

US00D524042S

(12) **United States Design Patent**  
**Lavine**

(10) **Patent No.:** **US D524,042 S**

(45) **Date of Patent:** **\*\* Jul. 4, 2006**

(54) **CELL PHONE HOLSTER**

(76) Inventor: **Christopher R. Lavine**, 205 Gainsville Dr., Warwick, RI (US) 02886

(\*\*) Term: **14 Years**

(21) Appl. No.: **29/228,996**

(22) Filed: **May 2, 2005**

(51) **LOC (8) Cl.** ..... **03-01**

(52) **U.S. Cl.** ..... **D3/218**

(58) **Field of Classification Search** ..... D3/218,  
D3/215, 222-223; 224/192-193, 245, 581-583,  
224/198, 624, 911; D2/627  
See application file for complete search history.

(56) **References Cited**

**U.S. PATENT DOCUMENTS**

5,358,159	A	*	10/1994	Lundie, Jr.	.....	224/624
5,361,953	A	*	11/1994	Nichols	.....	224/198
5,653,367	A	*	8/1997	Abramson	.....	224/581
D396,553	S	*	8/1998	Mecham et al.	.....	D3/218
D411,916	S	*	7/1999	Jackson	.....	D3/218

D467,727	S	12/2002	Kobayashi	.....	D3/218
D490,237	S	5/2004	Hardge	.....	D3/218

\* cited by examiner

*Primary Examiner*—Catherine R. Oliver  
(74) *Attorney, Agent, or Firm*—Slater & Michaelson

(57) **CLAIM**

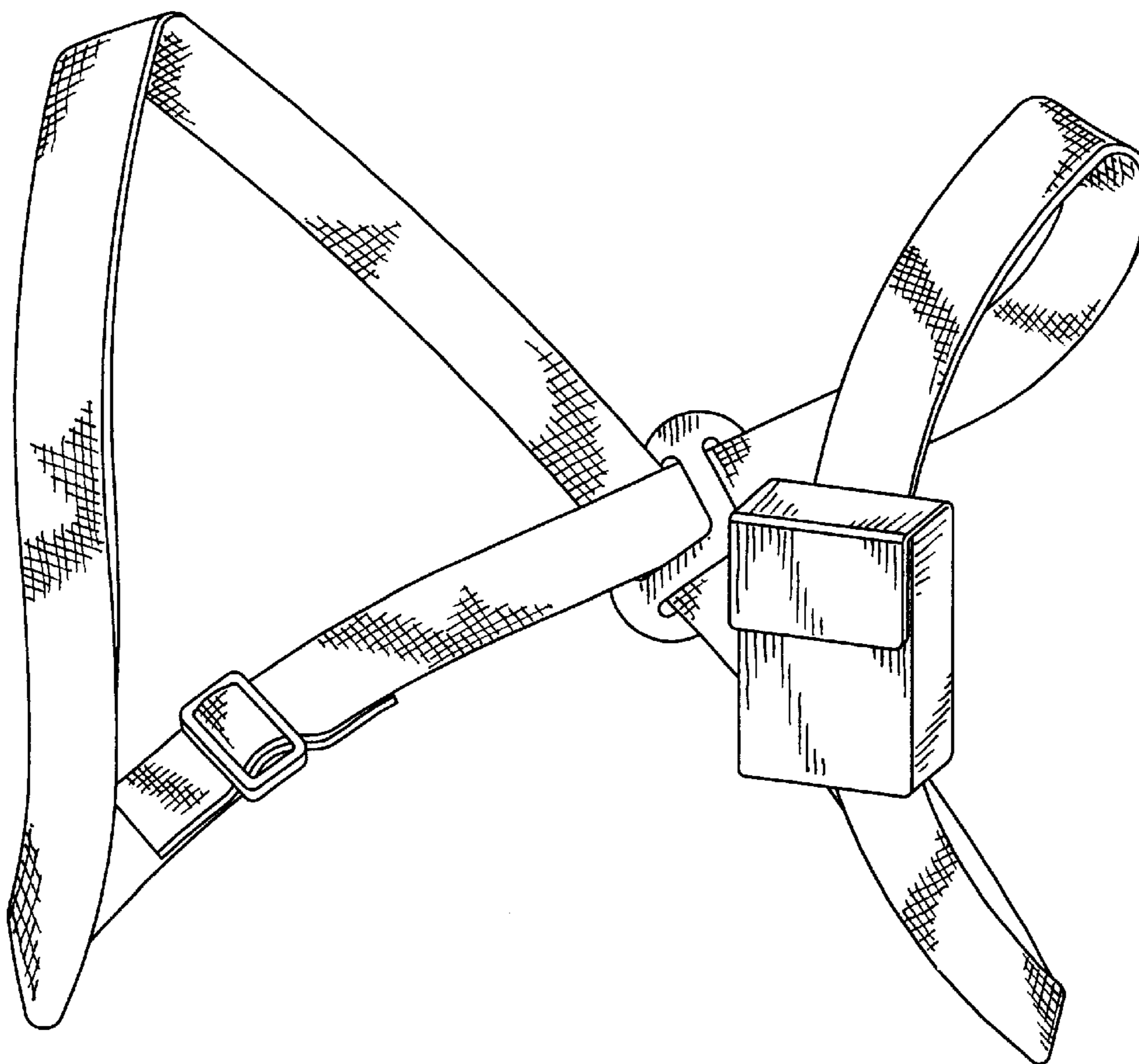
The ornamental design for a cell phone holster, as shown and described.

**DESCRIPTION**

FIG. 1 is a perspective view of a cell phone holster showing my new design in use;  
FIG. 2 is a perspective view thereof;  
FIG. 3 is a front elevational view thereof;  
FIG. 4 is a rear elevational view thereof;  
FIG. 5 is a top plan view thereof;  
FIG. 6 is a bottom plan view thereof;  
FIG. 7 is a right side elevational view thereof;  
FIG. 8 is a left side elevational view thereof; and,  
FIG. 9 is a perspective view thereof with the cell phone holder removed.

The portions shown in broken lines are included for illustrative purposes only and form no part of the claimed design.

**1 Claim, 6 Drawing Sheets**



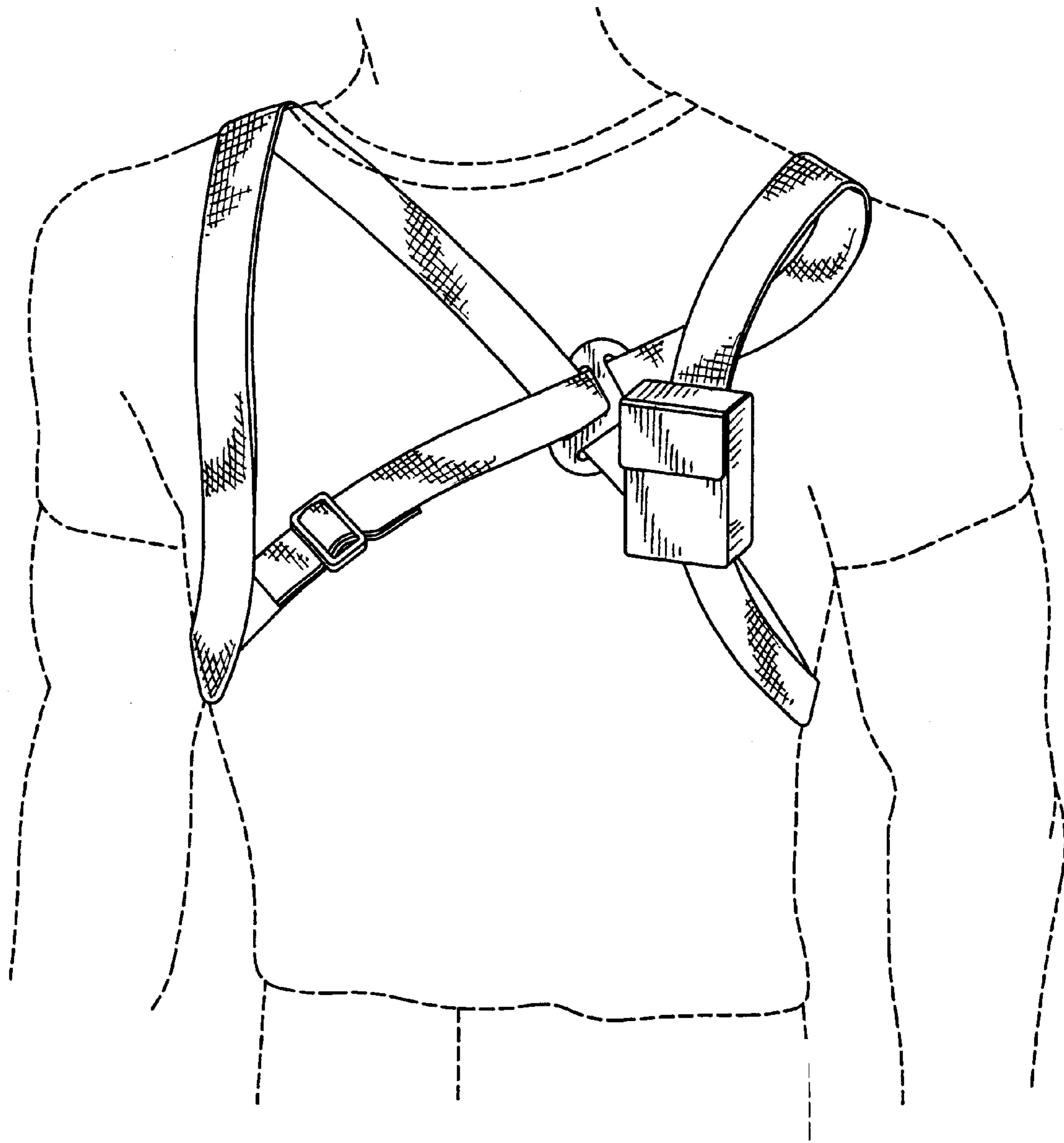


FIG. 1

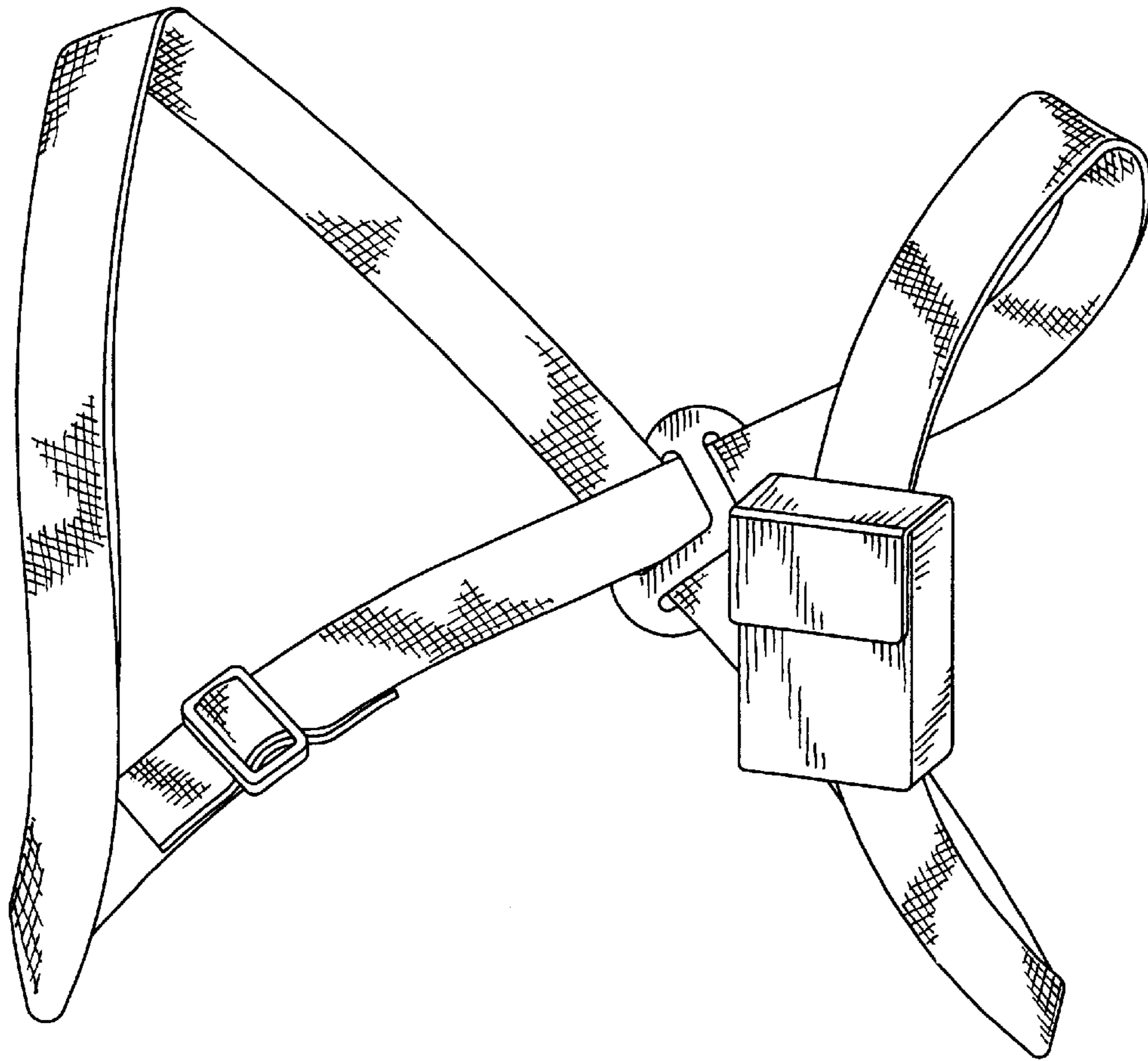


FIG. 2

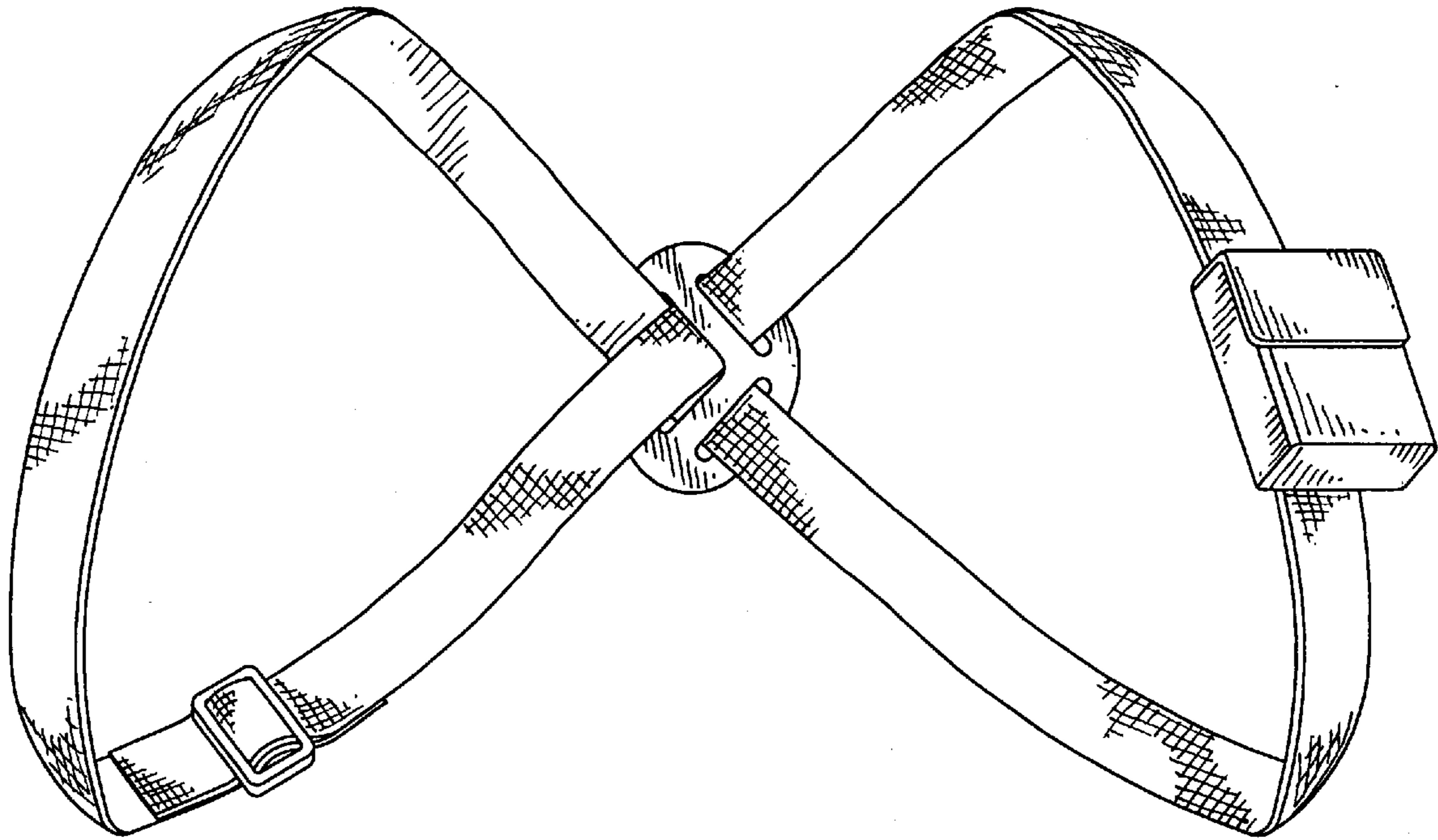


FIG. 3

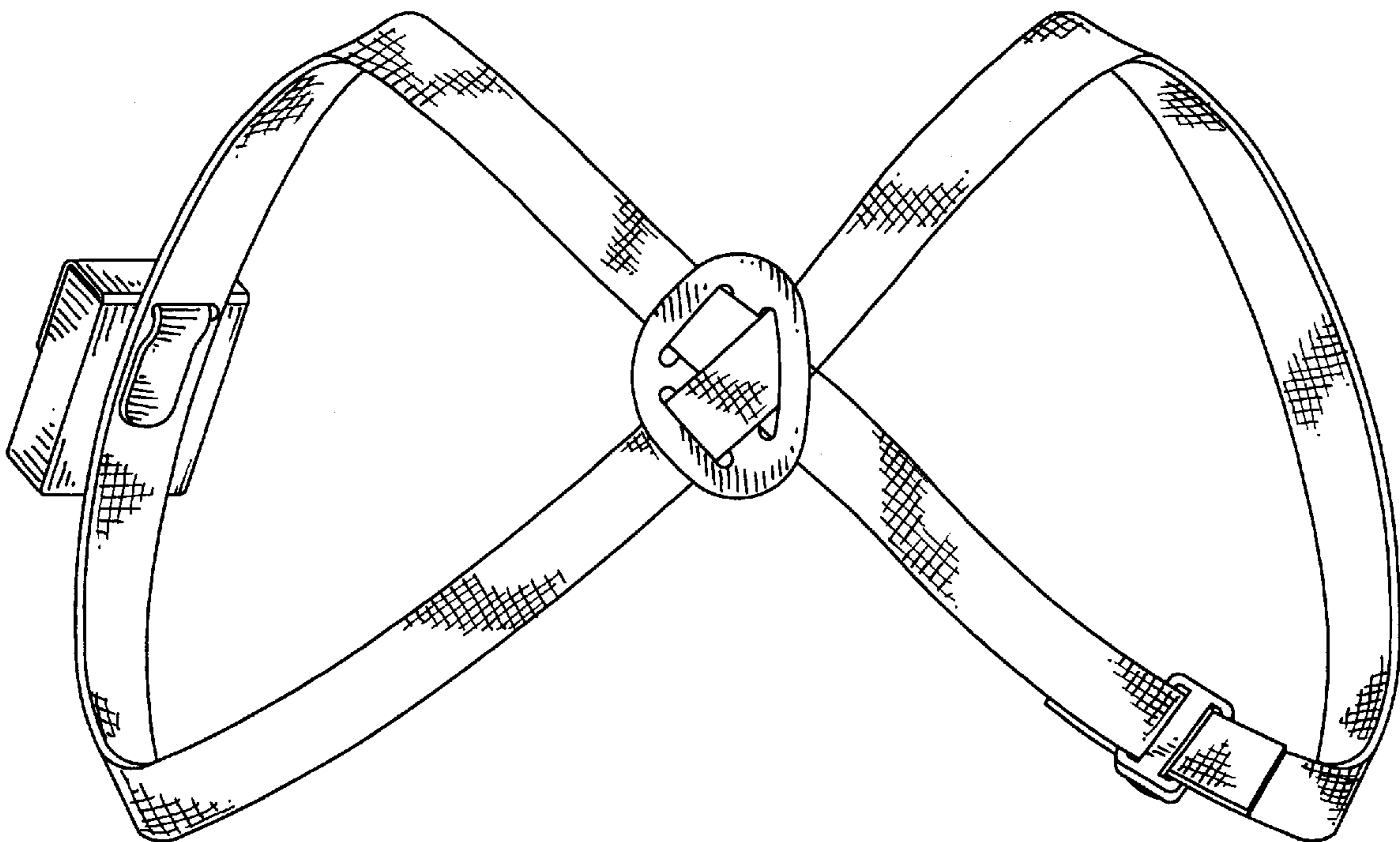


FIG. 4

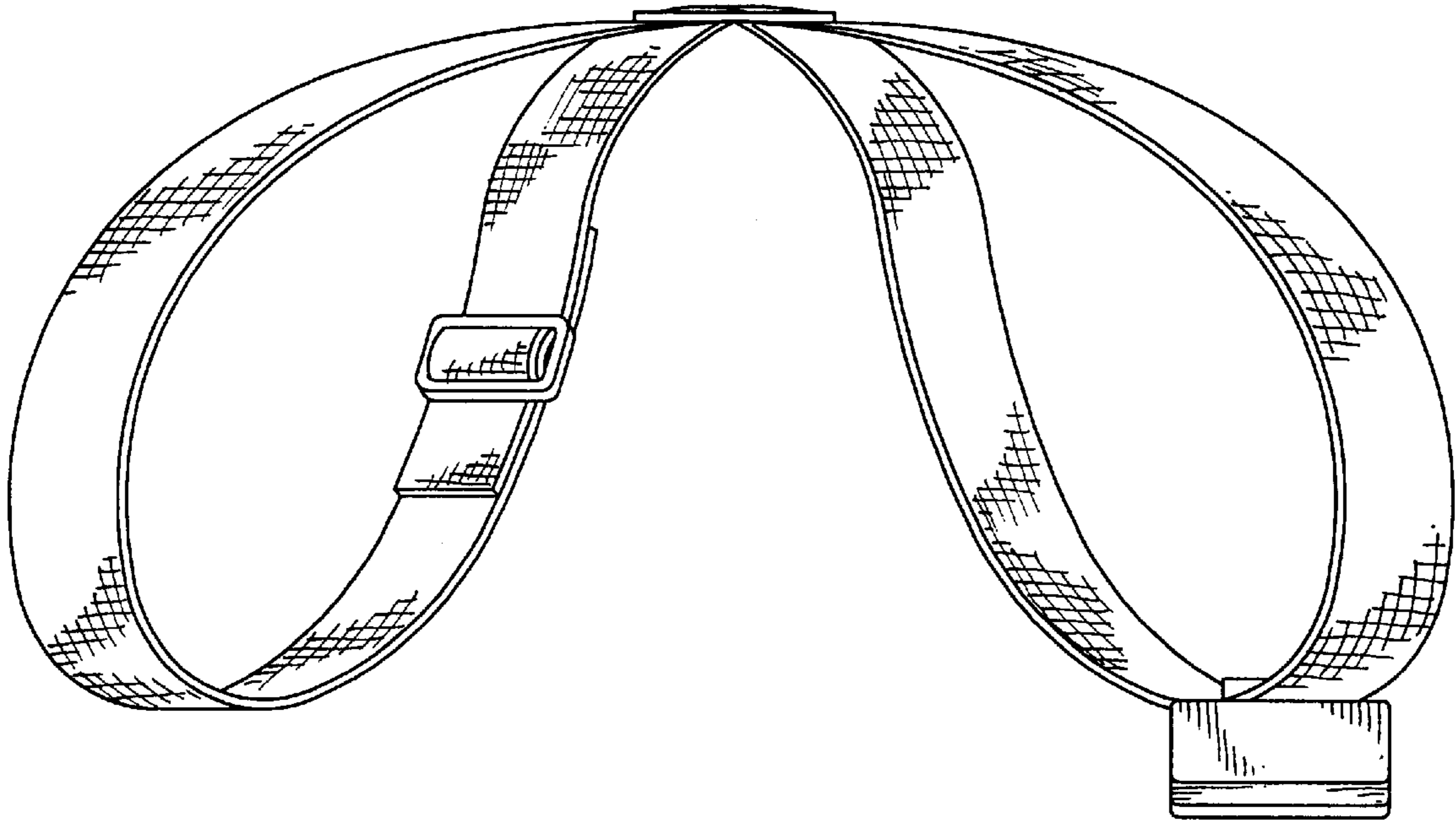


FIG. 5

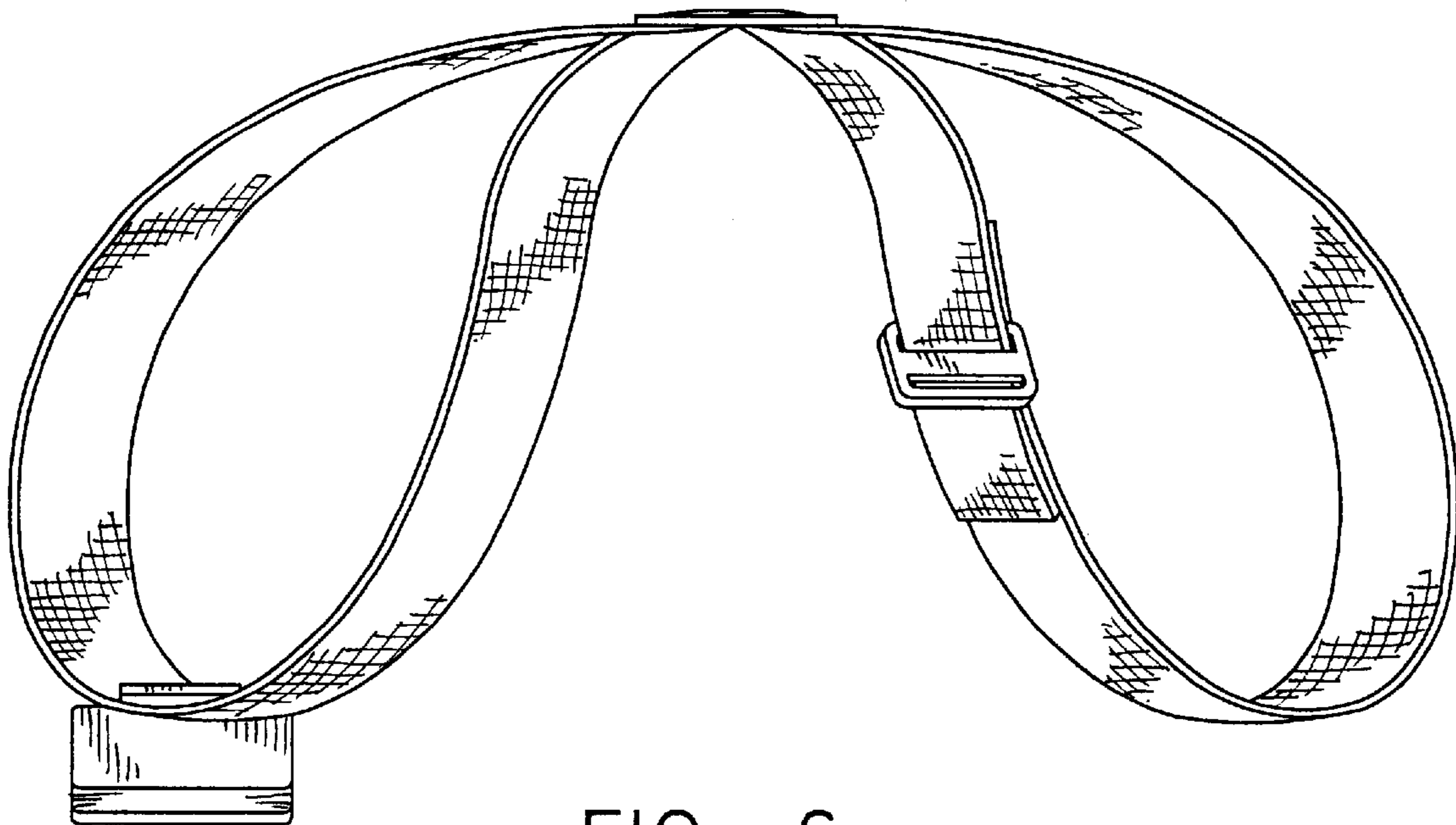


FIG. 6

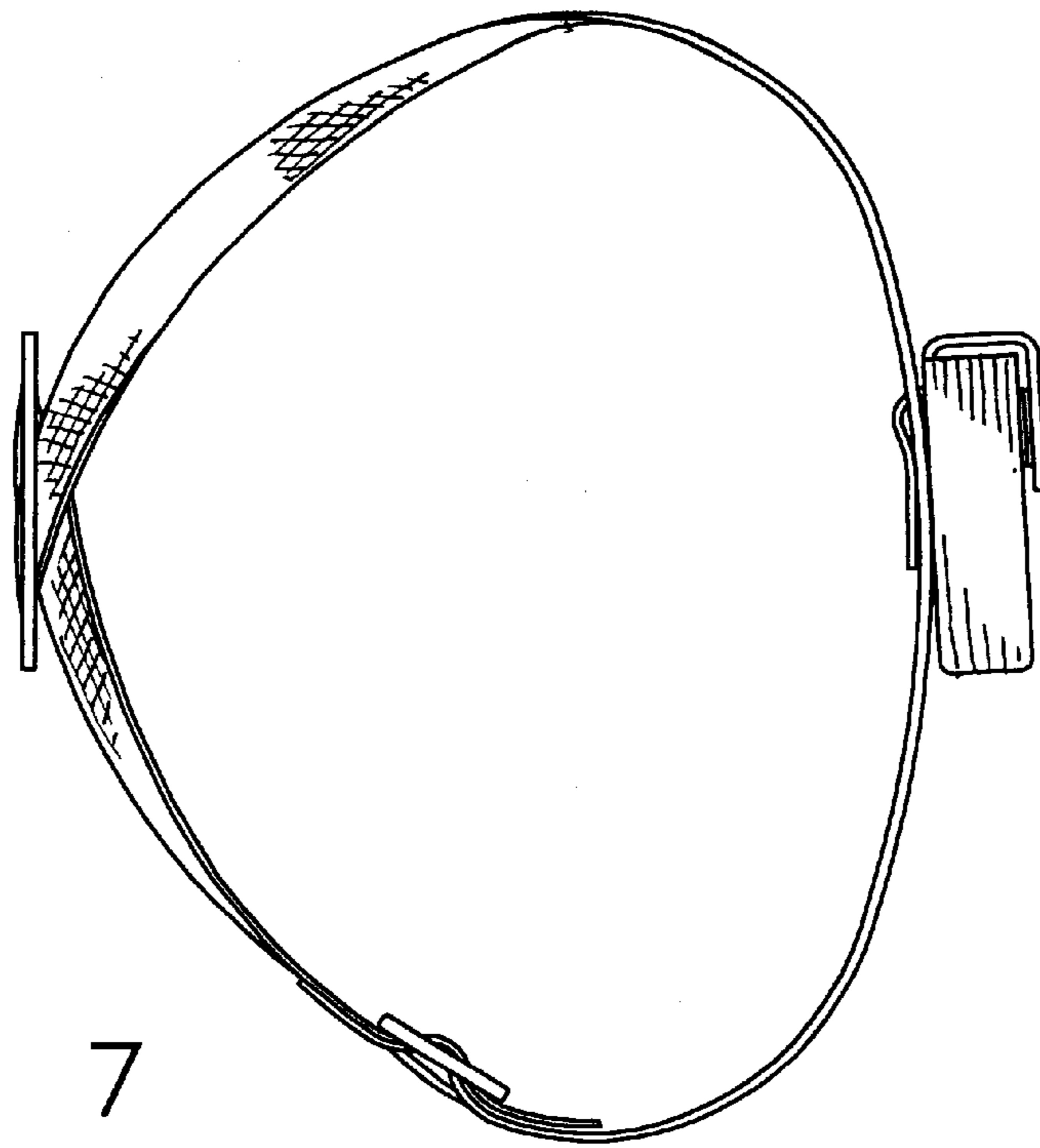


FIG. 7

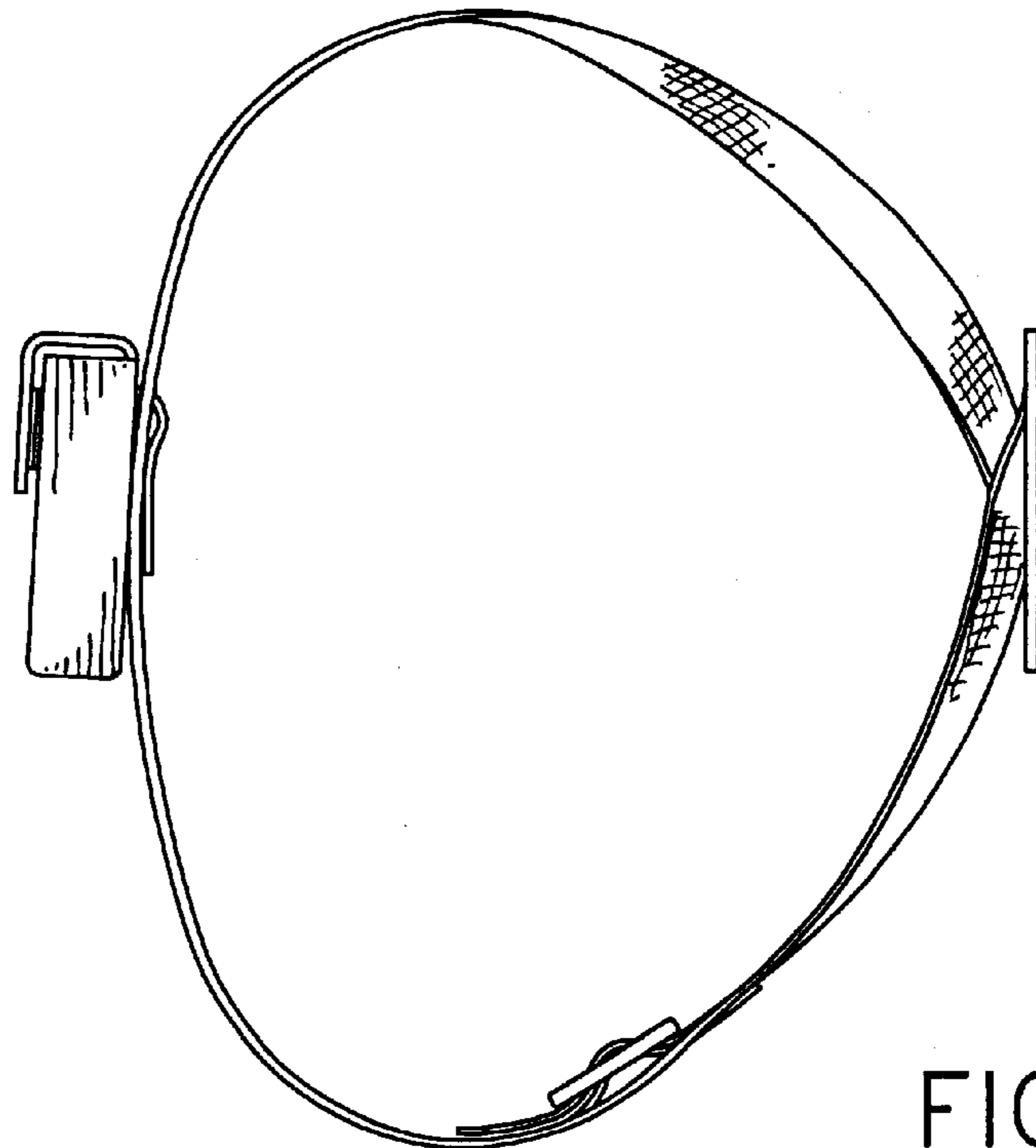


FIG. 8

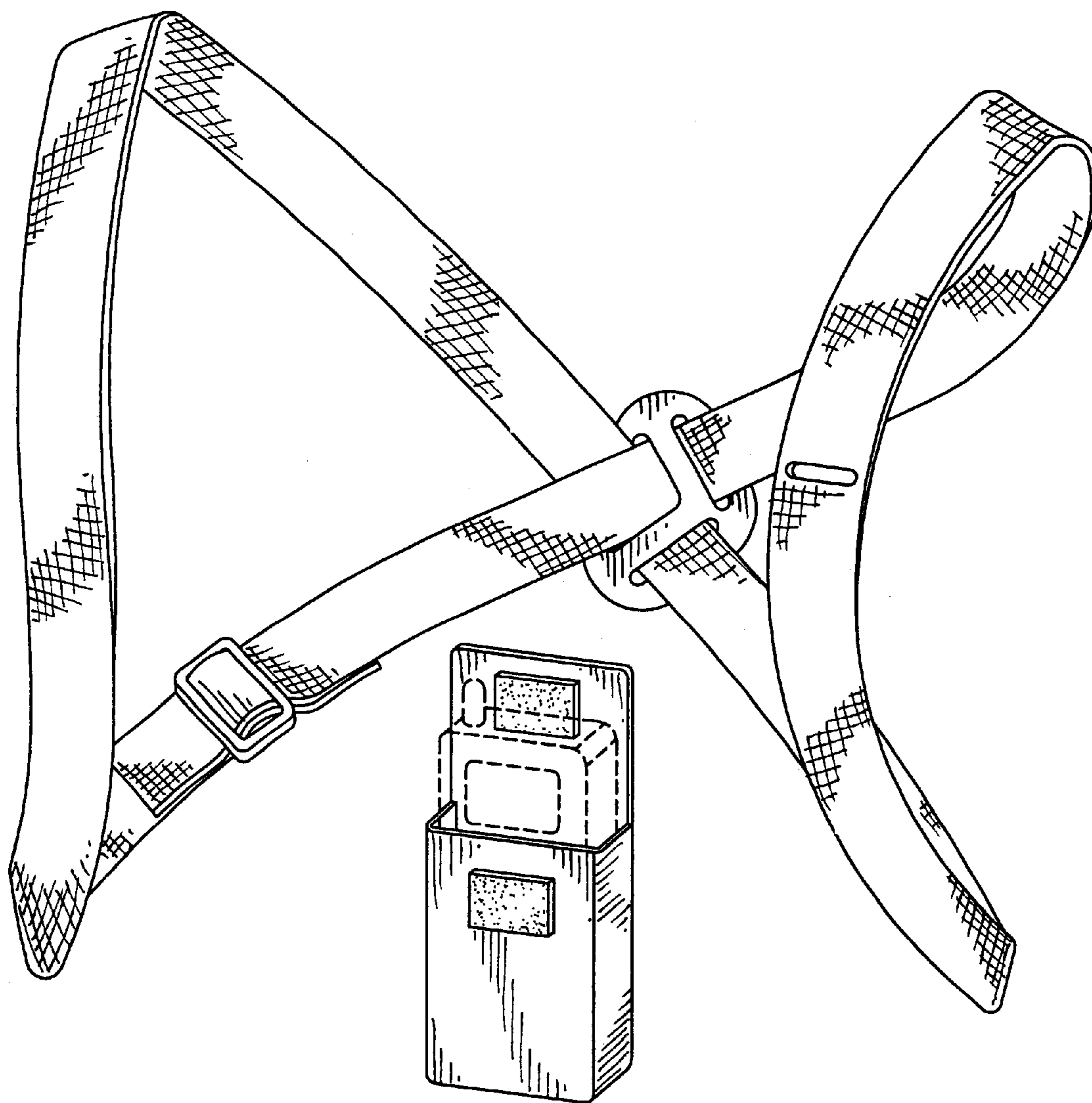


FIG. 9