



US00D524040S

(12) **United States Design Patent**
Badillo et al.

(10) **Patent No.:** **US D524,040 S**
(45) **Date of Patent:** **** Jul. 4, 2006**

(54) **CASE FOR ELECTRONIC DEVICES**

(75) Inventors: **Paul Badillo**, Littleton, CO (US);
Sandra Martinez, Littleton, CO (US)

(73) Assignee: **Intelligent Design 2000 Corp.**,
Commerce City, CO (US)

(**) Term: **14 Years**

(21) Appl. No.: **29/204,030**

(22) Filed: **Apr. 21, 2004**

Related U.S. Application Data

(63) Continuation-in-part of application No. 29/191,158, filed on
Oct. 1, 2003, now Pat. No. Des. 495,873.

(51) **LOC (8) Cl.** **03-01**

(52) **U.S. Cl.** **D3/218**

(58) **Field of Classification Search** D3/218,
D3/215, 219, 224, 226, 201, 205; 224/901,
224/904, 240-241, 676-681, 674; 206/320

See application file for complete search history.

(56) **References Cited**

U.S. PATENT DOCUMENTS

D435,722 S	*	1/2001	Pepping	D3/218
D458,019 S	*	6/2002	Gur et al.	D3/218
D472,372 S	*	4/2003	Hassett	D3/218
D472,373 S	*	4/2003	Hillman	D3/218
D486,304 S	*	2/2004	Brown	D3/218

OTHER PUBLICATIONS

U.S. Appl. No. 29/191,158, filed Oct. 2003, Badillo et al.*
Tamrac, 20th Anniversary Catalog, pp. 2, 40-44, 1998,
Tamrac, Inc.*

Targus, Digital Camera Cases Catalog, 2000, Targus, Inc.*

* cited by examiner

Primary Examiner—Catherine R. Oliver

(74) *Attorney, Agent, or Firm*—Sheridan Ross P.C.

(57) **CLAIM**

The ornamental design for a case for electronic devices, as
shown and described.

DESCRIPTION

FIG. 1 is a front perspective view of a case for electronic
devices, the broken lines representing environment and
forming no part of the claimed design.

FIG. 2 is a front elevation view of the invention illustrated
in FIG. 1;

FIG. 3 is a rear elevation view of the invention illustrated in
FIG. 1;

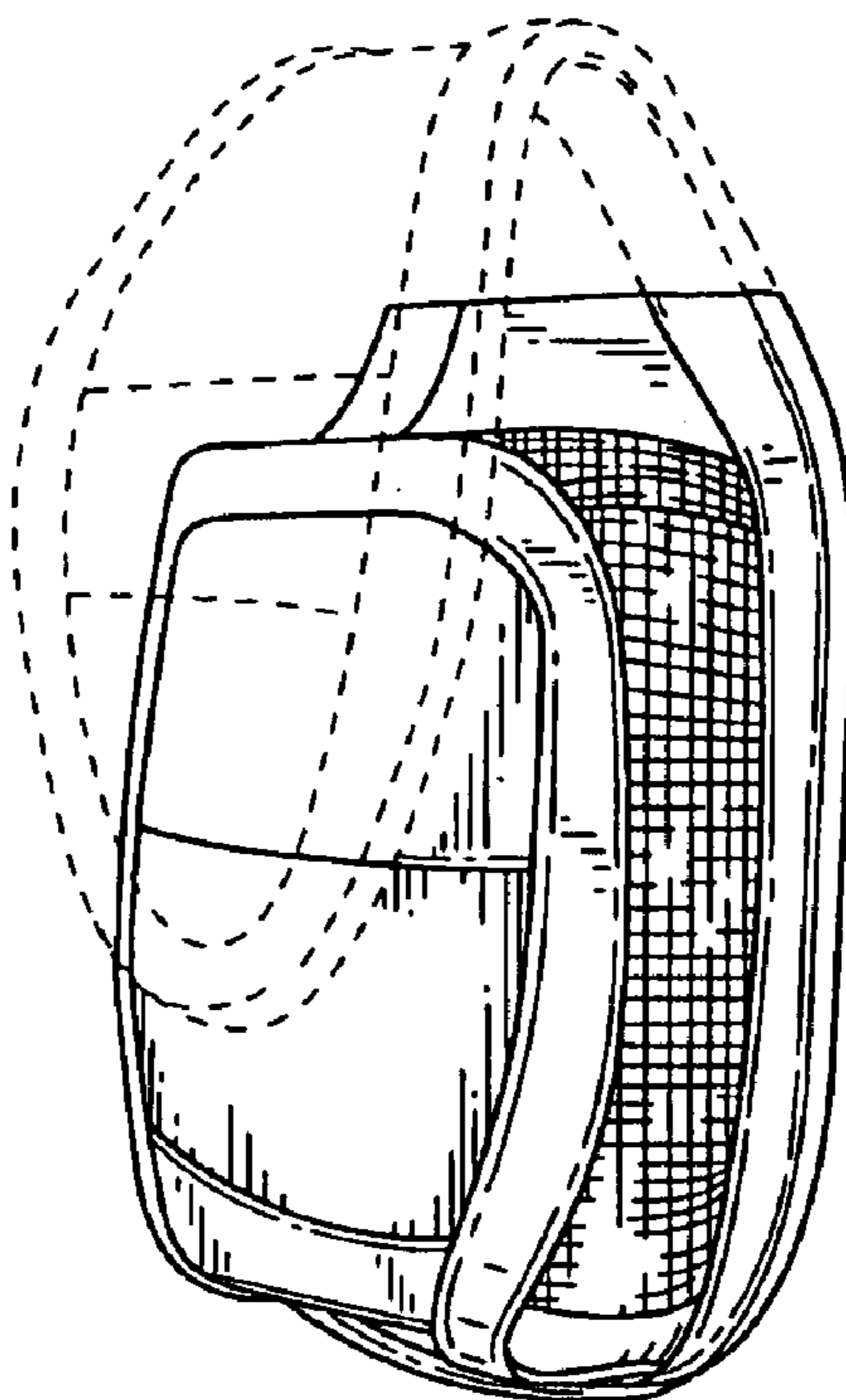
FIG. 4 is a right elevation view of the invention illustrated
in FIG. 1;

FIG. 5 is a left elevation view of the invention illustrated in
FIG. 1;

FIG. 6 is a top plan view of the invention illustrated in FIG.
1; and,

FIG. 7 is a bottom plan view of the invention illustrated in
FIG. 1.

1 Claim, 4 Drawing Sheets



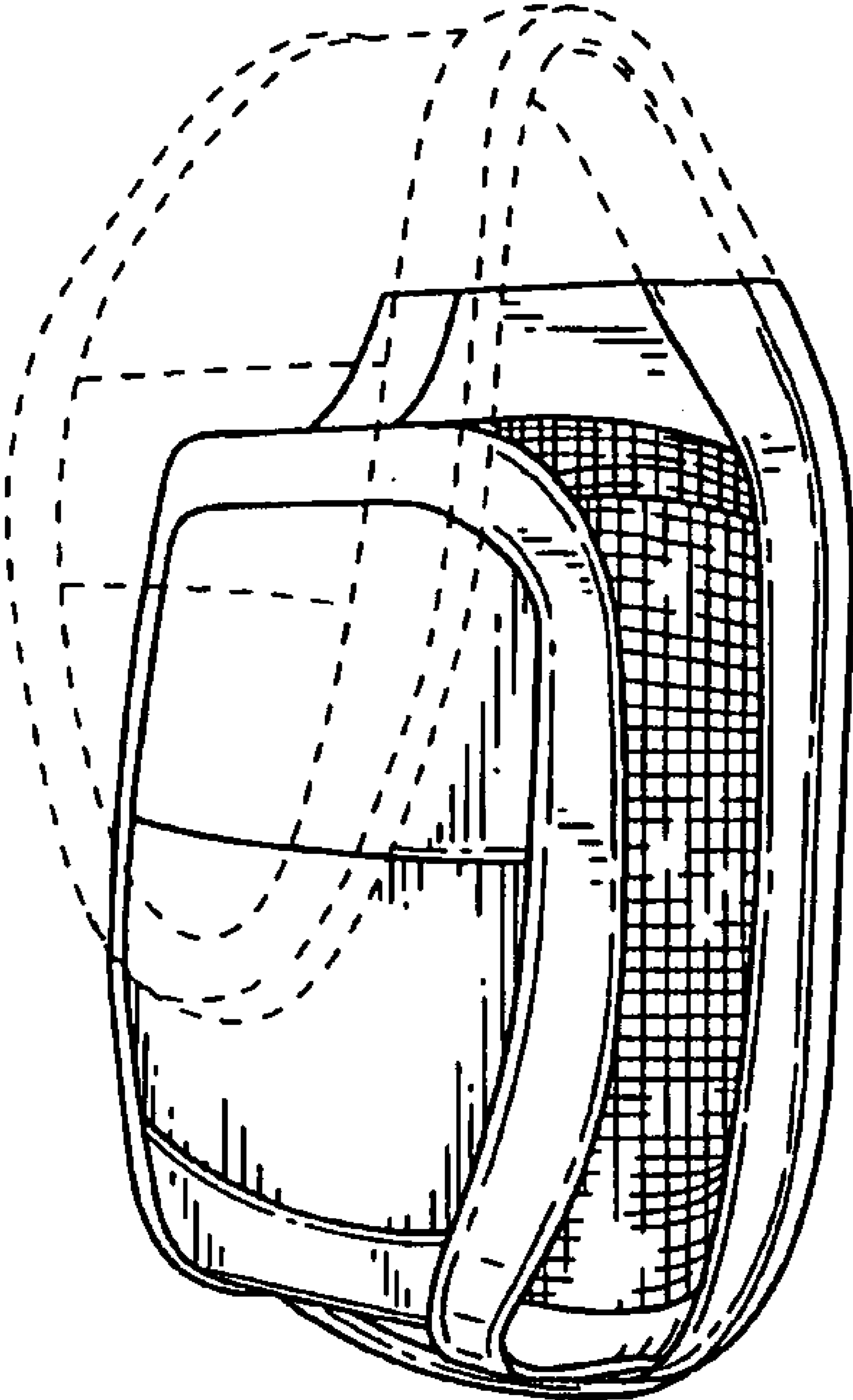


FIG. 1

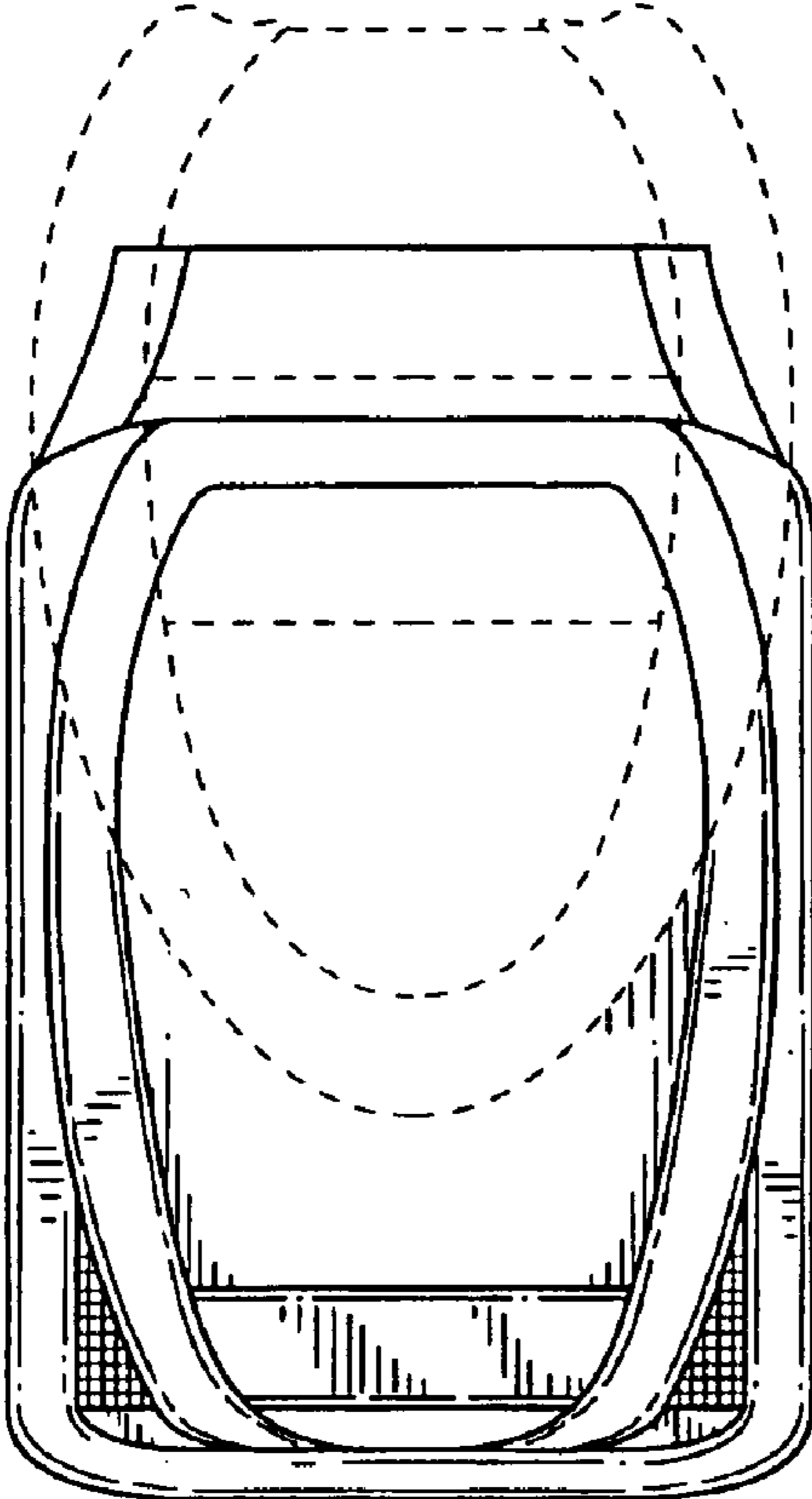


FIG. 2

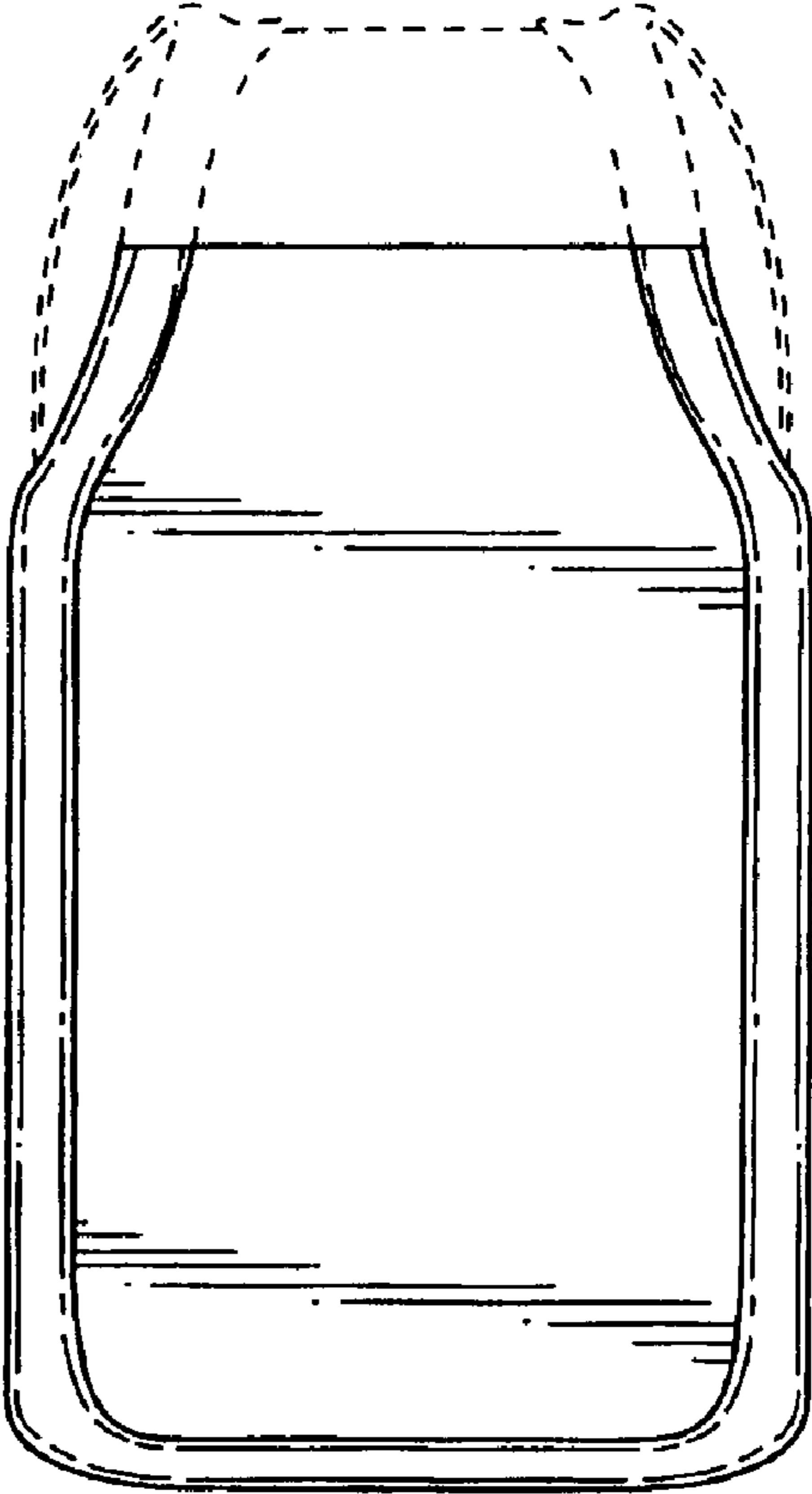


FIG. 3

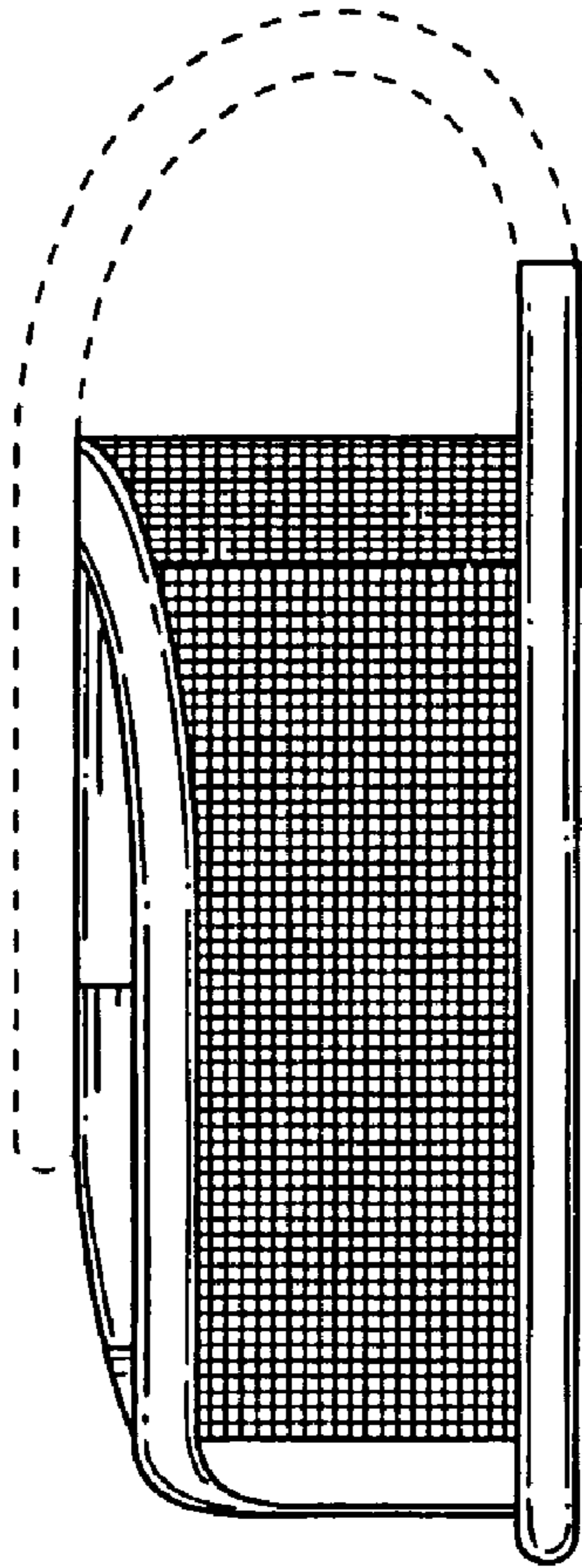


FIG.4

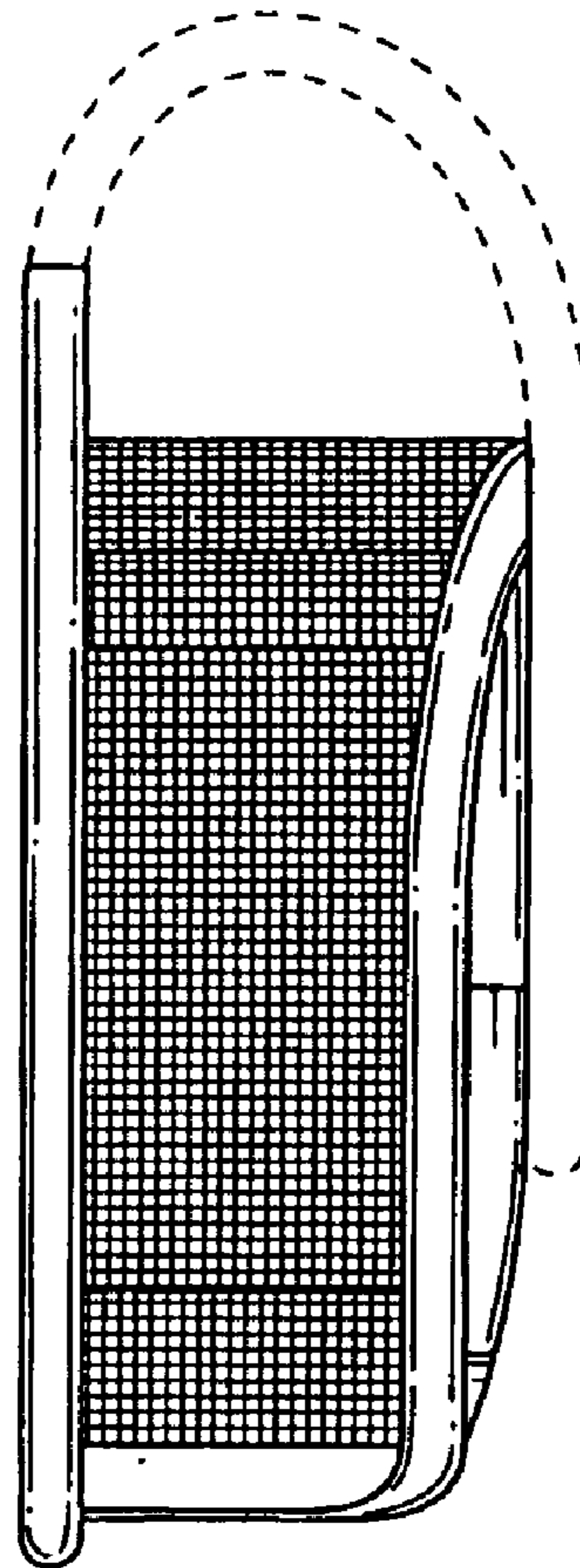


FIG.5

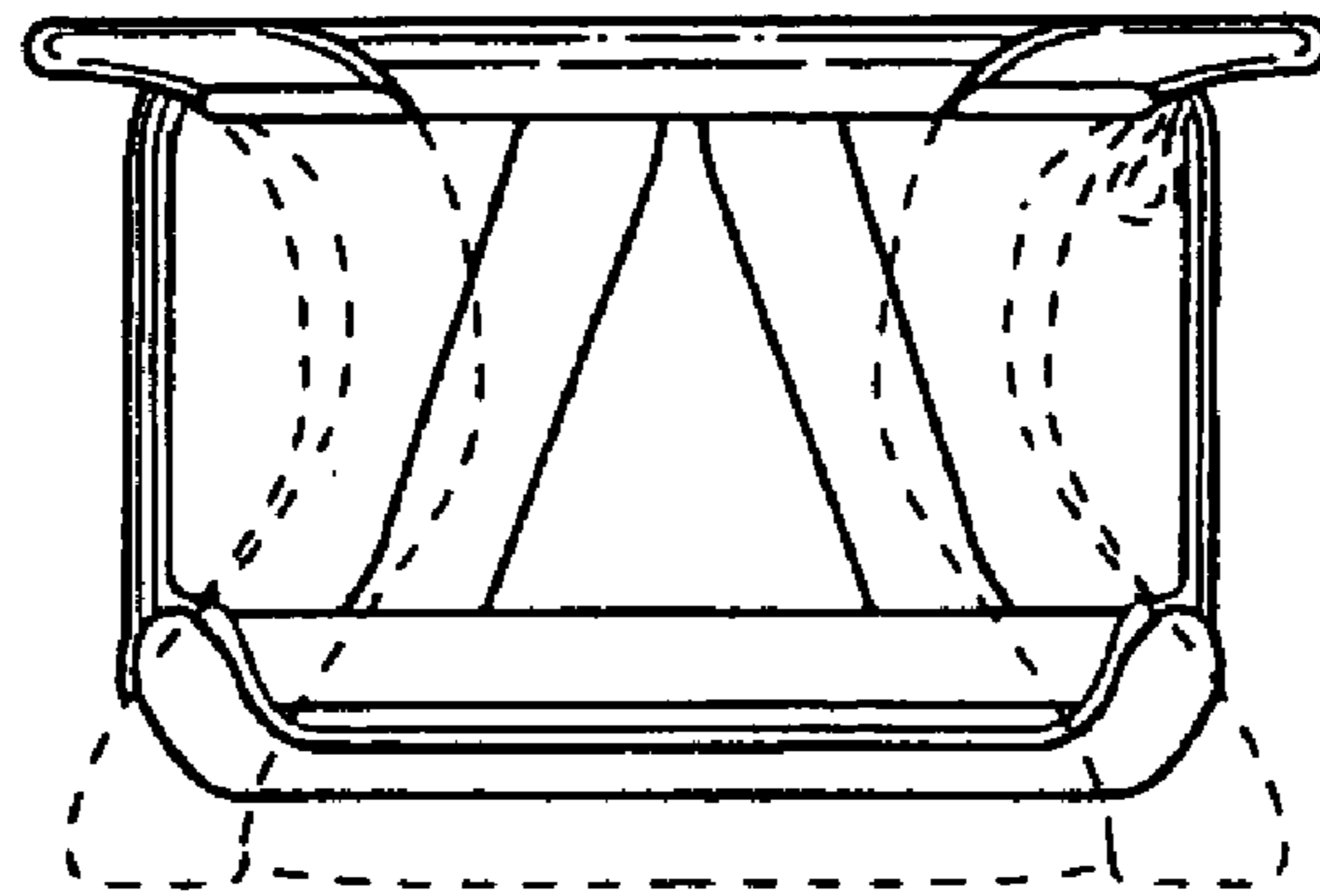


FIG. 6

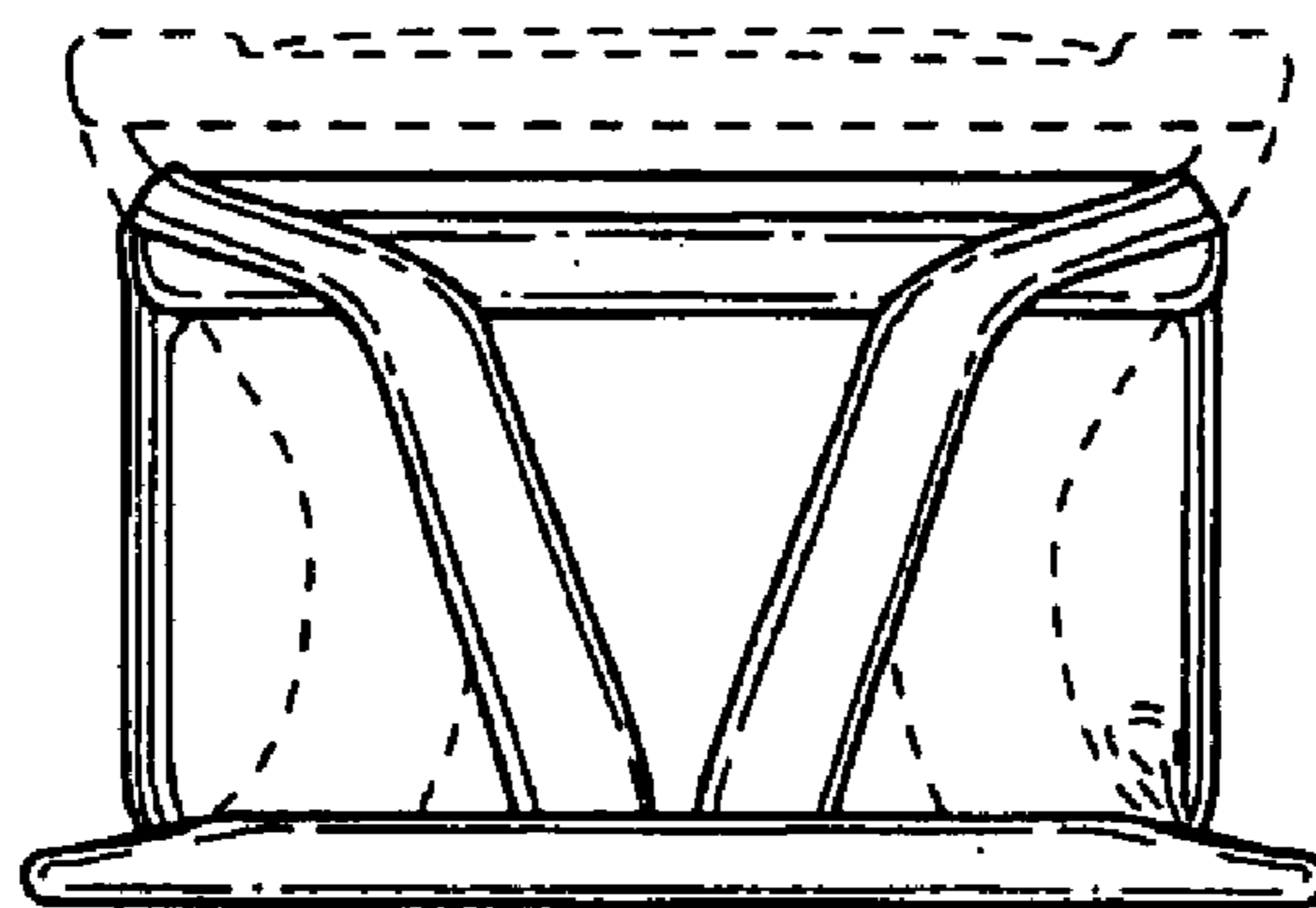


FIG. 7