



US00D524039S

(12) **United States Design Patent**
Guenther

(10) **Patent No.:** **US D524,039 S**

(45) **Date of Patent:** **** Jul. 4, 2006**

(54) **VEHICLE-SHAPED BACKPACK**

(76) **Inventor:** **Susan Stiles Guenther**, 30818
Marscillo Way, Westlake Village, CA
(US) 91362

(**) **Term:** **14 Years**

(21) **Appl. No.:** **29/199,321**

(22) **Filed:** **Feb. 13, 2004**

(51) **LOC (8) Cl.** **03-01**

(52) **U.S. Cl.** **D3/217; D3/216; D3/270**

(58) **Field of Classification Search** D3/270,
D3/216, 217, 242; 224/153, 155, 578, 582,
224/579, 636

See application file for complete search history.

(56) **References Cited**

U.S. PATENT DOCUMENTS

D256,188 S	*	8/1980	Davidson	D3/271.12
D269,826 S	*	7/1983	Ko	D3/235
4,753,346 A	*	6/1988	Tsuji	206/371
D299,898 S	*	2/1989	Pashley	D7/710
4,804,133 A	*	2/1989	Kiyokane	229/116.4
D314,311 S	*	2/1991	Cunningham	D7/710
D324,306 S	*	3/1992	Lin	D3/271.12
5,310,109 A	*	5/1994	Prime et al.	229/116.4
D348,151 S	*	6/1994	Acheson		
D348,154 S	*	6/1994	Pollack		
D350,228 S	*	9/1994	Poire		
D360,072 S	*	7/1995	Poire		
D365,925 S	*	1/1996	Roan		

D370,777 S	*	6/1996	Dahlke	D3/234
D379,481 S	*	5/1997	Johnson	D21/558
D386,399 S	*	11/1997	Stokely et al.	D9/675
D389,658 S	*	1/1998	Holt	D6/632
D391,733 S	*	3/1998	Williams		
D410,776 S	*	6/1999	Aganian	D3/271.12
D438,700 S	*	3/2001	Willingham et al.		
D447,339 S	*	9/2001	Rosmon	D3/271.12

* cited by examiner

Primary Examiner—Celia A. Murphy

(74) *Attorney, Agent, or Firm*—Birch, Stewart, Kolasch & Birch, LLP

(57) **CLAIM**

The ornamental design for a vehicle-shaped backpack, as shown and described.

DESCRIPTION

FIG. 1 is a rear, right perspective view of a vehicle-shaped backpack in the shape of a military vehicle showing my new design;

FIG. 2 is a right side view thereof, the left side view being a mirror image thereof;

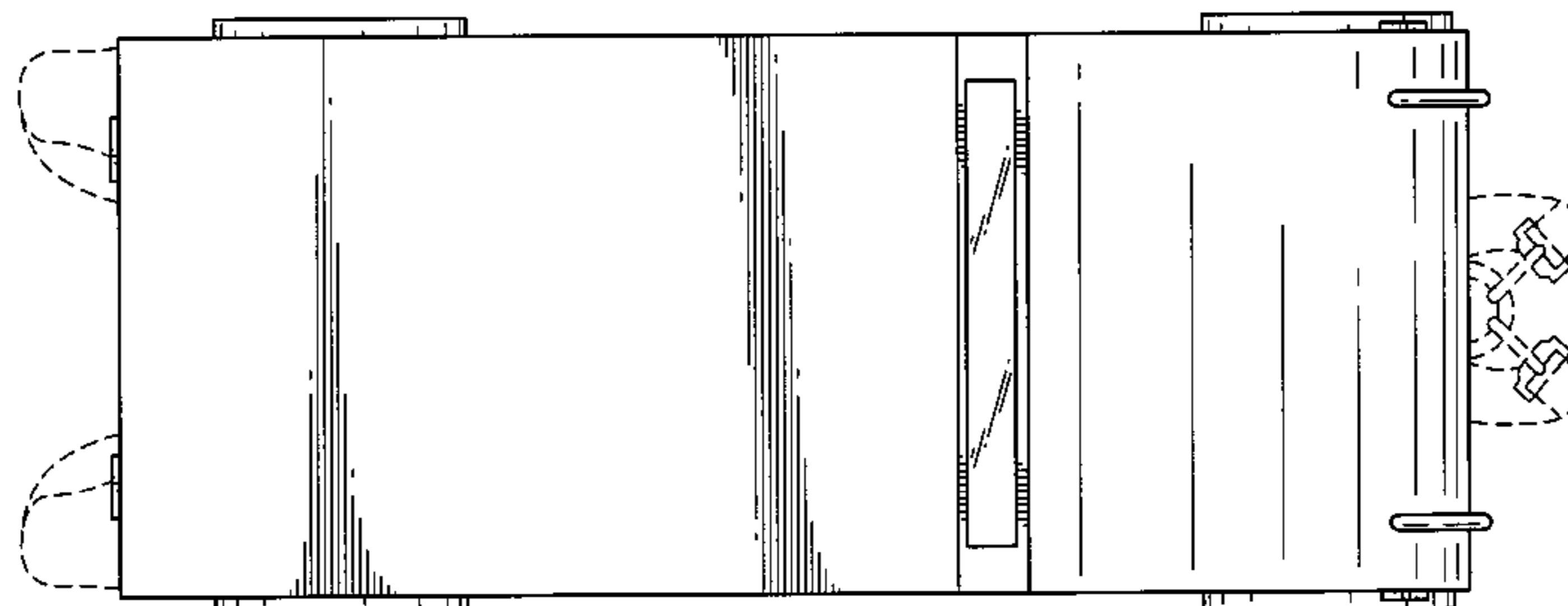
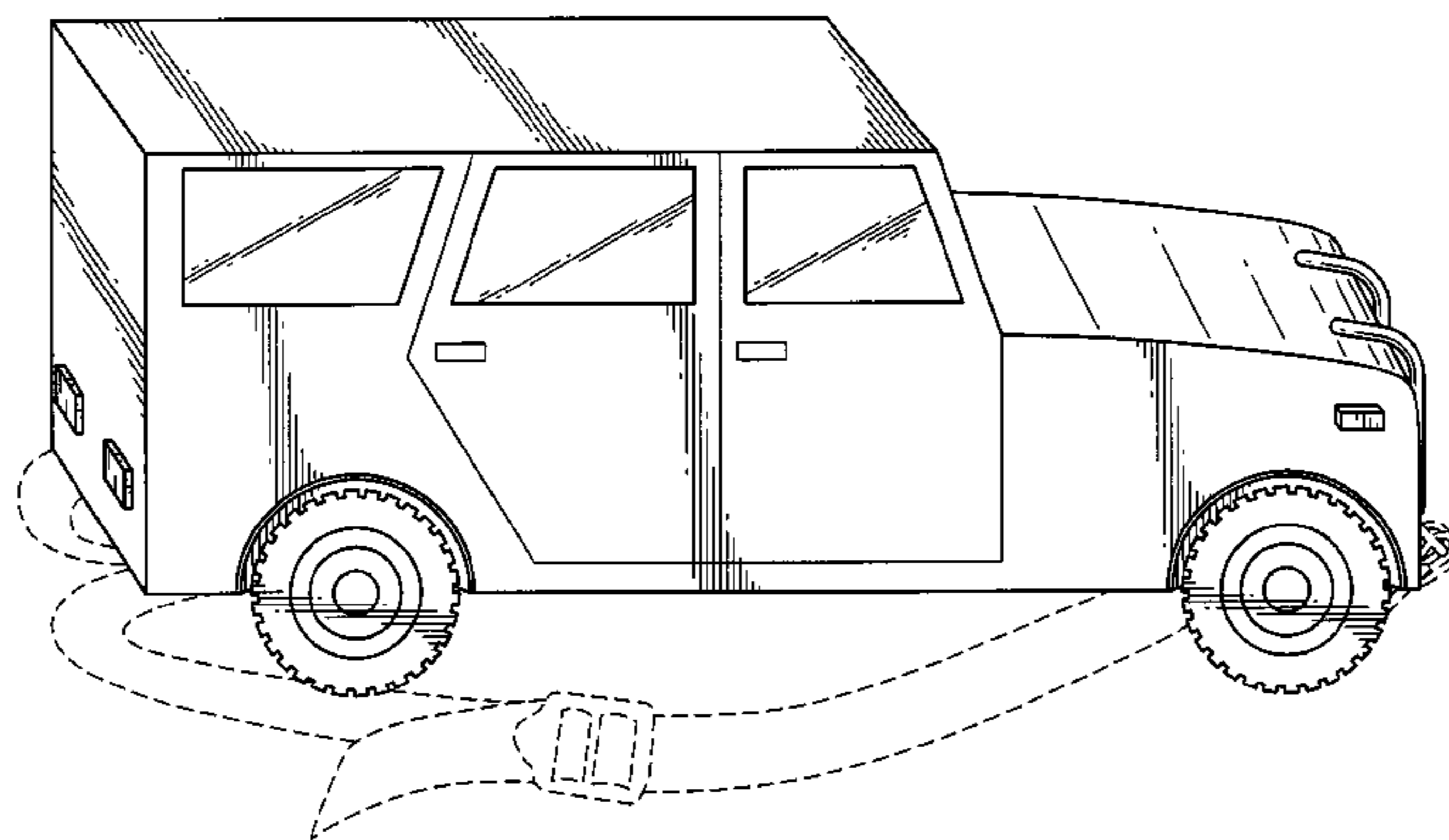
FIG. 3 is a front elevational view thereof;

FIG. 4 is a top plan view thereof; and,

FIG. 5 is a rear elevational view thereof.

The broken line showing in FIGS. 1, 2, 3, 4 and 5 forms no part of the claimed invention. The straps, the vehicle shaped backpack bottom and the wheel thickness are not claimed.

1 Claim, 3 Drawing Sheets



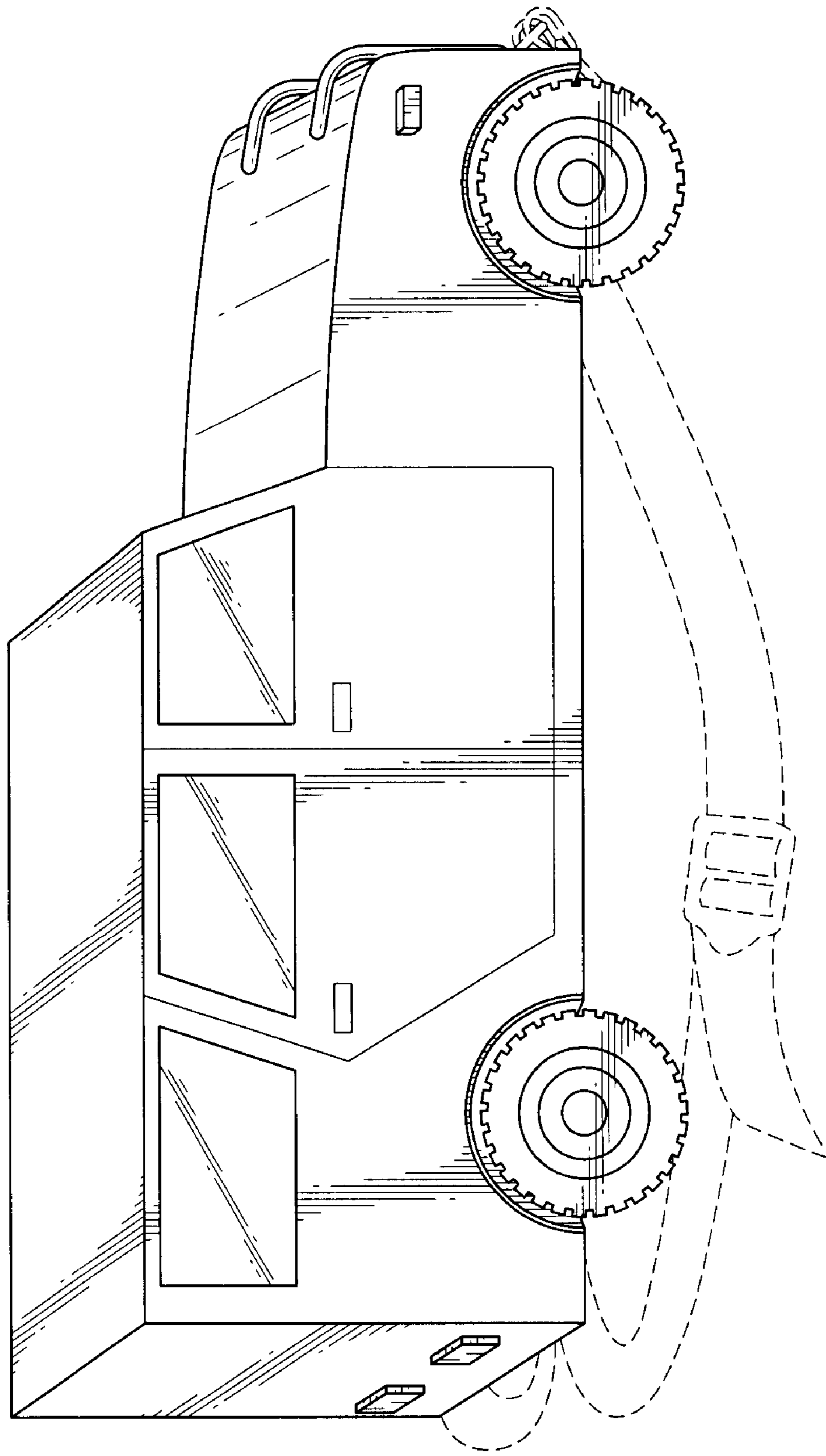


FIG.1

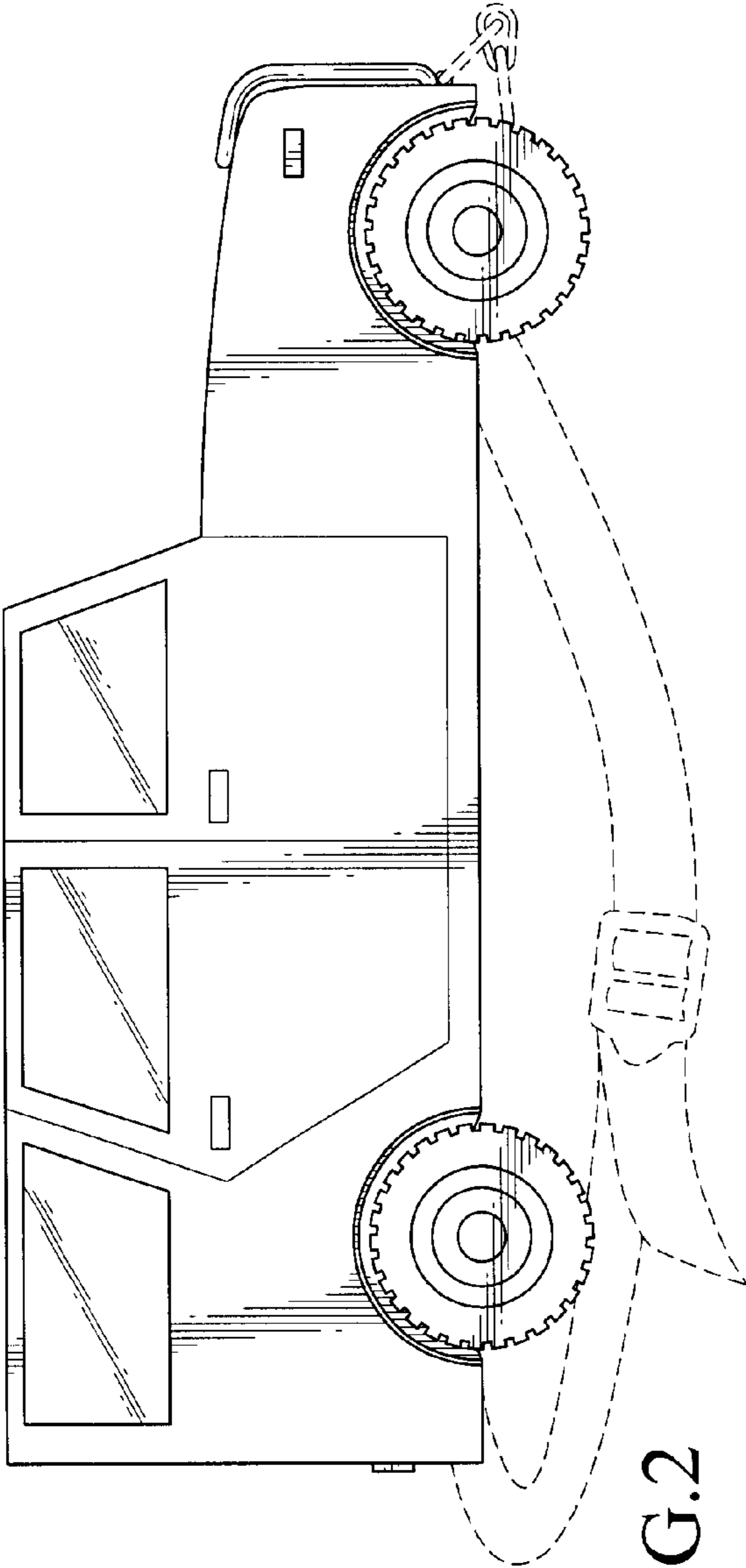


FIG. 2

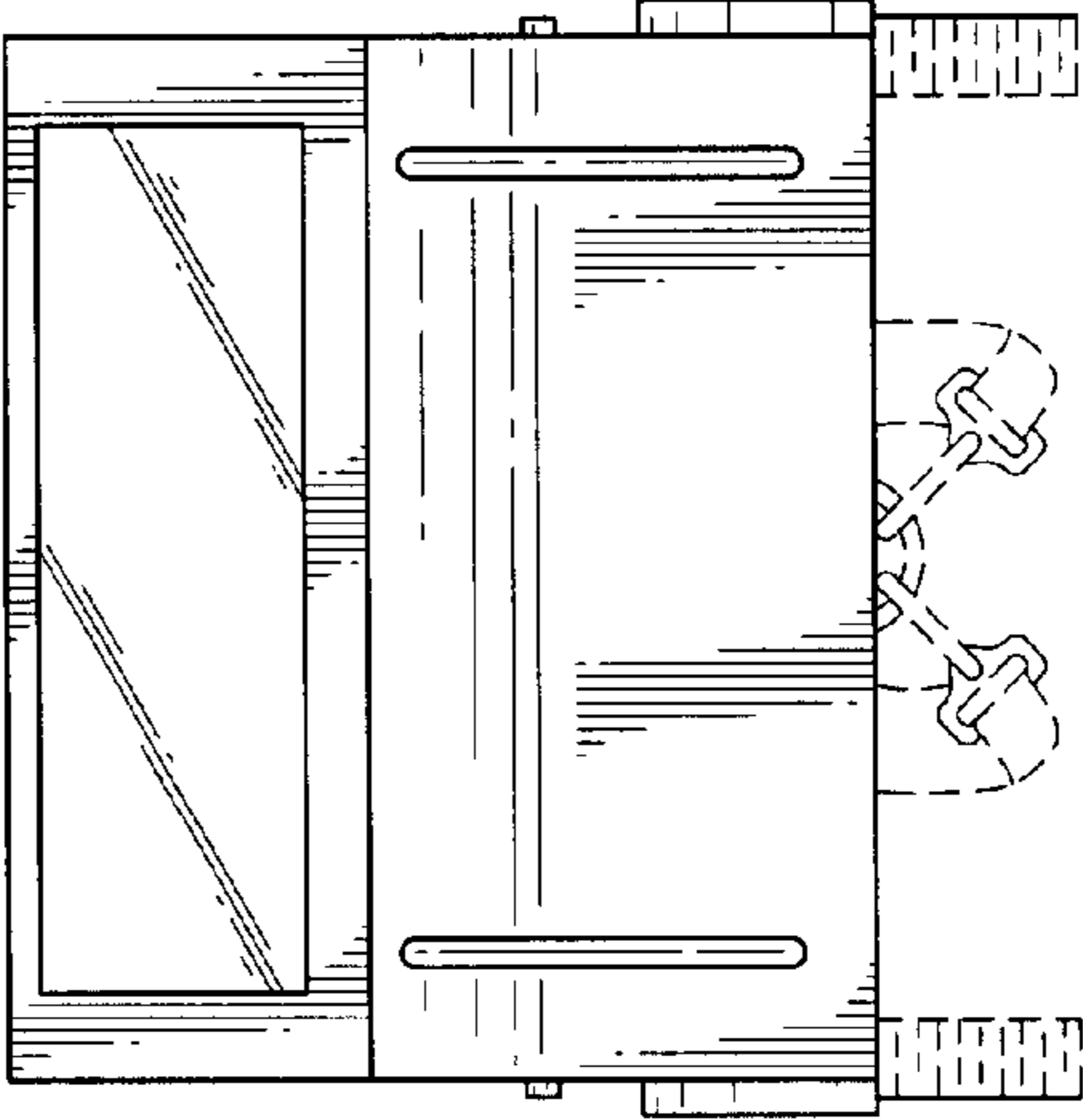


FIG. 3

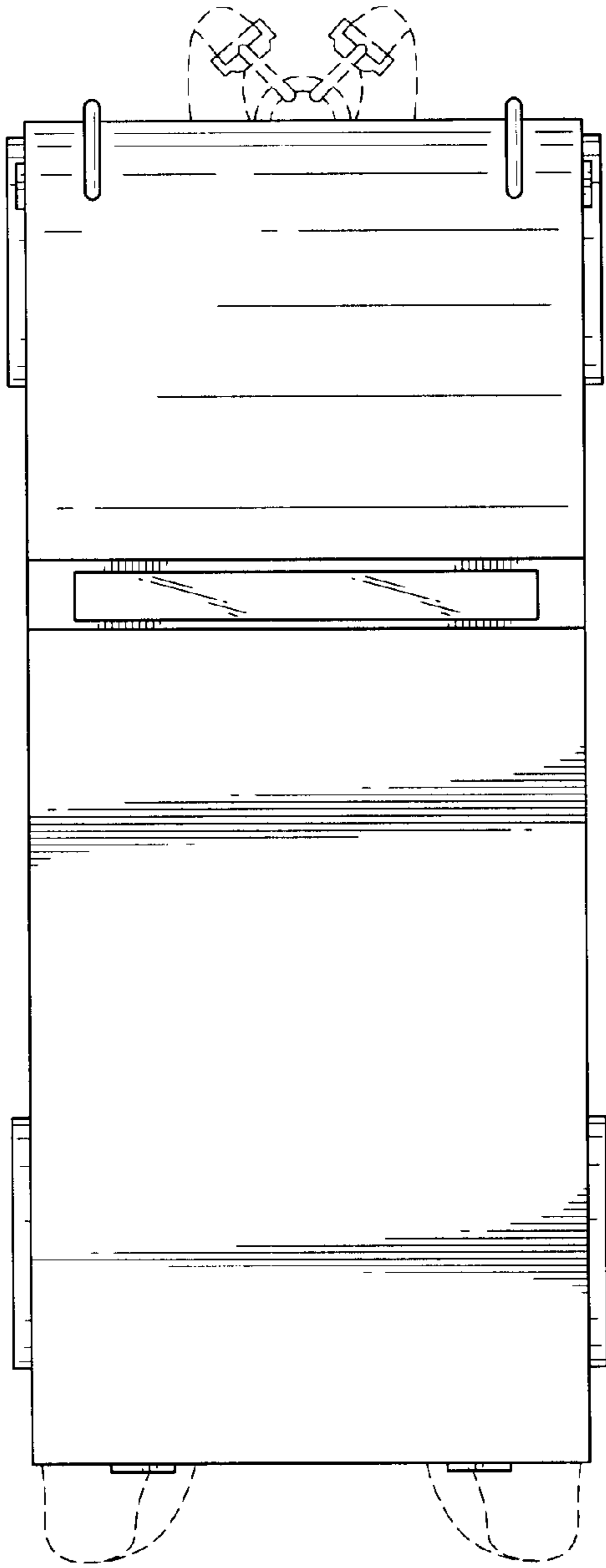


FIG. 4

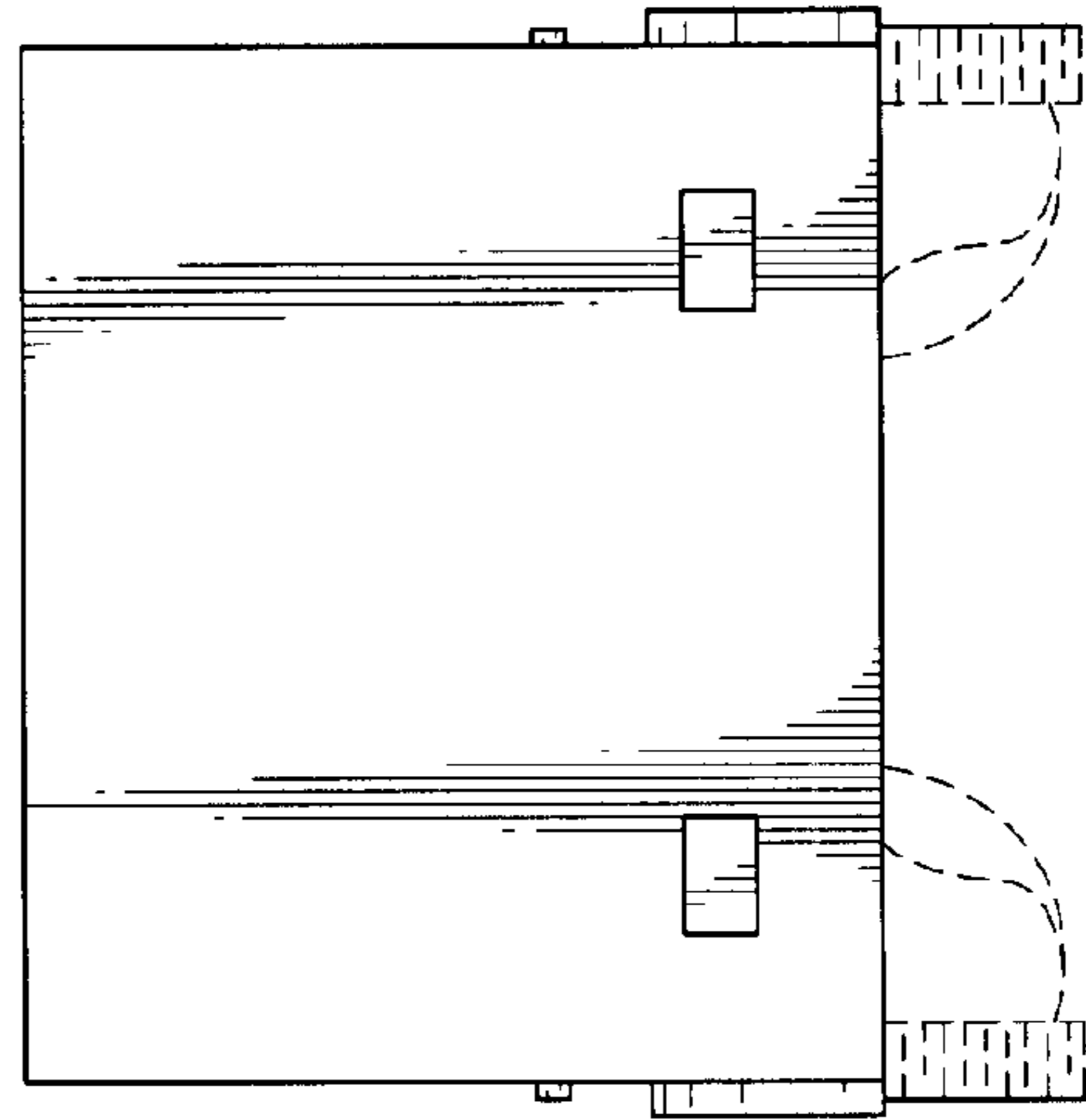


FIG. 5