



US00D524014S

(12) **United States Design Patent**
Park

(10) **Patent No.:** **US D524,014 S**

(45) **Date of Patent:** **** Jul. 4, 2006**

(54) **SANDWICH HEADBAND**

(75) Inventor: **Su Jung Park**, Seoul (KR)

(73) Assignee: **DADA Corp.**, Seoul (KR)

(**) Term: **14 Years**

(21) Appl. No.: **29/214,989**

(22) Filed: **Oct. 13, 2004**

(51) **LOC (8) Cl.** **02-03**

(52) **U.S. Cl.** **D2/894**

(58) **Field of Classification Search** D2/865,
D2/869, 872, 876, 879, 882, 886, 893, 894;
2/171.1, 172, 175.1, 175.3, 175.5, 181, 182.1,
2/181.6, 184, 181.4, 195.1–195.3, 195.6,
2/195.7, 209.12, 209.3, 209.4; 24/30.5 R;
359/519

See application file for complete search history.

(56) **References Cited**

U.S. PATENT DOCUMENTS

3,280,406	A	*	10/1966	Immel	2/181
4,481,681	A		11/1984	Hankin		
4,601,538	A	*	7/1986	Valkenburg	359/519
5,005,264	A	*	4/1991	Breen	24/30.5 R
5,146,630	A		9/1992	Richard		
5,377,360	A		1/1995	Fleitman		
5,613,248	A		3/1997	Young		
6,115,844	A	*	9/2000	Cho	2/181
6,477,715	B1	*	11/2002	Shin	2/181.4

6,625,818	B1	*	9/2003	Putnam	2/181
D493,026	S	*	7/2004	Park	D2/894
6,817,035	B1	*	11/2004	Park	2/181
6,895,601	B1	*	5/2005	Park	2/181
6,928,659	B1	*	8/2005	Lee	2/175.1
6,928,660	B1	*	8/2005	Park	2/181

* cited by examiner

Primary Examiner—Robert M. Spear

Assistant Examiner—Mary Ann Calabrese

(57) **CLAIM**

The ornamental design for a sandwich headband, as shown and described.

DESCRIPTION

FIG. 1 is a partial perspective view of a sandwich headband showing my new design;

FIG. 2 is a partial rear elevational view of FIG. 1;

FIG. 3 is a bottom plan view FIG. 1;

FIG. 4 is a enlarged partial front elevational view of a sandwich headband showing my new design;

FIG. 5 is a enlarged partial rear elevational view of FIG. 4; and,

FIG. 6 is a enlarged sectional view of a sandwich headband, magnifying section 6—6, according to FIG. 4.

The broken line showing of a cap and the visor is for illustrative purposes only and forms no part of the claimed design; the broken lines on the sandwich headband represent stitching, which forms part of the claimed design.

1 Claim, 3 Drawing Sheets

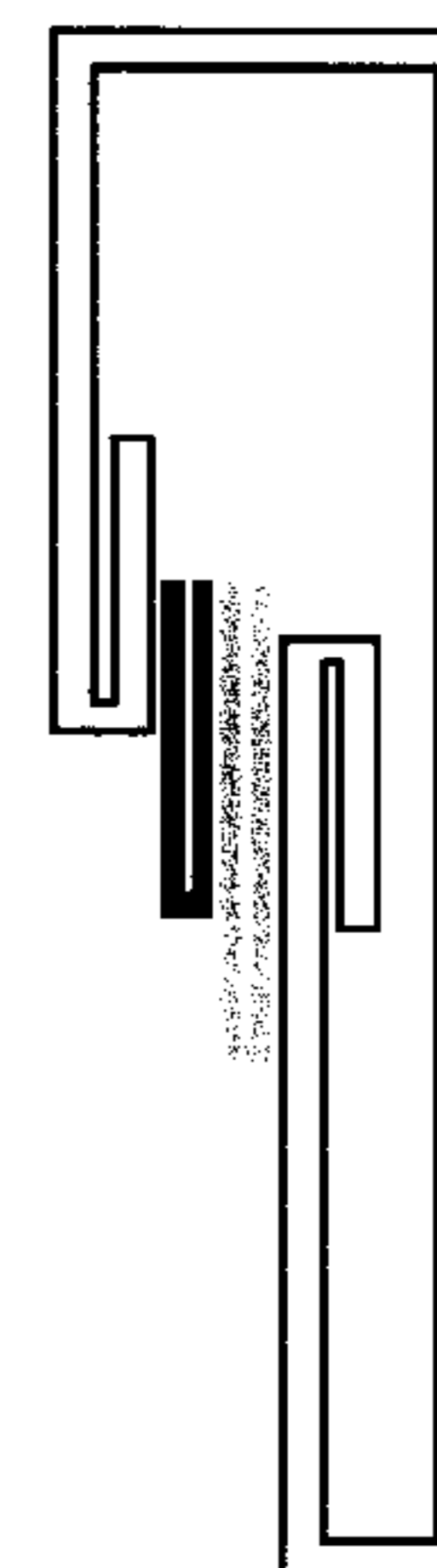
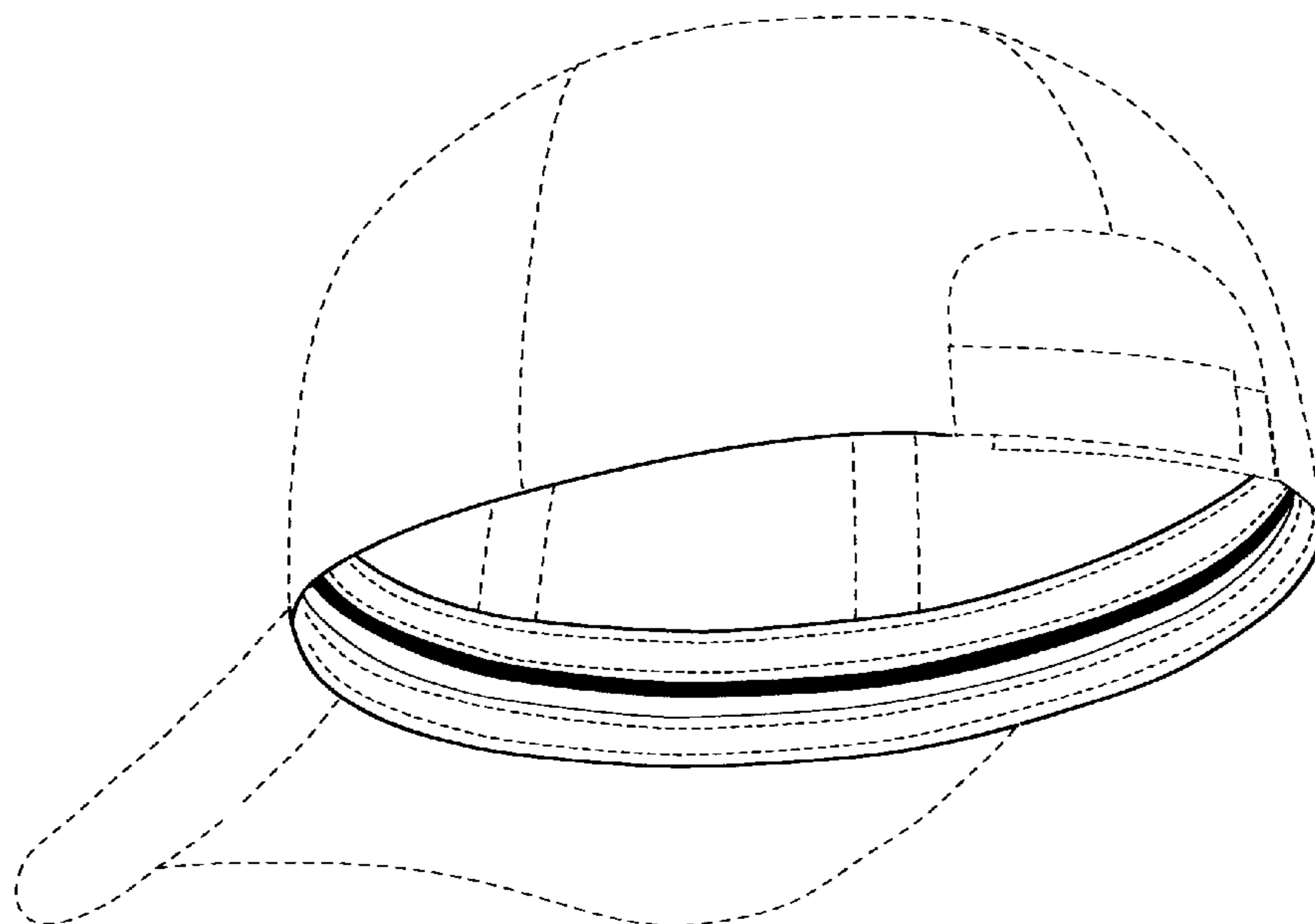


FIG.1

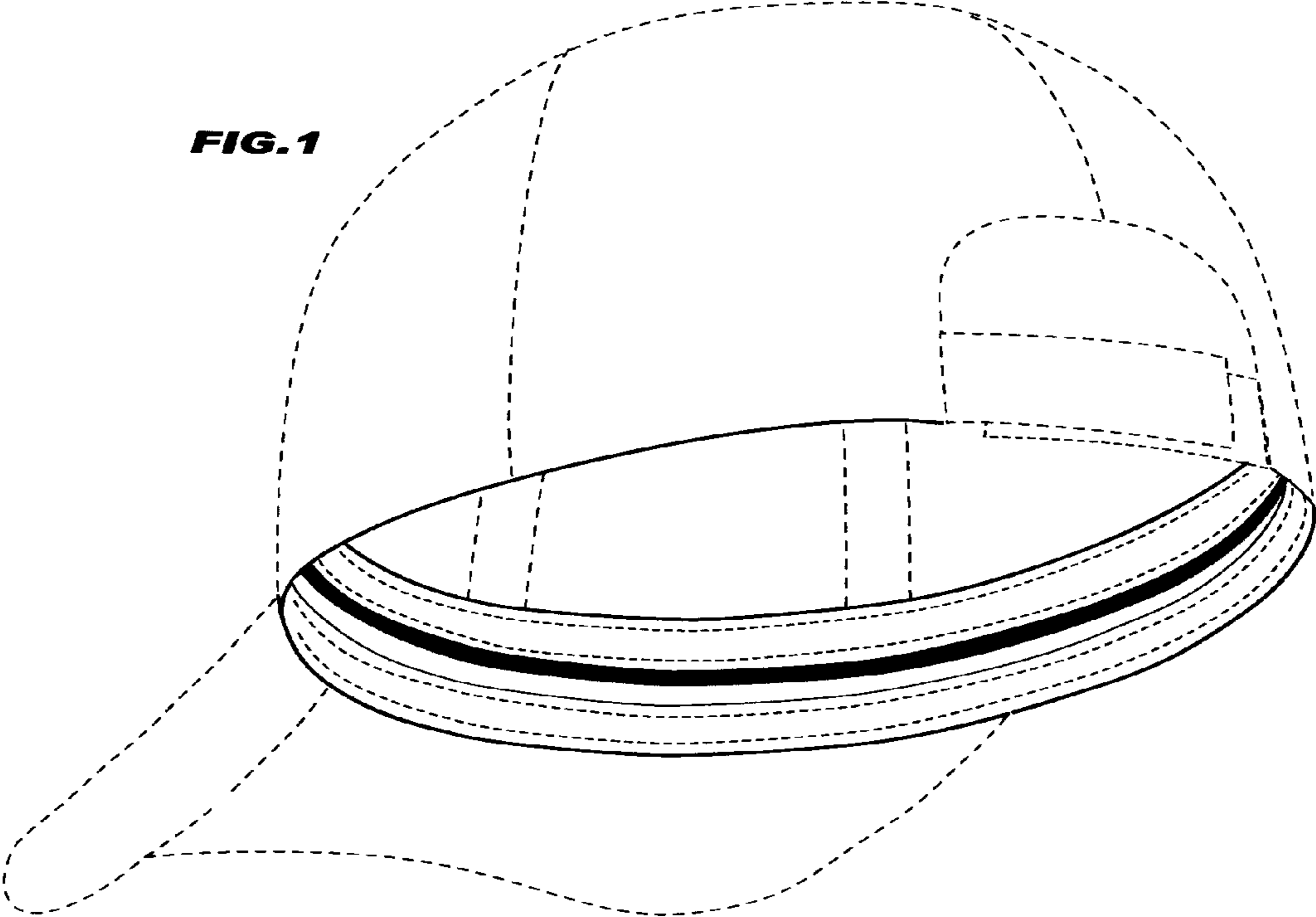


FIG.2

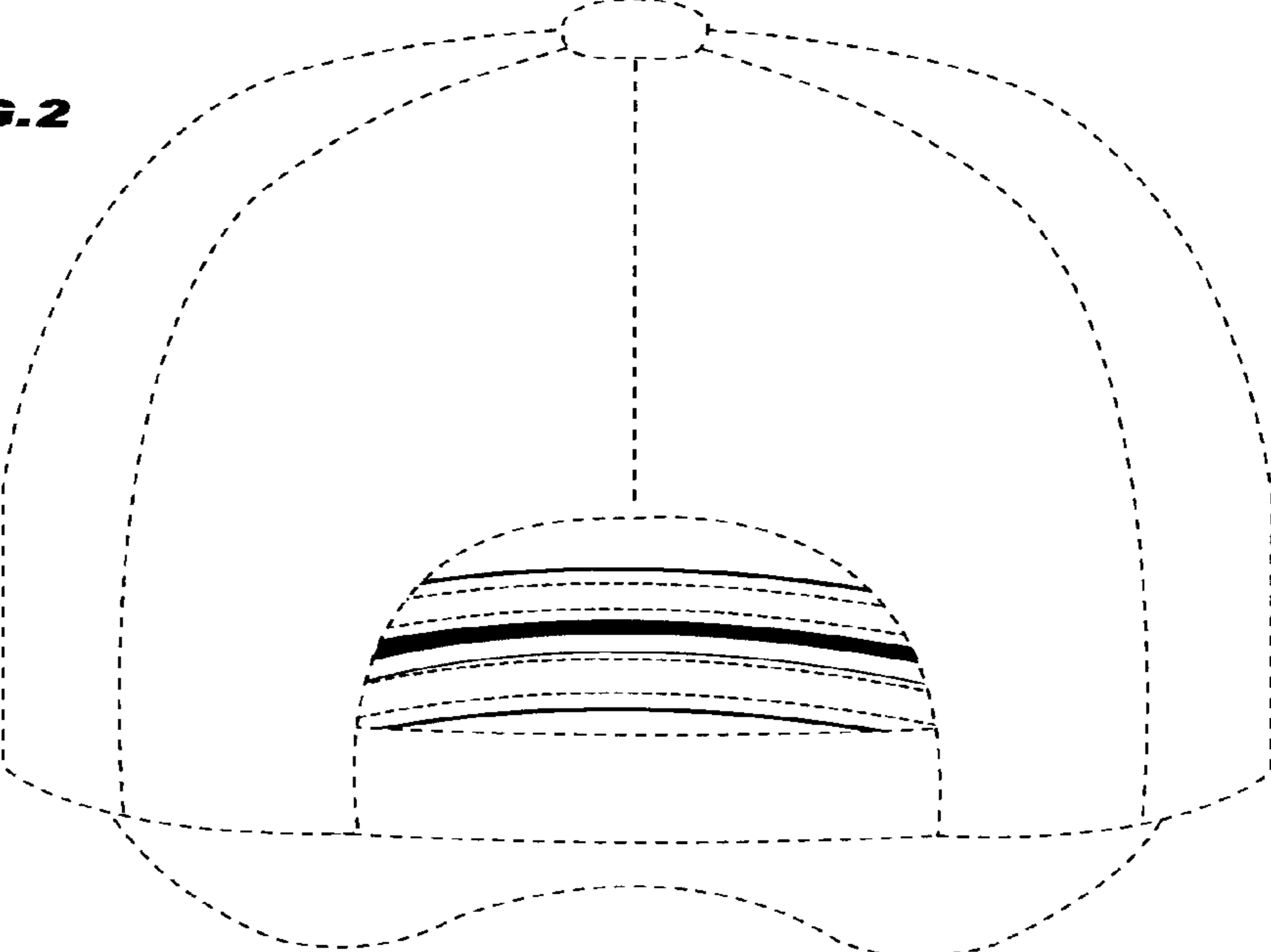


FIG.3

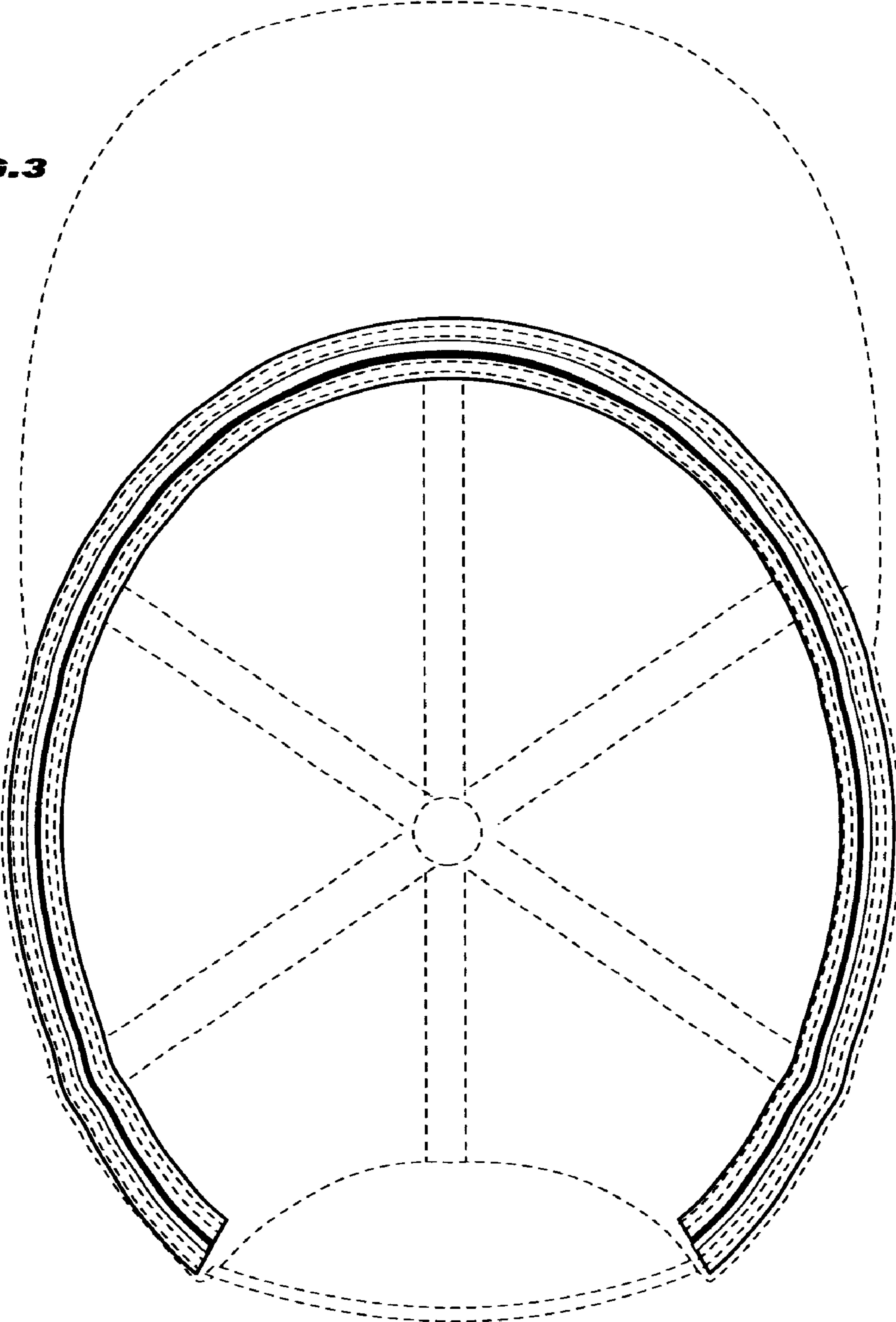


FIG.4

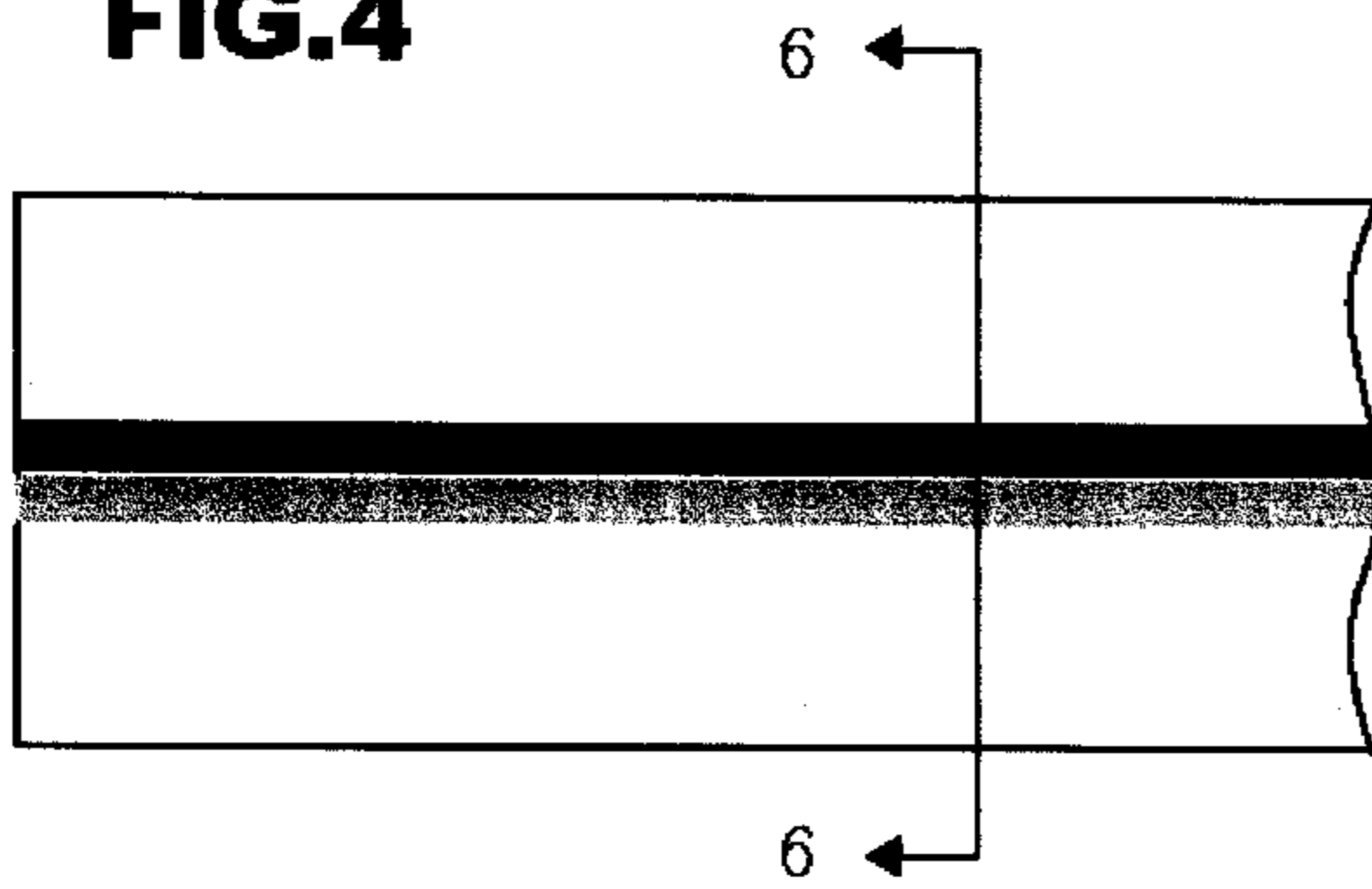


FIG.5

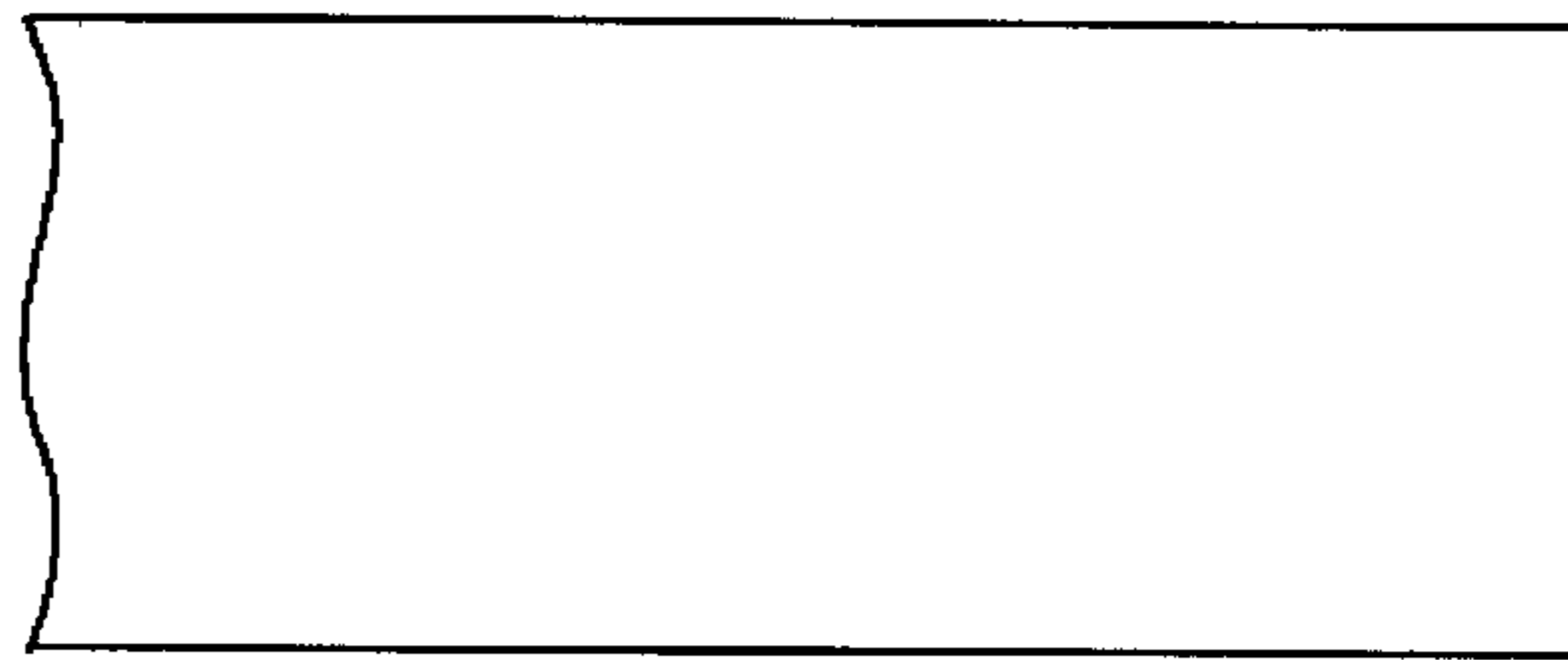


FIG.6

