

US00D524008S

(12) **United States Design Patent**
Babkes et al.

(10) **Patent No.:** **US D524,008 S**
(45) **Date of Patent:** **** Jun. 27, 2006**

- (54) **STEP FOR A MULTI-USE MOVE, LIFT AND SUPPORT DEVICE**
 - (75) Inventors: **Mitchell H. Babkes**, Saugus, CA (US);
Dean Tornabene, Marina Del Rey, CA (US)
 - (73) Assignee: **Sylmark Holdings Limited** (IE)
 - (**) Term: **14 Years**
 - (21) Appl. No.: **29/187,174**
 - (22) Filed: **Jul. 28, 2003**
 - (51) **LOC (8) Cl.** **12-02**
 - (52) **U.S. Cl.** **D34/27**
 - (58) **Field of Classification Search** D34/12,
D34/23-24, 27; D25/64; 182/228.1; 280/47.18,
280/47.26
- See application file for complete search history.

- 4,887,837 A 12/1989 Bonewicz, Jr. et al.
- 5,064,020 A 11/1991 Eagleson
- 5,161,811 A 11/1992 Cheng
- 5,306,027 A 4/1994 Cheng
- D347,718 S 6/1994 Craft et al.
- D351,738 S 10/1994 LaCombe
- D354,599 S 1/1995 Young
- 5,382,032 A 1/1995 Wilson
- 5,427,393 A 6/1995 Kriebel
- D363,196 S 10/1995 Kristiansen
- 5,507,508 A 4/1996 Liang
- D372,105 S 7/1996 Plotner
- 5,562,299 A 10/1996 Morrisette
- D378,173 S 2/1997 Hobson
- 5,669,659 A 9/1997 Dittmer
- D393,981 S 5/1998 Lipkowitz
- 5,749,305 A 5/1998 Jacovelli
- D399,631 S 10/1998 Campbell
- D417,937 S 12/1999 Harris
- D423,752 S 4/2000 Elder
- D427,807 S 7/2000 Holcomb et al.
- D432,750 S 10/2000 Rashid
- 6,158,749 A 12/2000 Roudebush
- 6,173,811 B1 1/2001 Tornabene et al.
- 6,196,560 B1 3/2001 Ohlsson
- 6,308,967 B1 10/2001 Stallbaumer et al.

(56) **References Cited**

U.S. PATENT DOCUMENTS

- 118,096 A 8/1871 Bergmann
- 432,869 A 7/1890 Fry
- 867,754 A 10/1907 Randall
- 1,116,779 A 11/1914 Witt
- 1,221,579 A 4/1917 Olds
- 1,601,250 A 9/1926 Hilderbrand
- 2,562,564 A * 7/1951 McGlothlen 182/228.1
- 3,104,889 A 9/1963 Branch
- 3,785,669 A 1/1974 Doheny
- D233,486 S 10/1974 Gonzalez
- D238,135 S 12/1975 Longobardi, Jr.
- 3,954,155 A 5/1976 Guidara
- 4,106,590 A 8/1978 Tarran
- 4,235,449 A 11/1980 Tarran
- 4,258,827 A 3/1981 Klose
- 4,341,393 A 7/1982 Gordon et al.
- 4,456,094 A 6/1984 Brander
- 4,494,626 A 1/1985 Ast
- 4,635,956 A 1/1987 Morrisette
- 4,798,304 A 1/1989 Rader
- 4,824,167 A 4/1989 King
- 4,846,486 A 7/1989 Hobson

(Continued)

Primary Examiner—Holly Baynham
(74) *Attorney, Agent, or Firm*—Kathy Mojibi Kavciogl

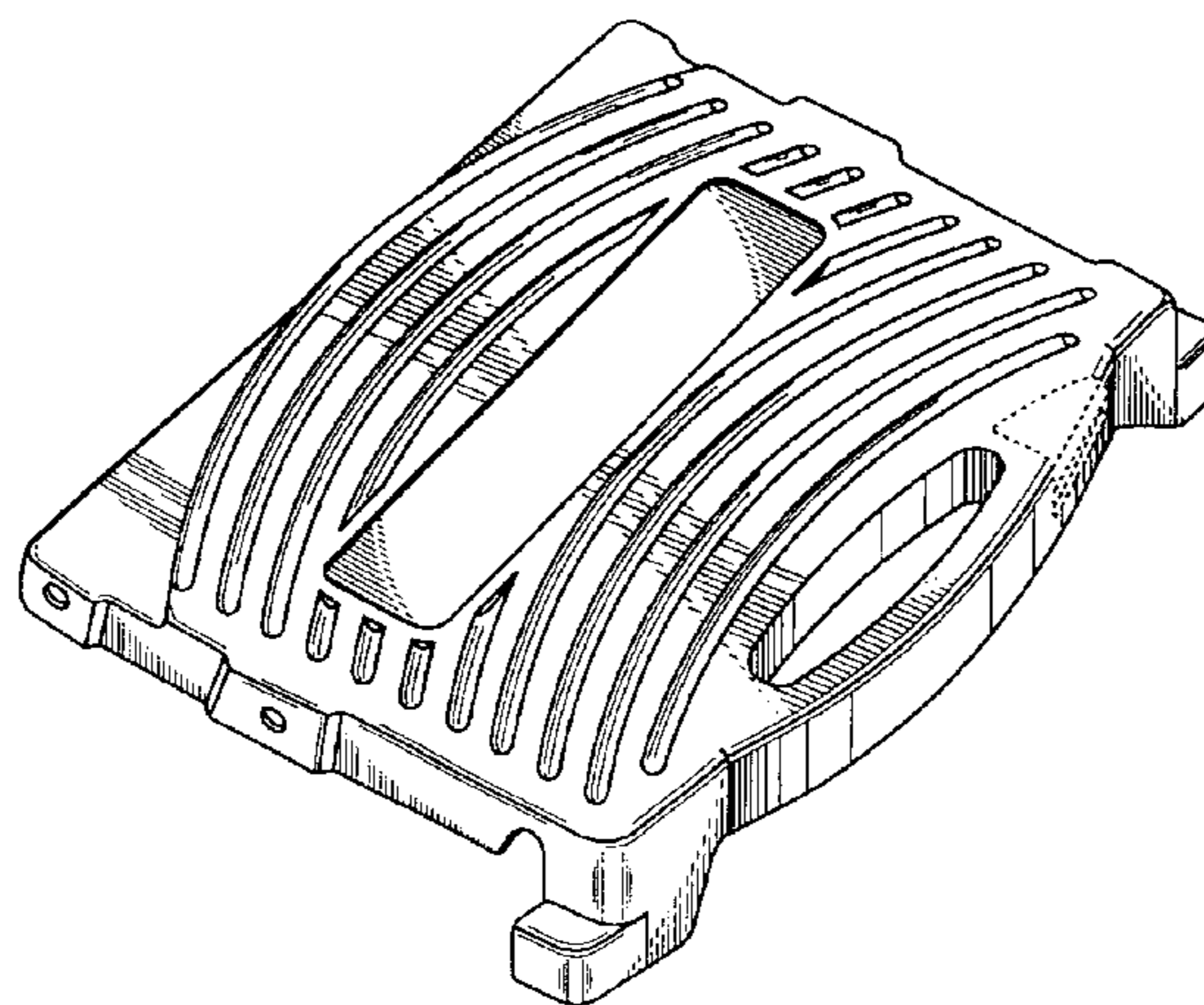
(57) **CLAIM**

The ornamental design for a step for a multi-use move, lift and support device, as shown and described.

DESCRIPTION

FIG. 1 is a perspective view of a step for a multi-use move, lift, and support device of a step assembly;
FIG. 2 is a front view thereof;
FIG. 3 is a left side view thereof;
FIG. 4 is right side thereof;
FIG. 5 is a back view thereof;
FIG. 6 is a top view thereof; and,
FIG. 7 is a bottom view thereof.

1 Claim, 3 Drawing Sheets



US D524,008 S

Page 2

U.S. PATENT DOCUMENTS

6,328,319	B1	12/2001	Stahler, Sr.	6,505,707	B1	1/2003	Berry
6,328,330	B1	12/2001	Haaser	D470,354	S	2/2003	Udommahuntisuk
6,390,495	B1	5/2002	Cates	D477,672	S	7/2003	Opeka
D459,078	S	6/2002	Tondino	D492,829	S	* 7/2004	Babkes et al. D34/27
D460,597	S	* 7/2002	Adams D34/23	2001/0045718	A1	11/2001	Boirum
D462,453	S	* 9/2002	Johansson D25/69				

* cited by examiner

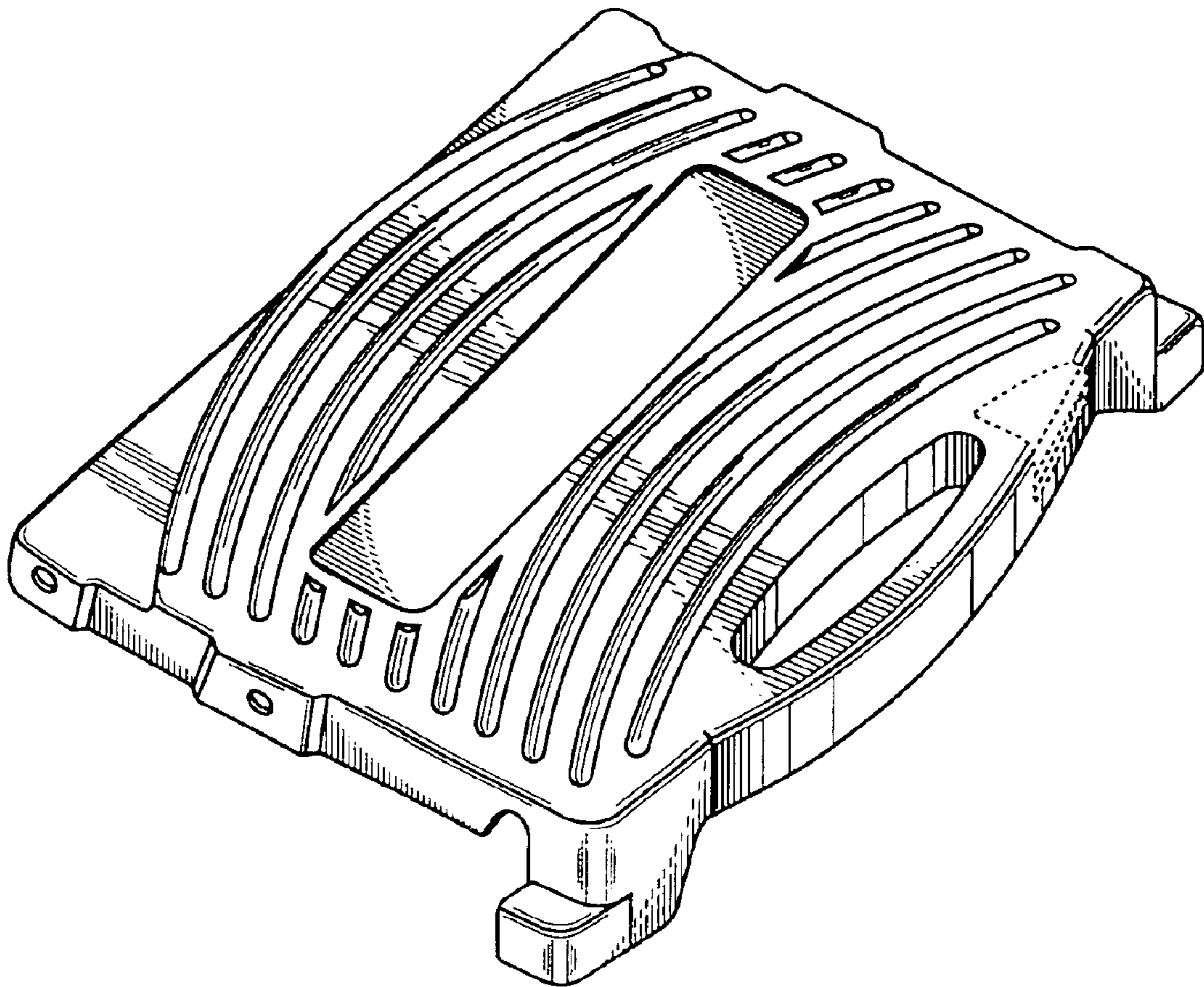


Fig. 1

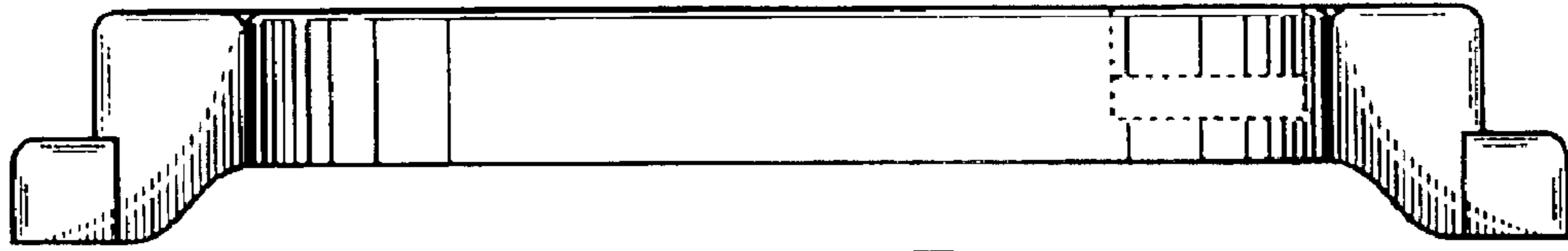


Fig. 2



Fig. 3

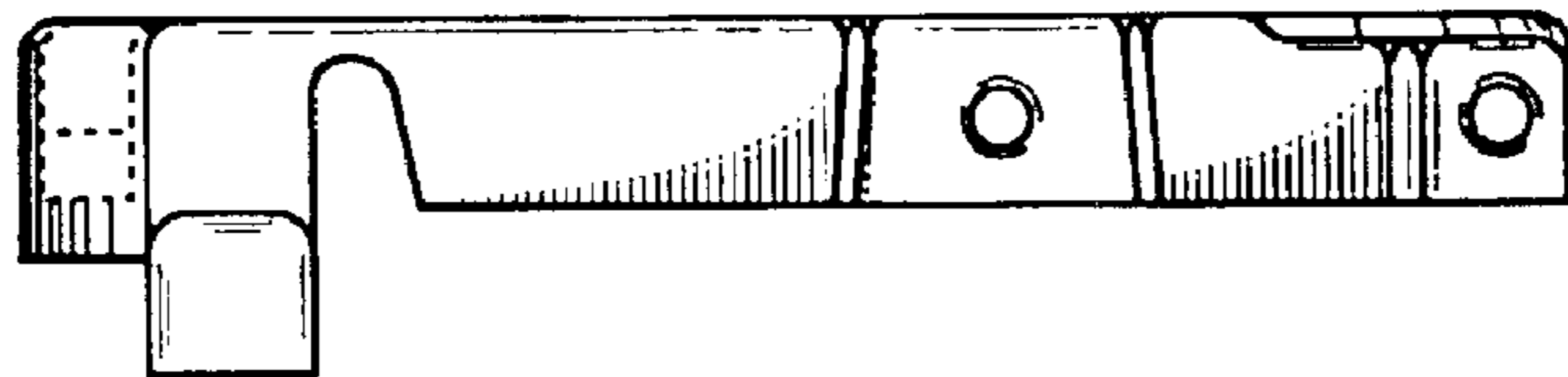


Fig. 4

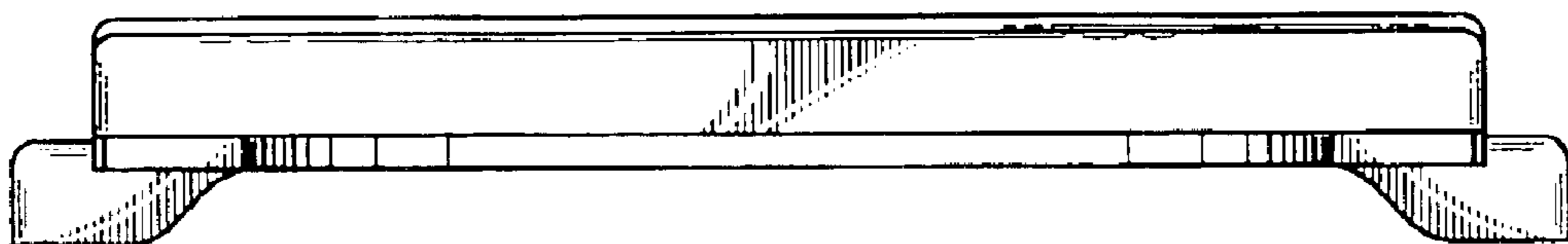


Fig. 5

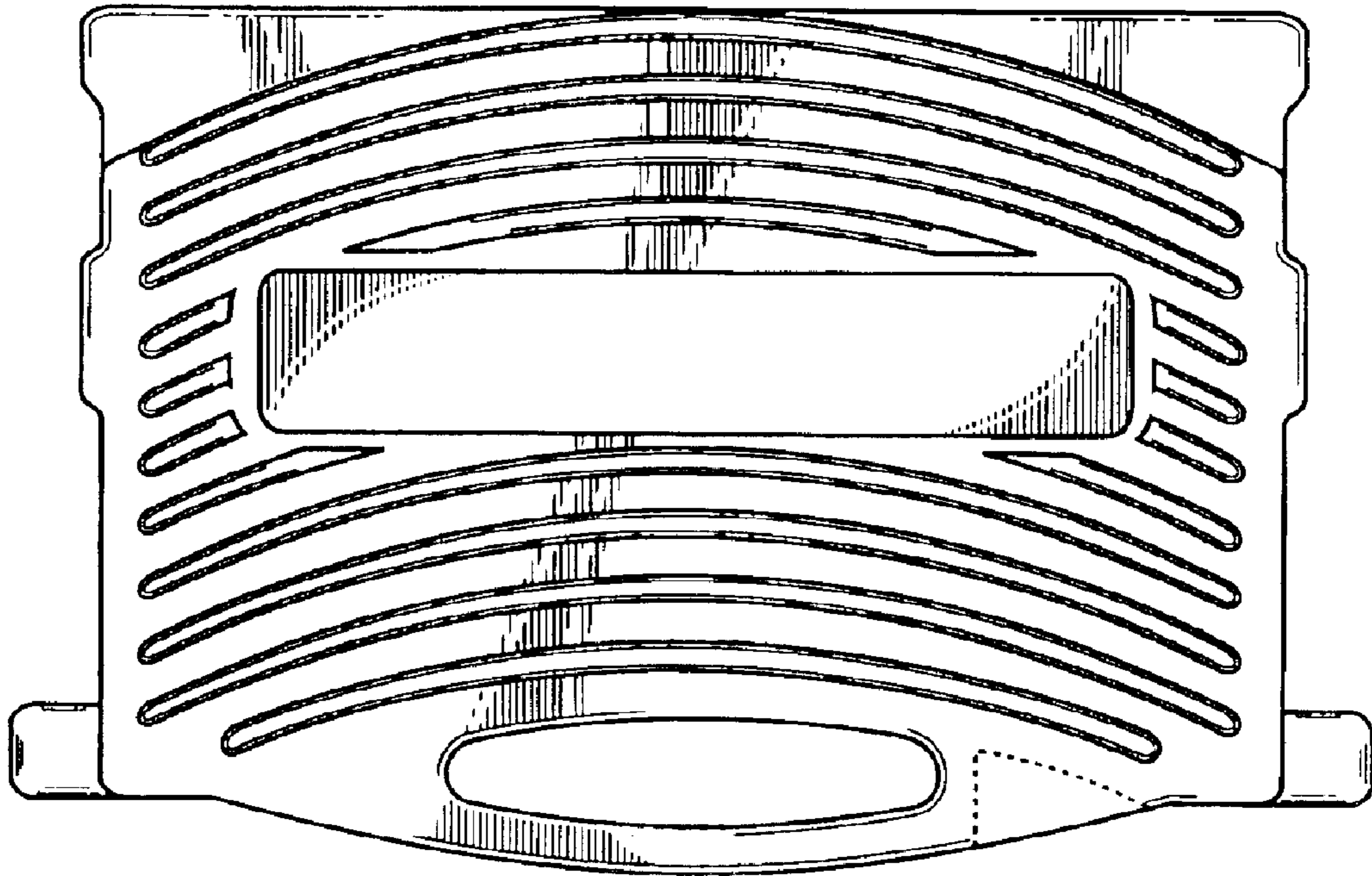


Fig. 6

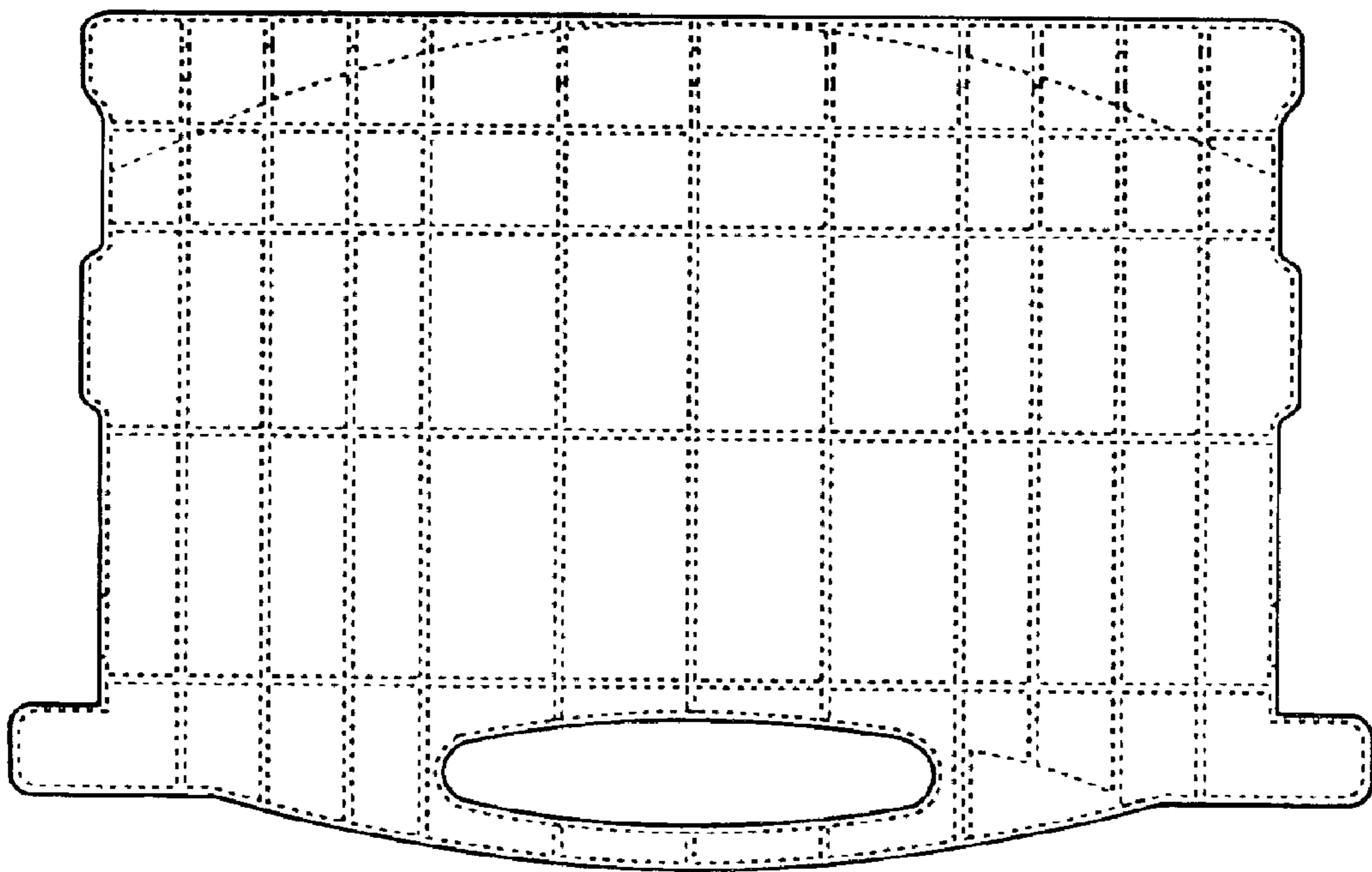


Fig. 7