



US00D524007S

(12) **United States Design Patent**
Palmer

(10) **Patent No.:** **US D524,007 S**
(45) **Date of Patent:** **** Jun. 27, 2006**

(54) **CONTAINER**

(75) **Inventor:** **Roger Keith Palmer, Katikati (NZ)**

(73) **Assignee:** **Food Cap International Limited,**
Auckland (NZ)

(**) **Term:** **14 Years**

(21) **Appl. No.:** **29/221,537**

(22) **Filed:** **Jan. 19, 2005**

(30) **Foreign Application Priority Data**

Jul. 20, 2004 (NZ) 405063

(51) **LOC (8) Cl.** **12-02**

(52) **U.S. Cl.** **D34/19**

(58) **Field of Classification Search** D34/12-27;
312/400, 200, 249.8, 108, 248, 198, 107,
312/204, 290; D6/477, 478, 479, 445; 211/194;
280/79.3; 220/4.27; 206/508, 509, 511, 512;
D9/424

See application file for complete search history.

(56) **References Cited**

U.S. PATENT DOCUMENTS

- 1,682,028 A * 8/1928 Young 206/509
- 2,429,958 A * 10/1947 Liebmann 206/505
- 3,303,965 A * 2/1967 Parker et al. 206/511
- 3,331,529 A * 7/1967 Slapnik 206/508
- 3,376,046 A * 4/1968 Kivett et al. 280/33.998
- 3,759,416 A * 9/1973 Constantine 206/505
- 3,760,970 A * 9/1973 Lutz 220/4.28
- D248,090 S * 6/1978 Box D9/424

- D251,968 S * 5/1979 Tucky D34/19
- 4,405,057 A * 9/1983 Stein 220/523
- 5,062,539 A * 11/1991 Chandler 220/4.27
- 5,346,079 A * 9/1994 Price et al. 211/41.12
- 5,670,195 A 9/1997 Palmer
- D393,128 S * 3/1998 Maddux D34/14
- 6,054,161 A 4/2000 Palmer
- 6,194,012 B1 2/2001 Palmer
- 2004/0089657 A1 * 5/2004 Waszak 220/4.03
- 2004/0118742 A1 * 6/2004 Shuert 206/600

* cited by examiner

Primary Examiner—Freda Nunn

Assistant Examiner—Kevin K. Rudzinski

(74) *Attorney, Agent, or Firm*—Birch, Stewart, Kolasch & Birch, LLP

(57) **CLAIM**

The ornamental design for the container, as shown and described.

DESCRIPTION

FIG. 1 is a perspective view of the container of the present design.

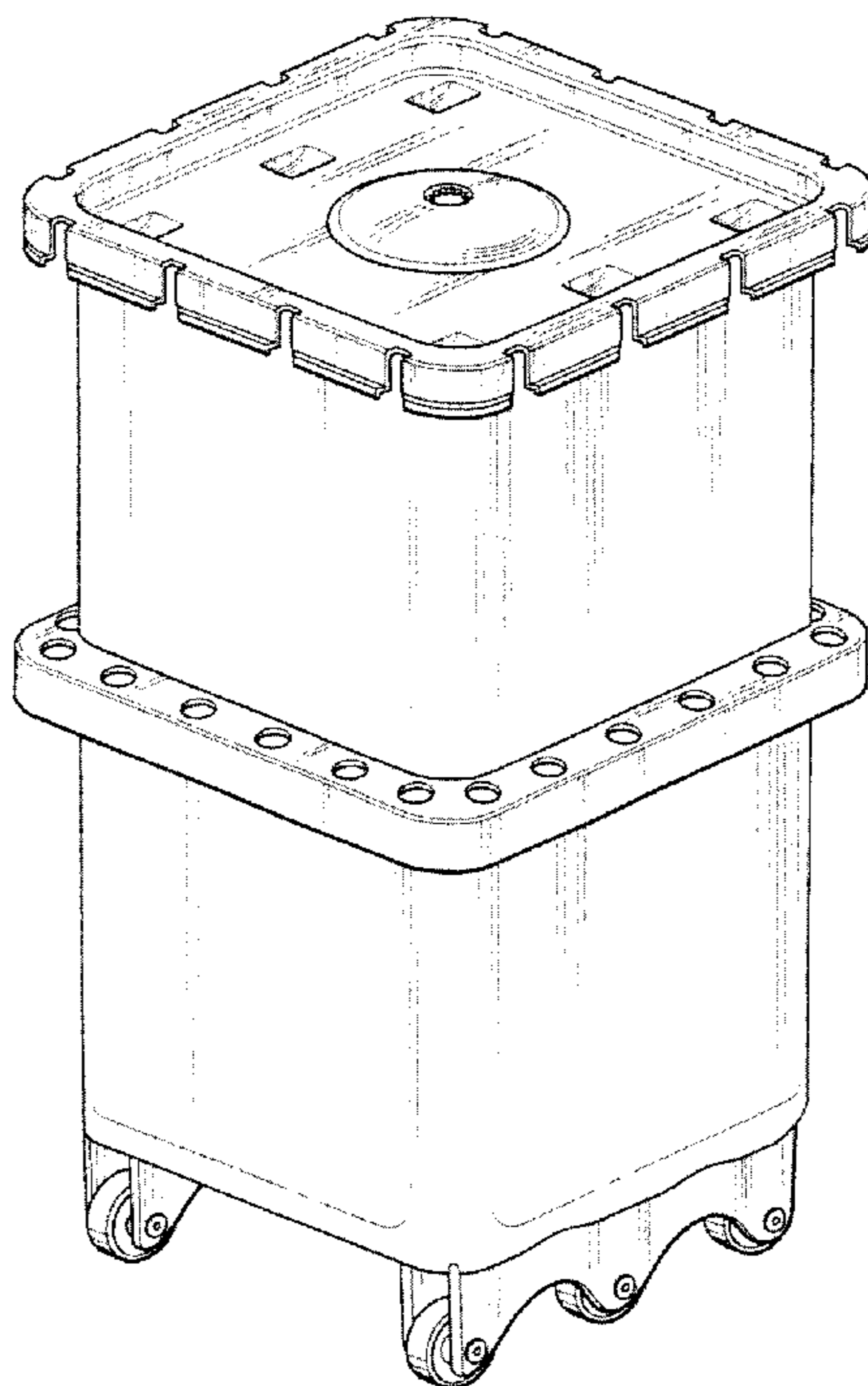
FIG. 2 is an end elevation view of the container of FIG. 1, the opposite rear side elevation view being a mirror image.

FIG. 3 is a side elevation view of the container of FIG. 1, the opposite end elevation view being a mirror image.

FIG. 4 is a top plan view of the container of FIG. 1.

FIG. 5 is a bottom plan view of the container of FIG. 1; and, FIG. 6 is an enlarged end elevation in cross section of a container of FIG. 1.

1 Claim, 5 Drawing Sheets



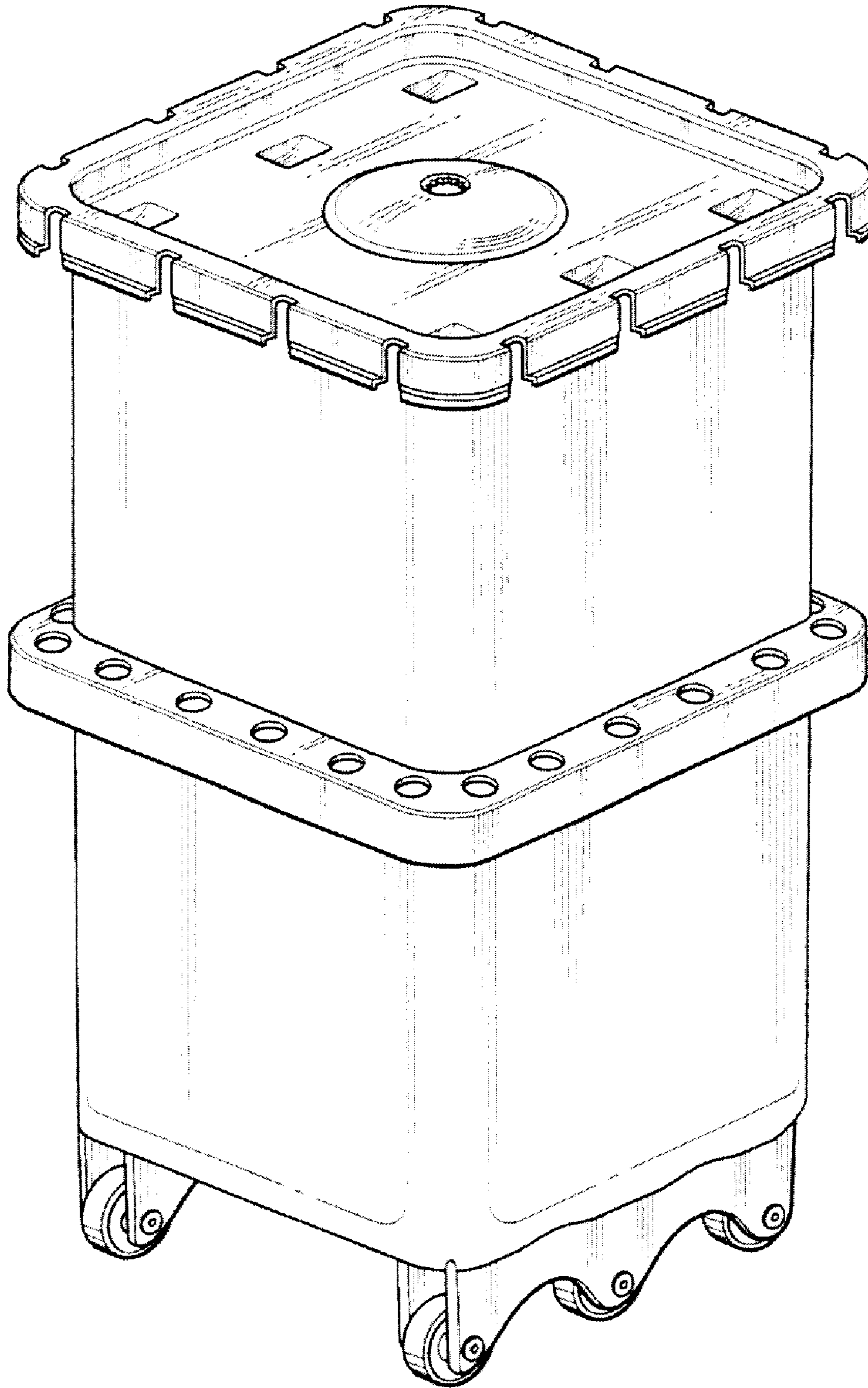


FIG. 1

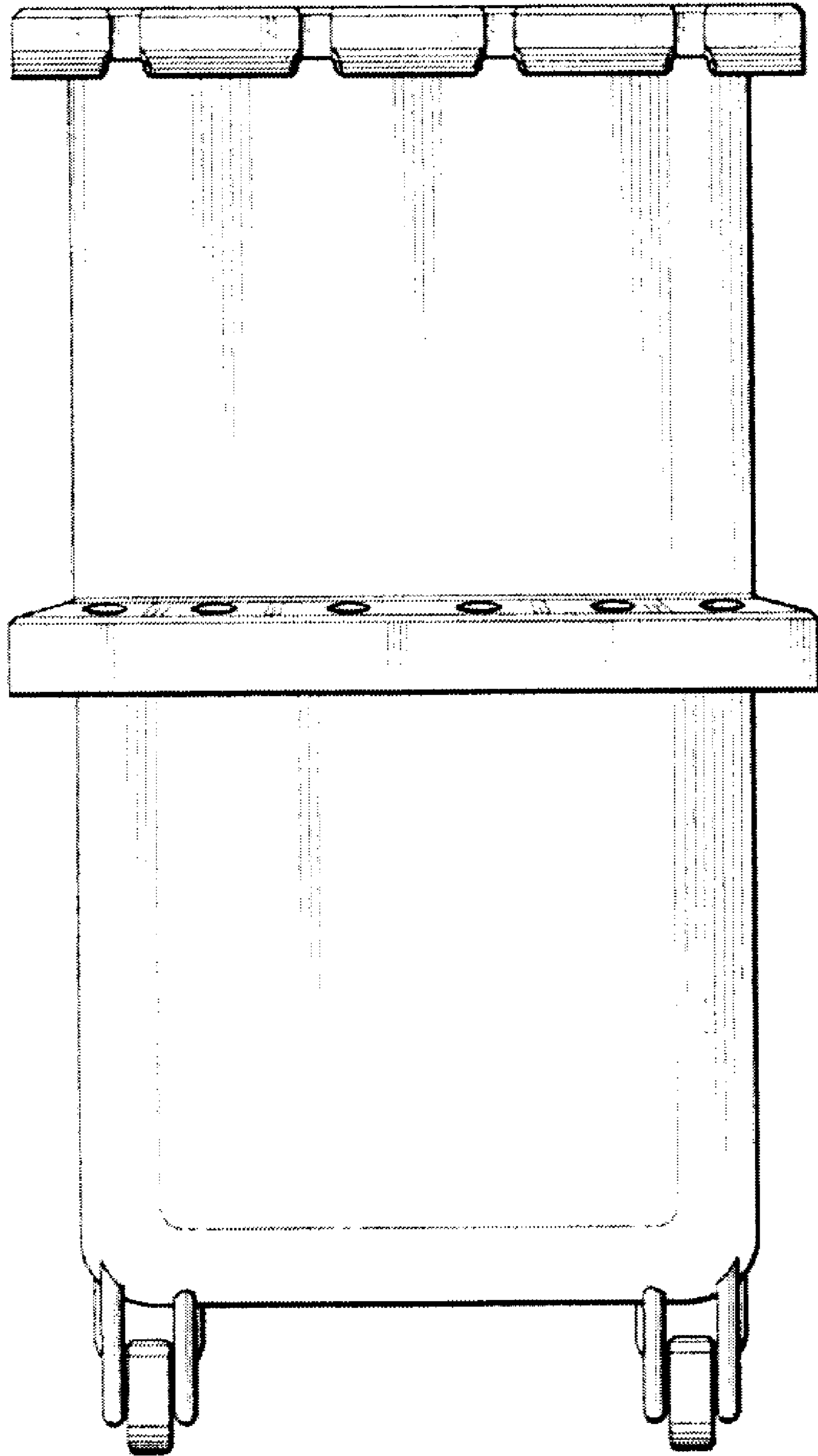


FIG. 2

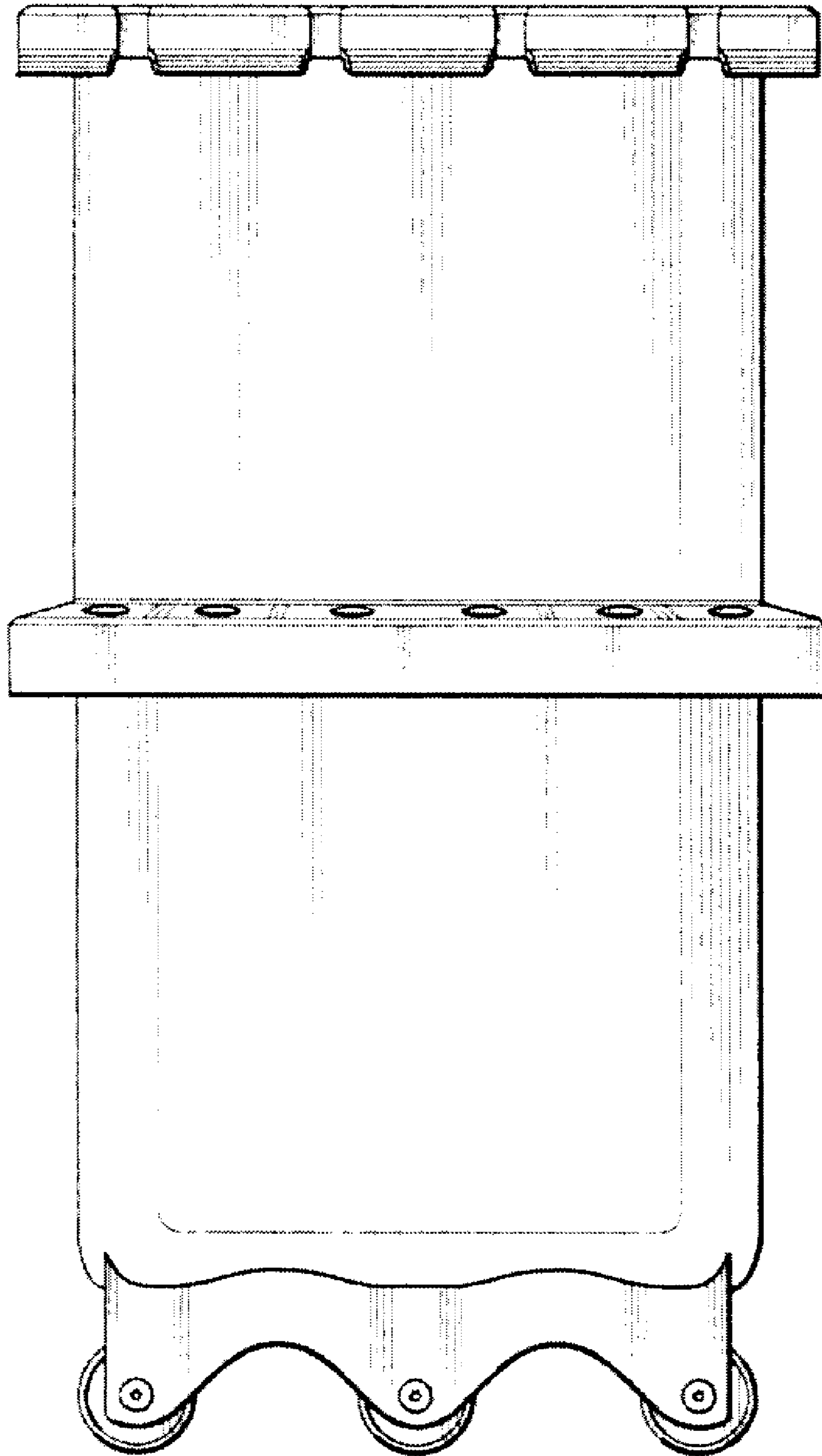


FIG.3

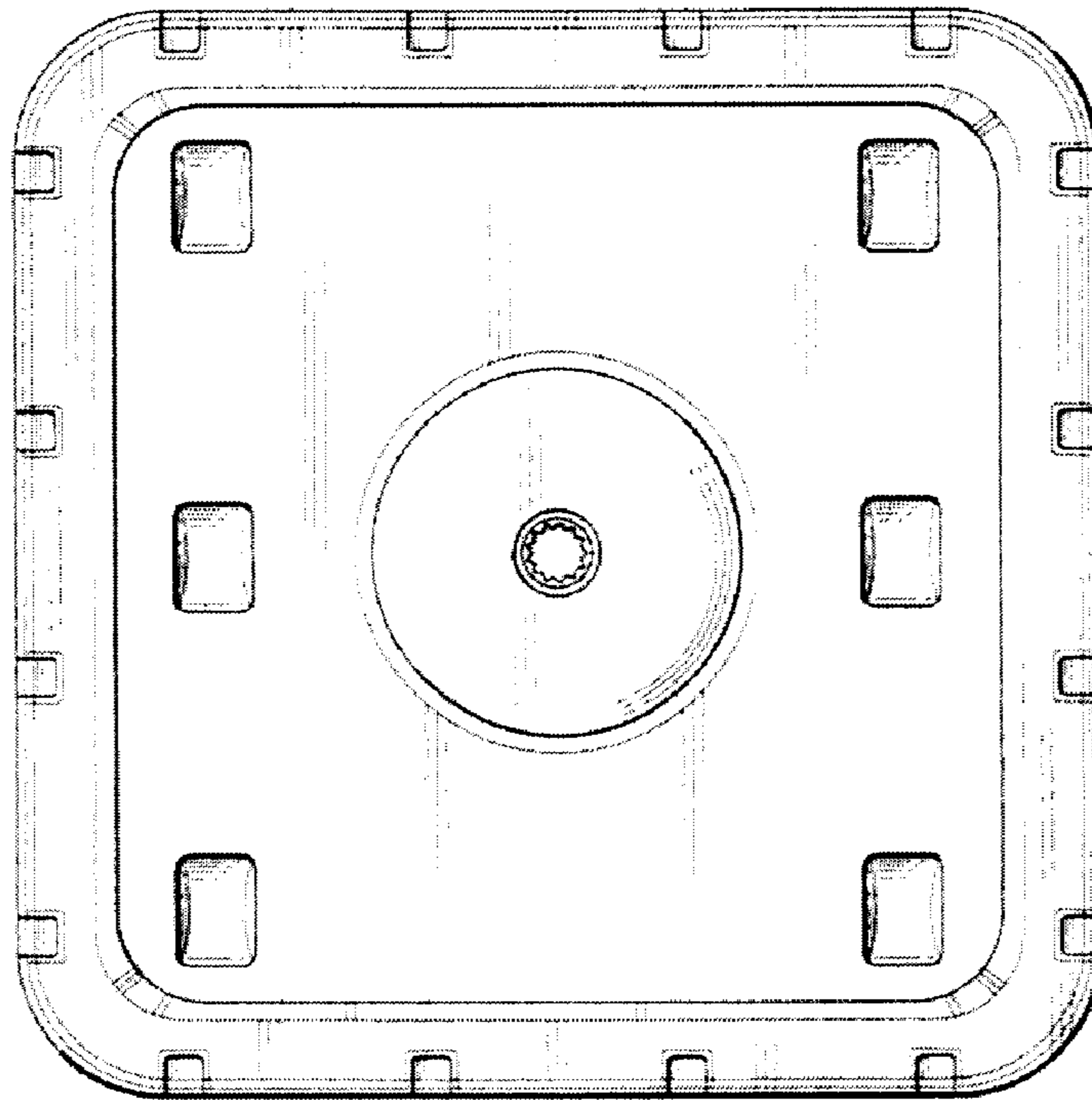


FIG. 4

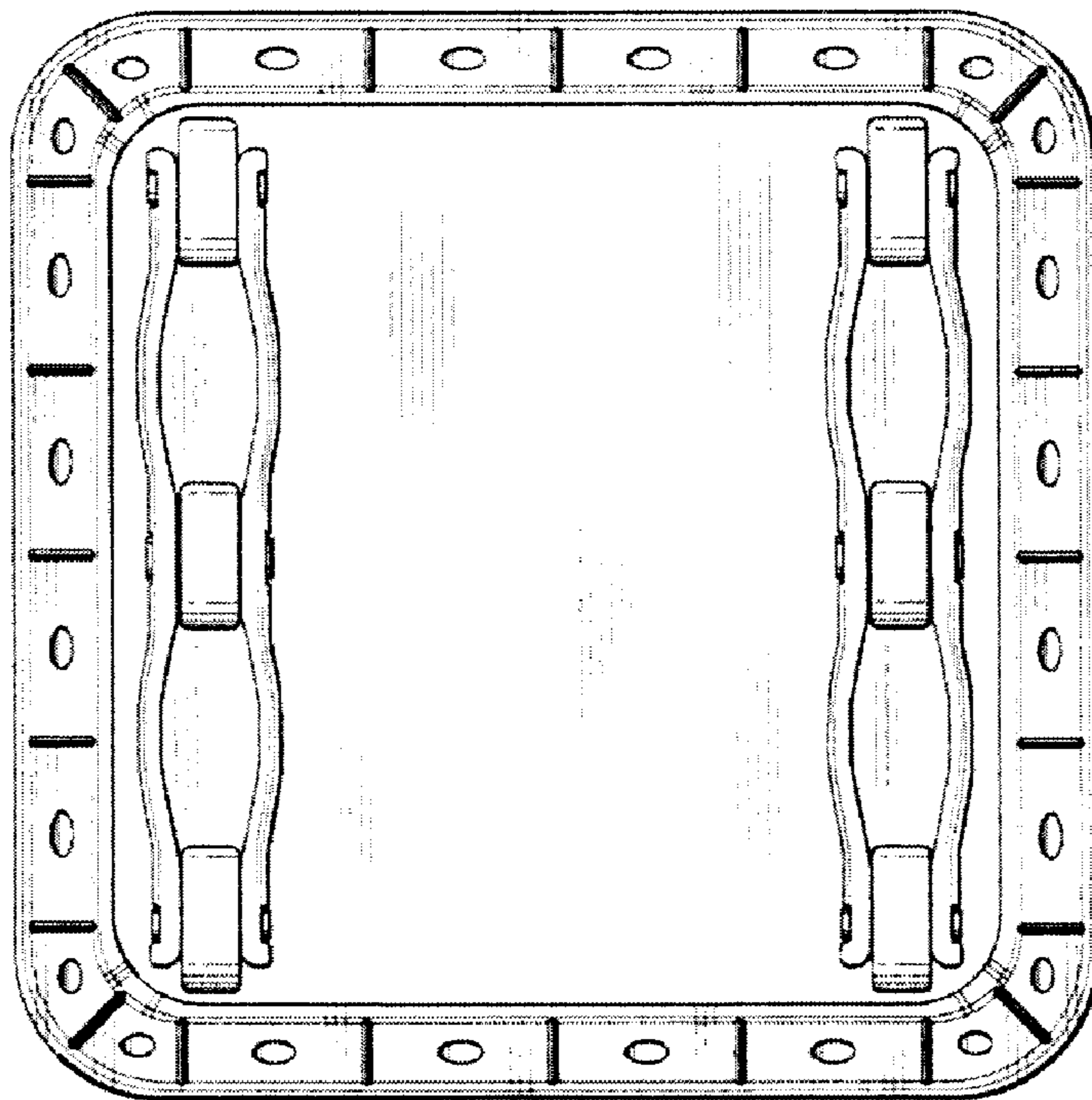


FIG. 5

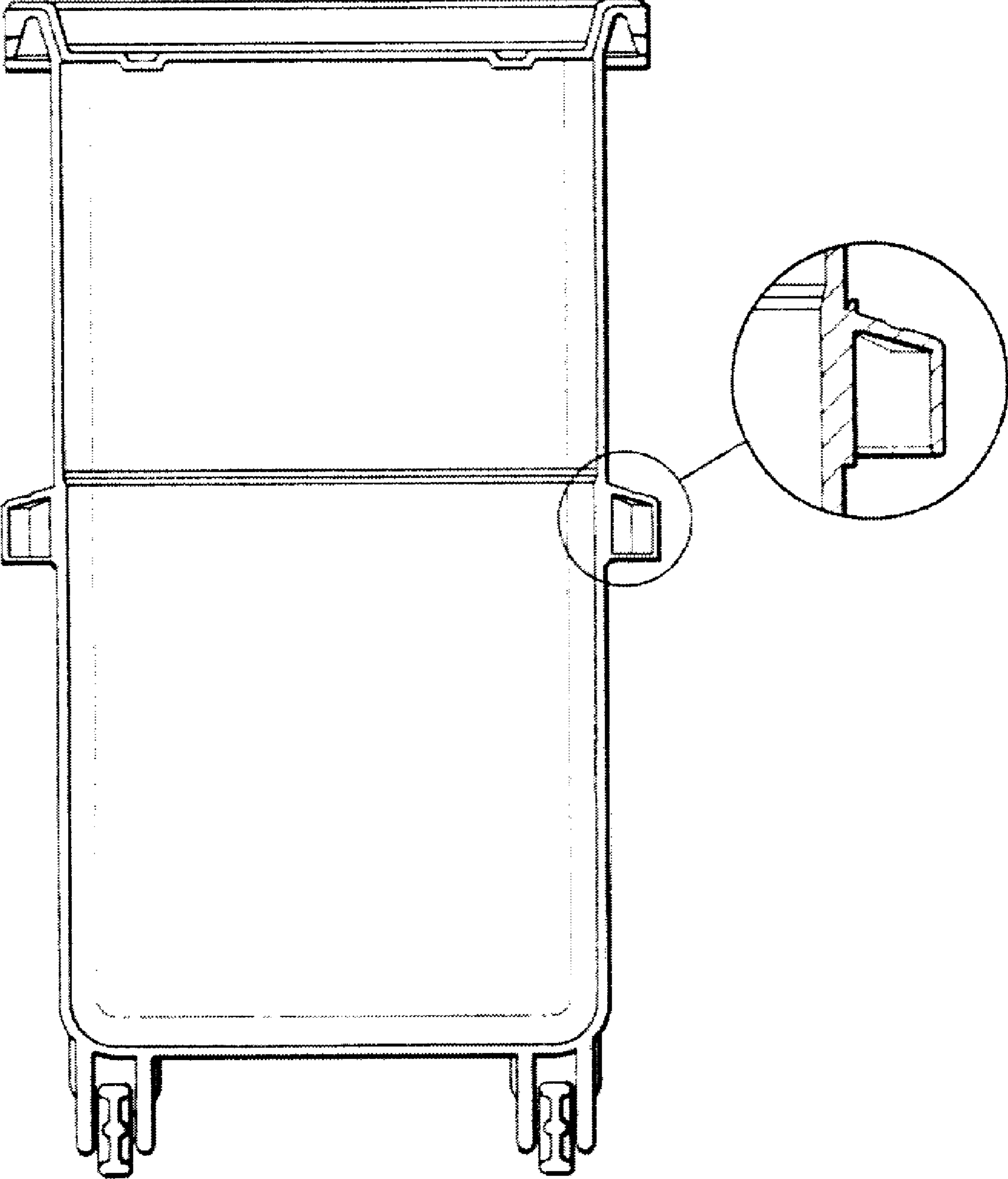


FIG.6