



US00D524003S

(12) **United States Design Patent** (10) **Patent No.:** **US D524,003 S**
Prokop et al. (45) **Date of Patent:** **** *Jun. 27, 2006**

(54) **LIQUID CONTAINER WITH FLIP-UP SURFACE**

(75) Inventors: **Gary F. Prokop**, Wheaton, IL (US);
Randall P. Bell, River Forest, IL (US);
Mark D. Kiel, Bensenville, IL (US)

(73) Assignee: **Valspar Sourcing, Inc.**, Minneapolis, MN (US)

(*) Notice: This patent is subject to a terminal disclaimer.

(**) Term: **14 Years**

(21) Appl. No.: **29/197,448**

(22) Filed: **Jan. 15, 2004**

(51) **LOC (8) Cl.** **07-07**

(52) **U.S. Cl.** **D32/53.1**

(58) **Field of Classification Search** D32/53,
D32/53.1, 54; D3/302, 304, 307, 309; D7/601,
D7/602, 630; D9/424, 425, 430-432; 206/505,
206/518; 220/570, 600, 639, 645, 652, 660,
220/669, 674-679, 694, 695, 697, 702; 15/257.05,
15/257.06

See application file for complete search history.

(56) **References Cited**

U.S. PATENT DOCUMENTS

2,659,096	A	11/1953	Mencfeldowski, Jr.
2,698,450	A	1/1955	Mack
2,705,334	A	4/1955	Farrow
2,777,142	A	1/1957	LoVerde
2,827,648	A	3/1958	Geisz

(Continued)

FOREIGN PATENT DOCUMENTS

DE	43 14 465	A1	11/1994
EP	1293360	A1	3/2003
FR	2087688	A	12/1971
WO	2003091123	A1	11/2003

OTHER PUBLICATIONS

“Ropak Packaging Home Page” [online]. Ropak Packaging, Fullerton, CA, 2002 [retrived on Jul. 13, 2004]. Retrieved from the Internet: <URL: www.ropakcorp.com/lpg/lpacpub01.nsf/Content/RPK_Ropak_Homepage>; 1 pg.

“Square Containers” datasheet [online]. Ropak Packaging, Fullerton, CA, 2002 [retrived on Jul. 13, 2004]. Retrieved from the Internet: <URL: www.ropakcorp.com/lpg/lpacpub01.nsf/Content/rpk_product_type2>; 1 pg.

“2.1-Gallon Square Container (S026)” datasheet [online]. Ropak Packaging, Fullerton, CA, 2002 [retrived on Jul. 13, 2004]. Retrieved from the Internet: <URL: www.ropakcorp.com/lpg/lpacpub01.nsf/Content/rpk_square_S026>; 1 pg.

(Continued)

Primary Examiner—Alan P. Douglas

Assistant Examiner—Lavone D. Tabor

(74) *Attorney, Agent, or Firm*—Mueting, Raasch & Gebhardt, P.A.

(57) **CLAIM**

The ornamental design for a liquid container with flip-up surface, as shown and described.

DESCRIPTION

FIG. 1 is an upper perspective view of a liquid container with flip-up surface showing the new design;

FIG. 2 is a left side elevation view thereof;

FIG. 3 is a right side elevation view thereof;

FIG. 4 is a rear side elevation view thereof;

FIG. 5 is a front side elevation view thereof;

FIG. 6 is a top plan view thereof;

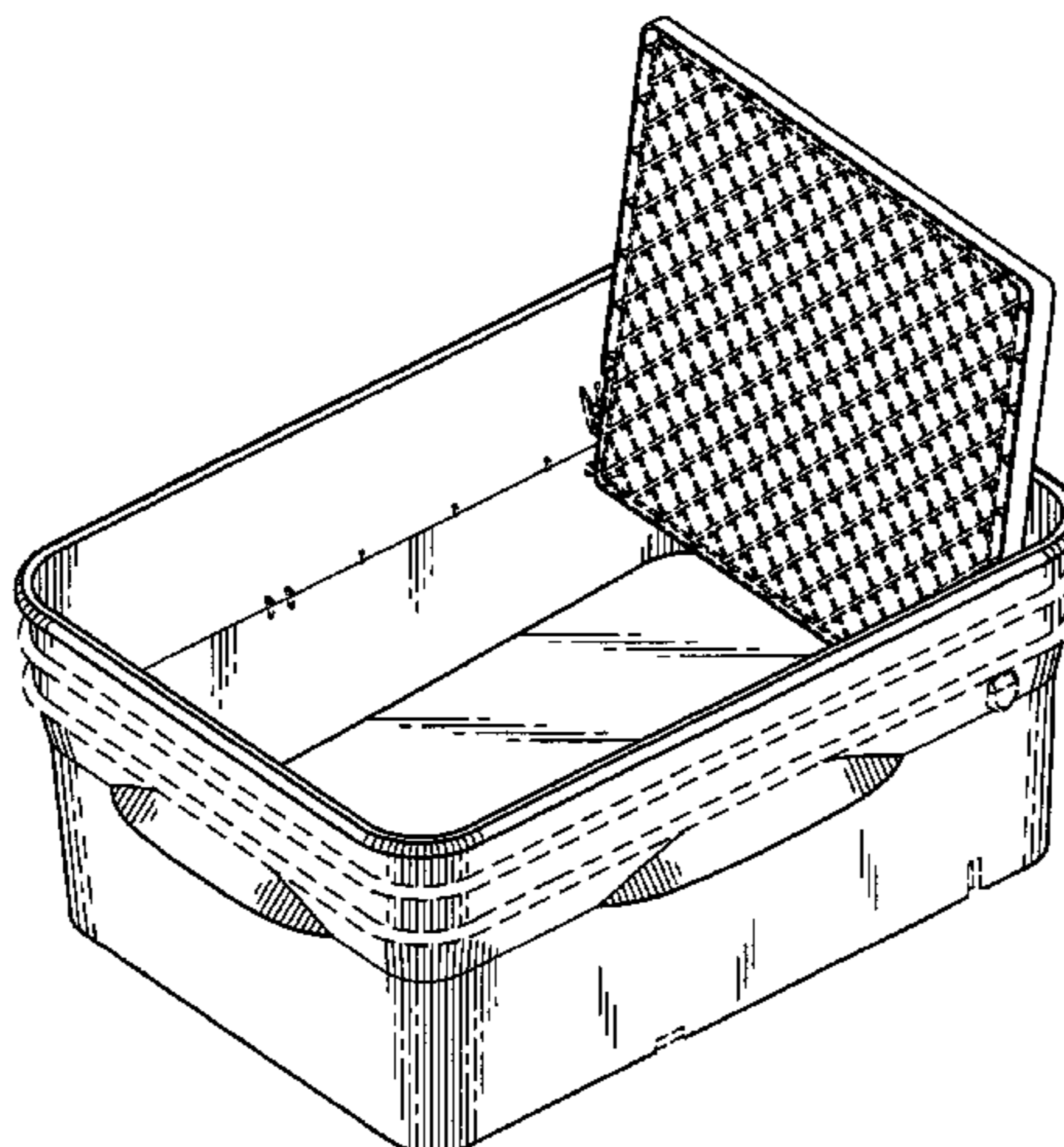
FIG. 7 is a bottom plan view thereof;

FIG. 8 is a section view thereof taken along line 8—8 of FIG. 6; and,

FIG. 9 is a lower perspective view thereof.

The features illustrated in broken lines in the figures do not form a part of the claimed invention.

1 Claim, 9 Drawing Sheets



U.S. PATENT DOCUMENTS

3,732,593 A 5/1973 Habostad
 3,761,995 A * 10/1973 Rinard 15/257.06
 3,828,389 A 8/1974 Heisler
 3,837,035 A 9/1974 Habostad
 D246,439 S 11/1977 Lynn et al.
 4,107,815 A 8/1978 Dumesnil, Jr.
 4,200,949 A 5/1980 Heniff, Jr.
 4,893,723 A 1/1990 Seabolt
 4,928,843 A 5/1990 Gunderson
 5,085,317 A 2/1992 Jensen et al.
 5,314,061 A 5/1994 Bedrossian
 5,341,969 A 8/1994 Accardo et al.
 5,400,916 A 3/1995 Weber
 5,404,611 A 4/1995 Raney
 5,472,111 A 12/1995 Renfrew
 5,489,051 A 2/1996 Robinson
 5,533,228 A 7/1996 Jarecki et al.
 5,727,708 A 3/1998 Erickson
 5,810,196 A 9/1998 Lundy
 5,893,489 A 4/1999 Giarrante
 5,975,346 A 11/1999 Imperato et al.
 6,019,241 A 2/2000 Burns
 6,102,235 A 8/2000 Stern et al.
 6,199,718 B1 3/2001 Ellis
 6,269,967 B1 8/2001 de Vries
 6,412,661 B1 7/2002 Hannah, Sr.

OTHER PUBLICATIONS

“2.1-Gallon Square Container (SA26)” datasheet [online]. Ropak Packaging, Fullerton, CA, 2002 [retrived on Jul. 13, 2004]. Retrieved from the Internet: <URL: www.ropakcorp.com/lpg/lpacpub01.nsf/Content/rpk_square_SA26>; 1 pg.
 “EZ Stor Containers” datasheet [online]. Ropak Packaging, Fullerton, CA, 2002 [retrived on Jul. 13, 2004]. Retrieved from the Internet: <URL: www.ropakcorp.com/lpg/lpacpub01.nsf/Content/rpk_product_type3>; 1 pg.
 “1-Gallon EZ Stor Container (E015)” datasheet [online]. Ropak Packaging, Fullerton, CA, 2002 [retrived on Jul. 13, 2004]. Retrieved from the Internet: <URL: www.ropakcorp.com/lpg/lpacpub01.nsf/Content/rpk_EZStor_E015>; 1 pg.
 “2-Gallon EZ Stor Container” datasheet [online]. Ropak Packaging, Fullerton, CA, 2002 [retrived on Jul. 13, 2004]. Retrieved from the Internet: <URL: www.ropakcorp.com/lpg/lpacpub01.nsf/Content/rpk_EZStore_E027>; 1 pg.
 “3-Gallon EZ Stor Container” datasheet [online]. Ropak Packaging, Fullerton, CA, 2002 [retrived on Jul. 13, 2004]. Retrieved from the Internet: <URL: www.ropakcorp.com/lpg/lpacpub01.nsf/Content/rpk_EZStor_E037>; 1 pg.

* cited by examiner

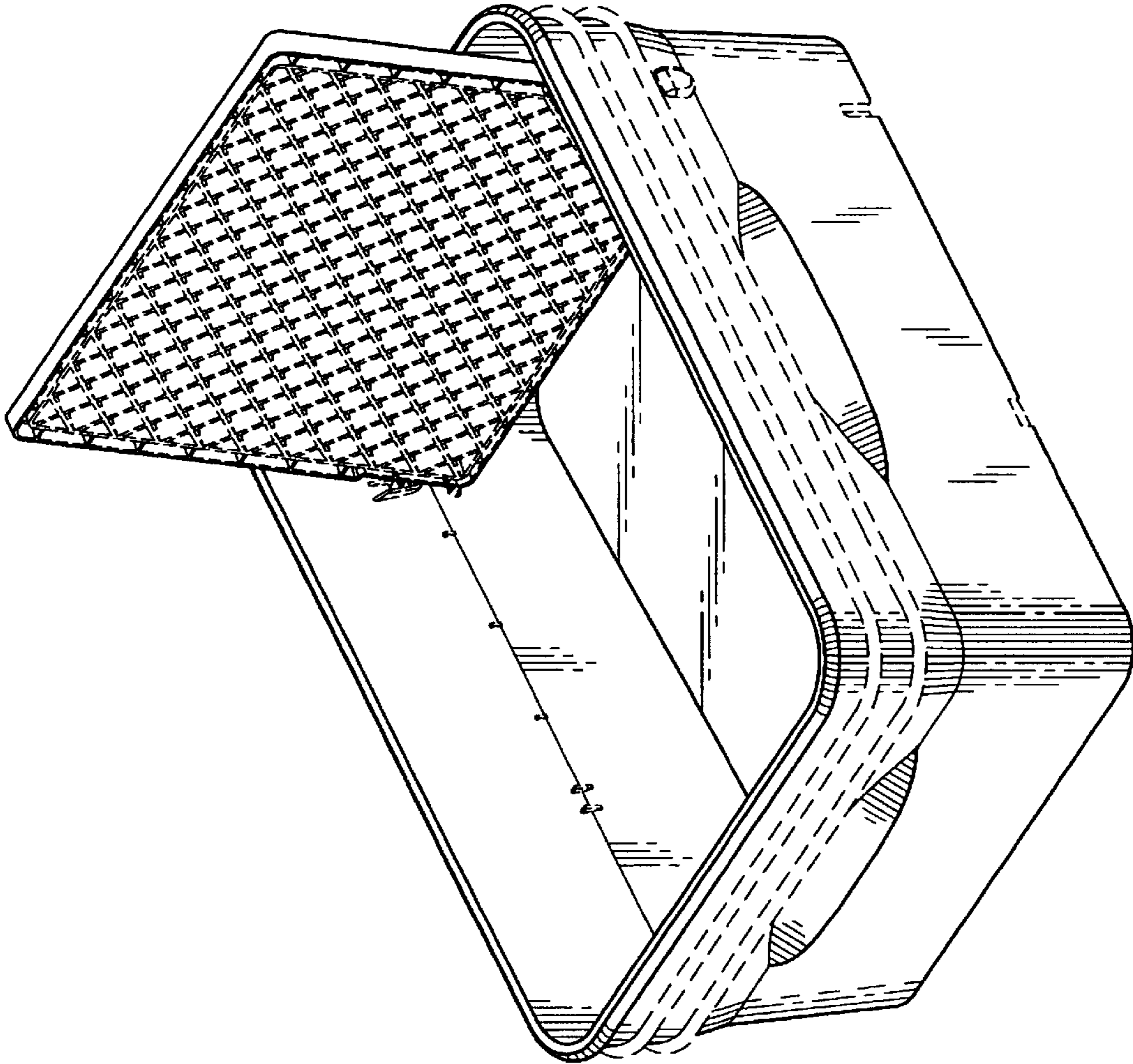


Fig. 1

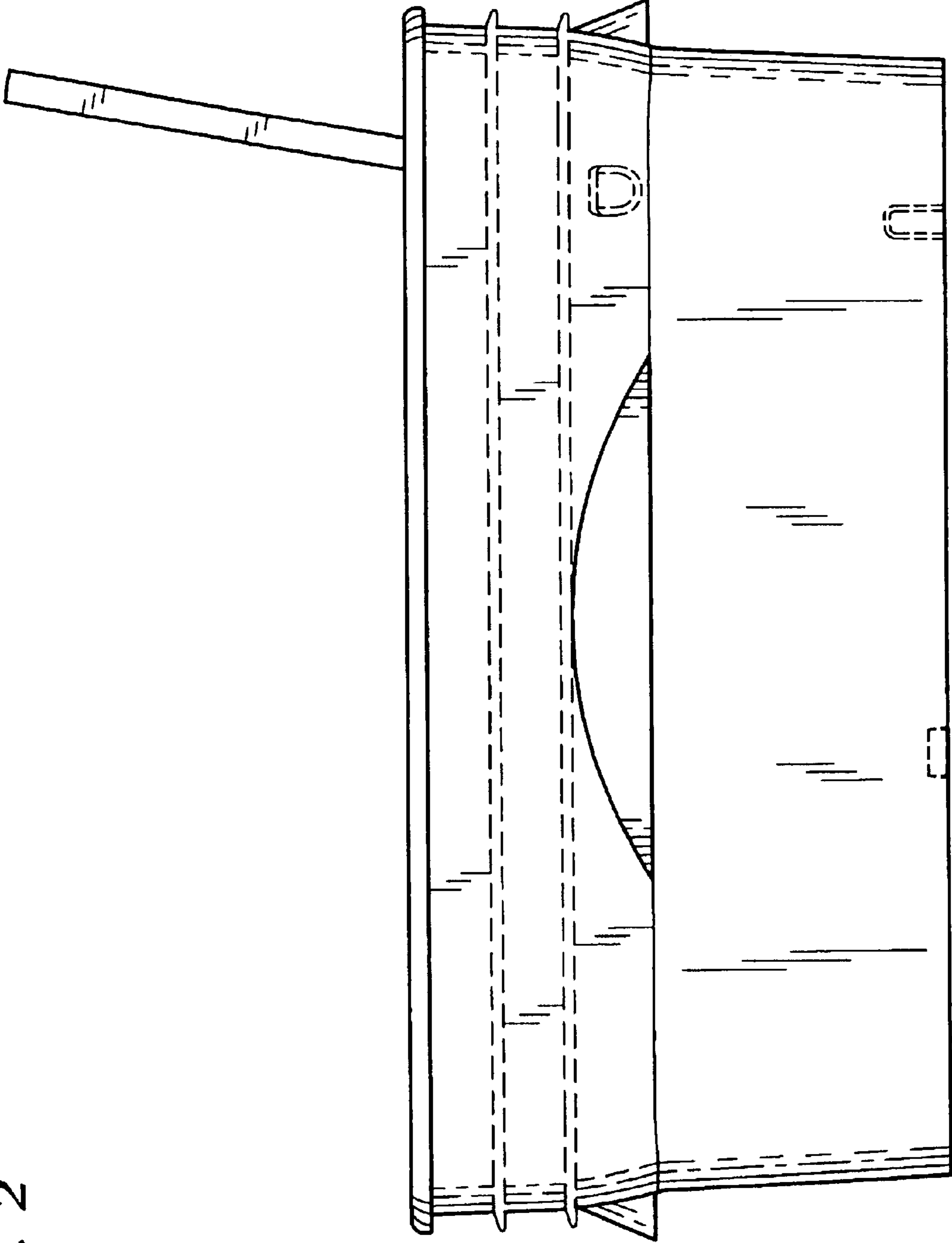


Fig. 2

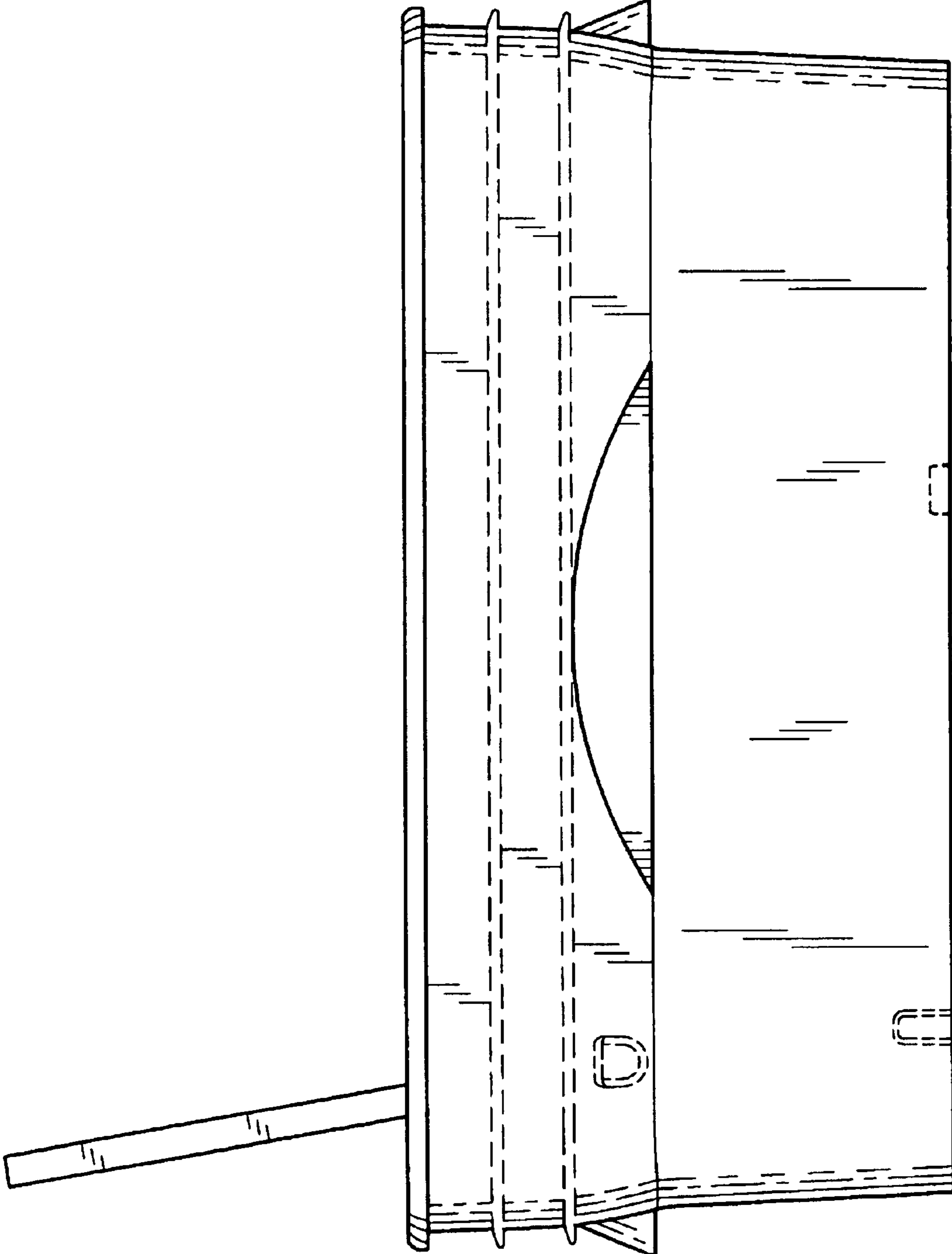


Fig. 3

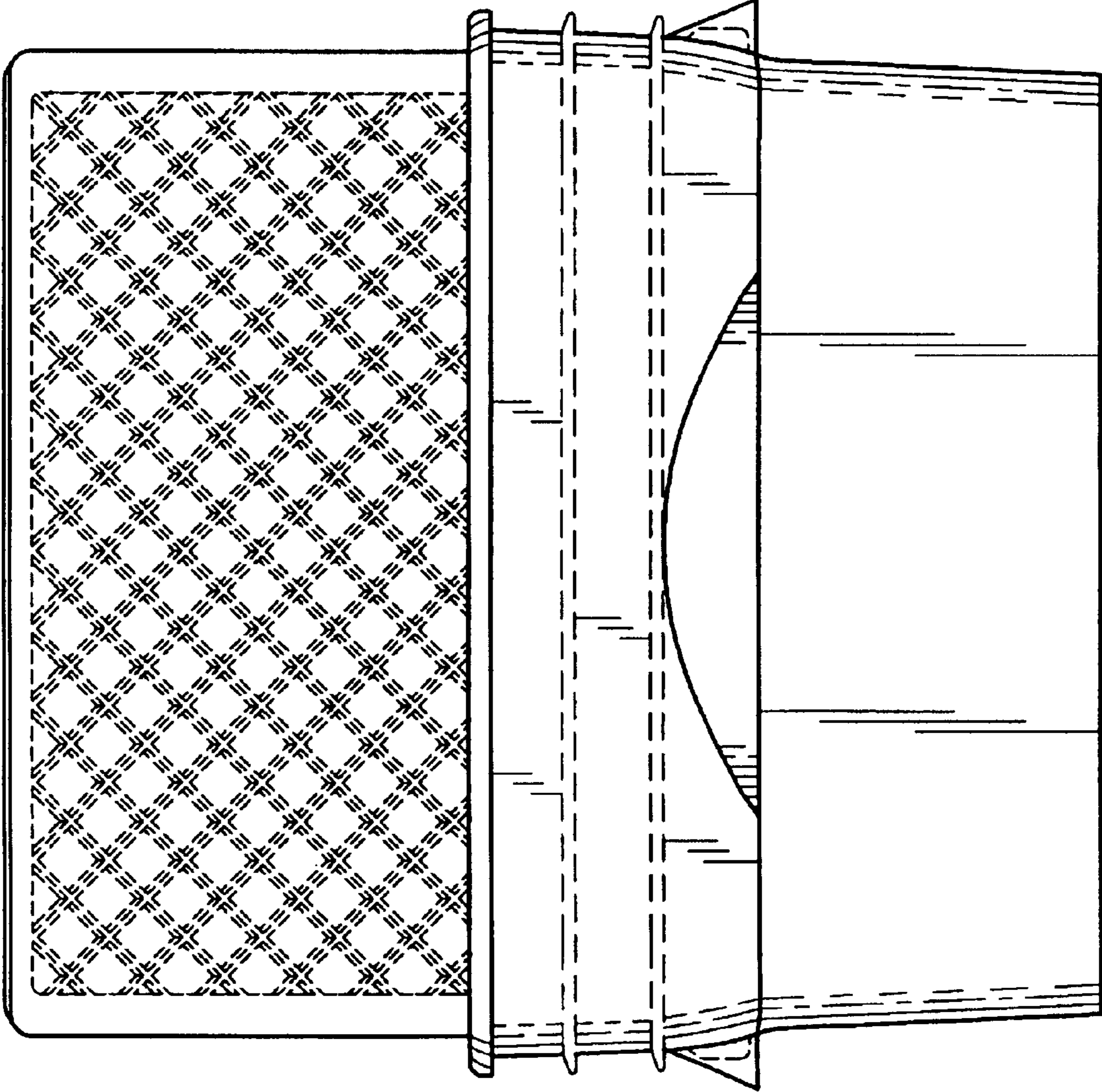


Fig. 4

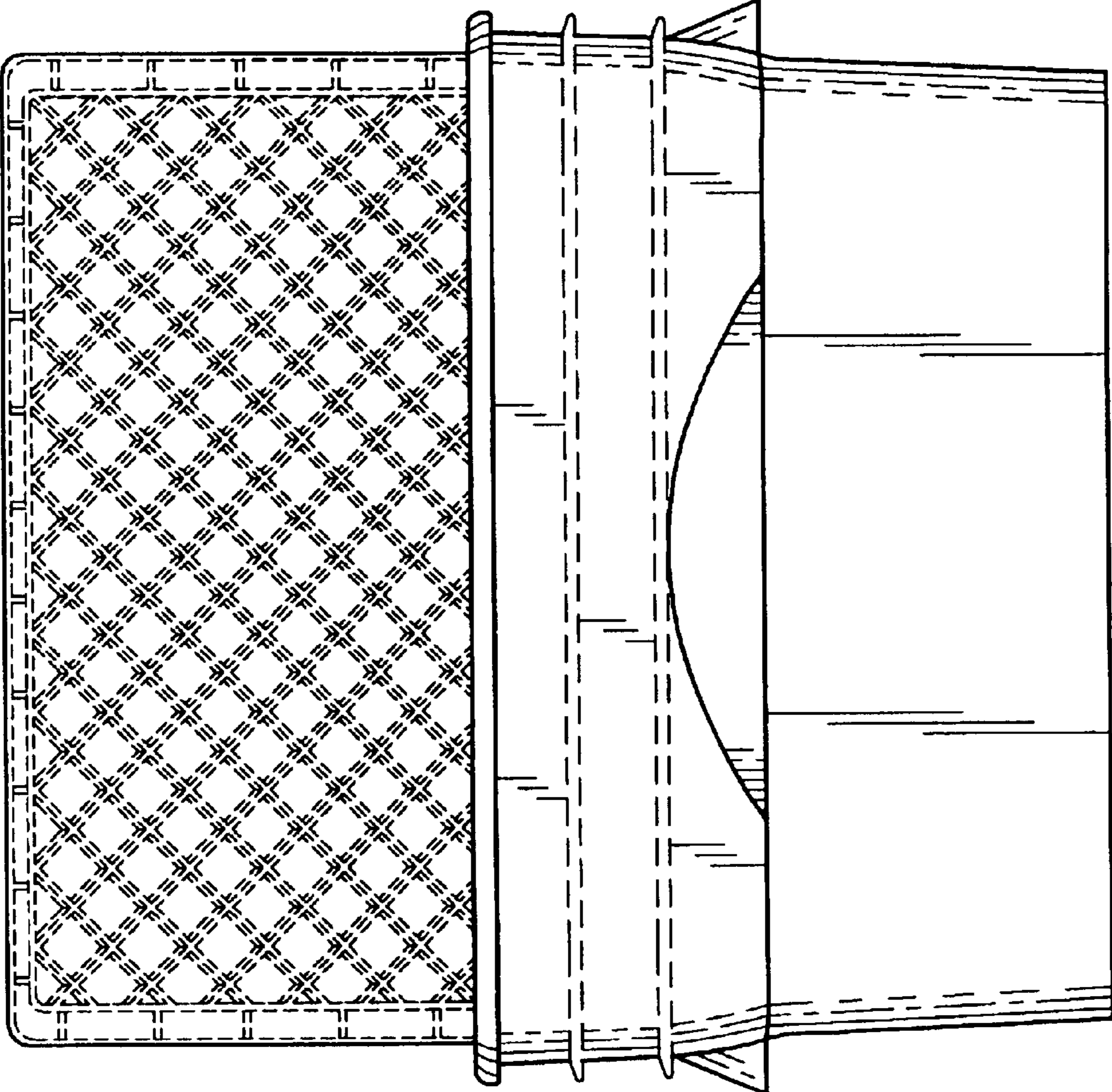


Fig. 5

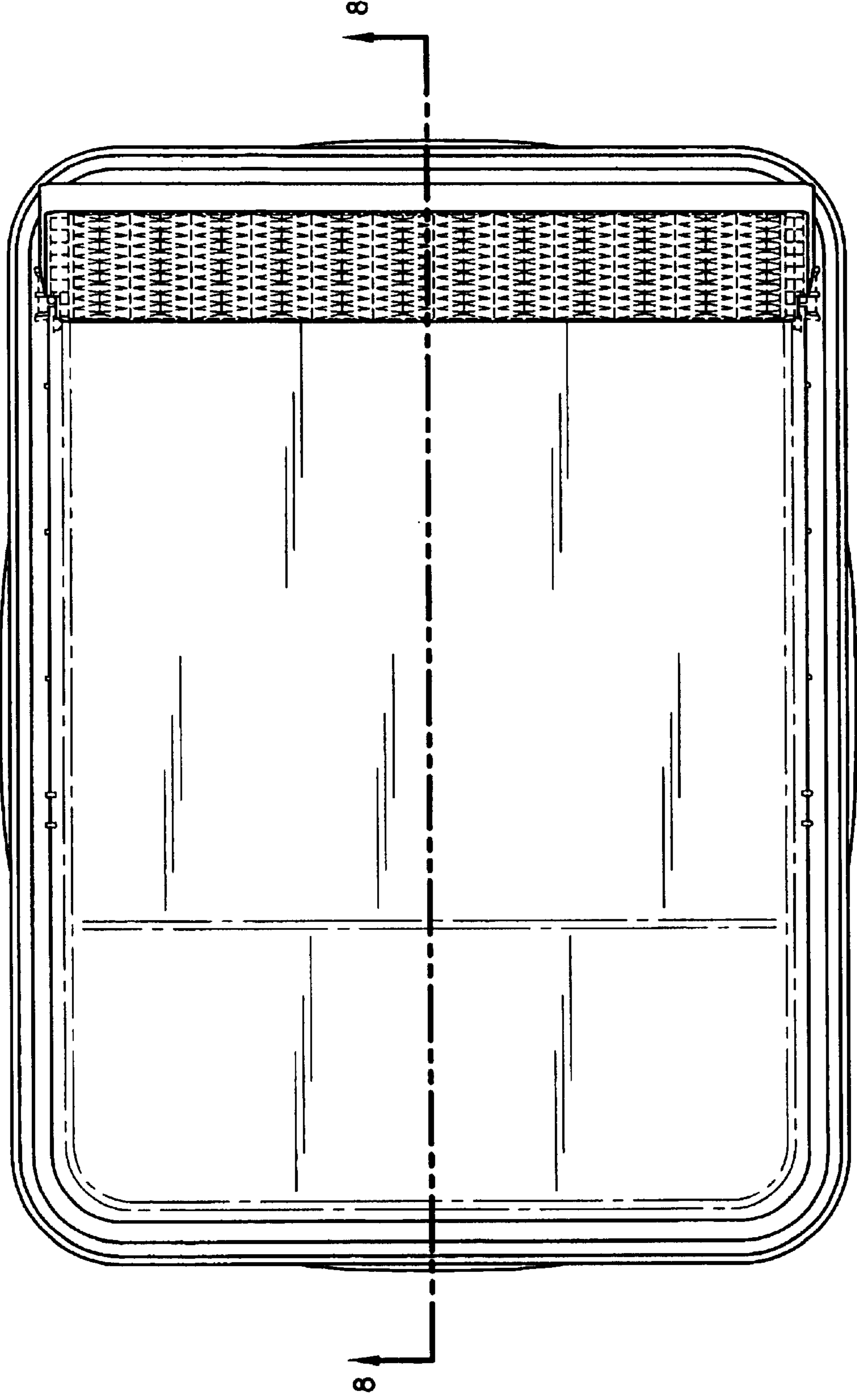


Fig. 6

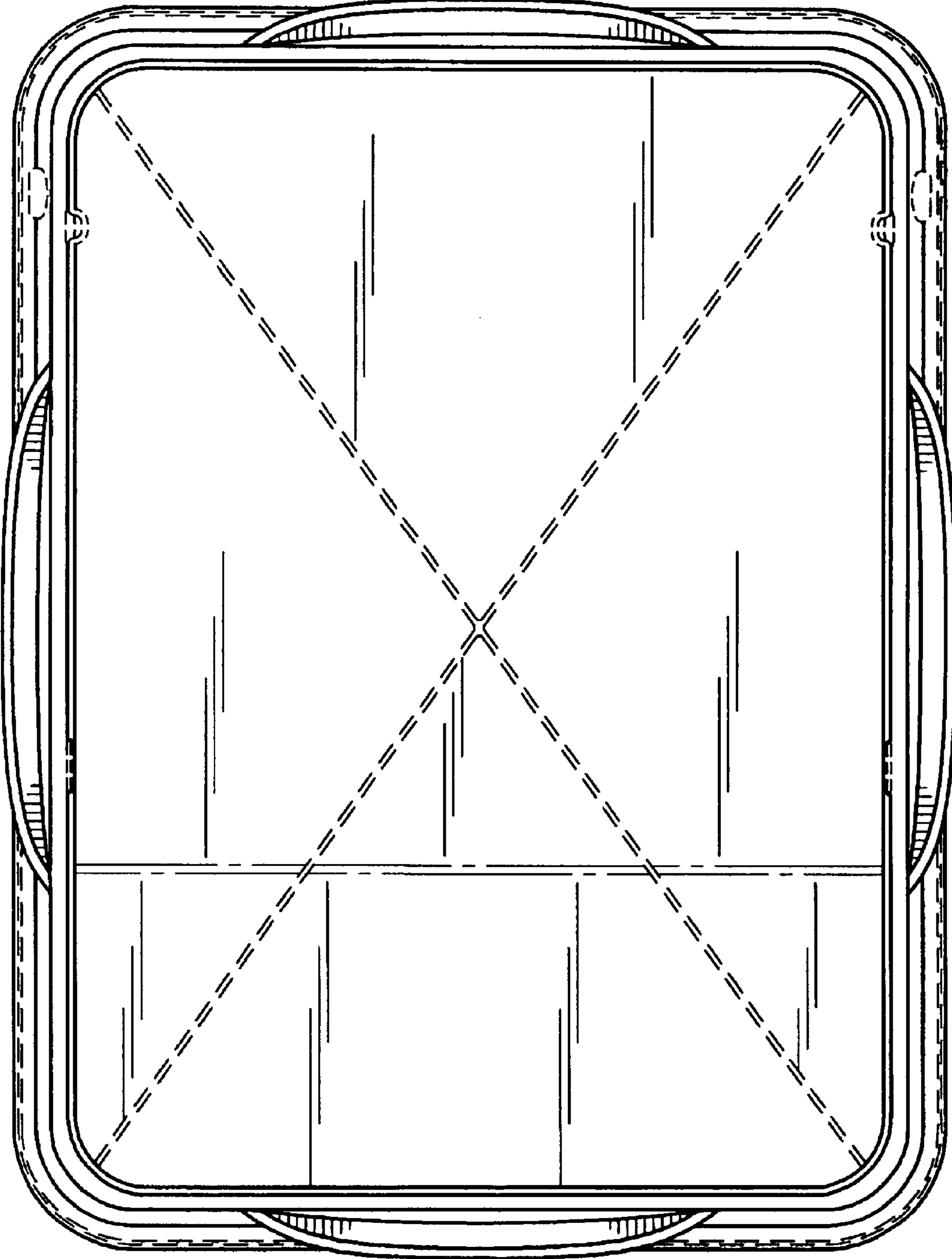


Fig. 7

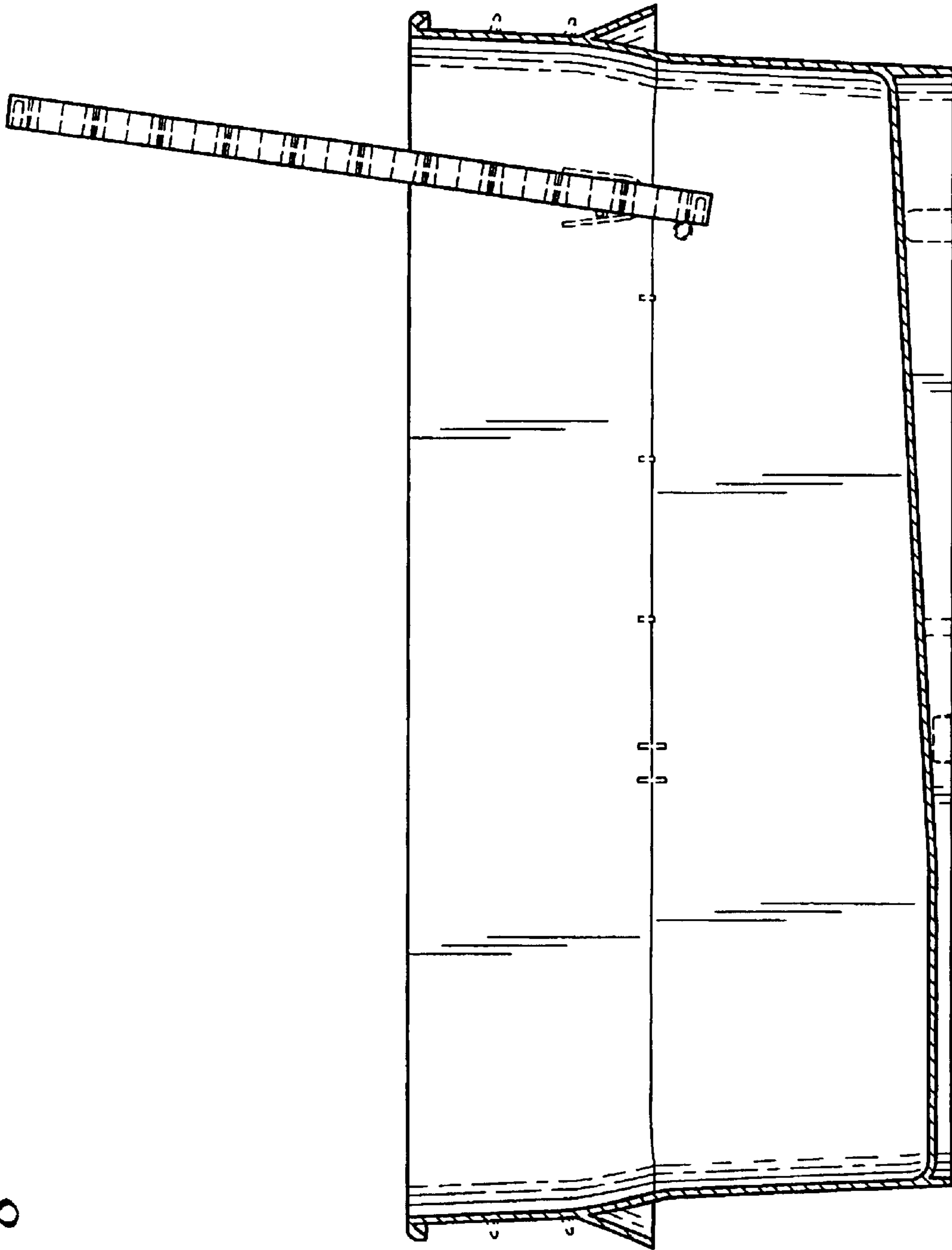


Fig. 8

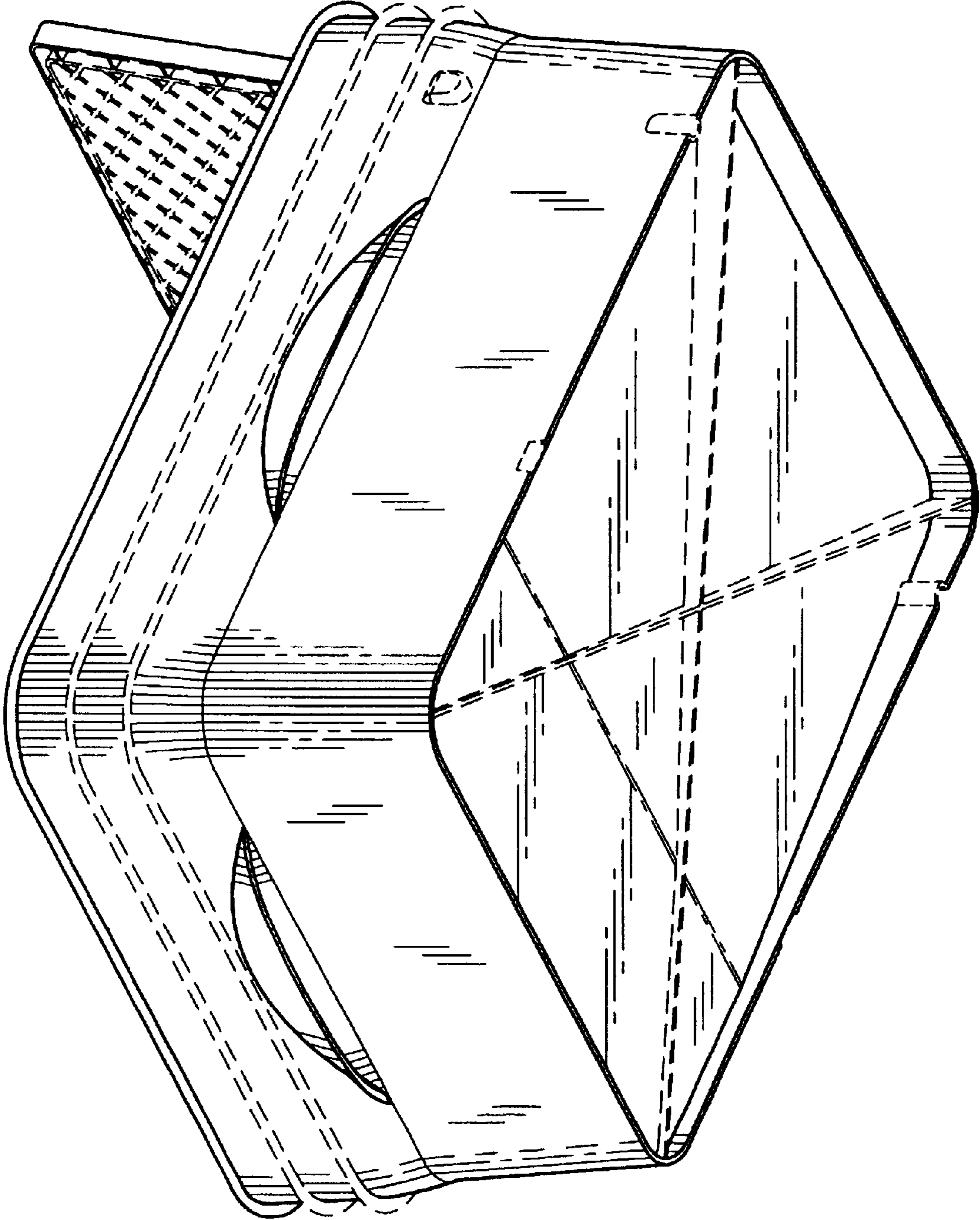


Fig. 9