



US00D524001S

(12) **United States Design Patent**
Carey et al.

(10) **Patent No.:** **US D524,001 S**
(45) **Date of Patent:** **** Jun. 27, 2006**

(54) **LAUNDRY APPLIANCE**

(75) Inventors: **Michael Robert Carey**, Coloma, MI (US); **Darryl C. Bodine**, St. Joseph, MI (US)

(73) Assignee: **Whirlpool Corporation**, Benton Harbor, MI (US)

(**) Term: **14 Years**

(21) Appl. No.: **29/235,912**

(22) Filed: **Aug. 8, 2005**

(51) **LOC (8) Cl.** **15-05**

(52) **U.S. Cl.** **D32/6**

(58) **Field of Classification Search** D32/1, D32/5-10, 25; 68/3 R, 4, 5 R, 12.01, 212, 68/12.08; 34/58, 108, 130, 131-2, 417, 499, 34/523-4, 595-7, 600, 603; 38/1 A; 312/31
See application file for complete search history.

(56) **References Cited**

U.S. PATENT DOCUMENTS

D450,164 S	*	11/2001	Dyson et al.	D32/6
D456,572 S		4/2002	Resuello et al.	D33/6
D457,991 S		5/2002	Baldwin et al.	D32/6
D457,992 S		5/2002	Baldwin et al.	D32/6
D459,844 S		7/2002	Baldwin et al.	D32/6
D463,631 S	*	9/2002	Baldwin et al.	D32/6
D477,898 S	*	7/2003	Geyer	D32/6
D495,453 S		8/2004	Baldwin et al.	D32/8
D495,775 S	*	9/2004	Sagawa et al.	D32/5
D496,709 S	*	9/2004	Suh et al.	D32/6
D502,577 S	*	3/2005	Baldwin et al.	D32/6

* cited by examiner

Primary Examiner—Louis S. Zarfaz

Assistant Examiner—Kathleen Sims

(74) *Attorney, Agent, or Firm*—McGarry Bair PC

(57) **CLAIM**

The ornamental design for a laundry appliance, as shown and described.

DESCRIPTION

FIG. 1 is a right front perspective view of the ornamental design for a first embodiment laundry appliance according to the invention;

FIG. 2 is a front elevational view of the laundry appliance of FIG. 1;

FIG. 3 is a right side elevational view of the laundry appliance of FIG. 1, the left side of which is a mirror image thereof;

FIG. 4 is a top plan view of the laundry appliance of FIG. 1;

FIG. 5 is a right front perspective view of the ornamental design for a second embodiment laundry appliance according to the invention;

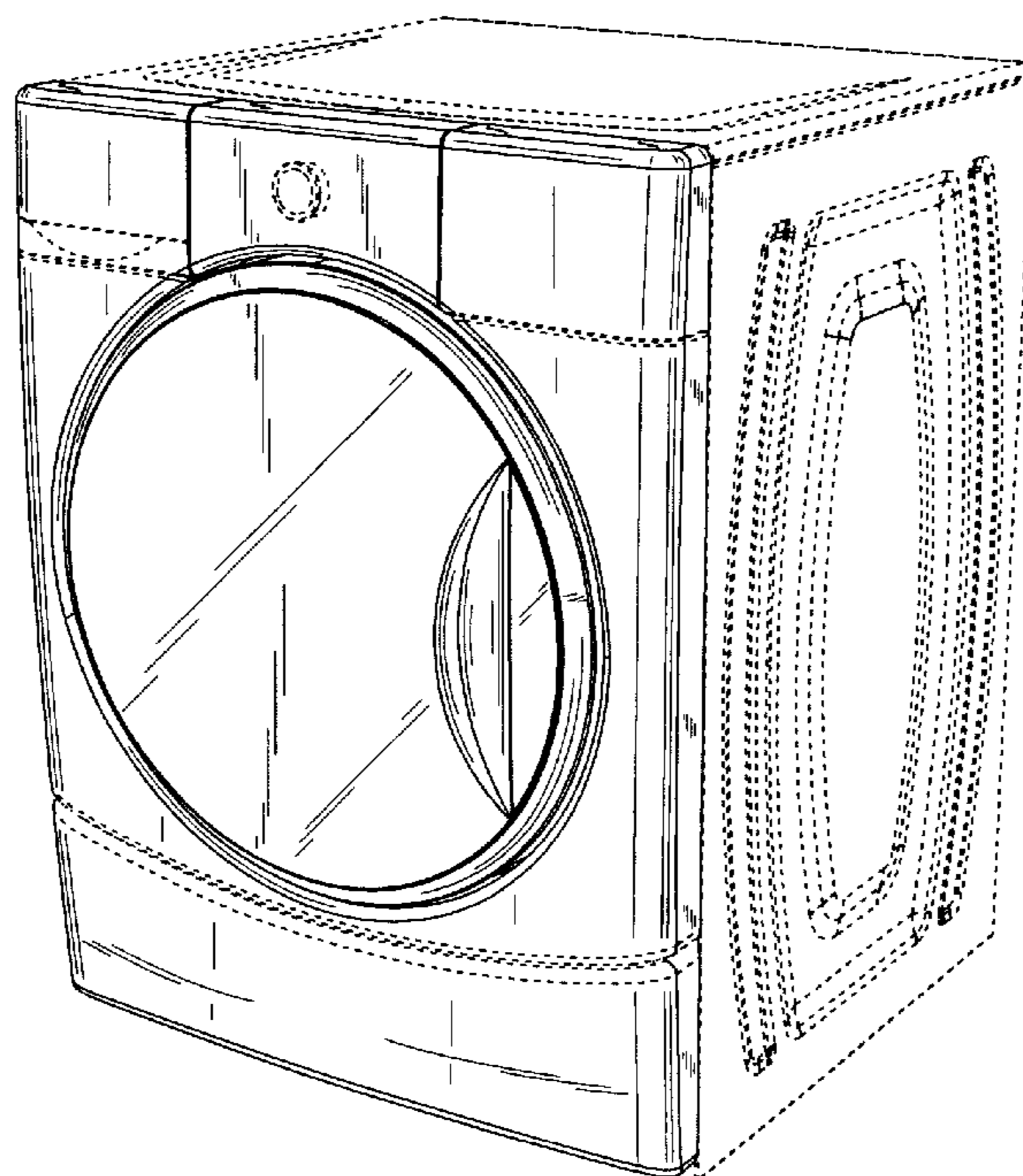
FIG. 6 is a front elevational view of the laundry appliance of FIG. 5;

FIG. 7 is a right side elevational view of the laundry appliance of FIG. 5, the left side of which is a mirror image thereof; and,

FIG. 8 is a top plan view of the laundry appliance of FIG. 5.

The structures depicted by means of broken lines in the figures have been shown for illustrative purposes only and form no part of the claimed design.

1 Claim, 8 Drawing Sheets



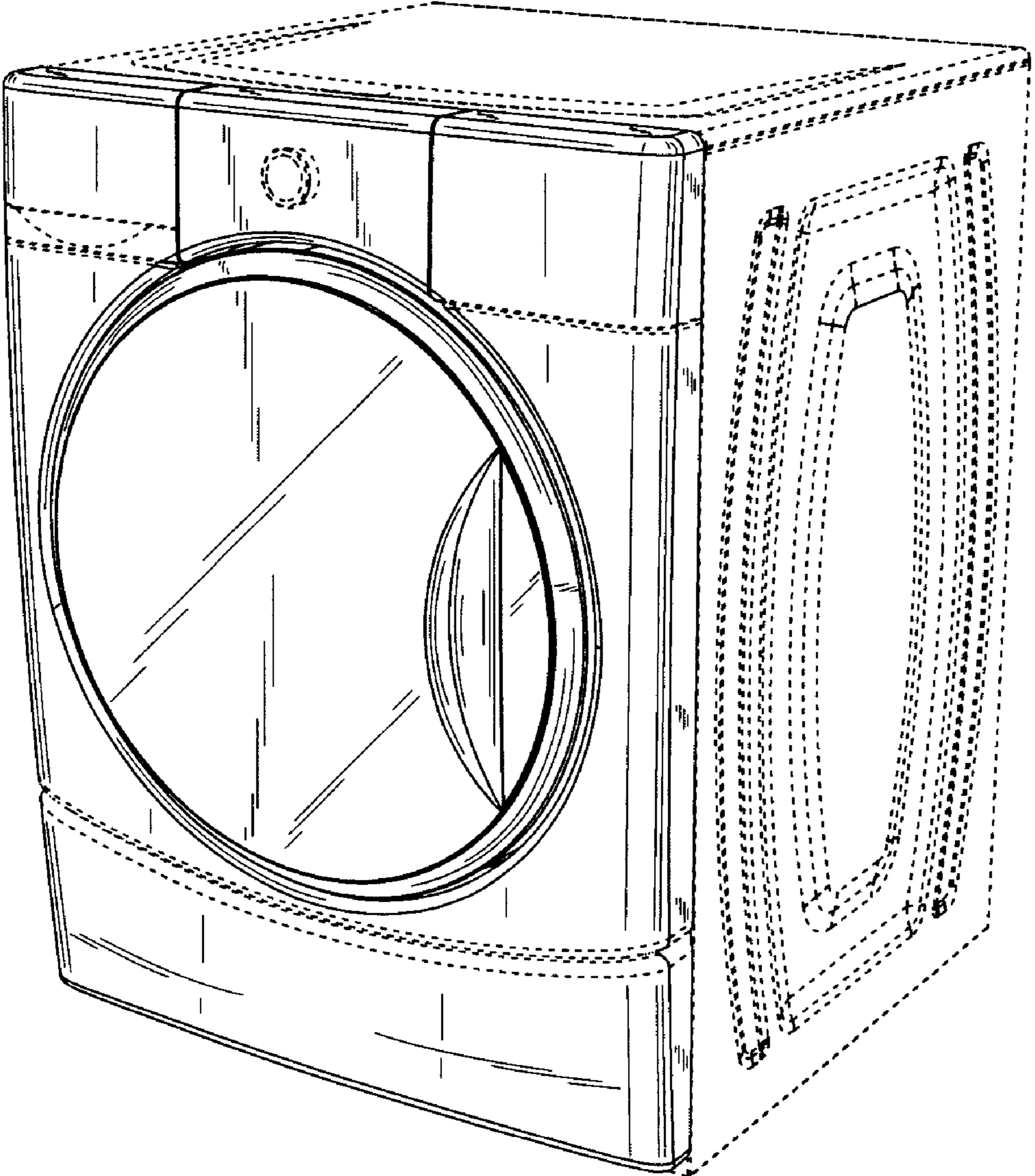


Fig. 1

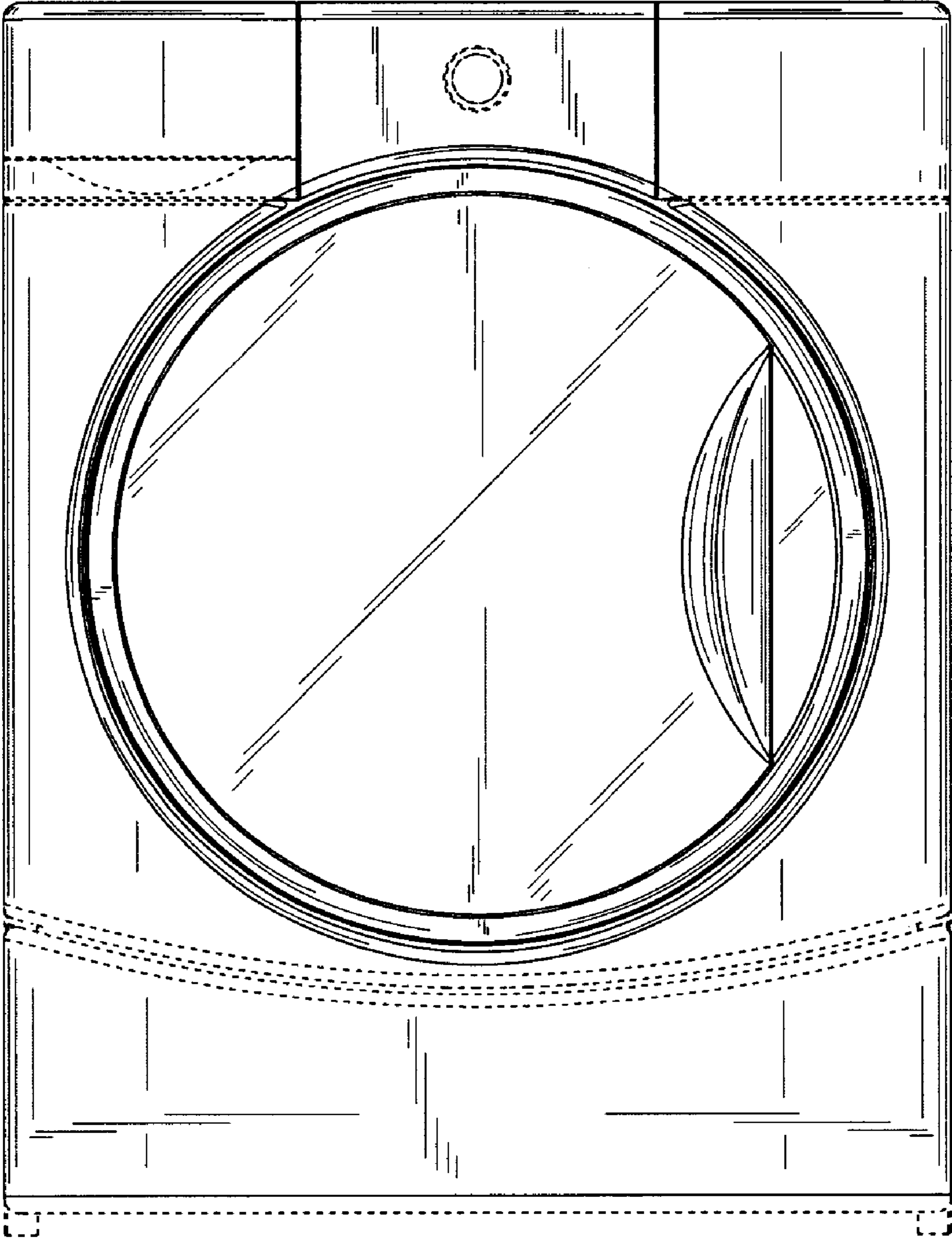


Fig. 2

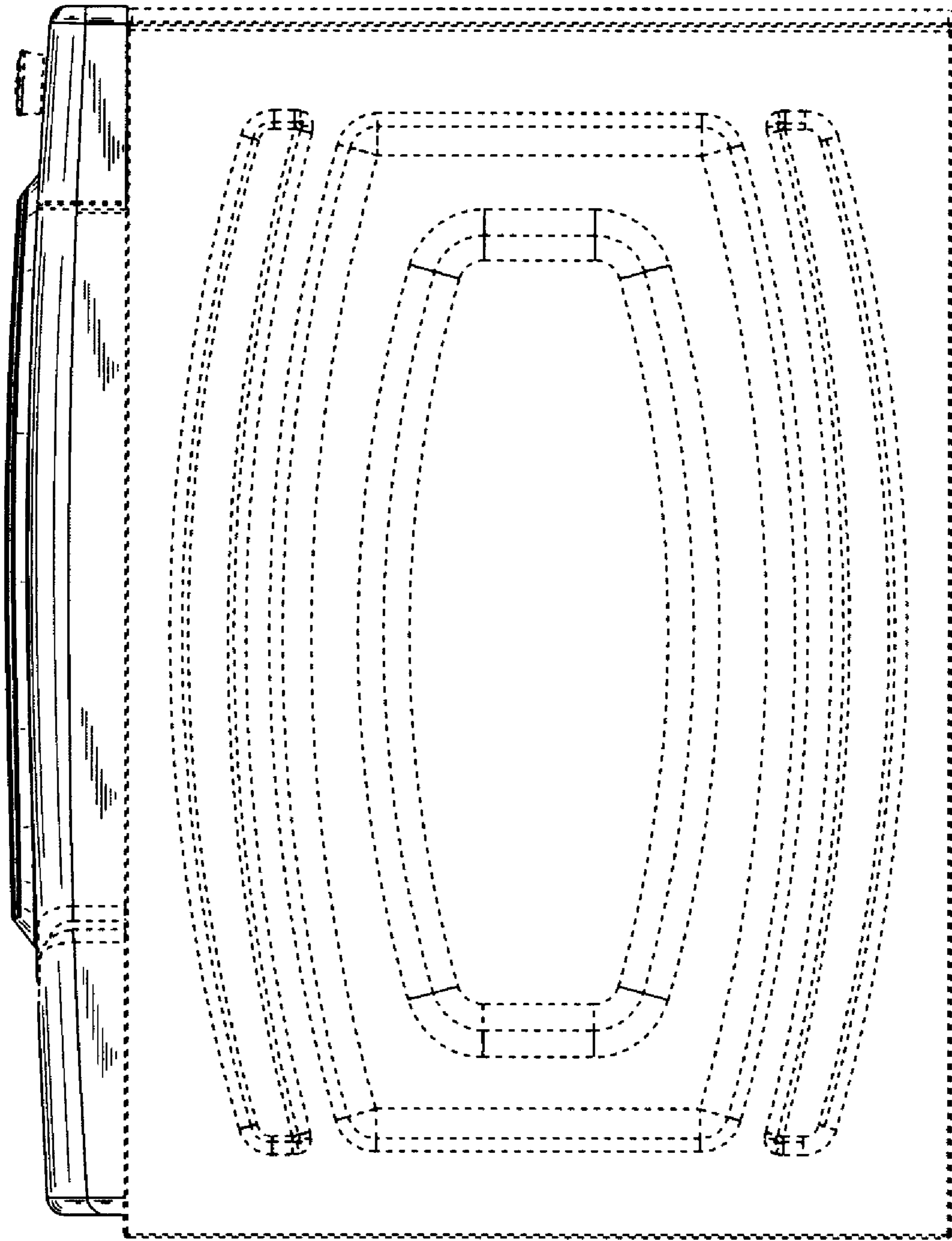


Fig. 3

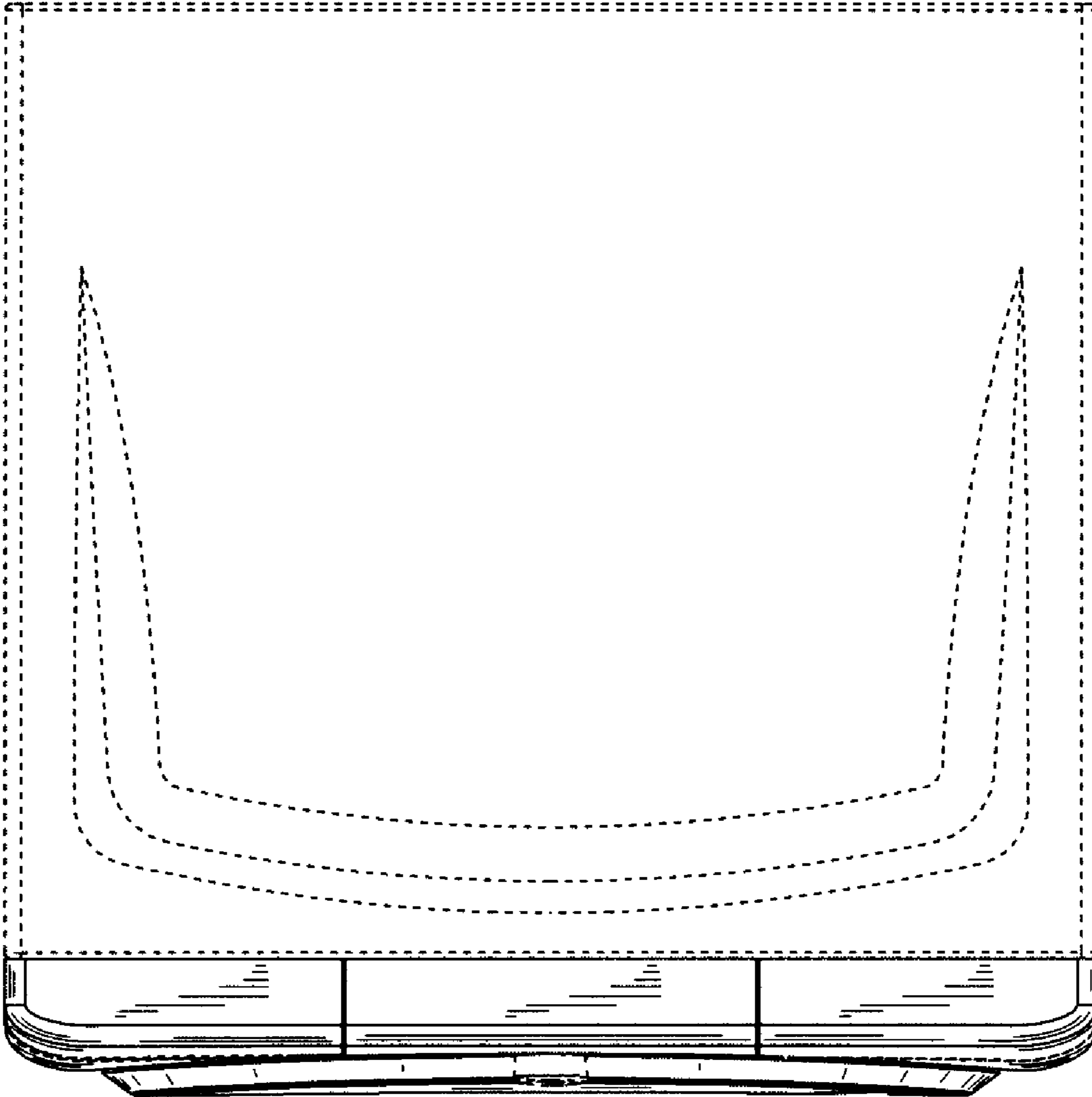


Fig. 4

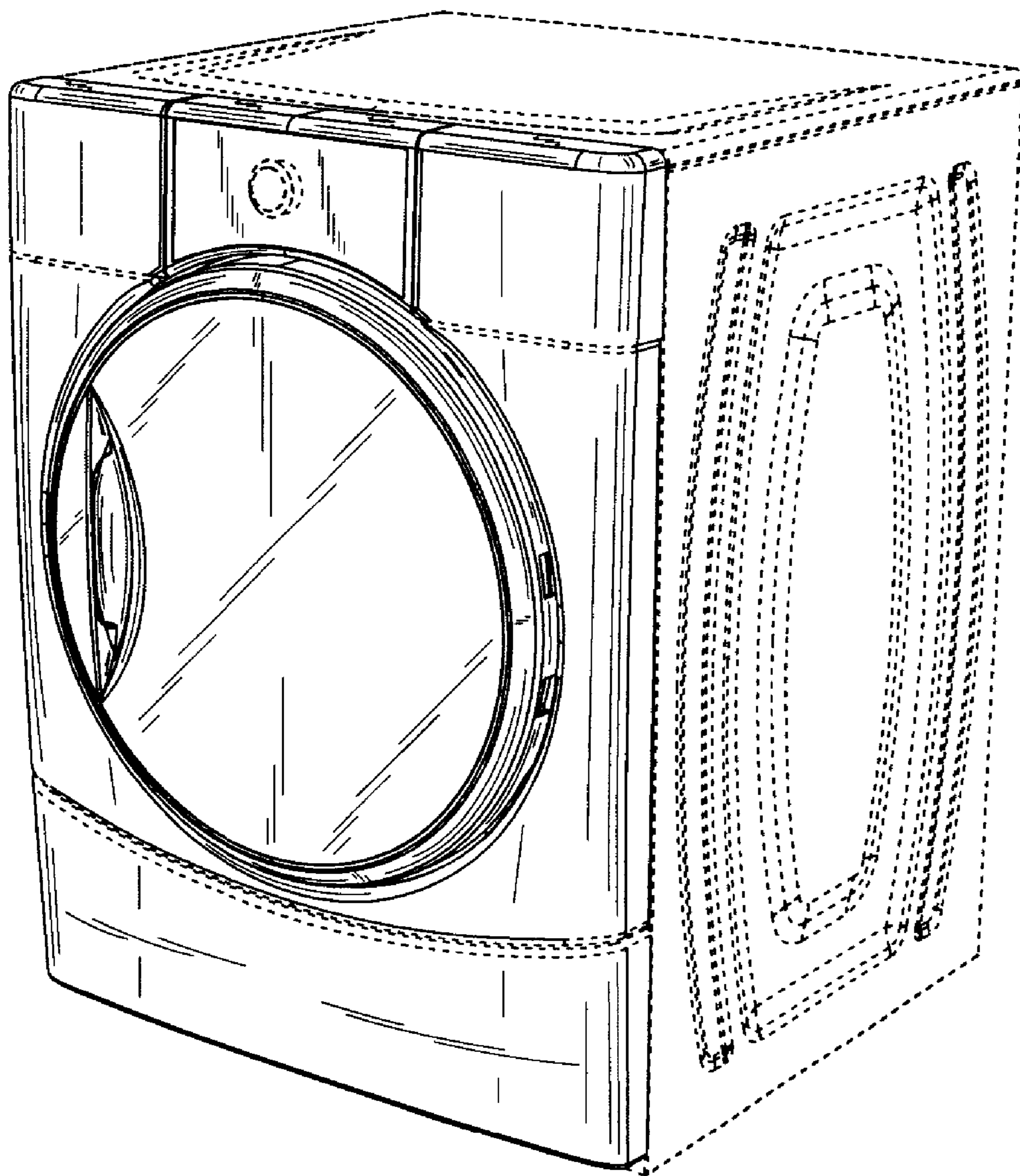


Fig. 5

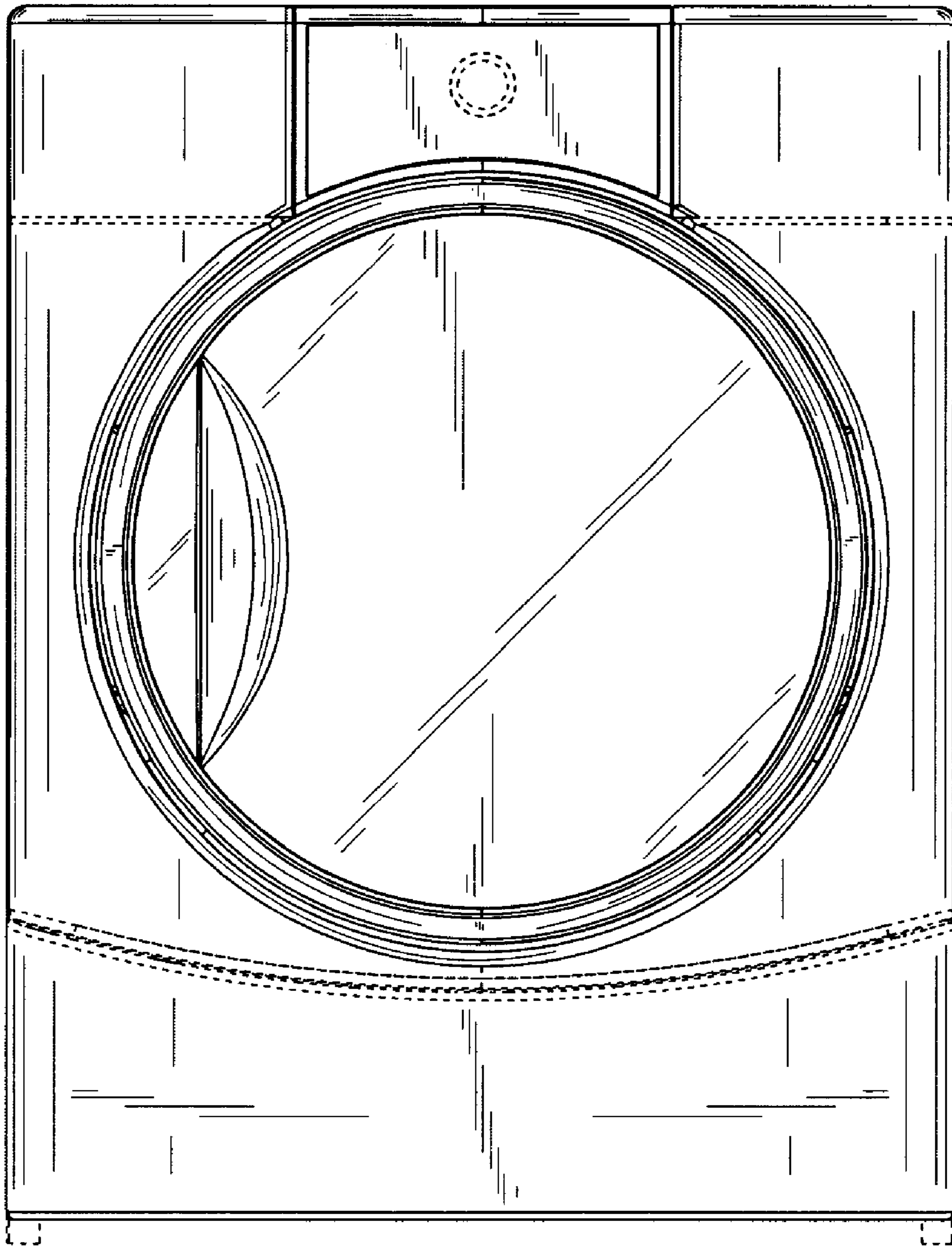


Fig. 6

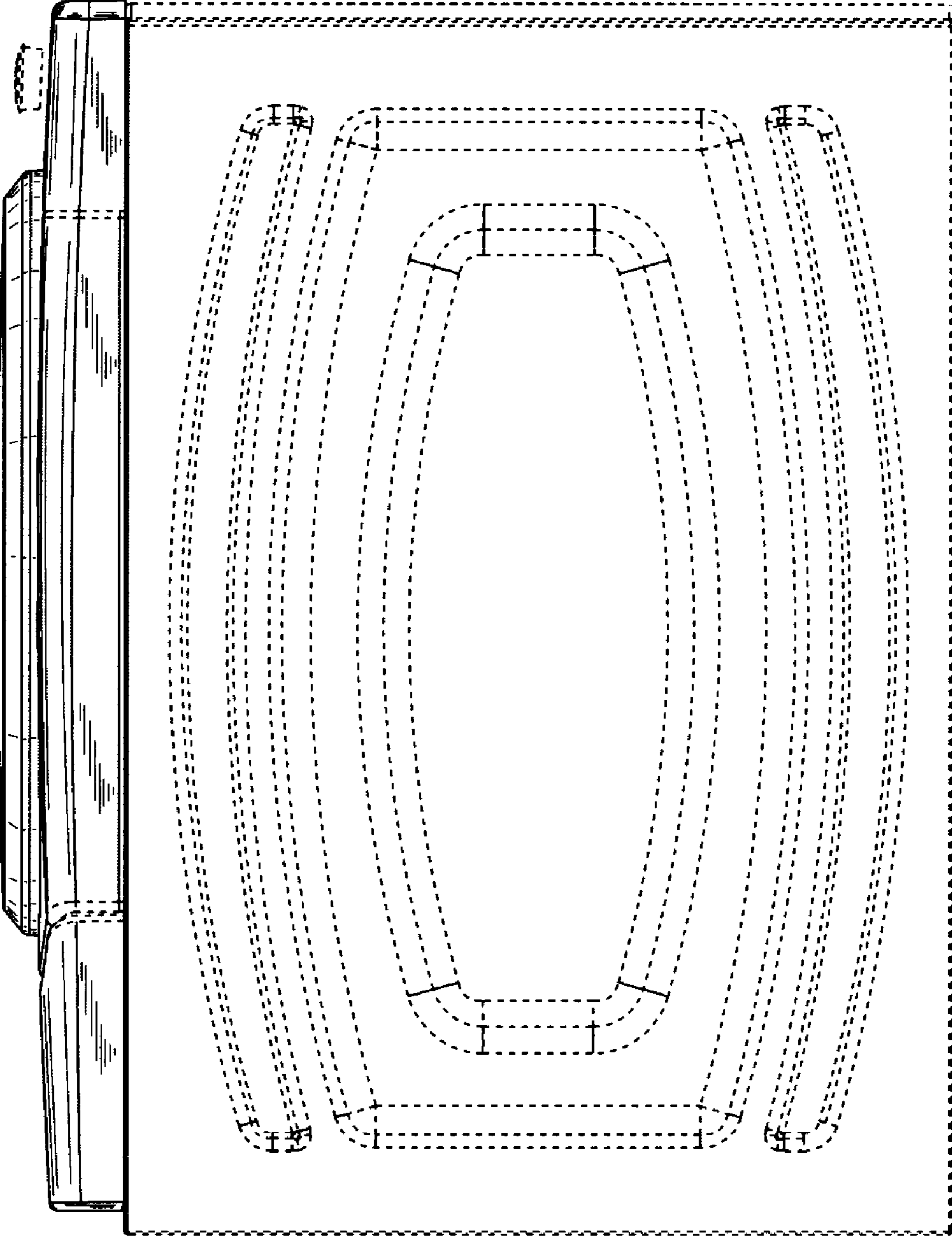


Fig. 7

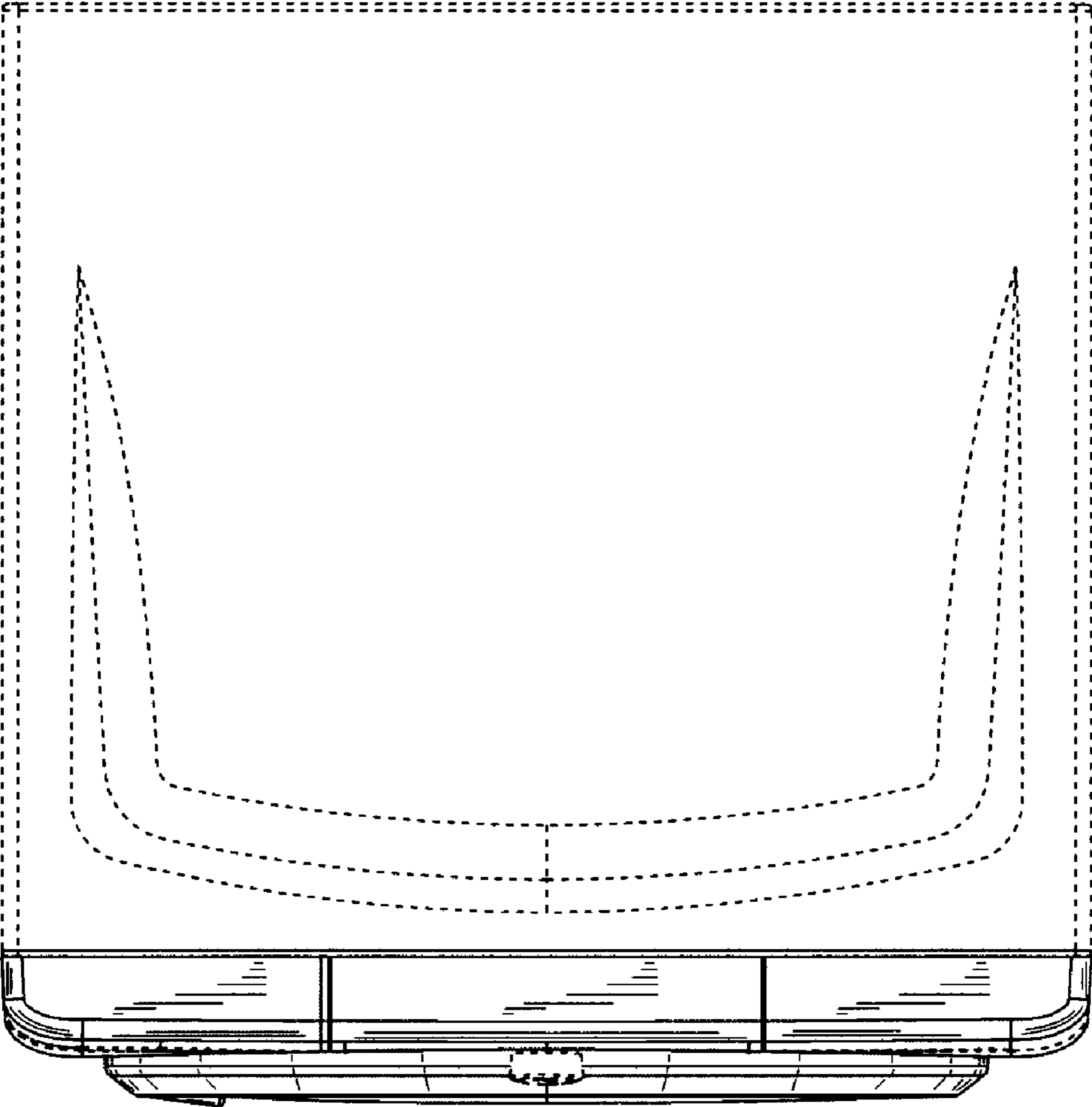


Fig. 8