



US00D523996S

(12) **United States Design Patent**
Fine

(10) **Patent No.:** **US D523,996 S**

(45) **Date of Patent:** **** Jun. 27, 2006**

(54) **PET BOWL**

(75) Inventor: **Neil Fine**, Northbrook, IL (US)

(73) Assignee: **Neil Enterprises, Inc.**, Vernon Hills, IL (US)

(**) Term: **14 Years**

(21) Appl. No.: **29/225,865**

(22) Filed: **Mar. 21, 2005**

(51) **LOC (8) Cl.** **30-03**

(52) **U.S. Cl.** **D30/129**

(58) **Field of Classification Search** D30/128-133,
D30/121; 119/61.5, 51.5, 51.01, 61.54, 59,
119/63, 57.5, 61.55; D7/584, 505, 553.4-553.8,
D7/546; D9/447, 454, 438, 452

See application file for complete search history.

(56) **References Cited**

U.S. PATENT DOCUMENTS

3,810,446	A	*	5/1974	Kightlinger et al.	119/61.55
3,995,595	A	*	12/1976	Williams	119/61.53
D281,754	S	*	12/1985	Trombly	D7/540
D292,676	S	*	11/1987	Mileto	D9/454
D313,487	S	*	1/1991	Conner	D30/129
5,009,310	A	*	4/1991	Finney	206/229
5,209,184	A	*	5/1993	Sharkan et al.	119/61.56
D353,769	S	*	12/1994	Miller	D9/438
D377,961	S	*	2/1997	Dickson et al.	D22/122
5,724,914	A	*	3/1998	Nemeth	119/61.55
5,752,464	A	*	5/1998	King et al.	119/63
6,230,653	B1	*	5/2001	Tobin	119/72
D446,362	S		8/2001	Choi et al.		
6,401,954	B1		6/2002	Gamble		
D467,687	S		12/2002	Tangolics		
D473,791	S	*	4/2003	Loris	D9/447

OTHER PUBLICATIONS

Article titled "Merryvaluations: Classy Dog Bowls by Jo Sherwood Designs" appearing on www.pamperedpuppy.com website.

Article titled "Strawberry Fool—Pampered Pets—Dog Bowls—Dog Bowl—Clear with Bones" appearing on www.strawberryfool.co.uk.

Article titled "Bowls, Feeders and Waterers from Omaha Vaccine" appearing on www.pestsuppliesdelivered.com.

Article titled "Objects of Design" appearing on www.objects-of-design.com website.

Article titled "D-Pendable Family Store" appearing in www.dpent.com website.

* cited by examiner

Primary Examiner—Alan P. Douglas

Assistant Examiner—Susan Moon Lee

(74) *Attorney, Agent, or Firm*—Patzik, Frank & Samotny Ltd.

(57) **CLAIM**

The ornamental design for a pet bowl, as shown and described.

DESCRIPTION

FIG. 1 is a front perspective view of a pet bowl showing the new ornamental design thereof;

FIG. 2 is a bottom perspective view thereof;

FIG. 3 is a top plan view thereof;

FIG. 4 is a bottom plan view thereof;

FIG. 5 is a front elevational view thereof, the rear and side views being a mirror image;

FIG. 6 is a bottom exploded perspective view

FIG. 7 is a bottom plan view of a second embodiment of a pet bowl; and,

FIG. 8 is a bottom perspective view of a second embodiment of a pet bowl.

1 Claim, 4 Drawing Sheets

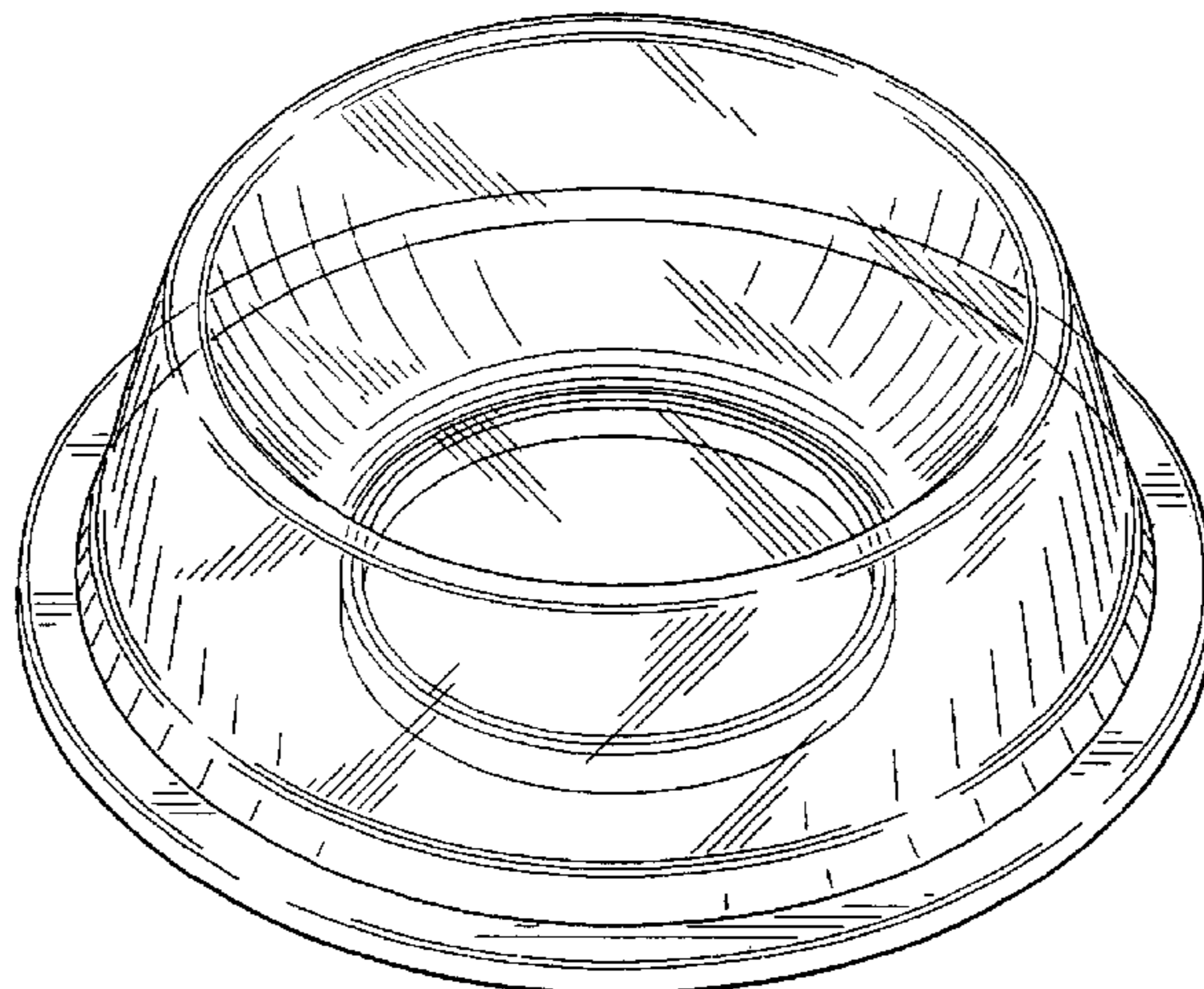


FIG.1

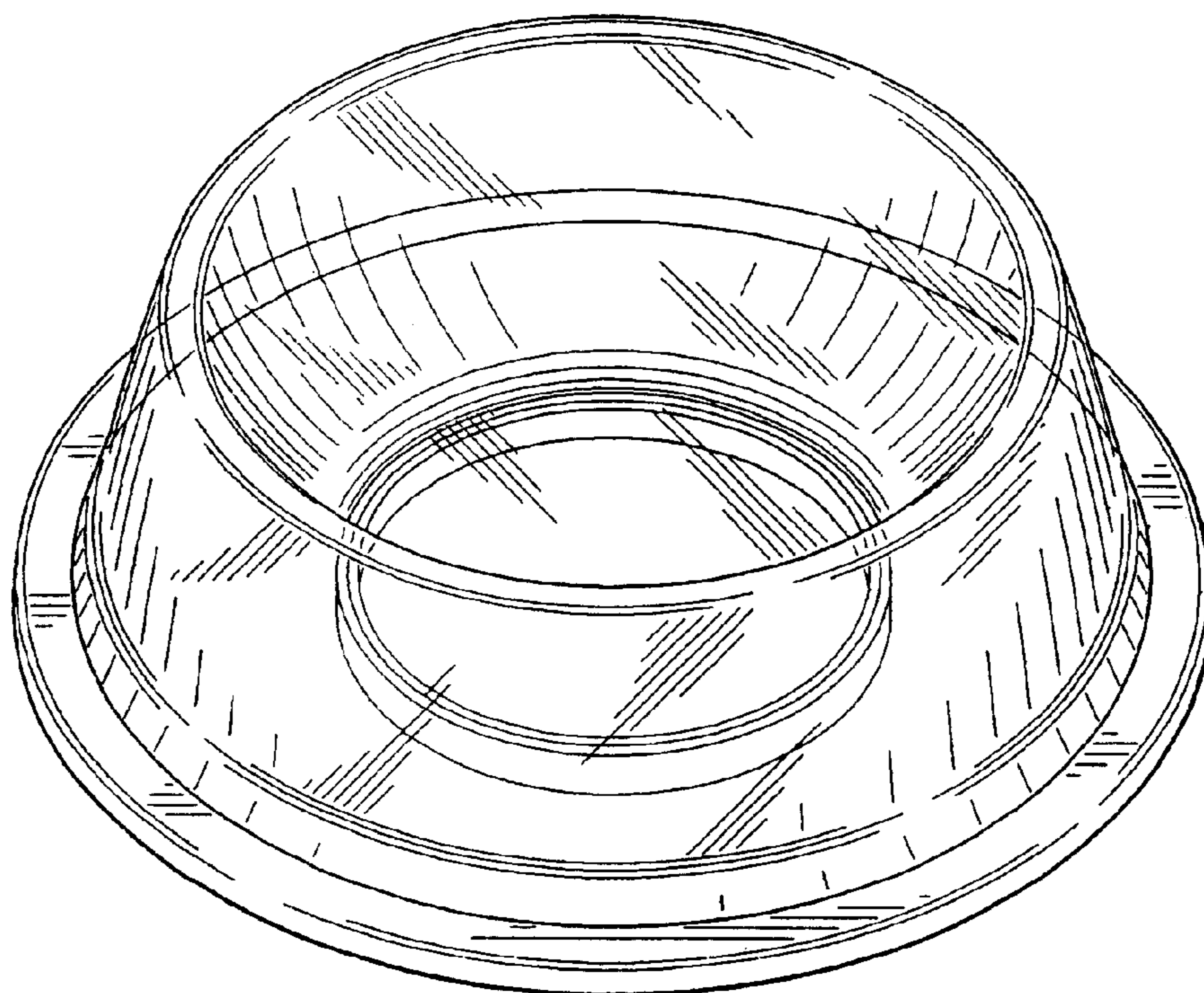


FIG.2

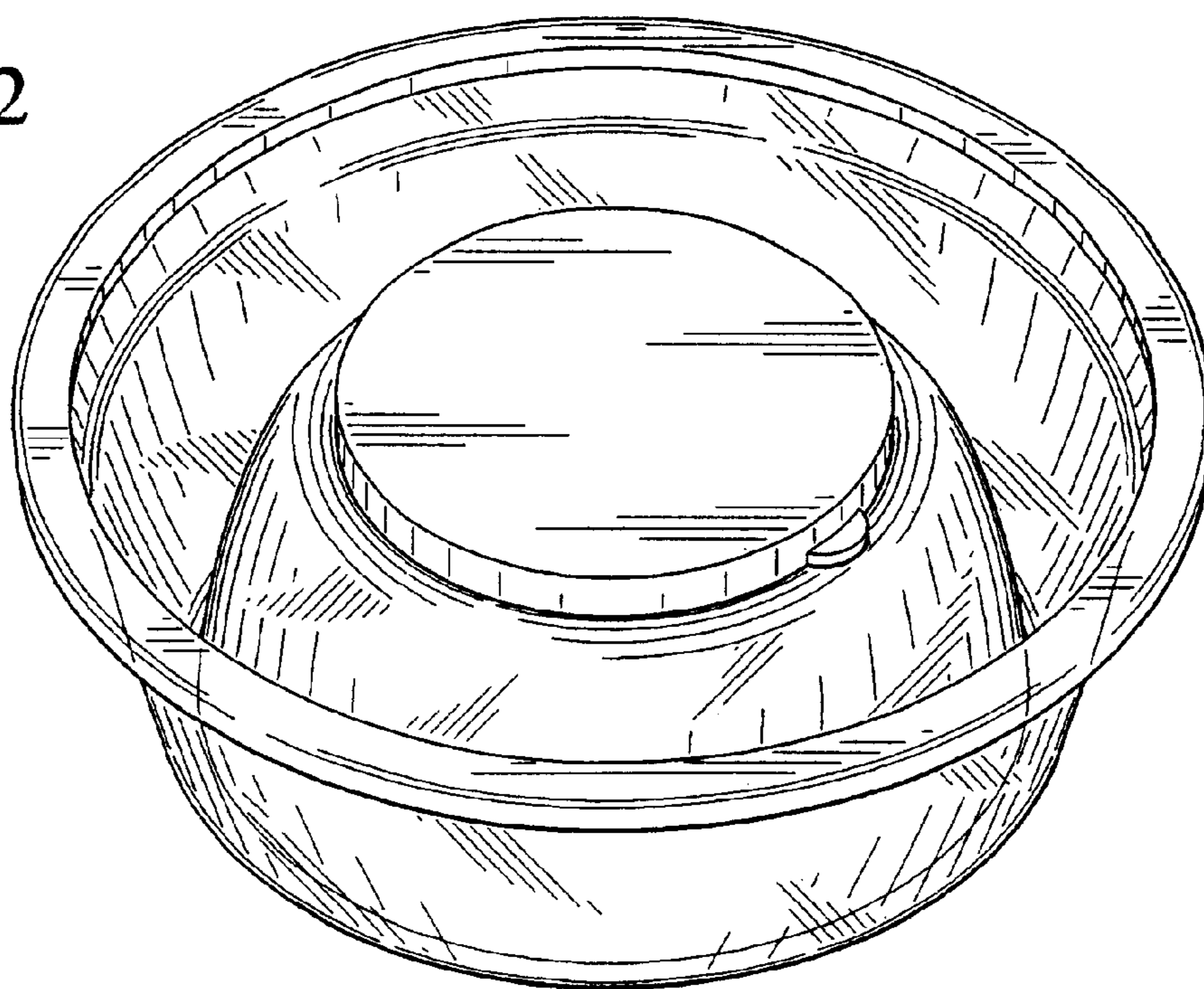


FIG. 3

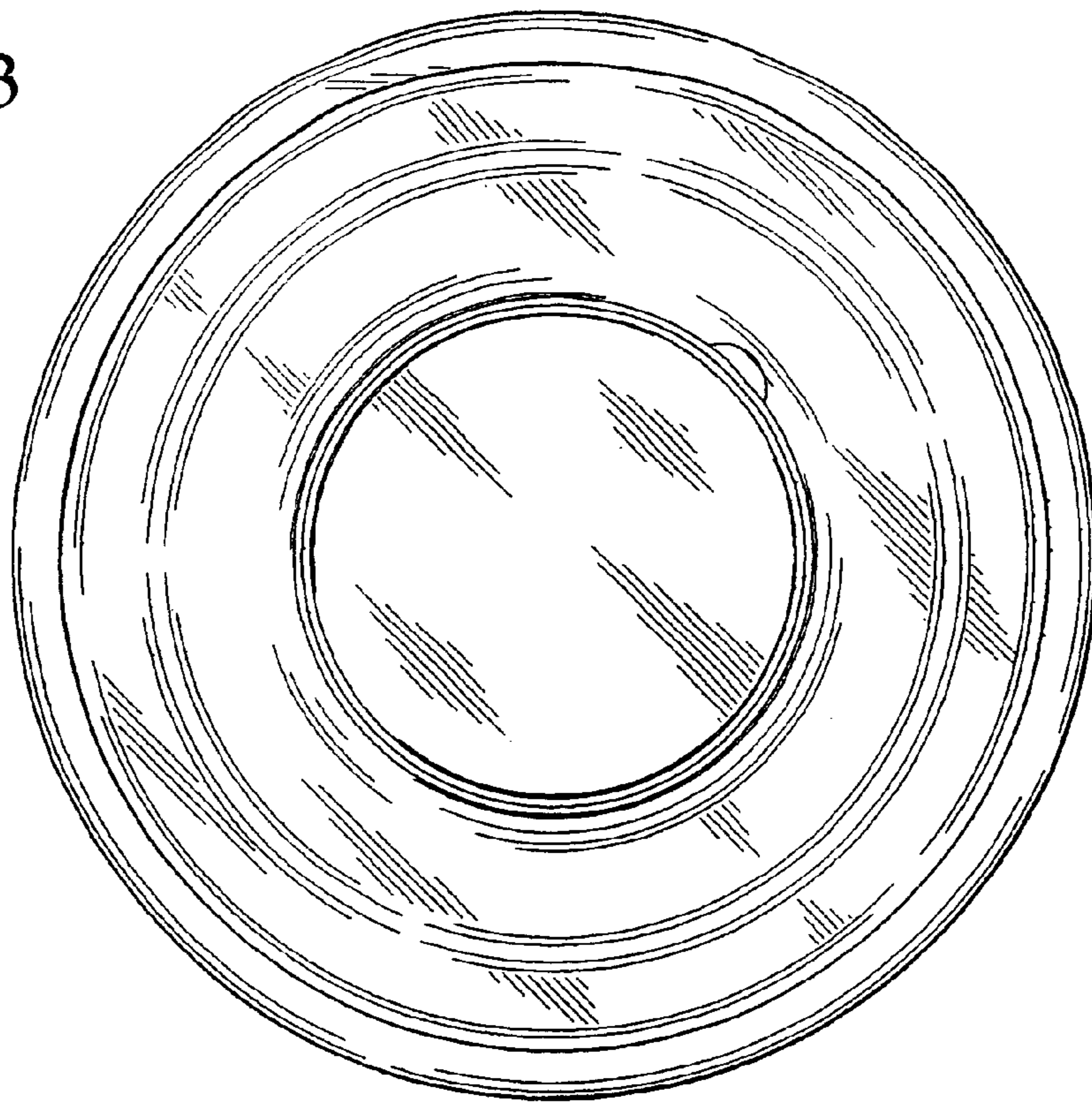


FIG. 4

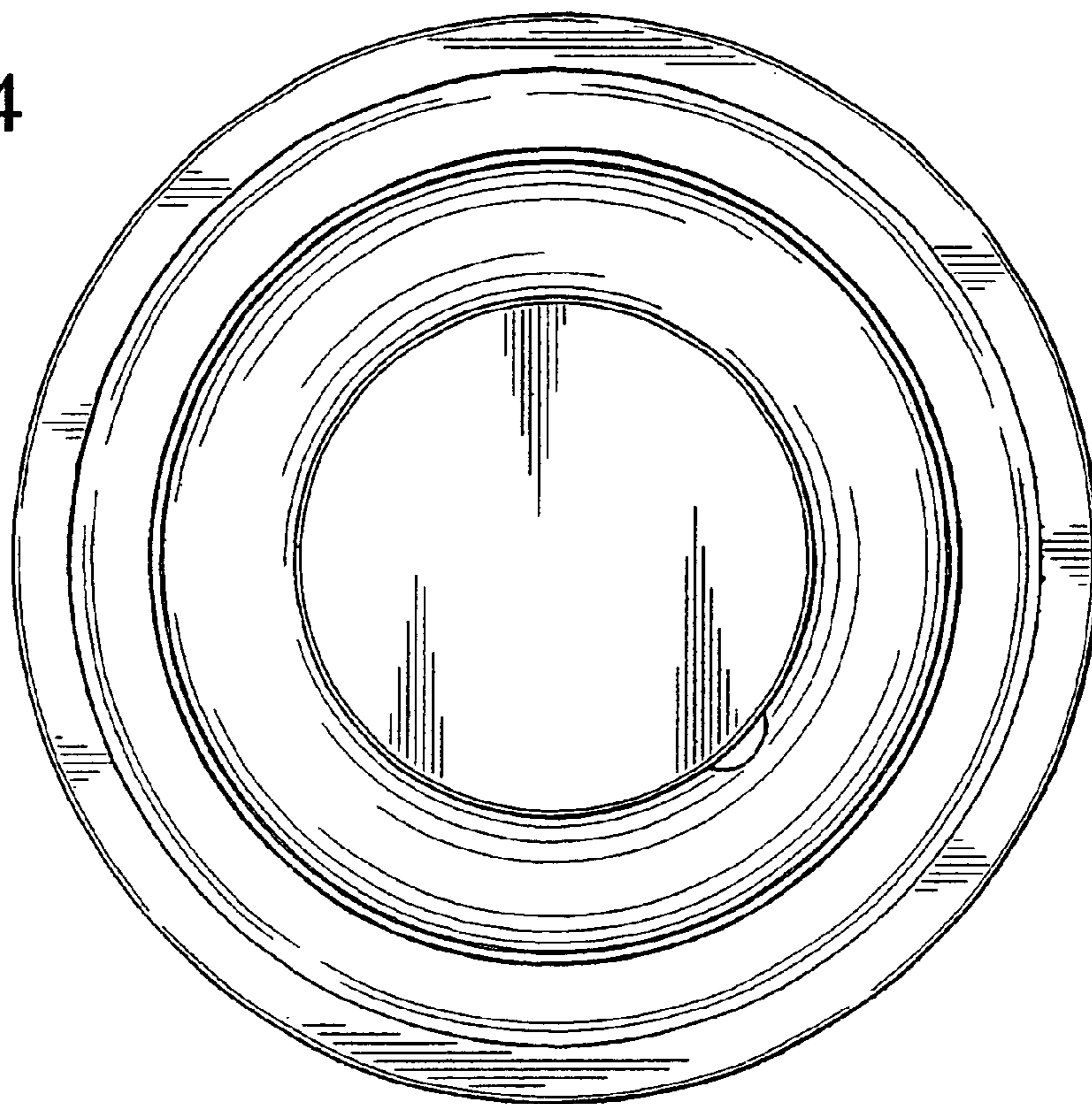


FIG.5

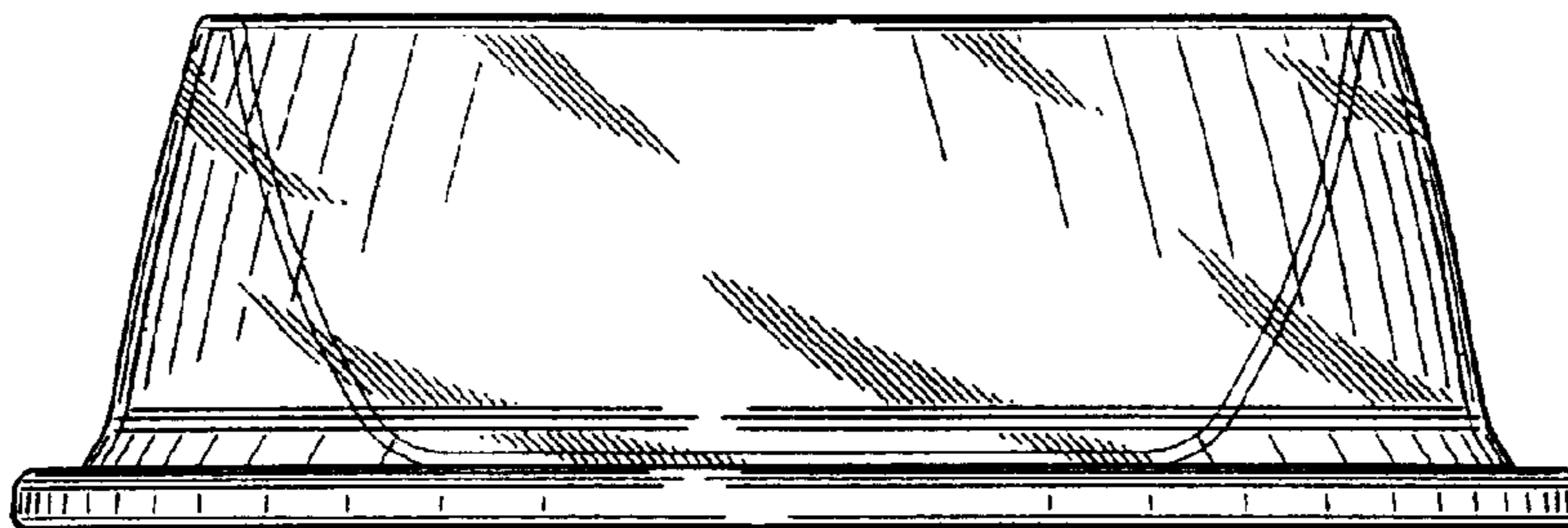


FIG.6

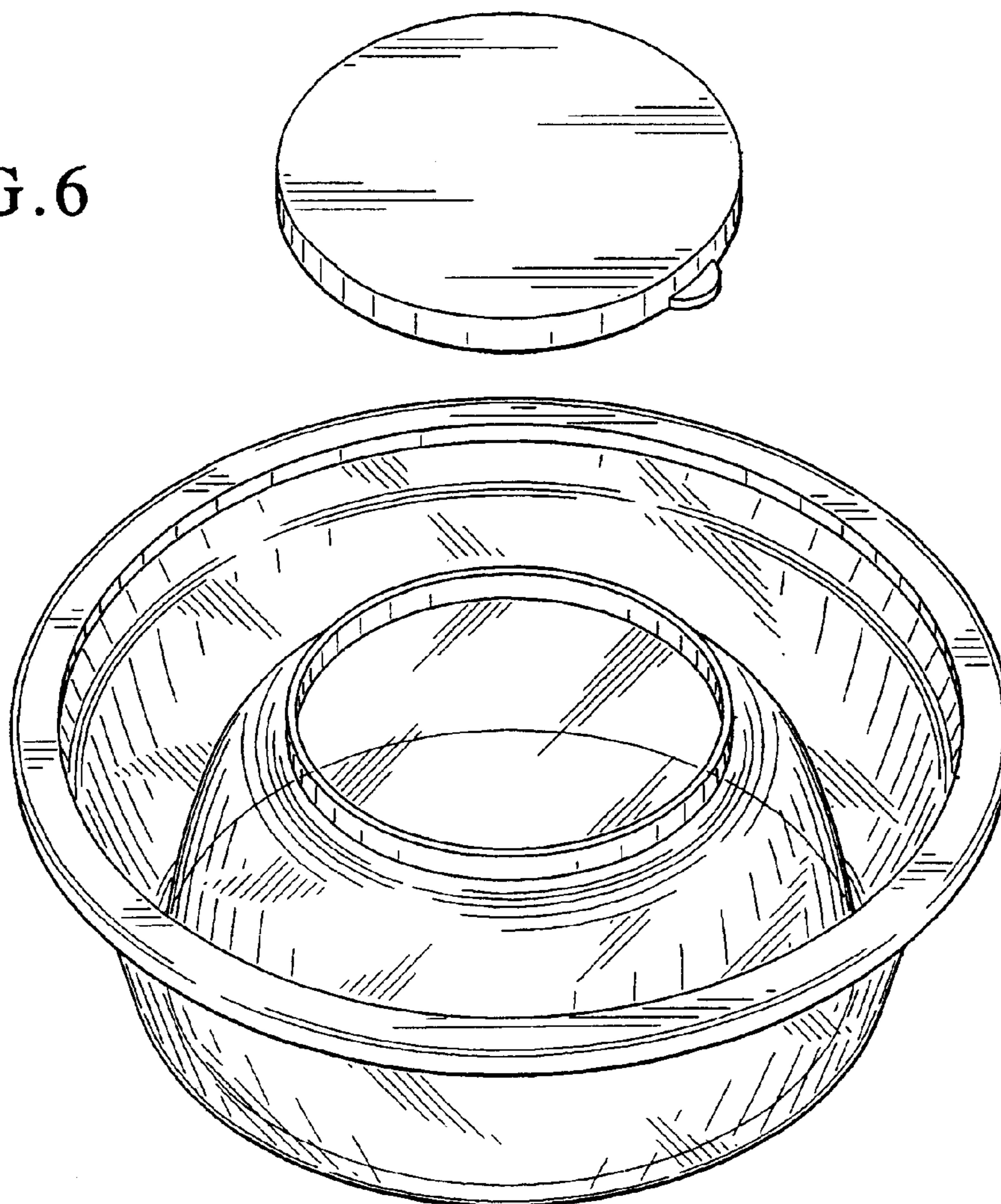


FIG. 7

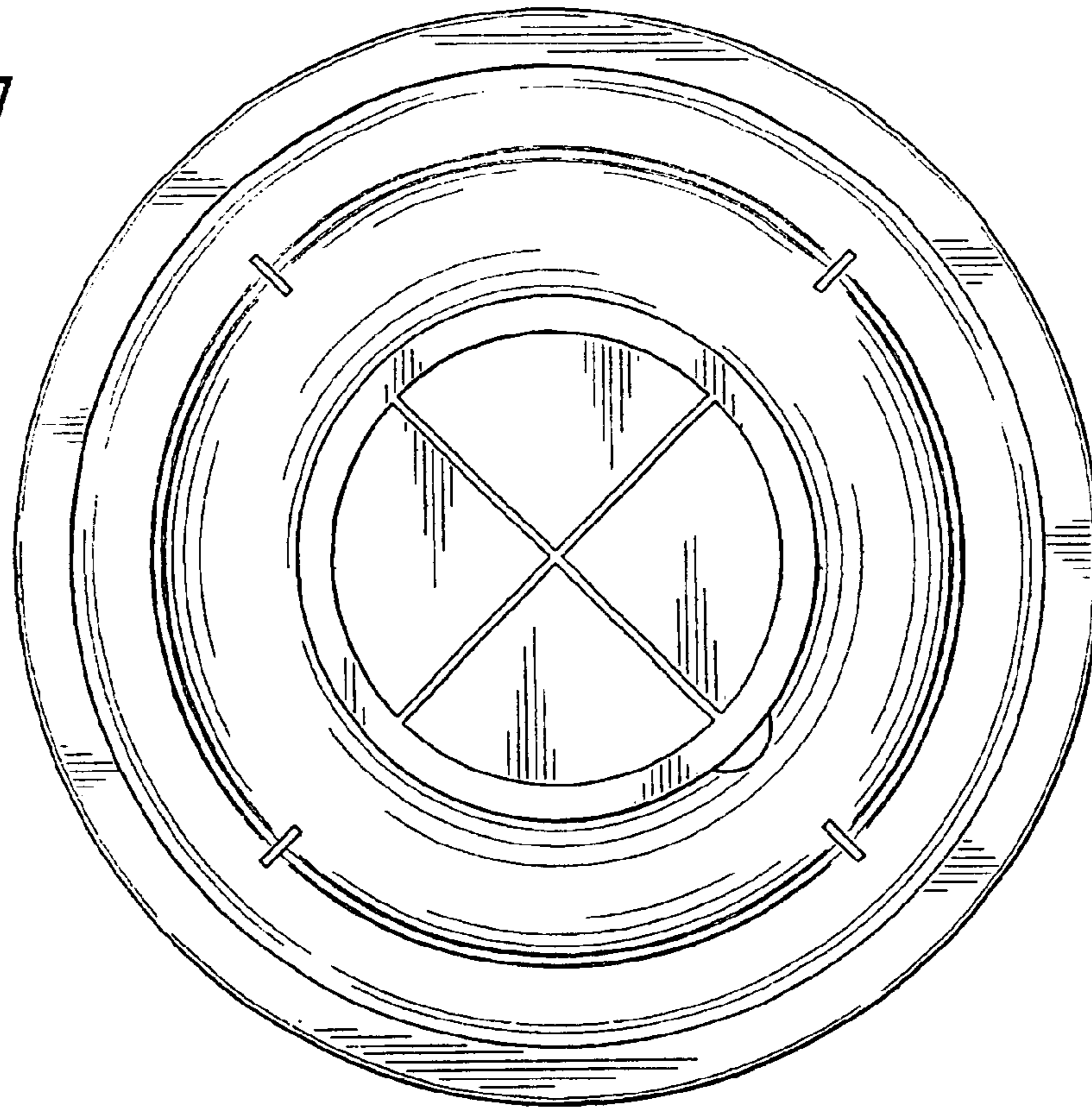


FIG. 8

