



US00D523994S

(12) **United States Design Patent**
Manzo

(10) **Patent No.:** **US D523,994 S**
(45) **Date of Patent:** **** Jun. 27, 2006**

(54) **MOUTH GUARD**

(75) Inventor: **Joseph S. Manzo**, Conshocken, PA
(US)

(73) Assignee: **Brain Pad, Inc.**, Conshohocken, PA
(US)

(**) Term: **14 Years**

(21) Appl. No.: **29/224,057**

(22) Filed: **Feb. 25, 2005**

(51) **LOC (8) Cl.** **29-02**

(52) **U.S. Cl.** **D29/108**

(58) **Field of Classification Search** D29/108,
D29/122; D24/176, 180-181; 128/861-862,
128/848; 602/902; 433/6; 2/9, 455, 424-425
See application file for complete search history.

(56) **References Cited**

U.S. PATENT DOCUMENTS

3,513,838 A * 5/1970 Dammermann et al. 128/861
3,682,164 A * 8/1972 Miller 128/857

4,765,324 A * 8/1988 Lake, Jr. 128/861
D408,919 S * 4/1999 Cooley D24/181
D434,501 S * 11/2000 Redhage D24/181
D493,578 S * 7/2004 Manzo et al. D29/108
D500,895 S * 1/2005 Manzo et al. D29/108
6,895,970 B1 * 5/2005 Lawrence et al. 128/848

* cited by examiner

Primary Examiner—Ruth McInroy

(74) *Attorney, Agent, or Firm*—Brady, O’Boyle & Gates

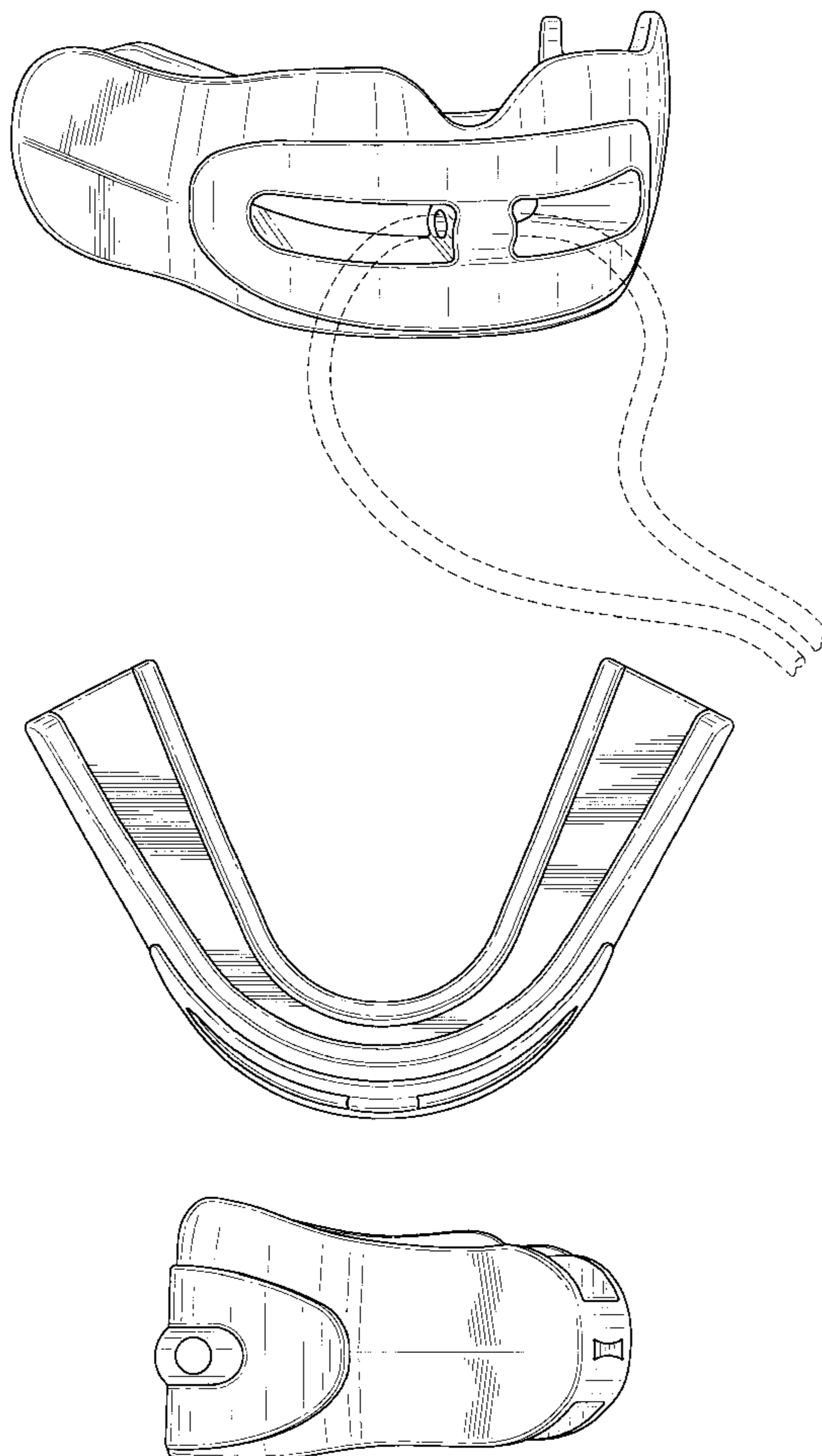
(57) **CLAIM**

The ornamental design for a mouth guard, as shown and described.

DESCRIPTION

FIG. 1 is a front and left side perspective view of a mouth guard showing my new design;
FIG. 2 is a top plan view thereof;
FIG. 3 is a right side elevational view thereof;
FIG. 4 is a front elevational view thereof;
FIG. 5 is a rear elevational view thereof; and,
FIG. 6 is a bottom plan view thereof.

1 Claim, 2 Drawing Sheets



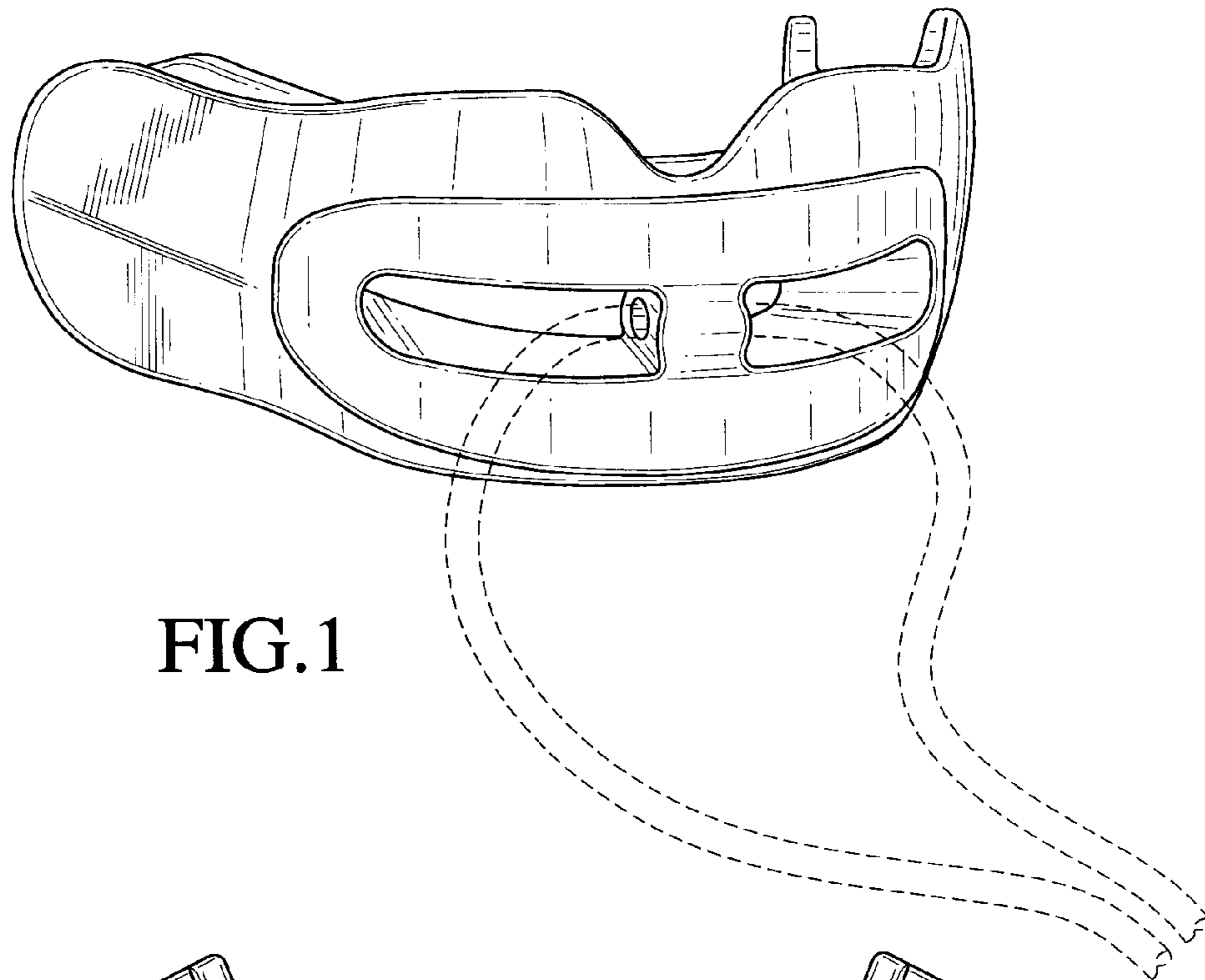


FIG. 1

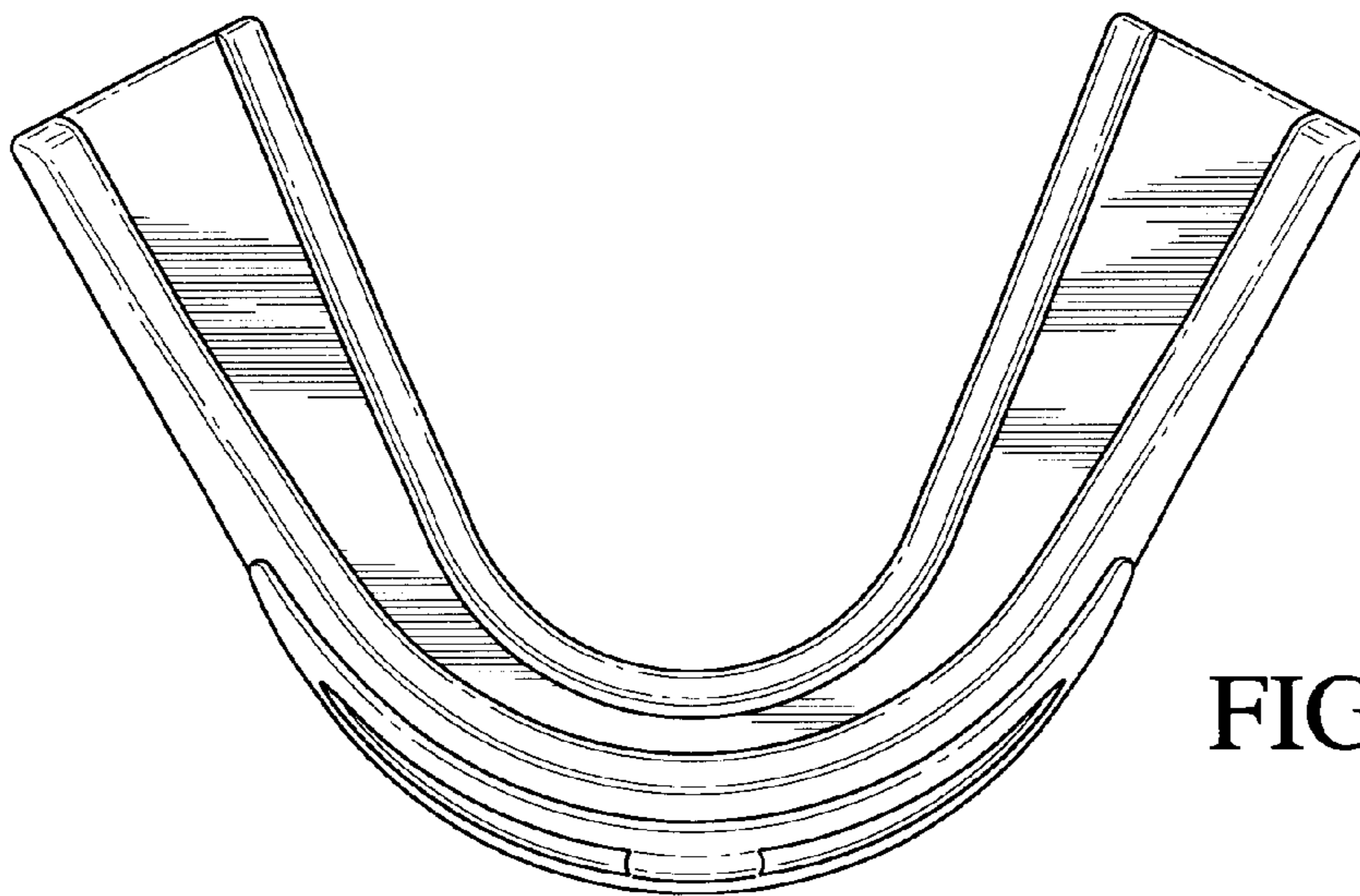


FIG. 2

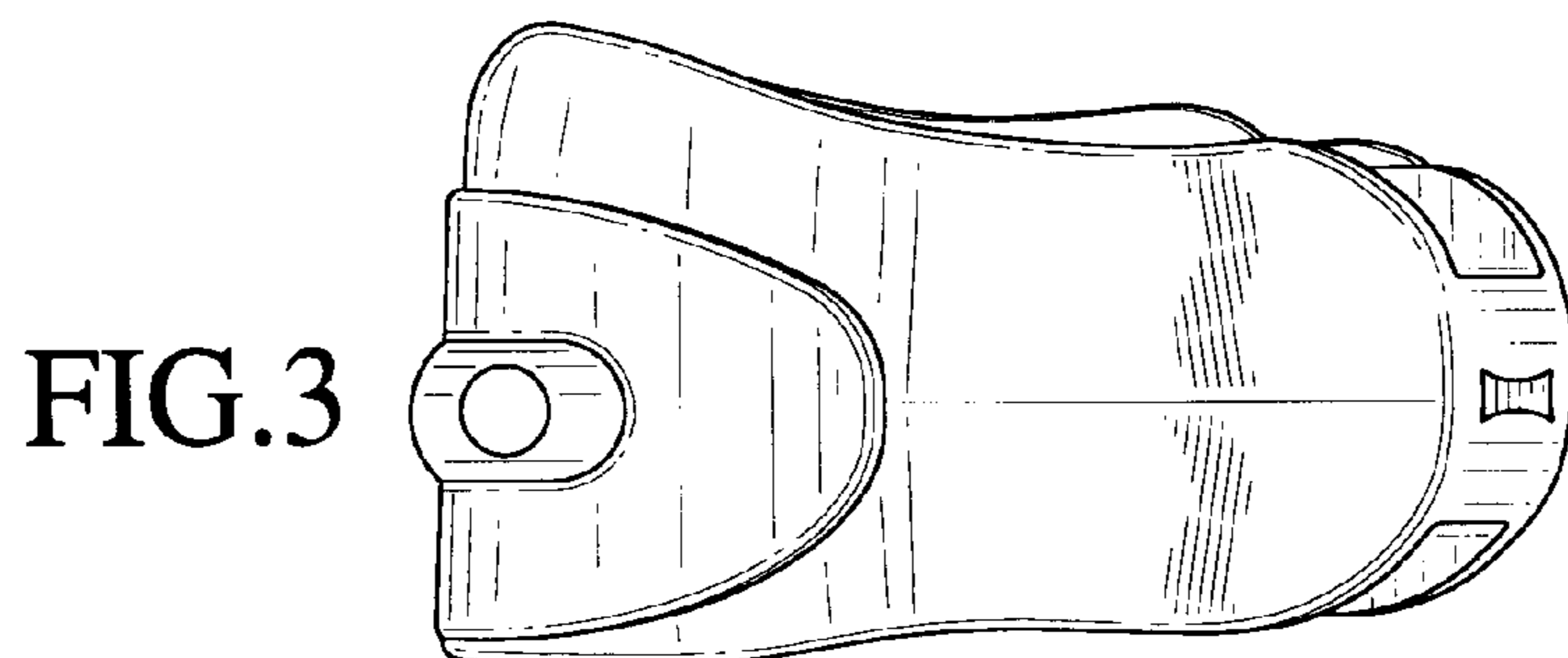


FIG. 3

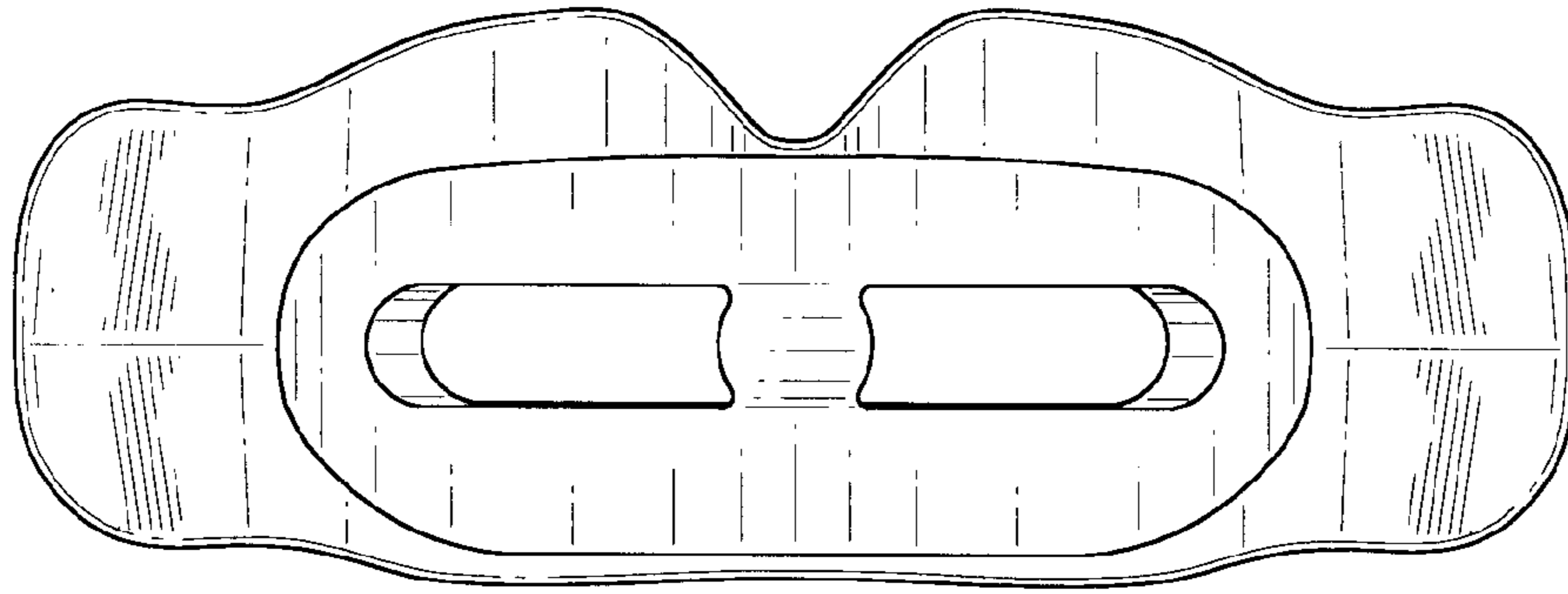


FIG. 4

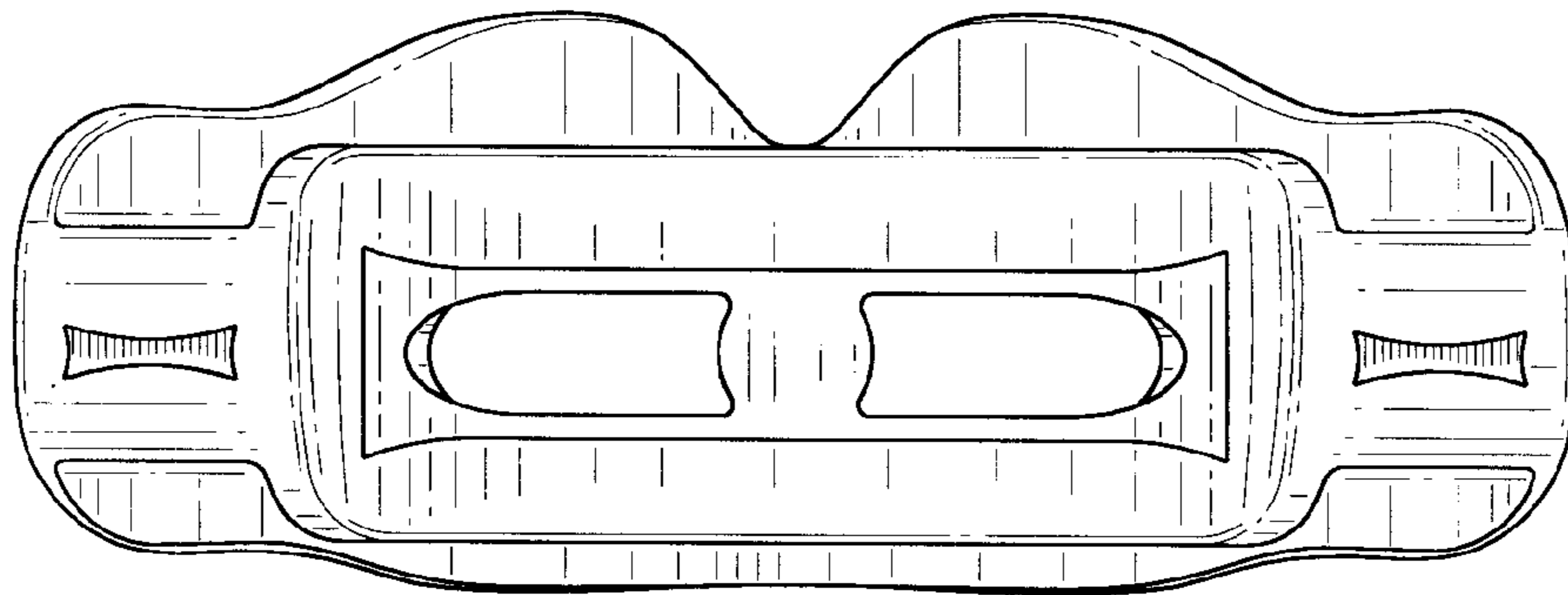


FIG. 5

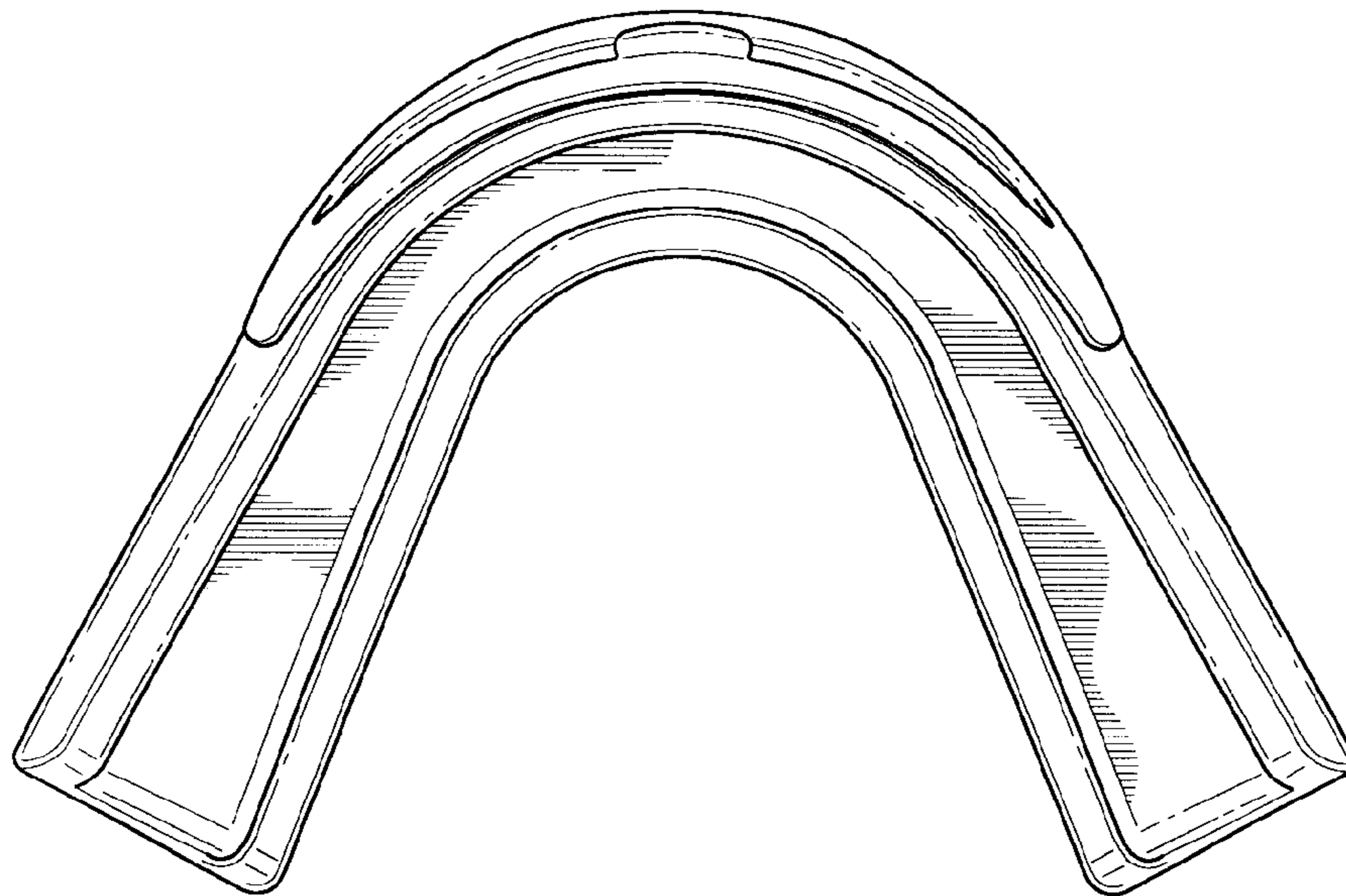


FIG. 6