



US00D523993S

(12) **United States Design Patent**
Dion

(10) **Patent No.:** **US D523,993 S**
(45) **Date of Patent:** **** Jun. 27, 2006**

(54) **MODULAR FLIP UP HELMET**

(75) Inventor: **Stephane Dion**, St-Cecile de Milton (CA)

(73) Assignee: **KBC America, Inc.**, Burbank, CA (US)

(**) Term: **14 Years**

(21) Appl. No.: **29/222,266**

(22) Filed: **Jan. 28, 2005**

(51) **LOC (8) Cl.** **09-03**

(52) **U.S. Cl.** **D29/107**

(58) **Field of Classification Search** D29/102-112,
D29/122; 2/5, 6.1-6.8, 9, 410-415, 421-425,
2/427-428, 435, 452, 468, 205-206, 172-173,
2/209.13, 209.14; D2/866, 639; 128/857-858,
128/866-867; D24/110.2, 110.3

See application file for complete search history.

(56) **References Cited**

U.S. PATENT DOCUMENTS

D406,402 S	*	3/1999	Simpson	D29/107
D450,160 S	*	11/2001	Kalhok	D29/107
D451,643 S	*	12/2001	Kalhok	D29/107
D485,948 S	*	1/2004	Yi	D29/107
6,795,979 B1	*	9/2004	Fournier	2/424
D498,881 S	*	11/2004	Yi	D29/107

* cited by examiner

Primary Examiner—Ruth McInroy

(74) *Attorney, Agent, or Firm*—Miles & Stockbridge P.C.; Edward J. Kondracki

(57) **CLAIM**

I claim the ornamental design for a modular flip up helmet, as shown and described.

DESCRIPTION

FIG. 1 a front perspective view of my new modular flip up helmet design.

FIG. 2 is a front view of my new modular flip up helmet design.

FIG. 3 is a left side view of my new modular flip up helmet design.

FIG. 4 is a back view of my new modular flip up helmet design.

FIG. 5 is a right side view of my new modular flip up helmet design.

FIG. 6 is a top view of my new modular flip up helmet design.

FIG. 7 is a bottom view of my new modular flip up helmet design.

FIG. 8 is a front perspective view of my new modular helmet design with its visor in a raised position.

FIG. 9 is a front perspective view of my new modular helmet with its chin bar open and raised to a partly open position; and,

FIG. 10 is a front perspective view of my new modular helmet with its chin bar open and raised to a full open position.

1 Claim, 6 Drawing Sheets

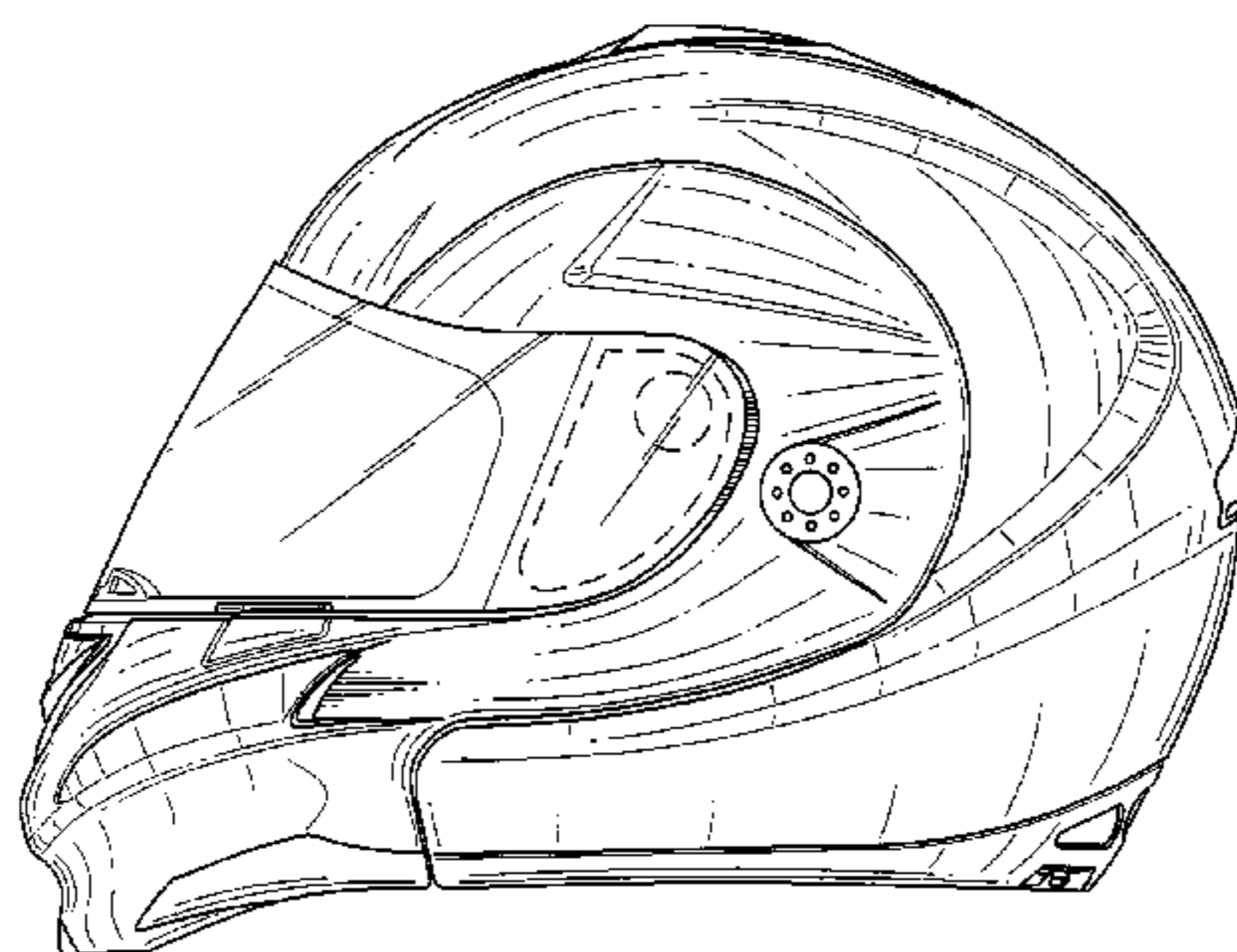
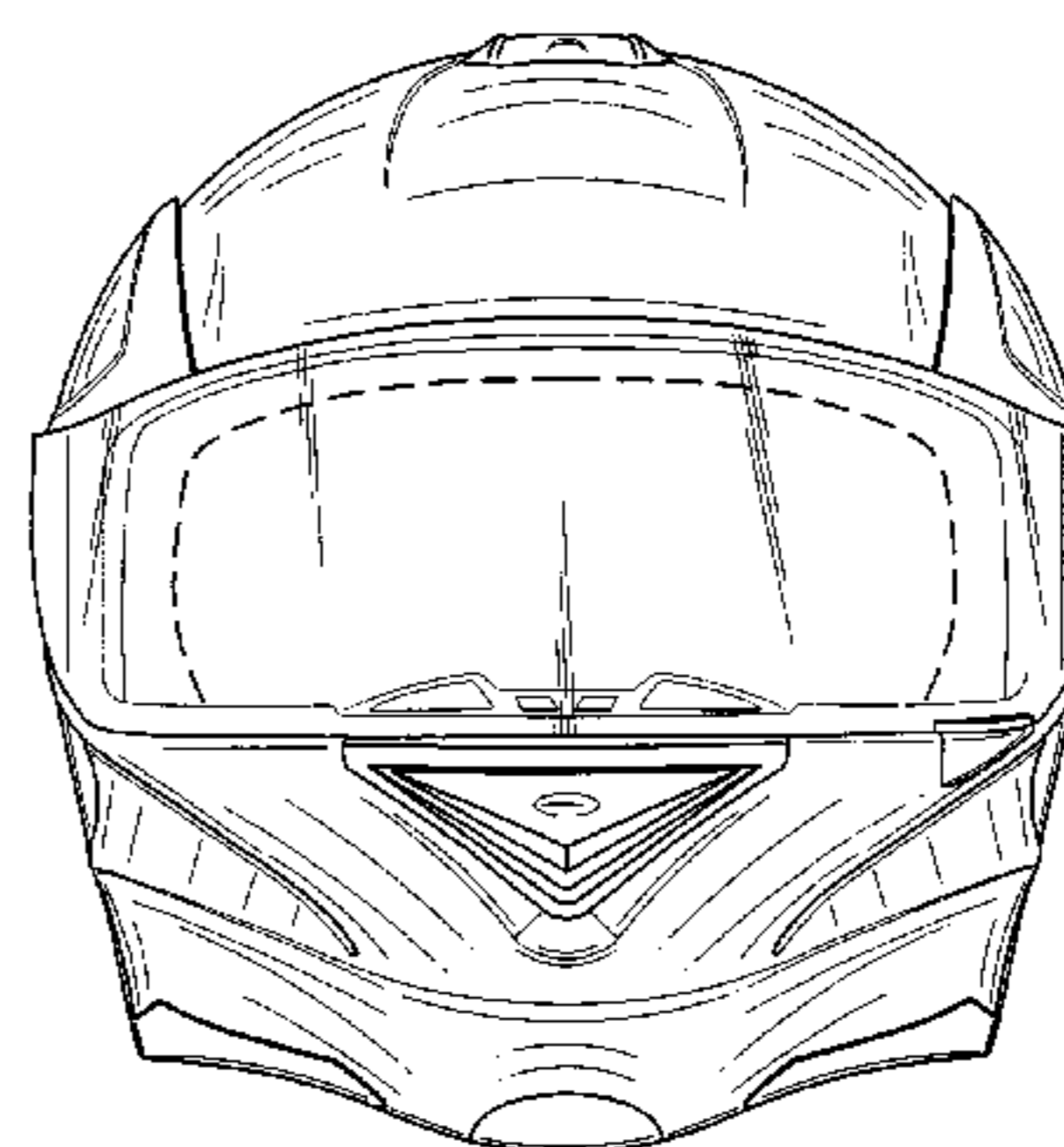
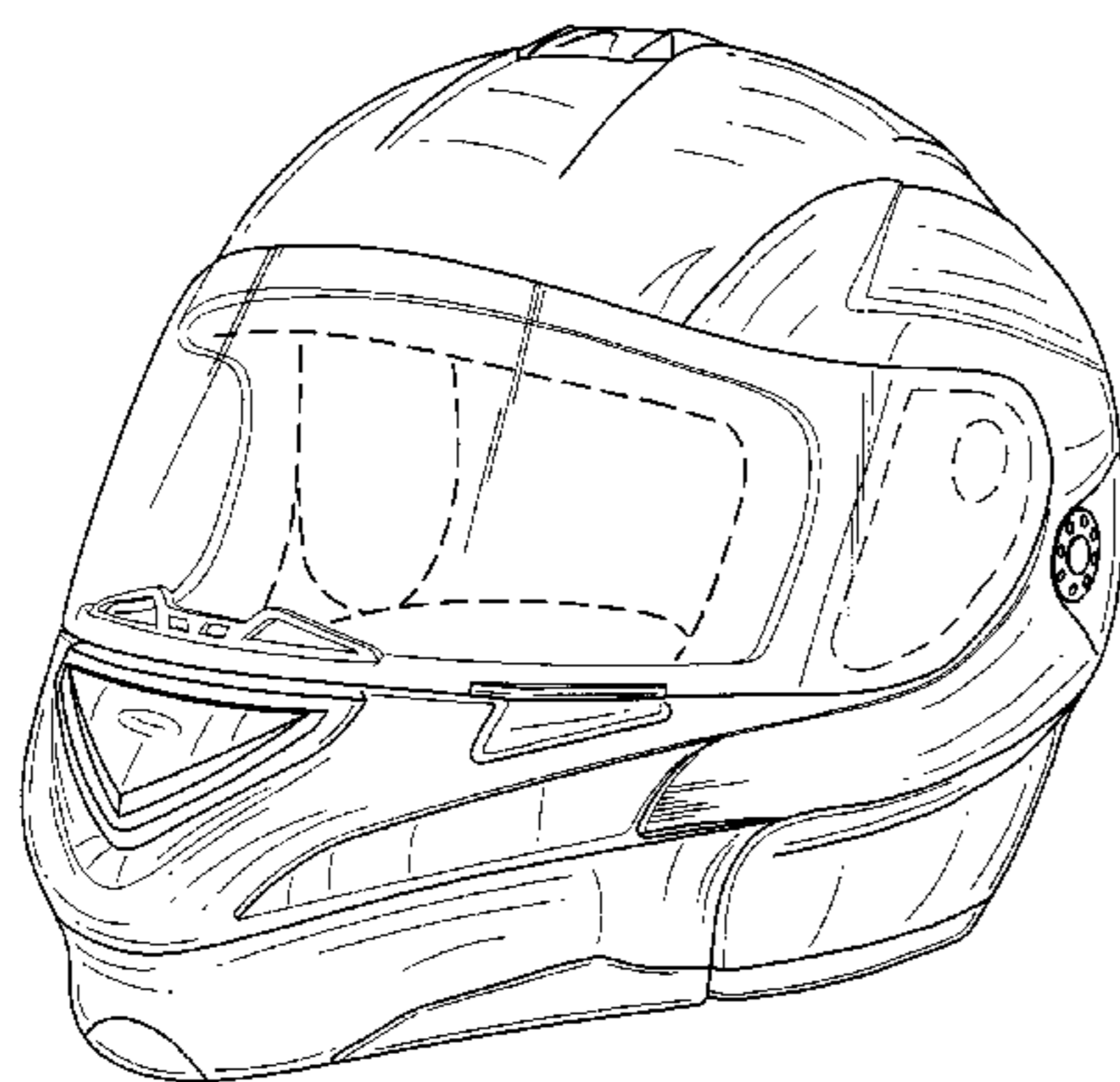




FIG.1

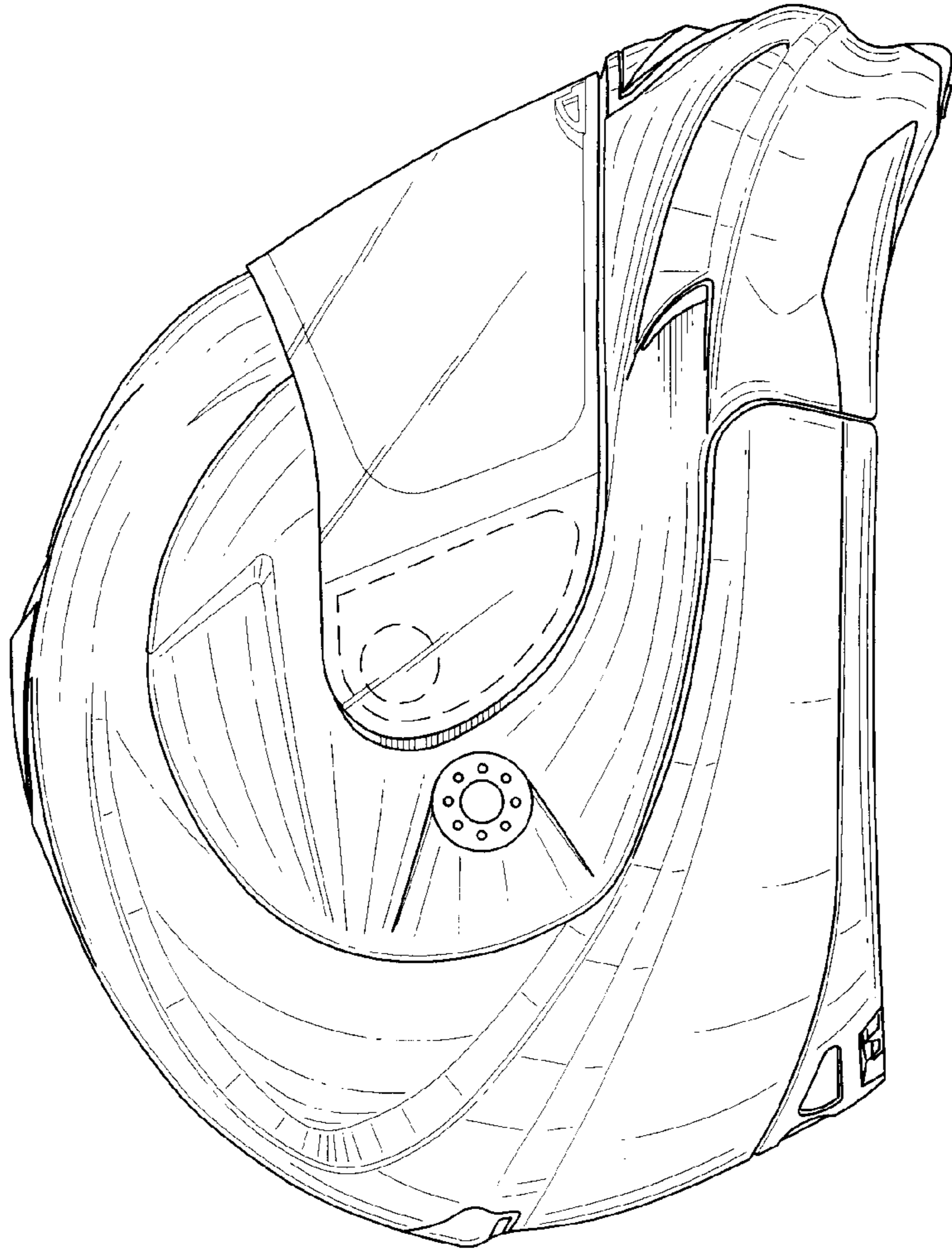


FIG.3

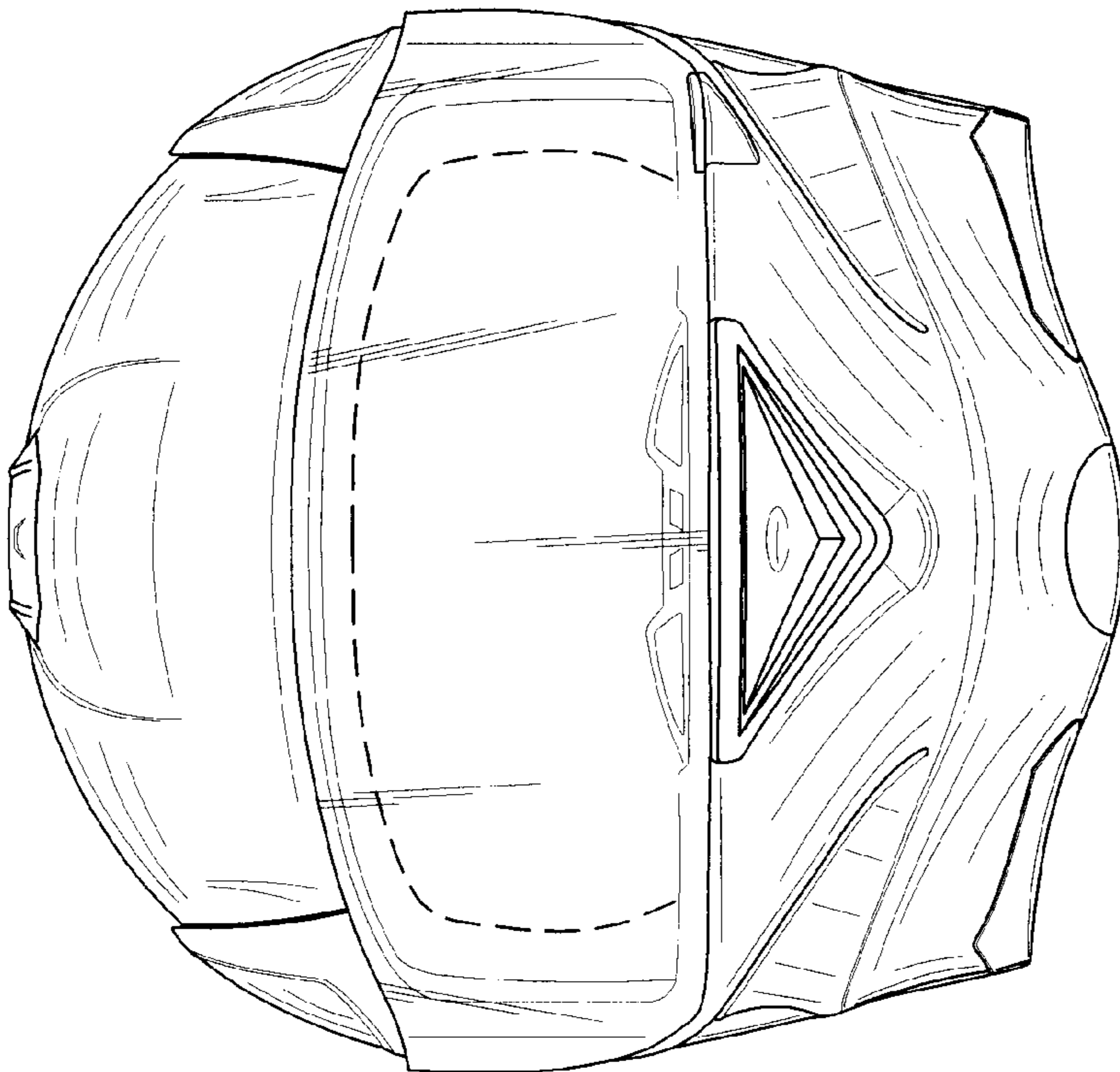


FIG.2

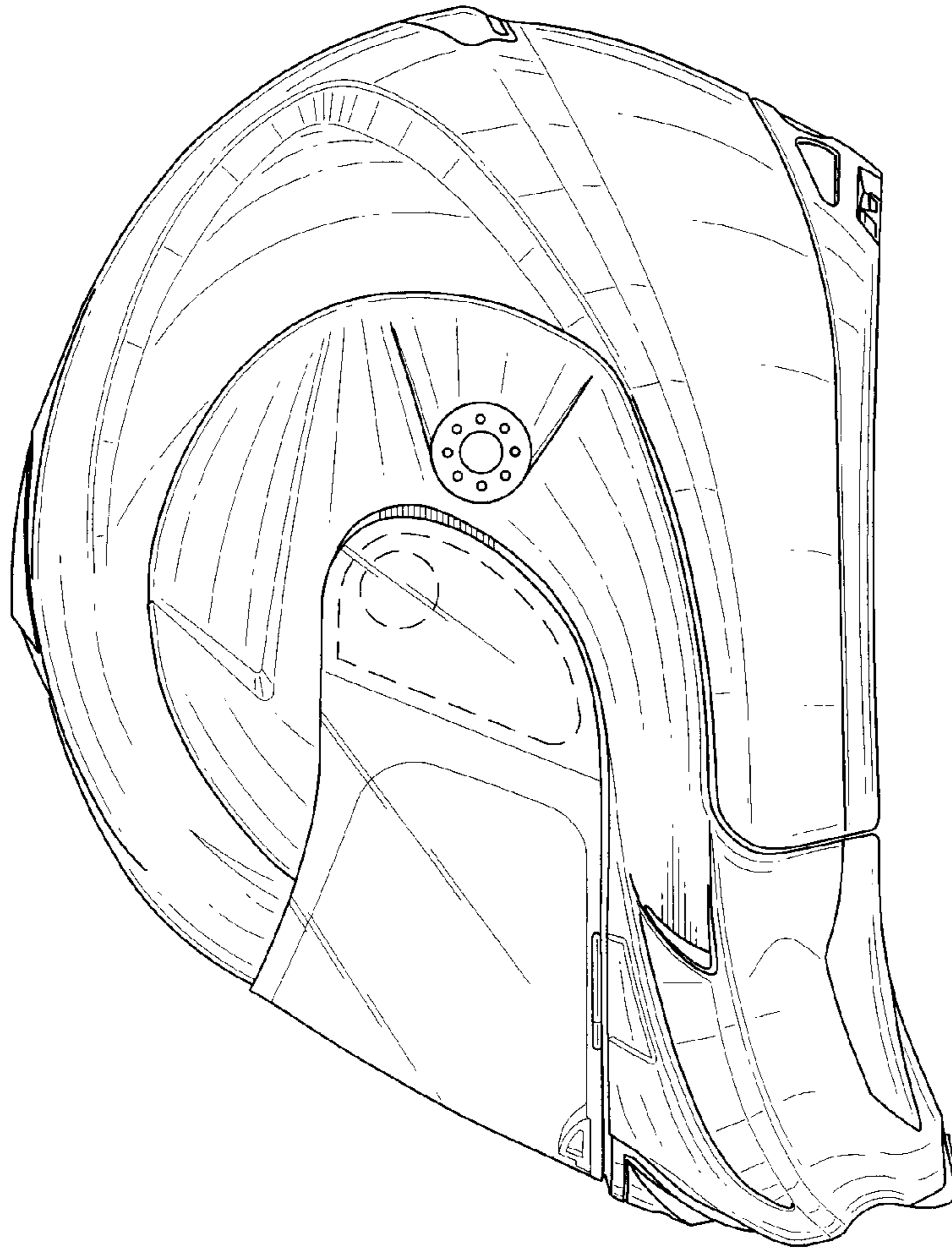


FIG.5

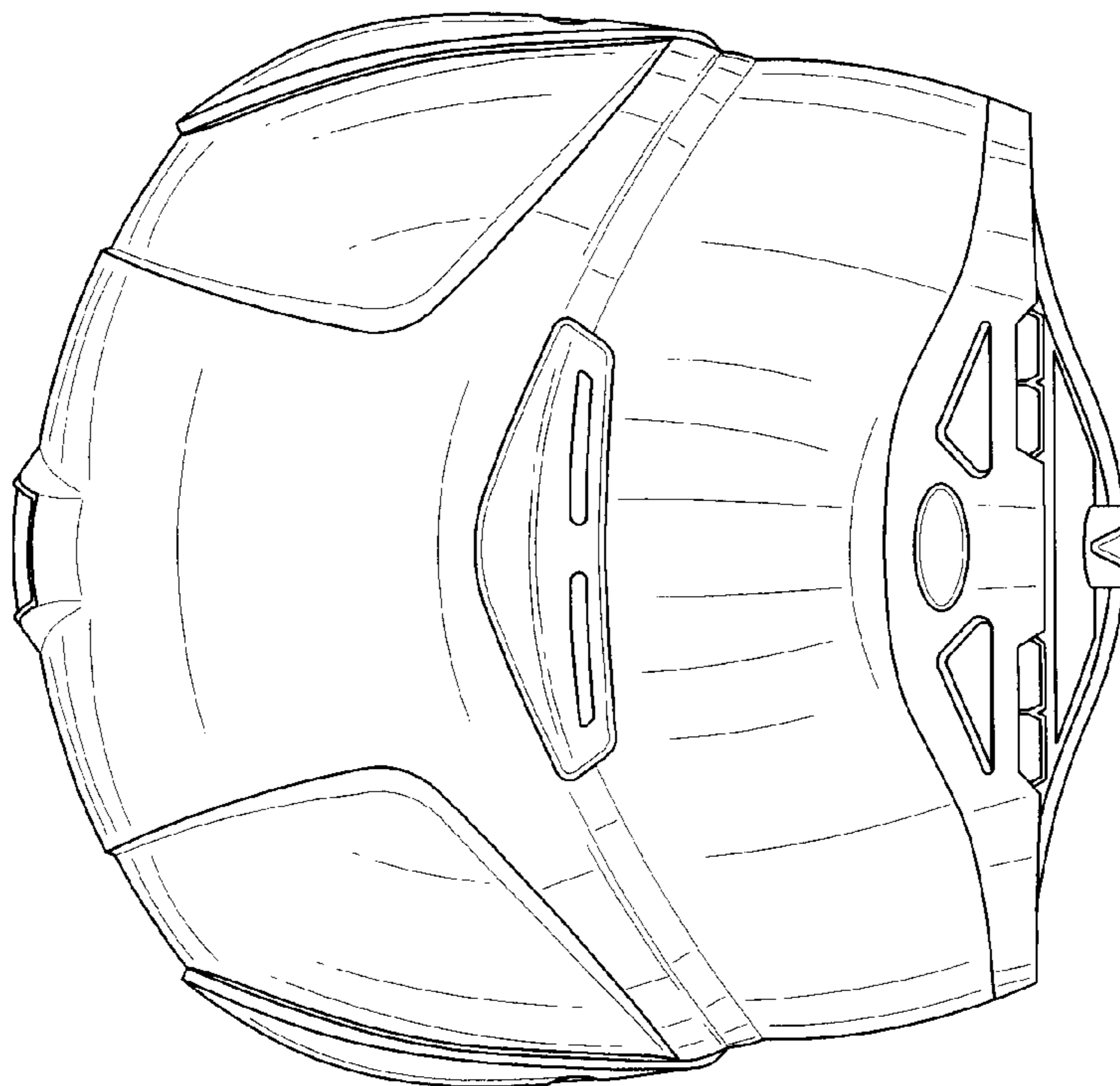


FIG.4

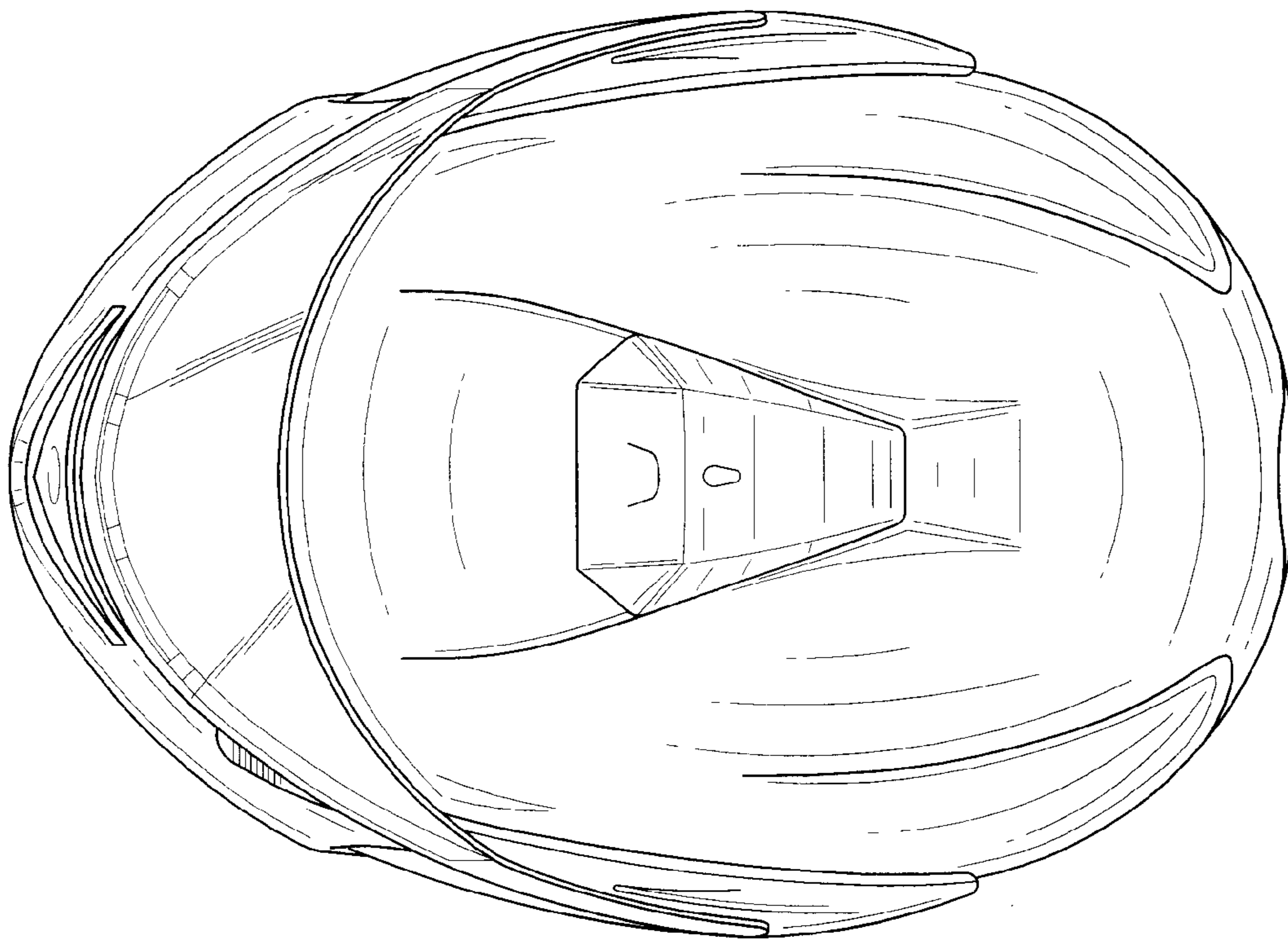


FIG. 6

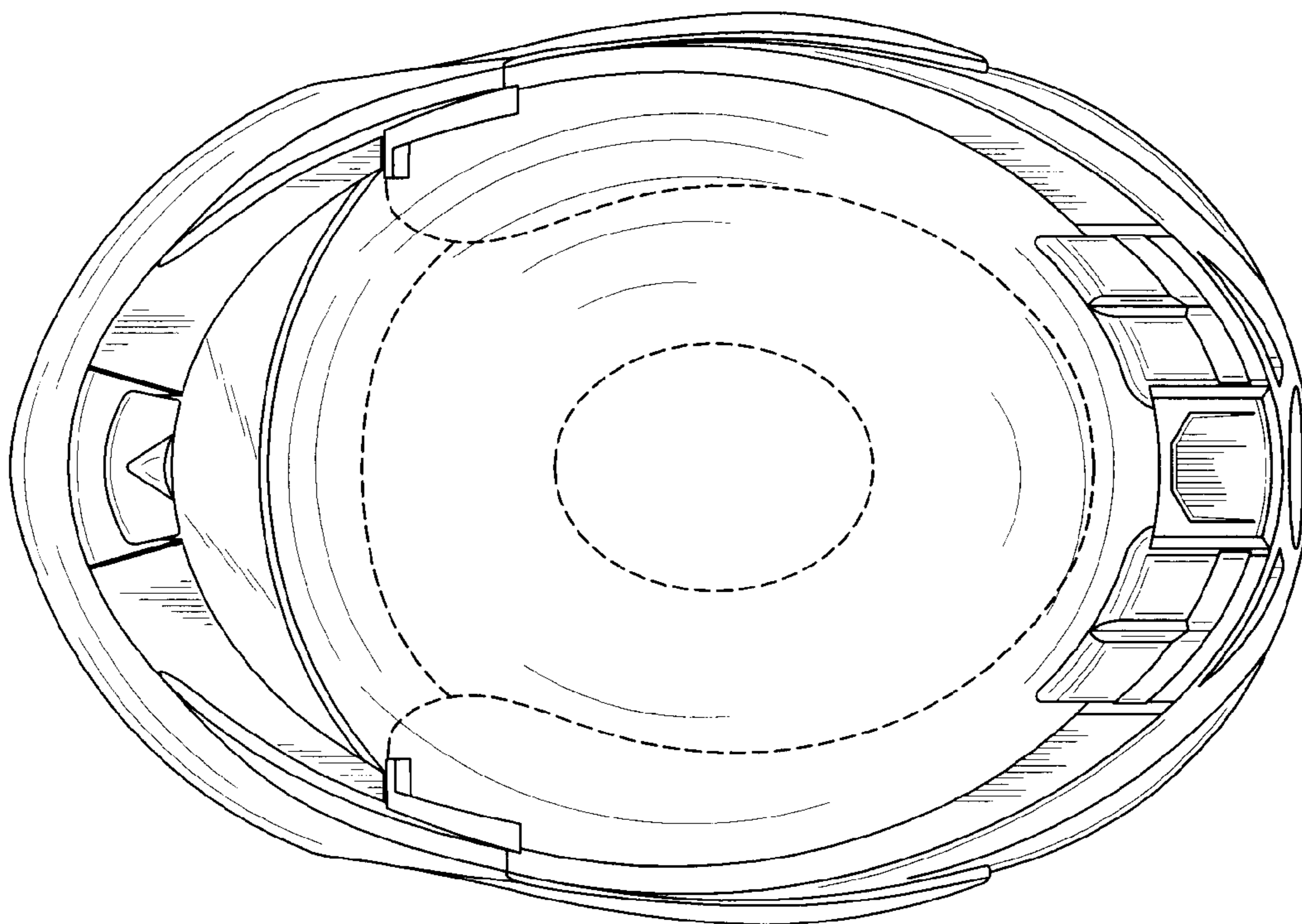


FIG. 7

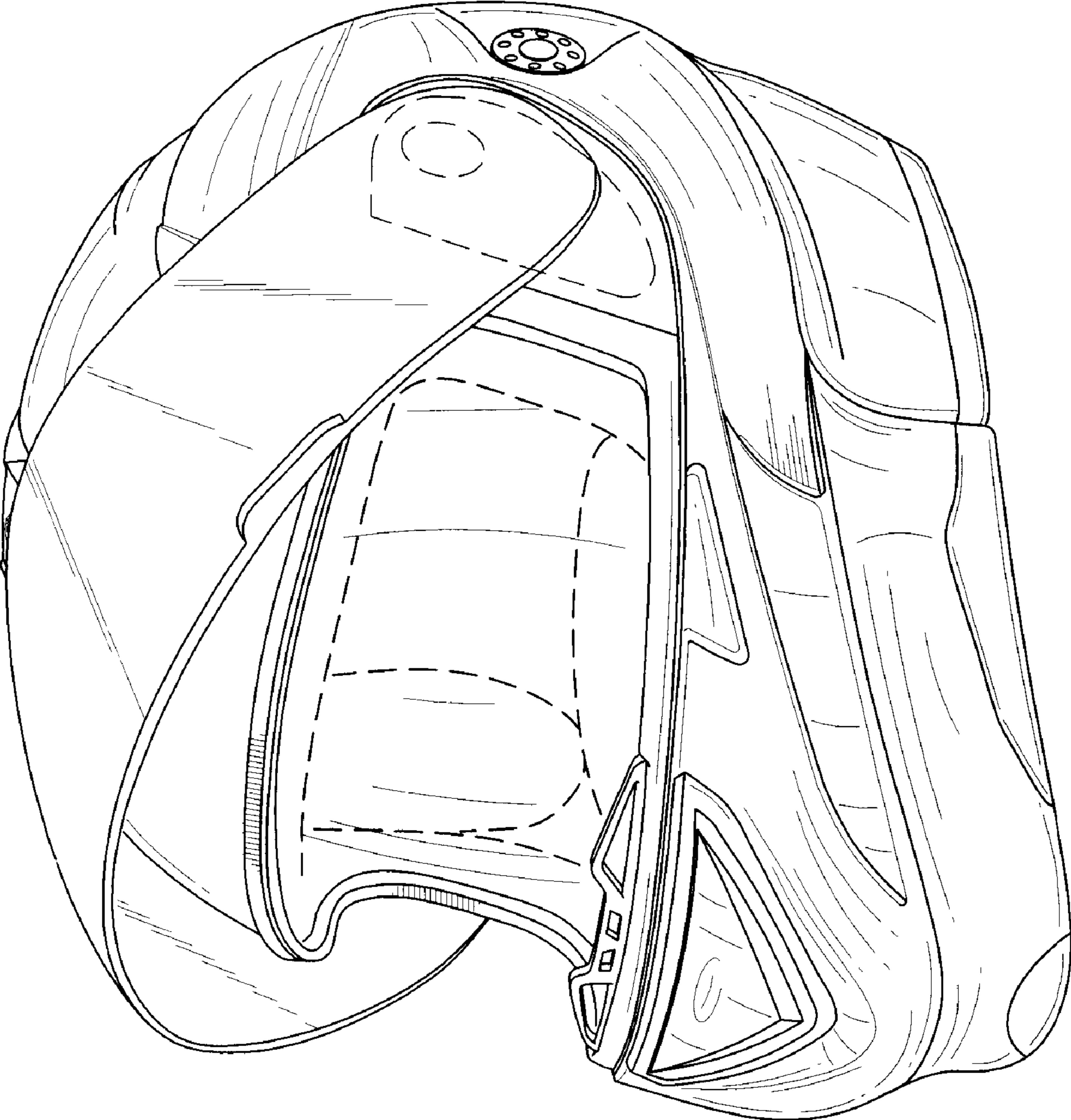


FIG. 8

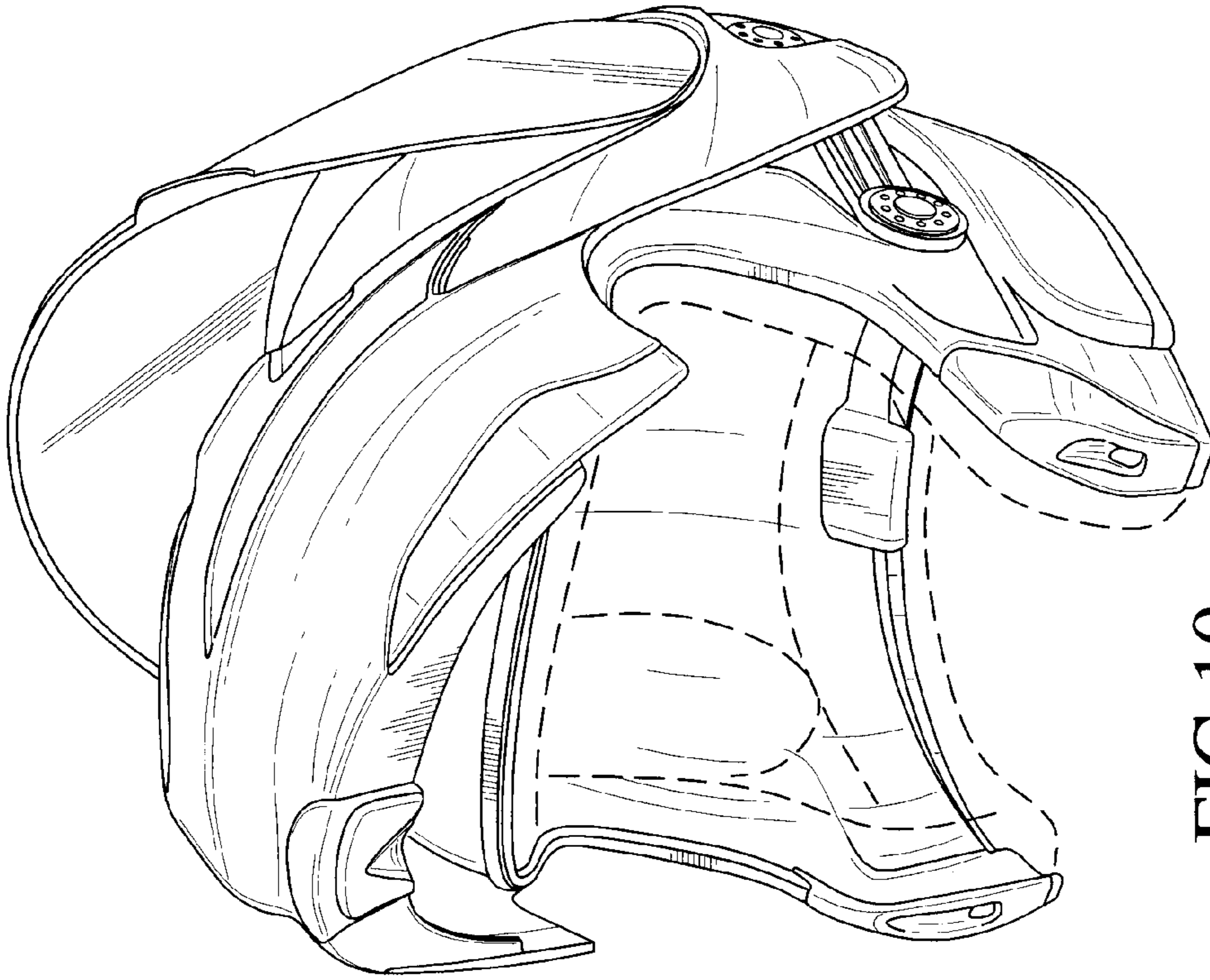


FIG.10

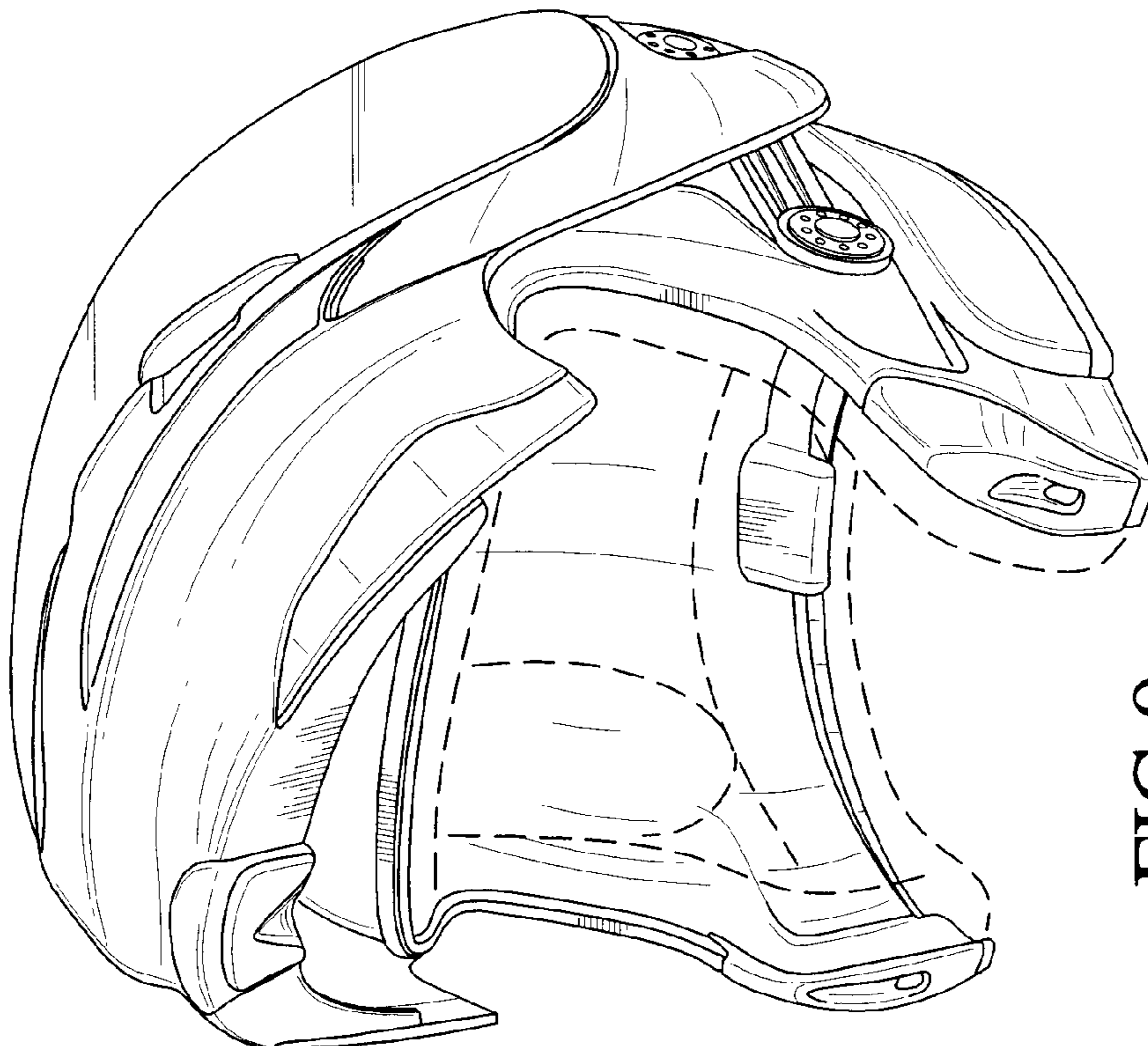


FIG.9