



US00D523985S

(12) **United States Design Patent**  
**Waycaster et al.**

(10) **Patent No.:** **US D523,985 S**

(45) **Date of Patent:** **\*\* Jun. 27, 2006**

(54) **FLUORESCENT LUMINAIRE**

(75) Inventors: **Brad Waycaster**, Tupelo, MS (US);  
**Scotty Collins**, Tupelo, MS (US)

(73) Assignee: **Genlyte Thomas Group LLC**,  
Louisville, KY (US)

(\*\*) Term: **14 Years**

(21) Appl. No.: **29/218,294**

(22) Filed: **Nov. 30, 2004**

(51) **LOC (8) Cl.** ..... **26-03**

(52) **U.S. Cl.** ..... **D26/76; D26/80**

(58) **Field of Classification Search** ..... D26/72,  
D26/75-78, 80, 118, 122, 24; 362/605, 147,  
362/151, 217-225

See application file for complete search history.

(56) **References Cited**

**U.S. PATENT DOCUMENTS**

- D121,094 S \* 6/1940 Heath ..... D26/75
- D129,922 S \* 10/1941 Irmischer ..... D26/24
- D129,940 S \* 10/1941 MacCarthy ..... D26/78
- D220,206 S \* 3/1971 Hamburger ..... D26/75

- 4,712,165 A \* 12/1987 Cetrone ..... 362/147
- 5,386,353 A \* 1/1995 Battaglia ..... 362/224
- D412,999 S \* 8/1999 Herst et al. .... D26/76
- D477,105 S \* 7/2003 Herst et al. .... D26/76
- 6,769,785 B1 \* 8/2004 Herst et al. .... 362/147

\* cited by examiner

*Primary Examiner*—Clare E Heflin

(74) *Attorney, Agent, or Firm*—Steve A. Witters; Middleton  
Reutlinger

(57) **CLAIM**

The ornamental design for a fluorescent luminaire, as shown  
and described.

**DESCRIPTION**

FIG. 1 is a perspective view of a fluorescent luminaire  
showing the design;

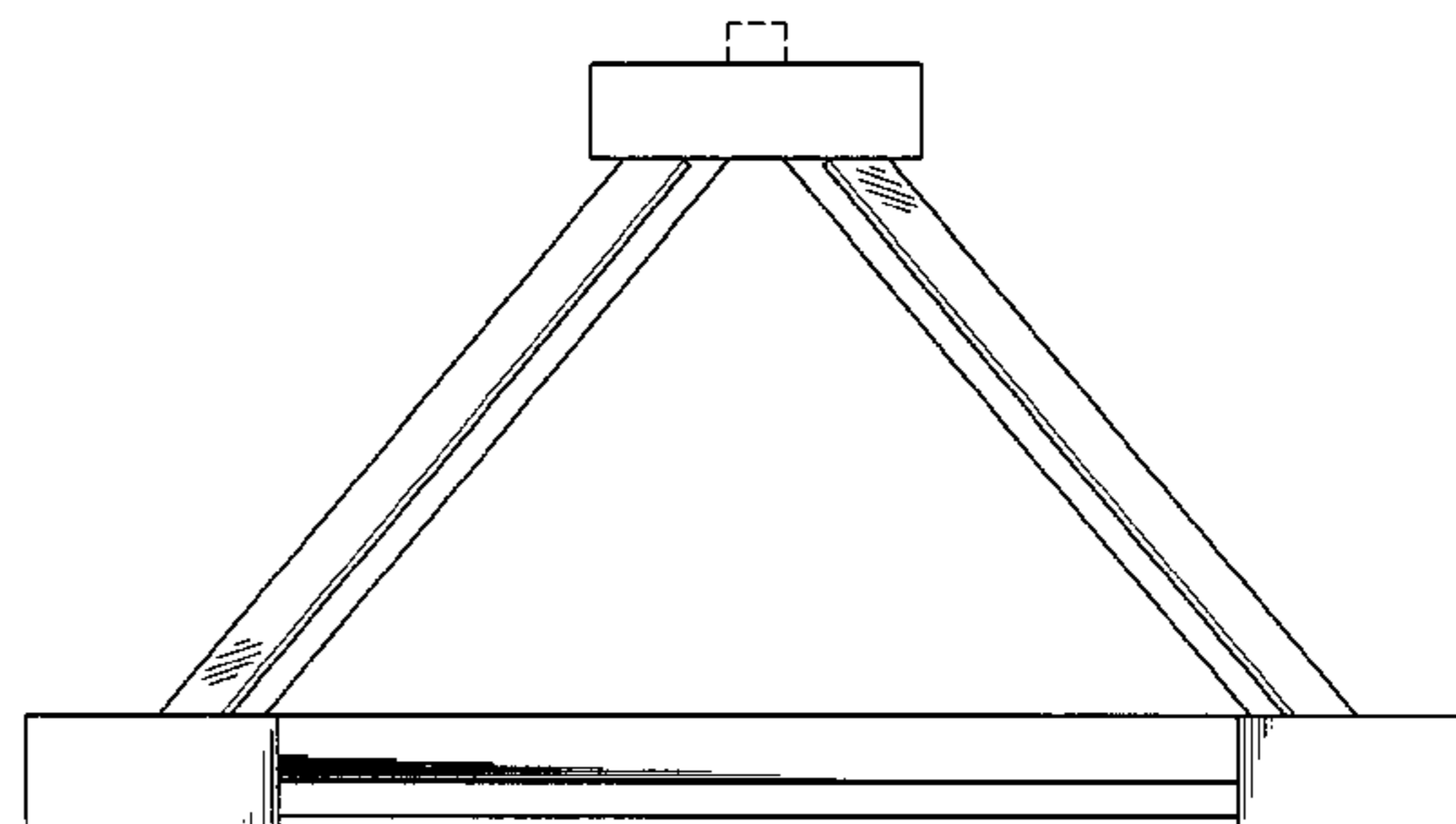
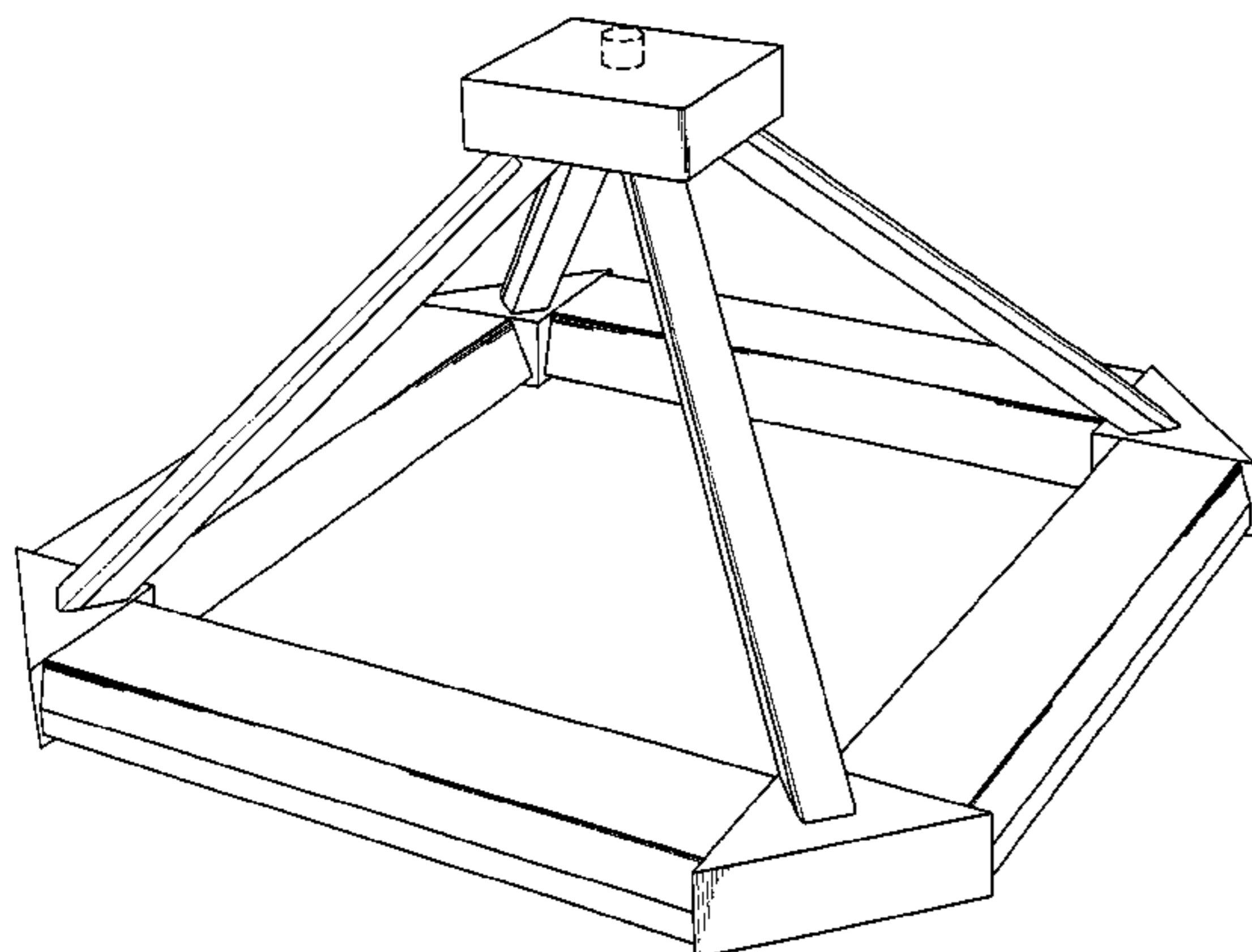
FIG. 2 is a top view thereof;

FIG. 3 is a front view thereof, where the right and left views  
are a mirror image of this view, and, therefore, have been  
omitted; and,

FIG. 4 is a bottom view thereof.

The broken lines shown on the drawings are for illustrative  
purposes only and form no part of the claimed design.

**1 Claim, 4 Drawing Sheets**



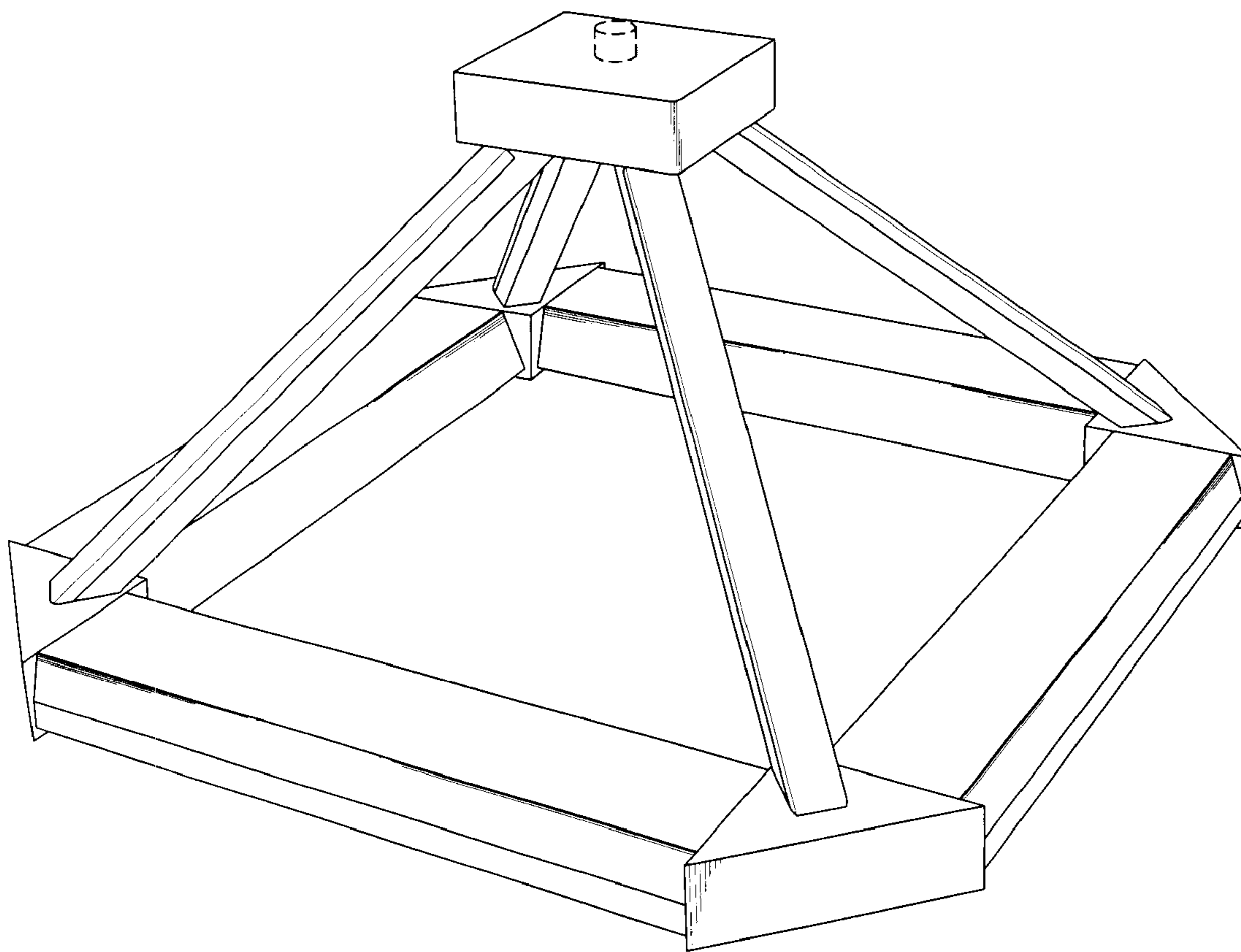


FIG. 1

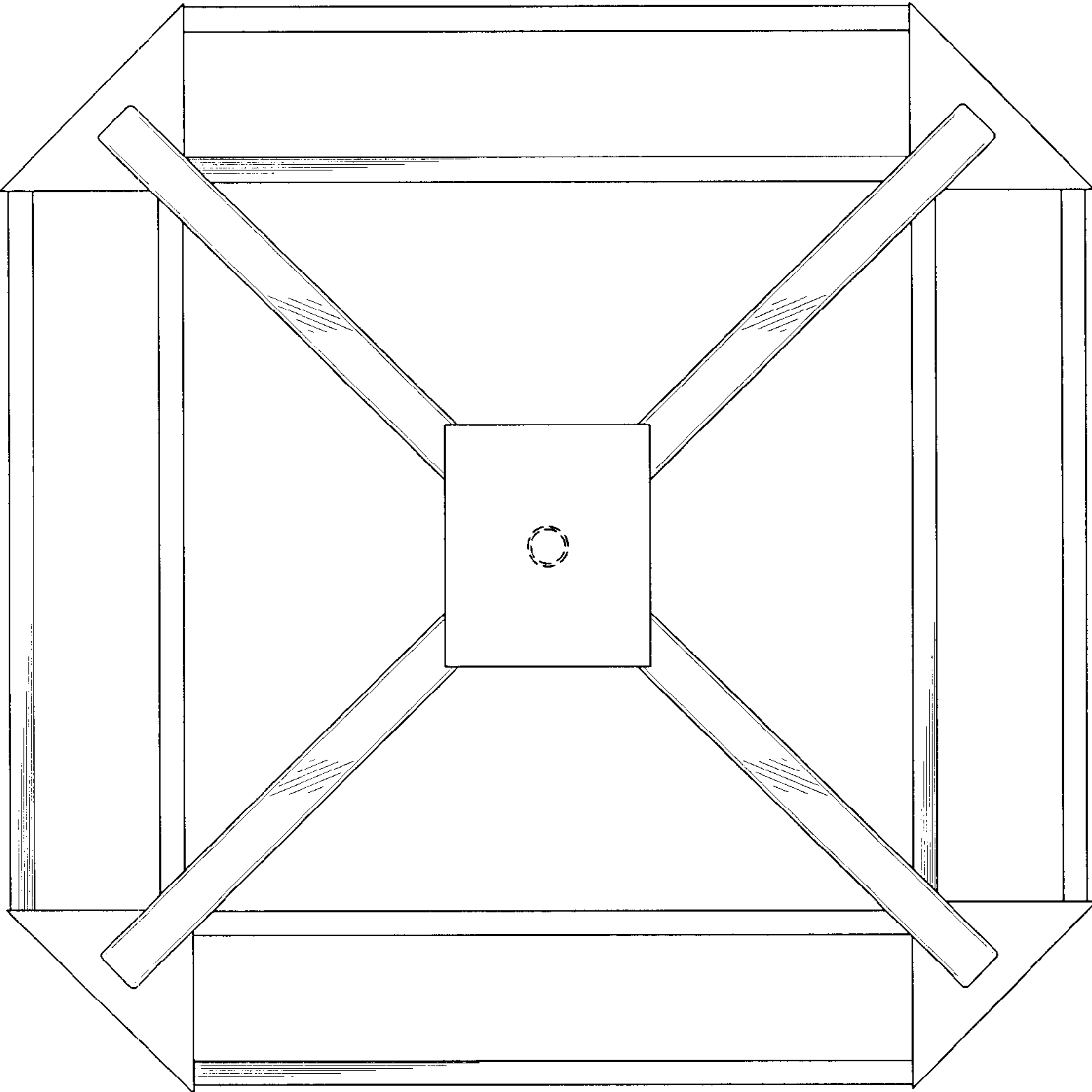


FIG. 2

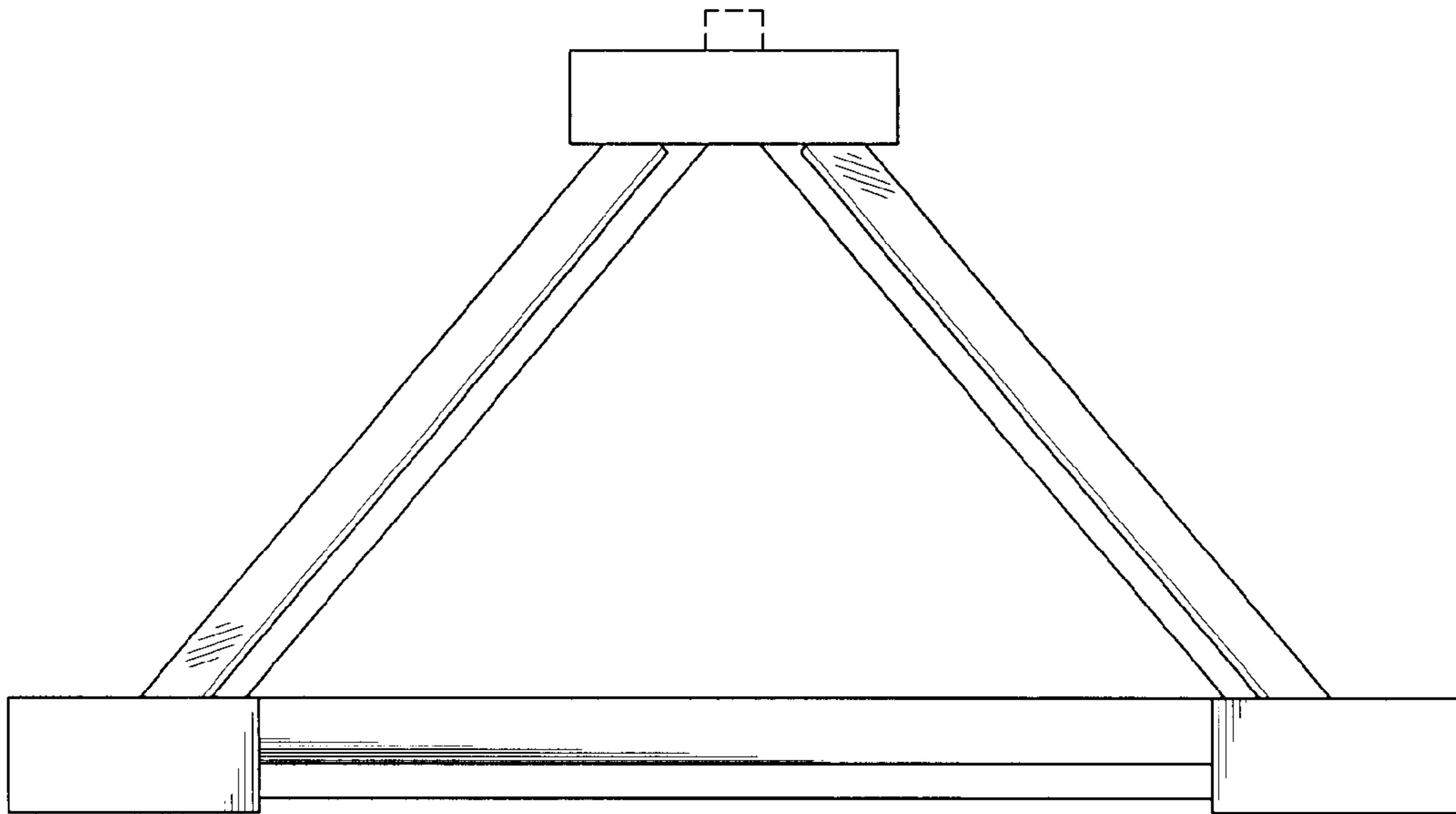


FIG. 3

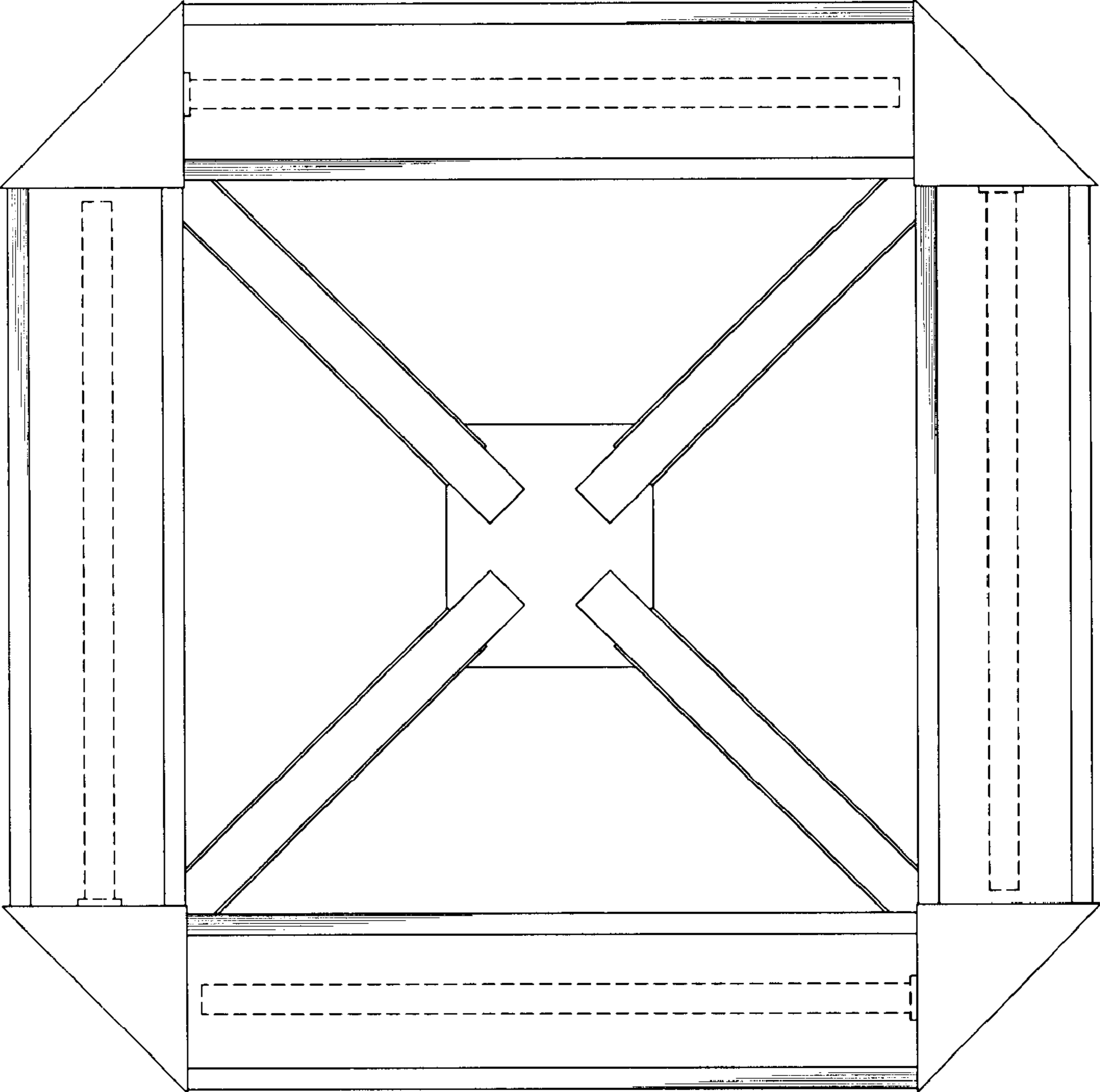


FIG. 4