



US00D523984S

(12) **United States Design Patent**  
**Cai**

(10) **Patent No.:** **US D523,984 S**

(45) **Date of Patent:** **\*\* Jun. 27, 2006**

(54) **PORTABLE READING LAMP**

(76) Inventor: **Jianping Cai**, Aoneng Building,  
Lunjino Lu Duan, Guangzhu, Shunde,  
Guangdong (CN), 510385

(\*\*) Term: **14 Years**

(21) Appl. No.: **29/225,613**

(22) Filed: **Mar. 18, 2005**

(30) **Foreign Application Priority Data**

Sep. 21, 2004 (CN) ..... 2004 3 00756675

(51) **LOC (8) Cl.** ..... **26-05**

(52) **U.S. Cl.** ..... **D26/61; D26/65**

(58) **Field of Classification Search** ..... D26/60-65,  
D26/93, 118, 107, 43, 51, 56; 362/269, 277,  
362/278, 282, 285, 287, 288, 410, 413, 418-430,  
362/449

See application file for complete search history.

(56) **References Cited**

**U.S. PATENT DOCUMENTS**

D290,884 S \* 7/1987 Sano et al. .... D26/65

D351,678 S \* 10/1994 Chen ..... D26/65

D407,517 S \* 3/1999 Zeller ..... D26/60

D435,677 S \* 12/2000 Hollinger ..... D26/60

6,736,531 B1 \* 5/2004 Wallach ..... 362/427

D507,673 S \* 7/2005 Martin ..... D26/60

\* cited by examiner

*Primary Examiner*—Clare E Heflin

(74) *Attorney, Agent, or Firm*—Merchant & Gould P.C.

(57) **CLAIM**

The ornamental design for a portable reading lamp, as shown and described.

**DESCRIPTION**

FIG. 1 is a perspective view of a portable reading lamp showing my new design in a folded status in accordance with my invention thereof;

FIG. 2 is a front elevational view thereof.

FIG. 3 is a rear elevational view thereof;

FIG. 4 is a top plan view thereof;

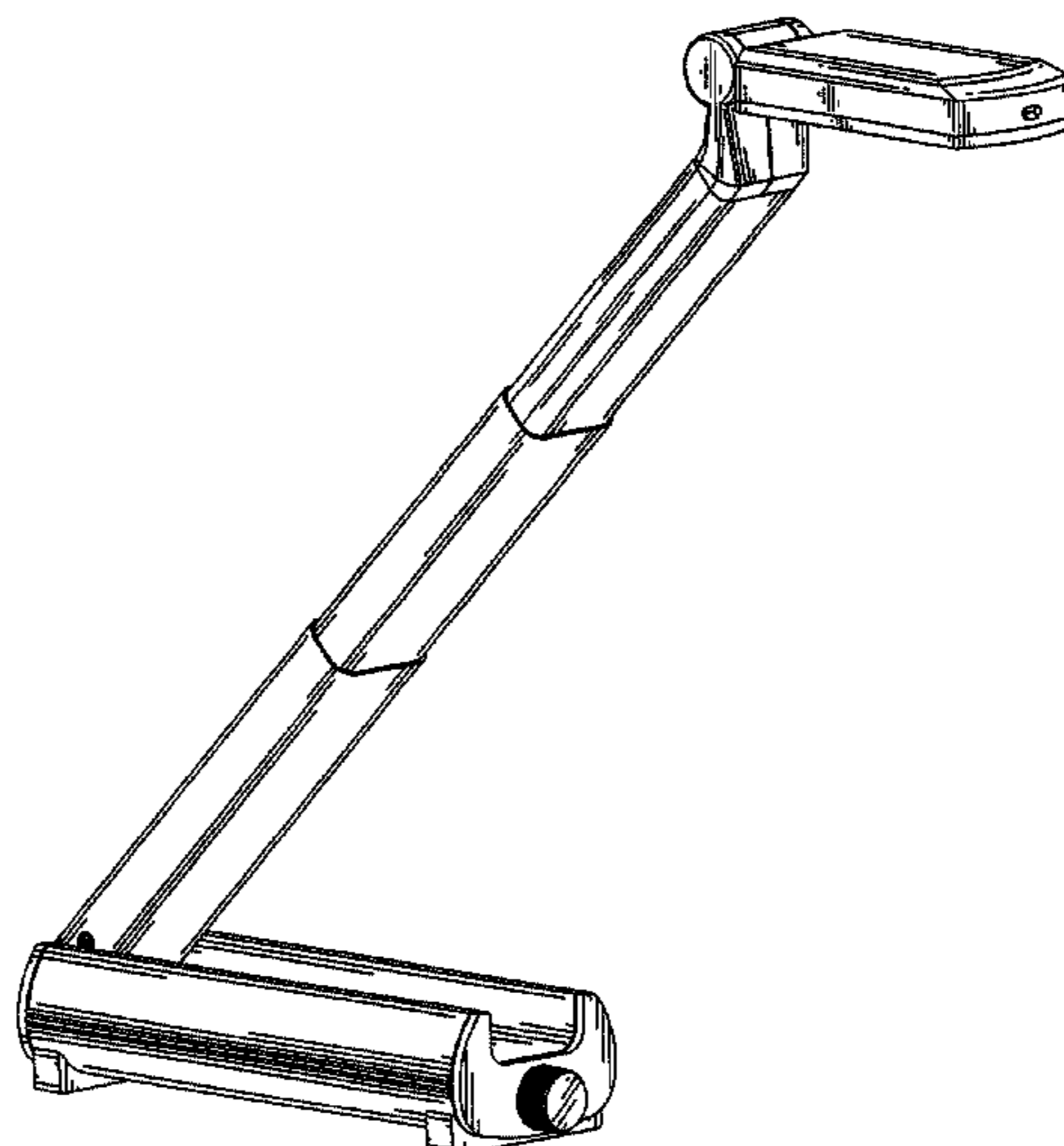
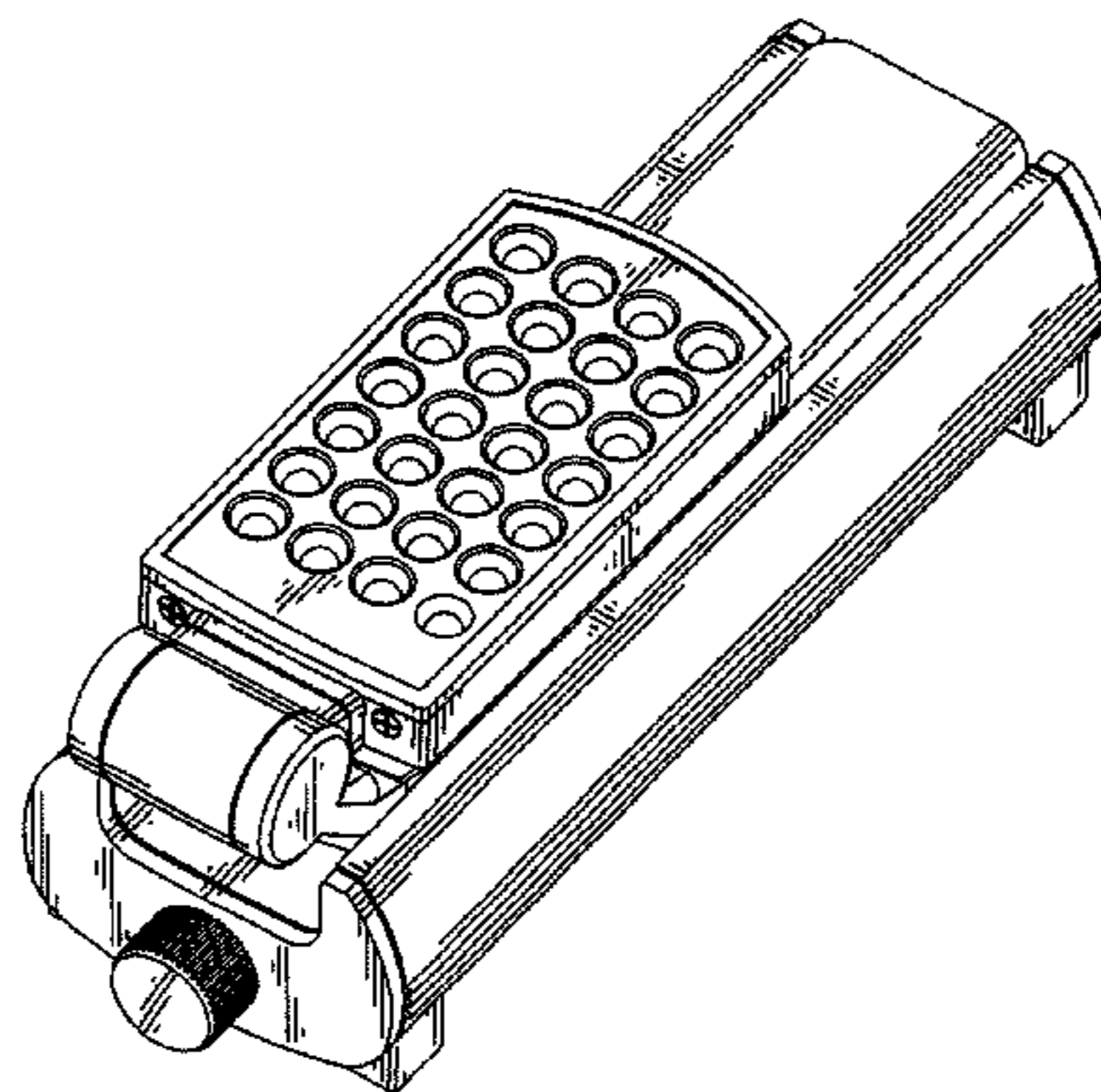
FIG. 5 is a right side elevational view thereof;

FIG. 6 is a left side elevational view thereof;

FIG. 7 is a bottom plan view thereof; and,

FIG. 8 is a perspective view of a portable reading lamp showing my new design in an open status.

**1 Claim, 3 Drawing Sheets**



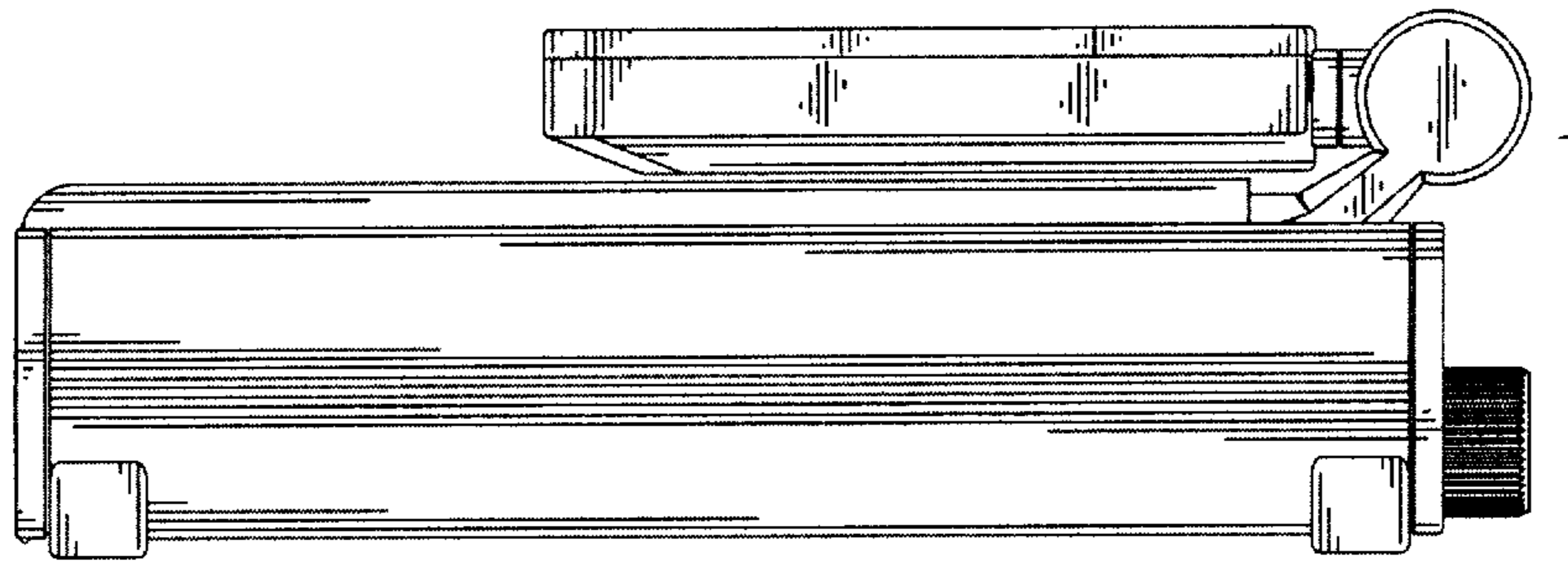


FIG. 3

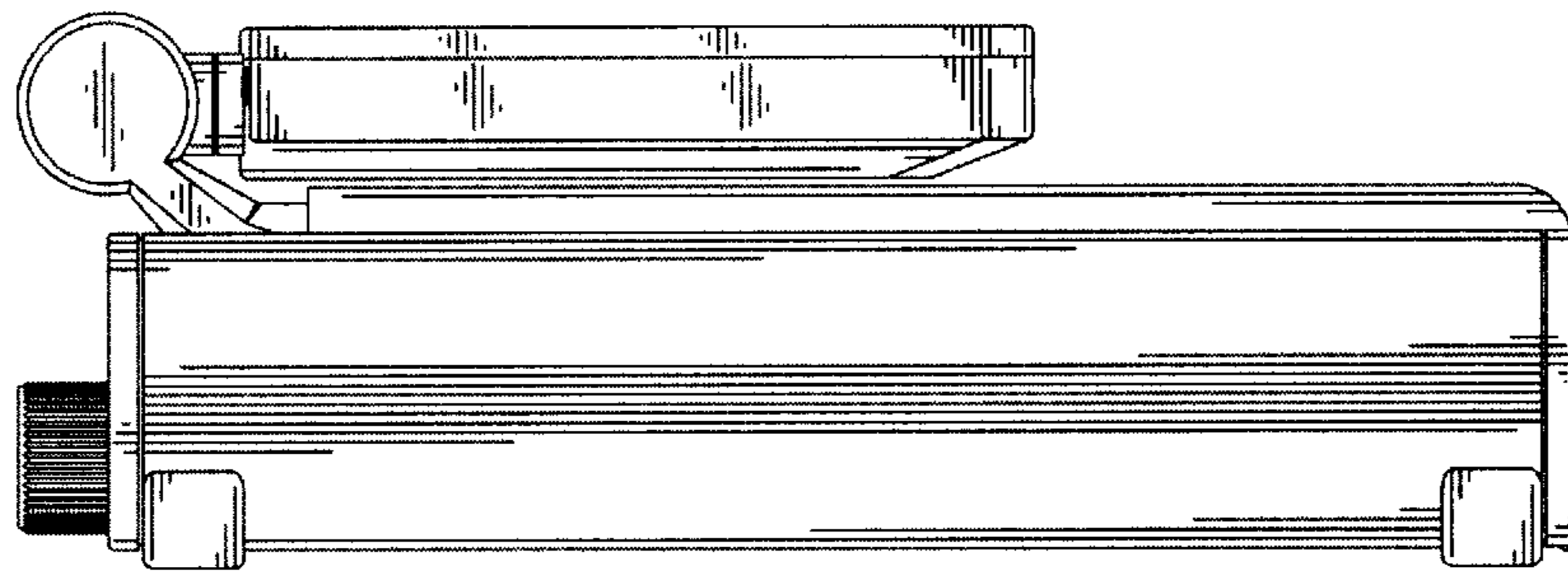


FIG. 2

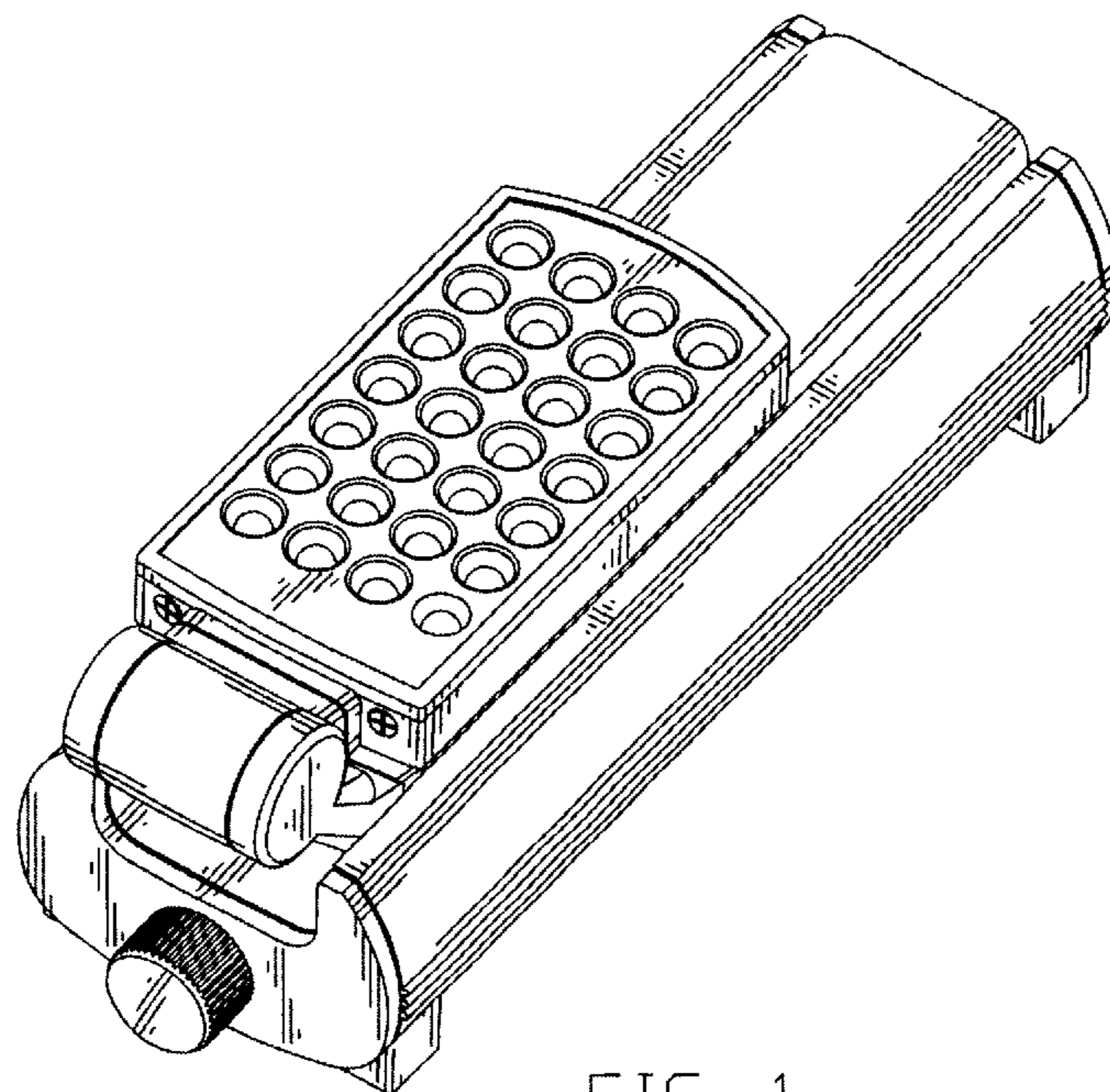


FIG. 1

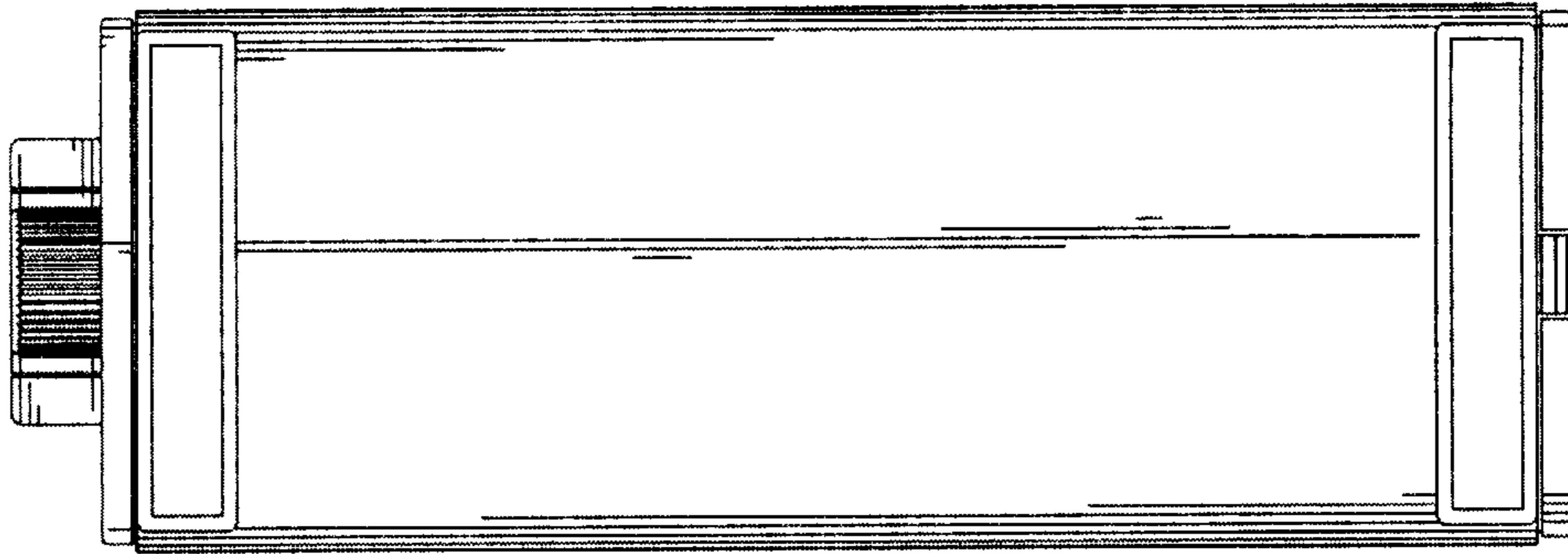


FIG. 7

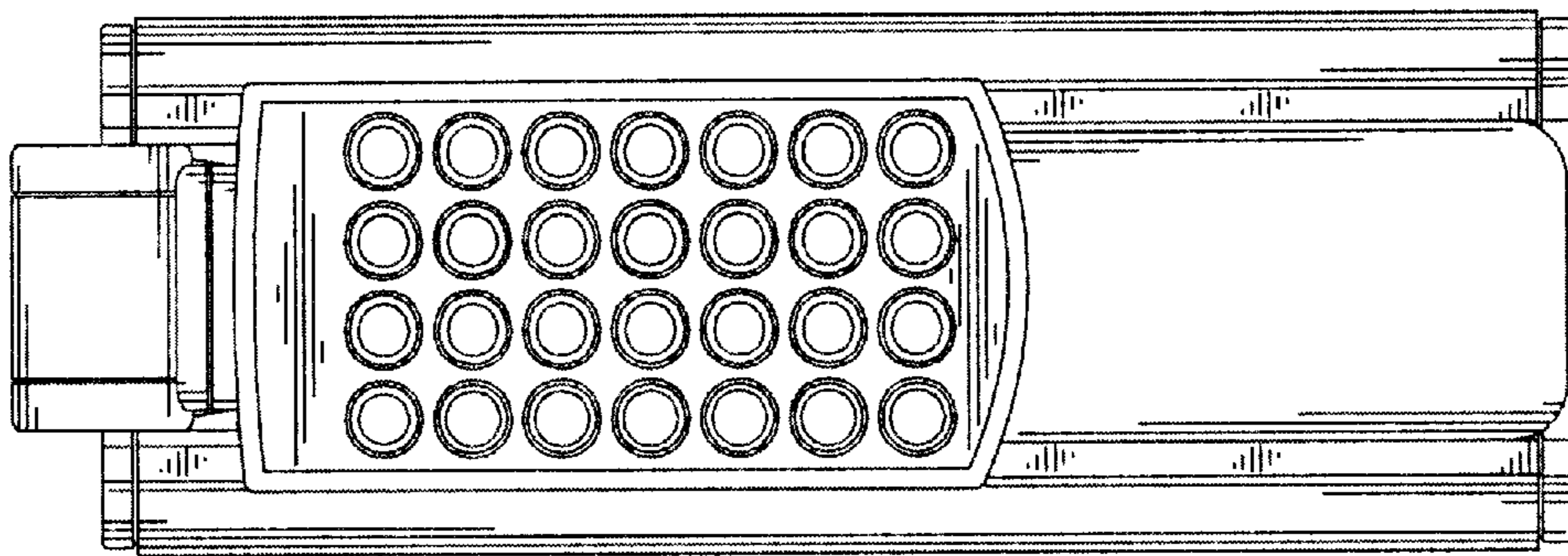


FIG. 6

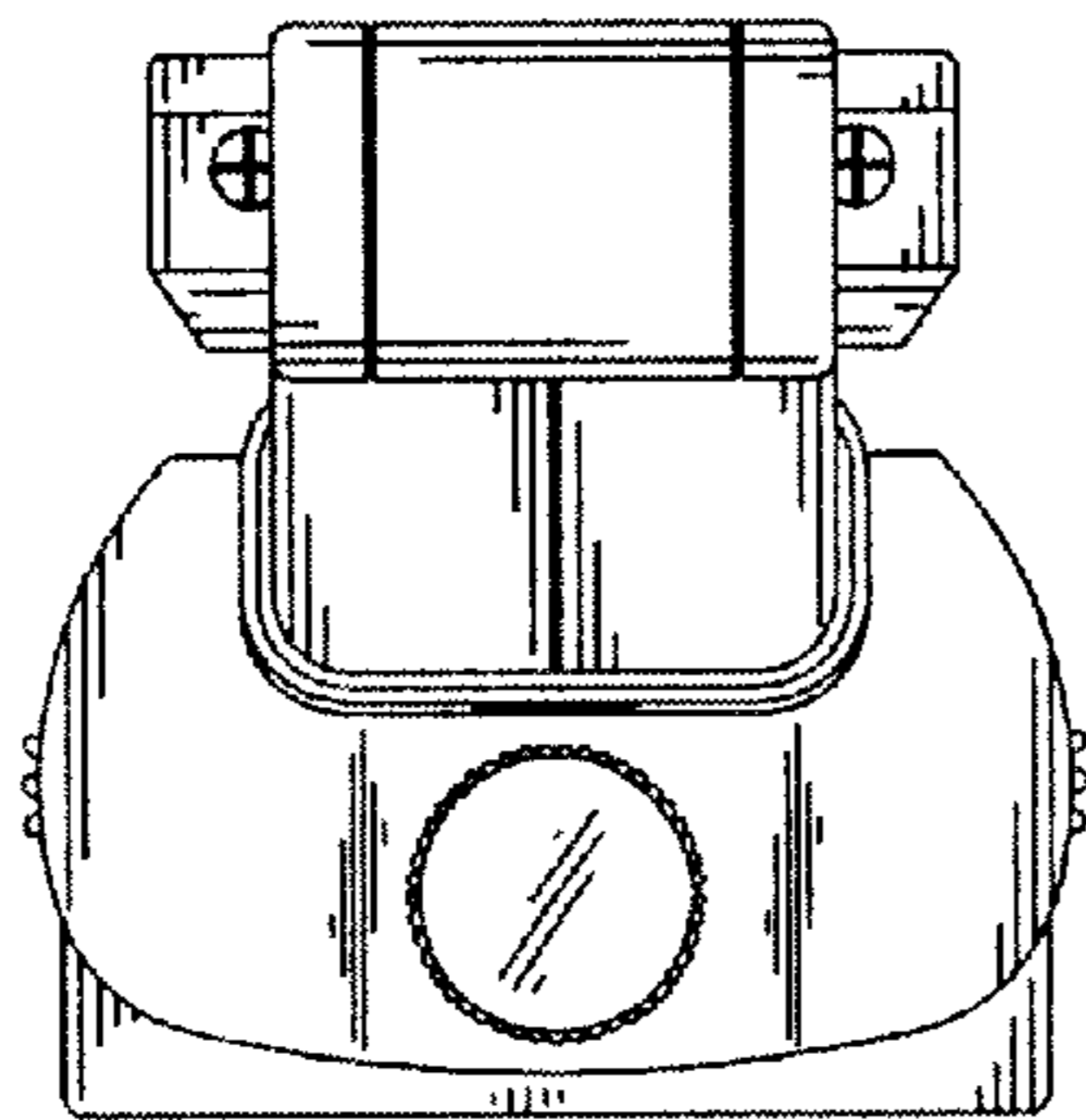


FIG. 4

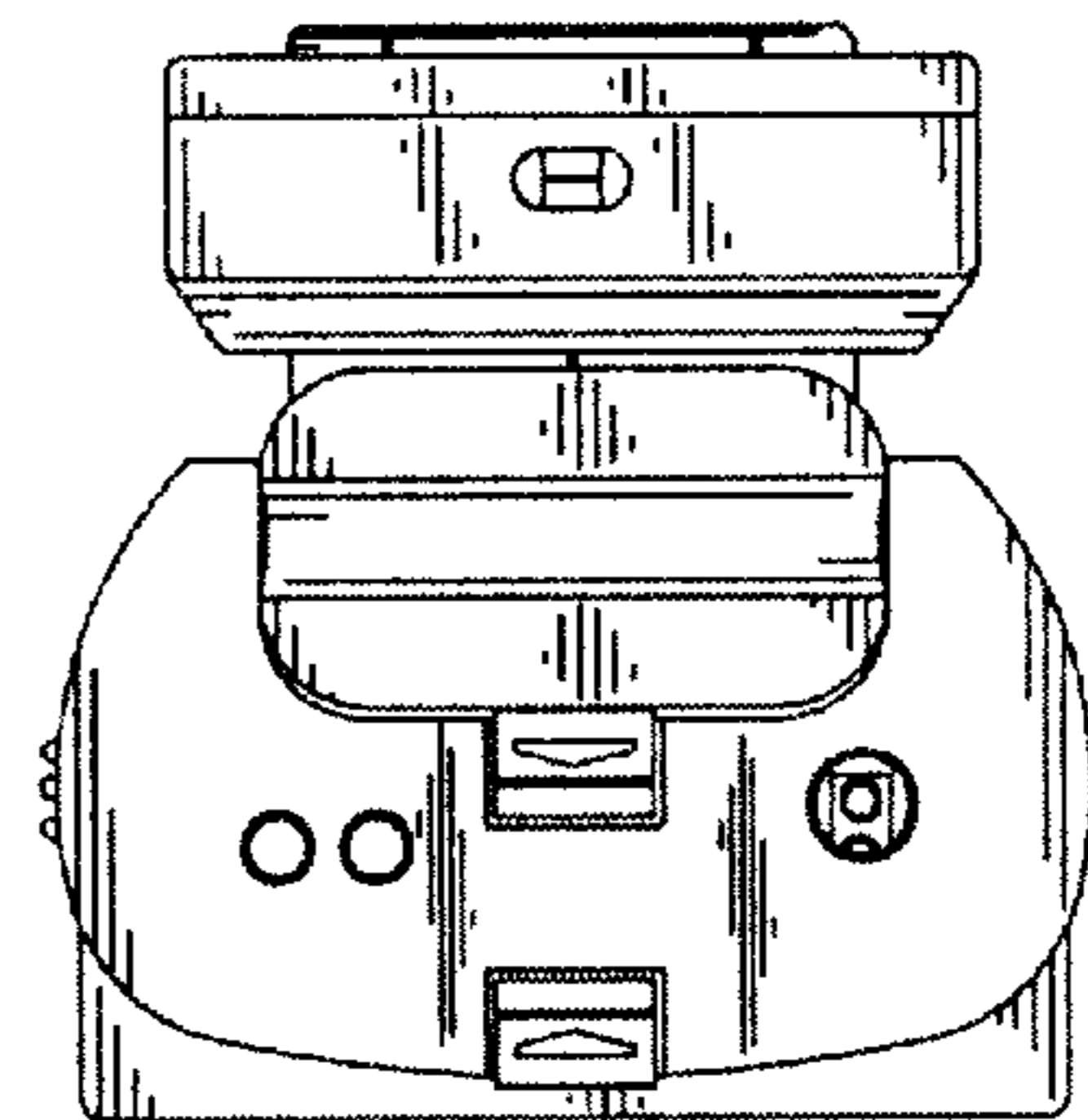


FIG. 5



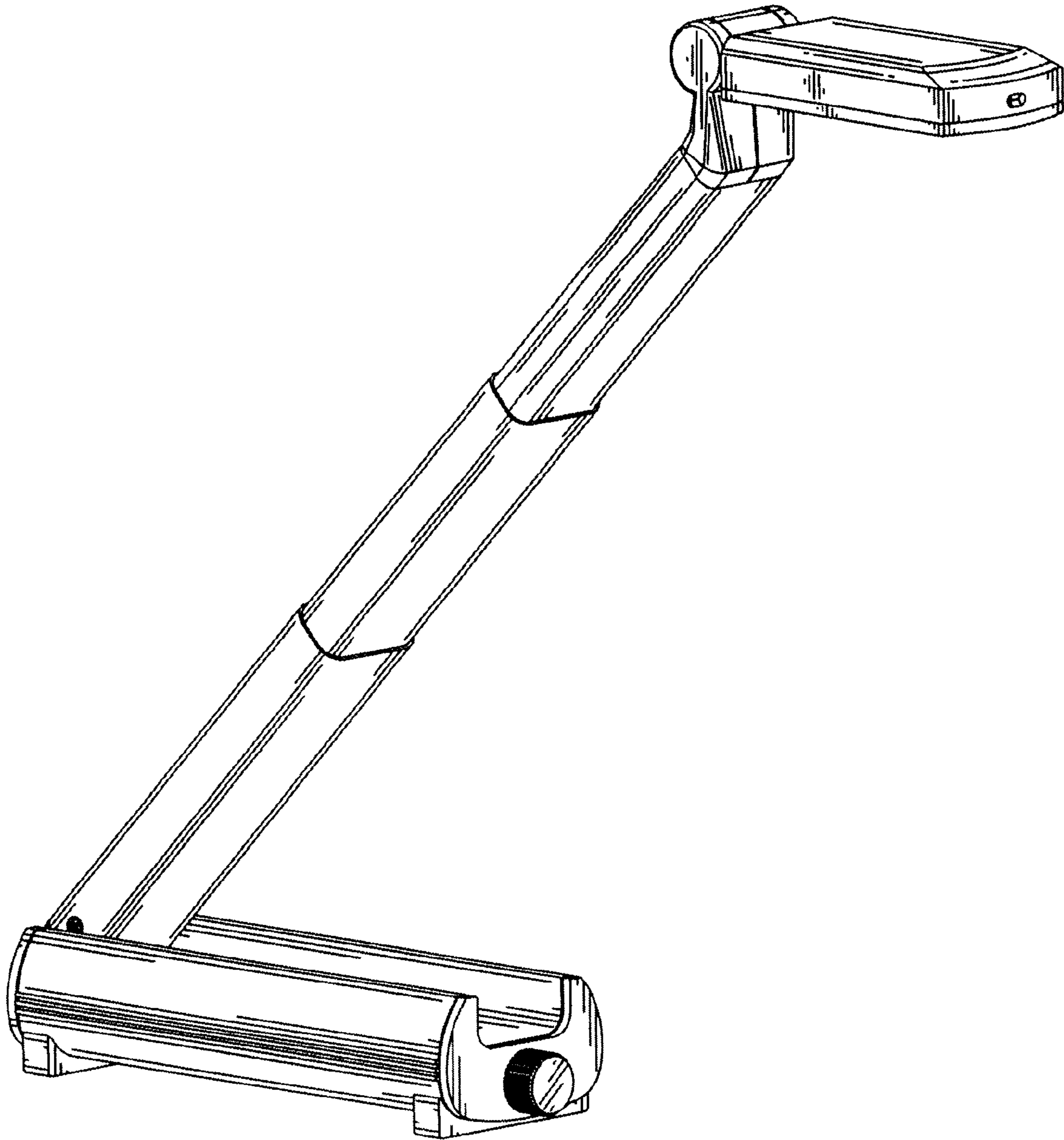


FIG. 8