

US00D523982S

(12) **United States Design Patent**
Doong

(10) **Patent No.:** **US D523,982 S**

(45) **Date of Patent:** **** Jun. 27, 2006**

(54) **FLASHLIGHT**

D467,022 S * 12/2002 Fritz D26/49
D491,305 S * 6/2004 Copeland D26/49

(75) Inventor: **Ding-Ho Doong**, Taipei (TW)

* cited by examiner

(73) Assignee: **Potrans Electrical Corp. Ltd.**, Taipei (TW)

Primary Examiner—Marcus A. Jackson
(74) *Attorney, Agent, or Firm*—Kramer Levin Frankel & Naftalis LLP

(**) Term: **14 Years**

(57) **CLAIM**

(21) Appl. No.: **29/229,778**

The ornamental design for flashlight, as shown and described.

(22) Filed: **May 10, 2005**

(51) **LOC (8) Cl.** **26-02**

(52) **U.S. Cl.** **D26/49**

(58) **Field of Classification Search** D26/37–50;
362/157, 158, 171–174, 183–208
See application file for complete search history.

DESCRIPTION

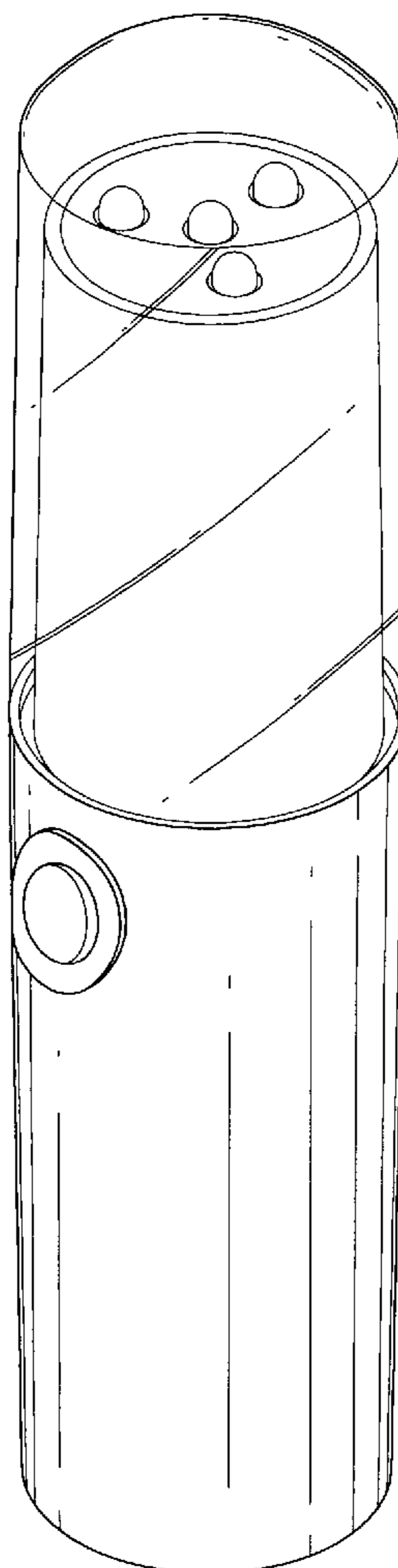
FIG. 1 is a perspective view of flashlight showing my new design;
FIG. 2 is a front elevational view thereof;
FIG. 3 is a rear elevational view thereof;
FIG. 4 is a left side elevational view thereof;
FIG. 5 is a right side elevational view thereof;
FIG. 6 is a top plan view thereof; and,
FIG. 7 is a bottom plan view thereof.

(56) **References Cited**

U.S. PATENT DOCUMENTS

D419,254 S * 1/2000 Chiu D26/49
D436,417 S * 1/2001 Parker D26/49

1 Claim, 6 Drawing Sheets



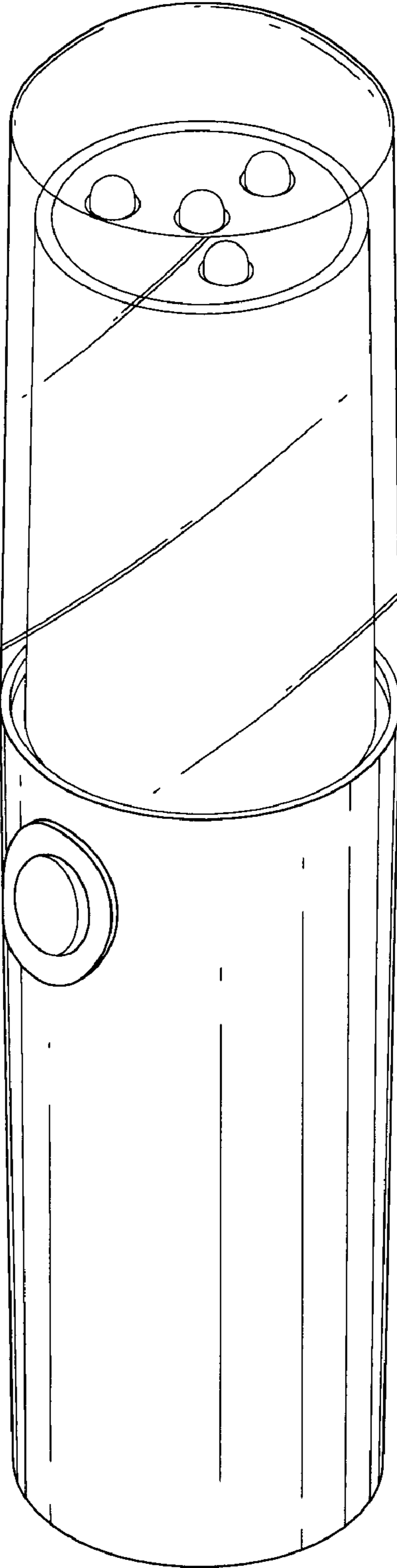


FIG. 1

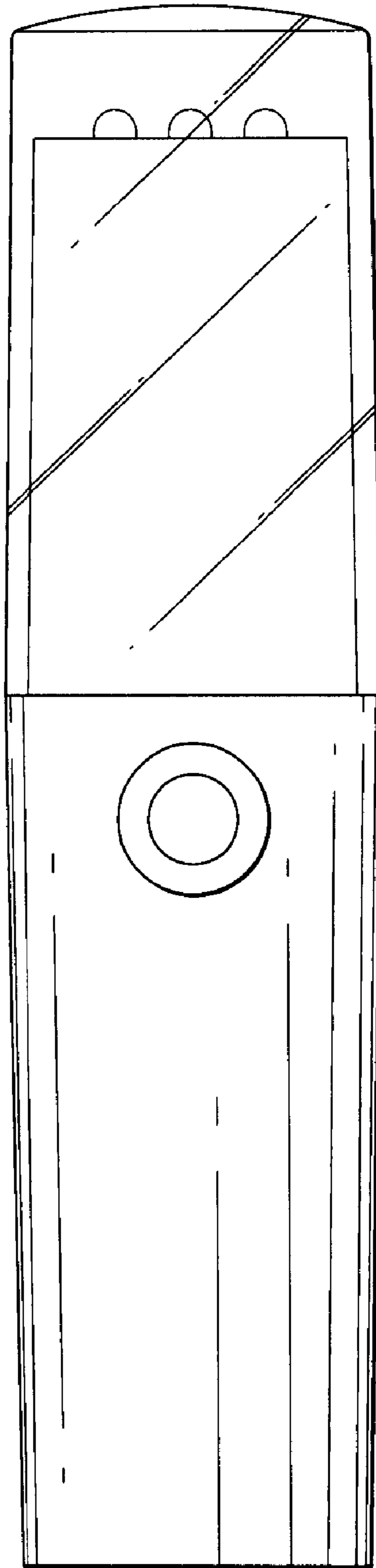


FIG. 2

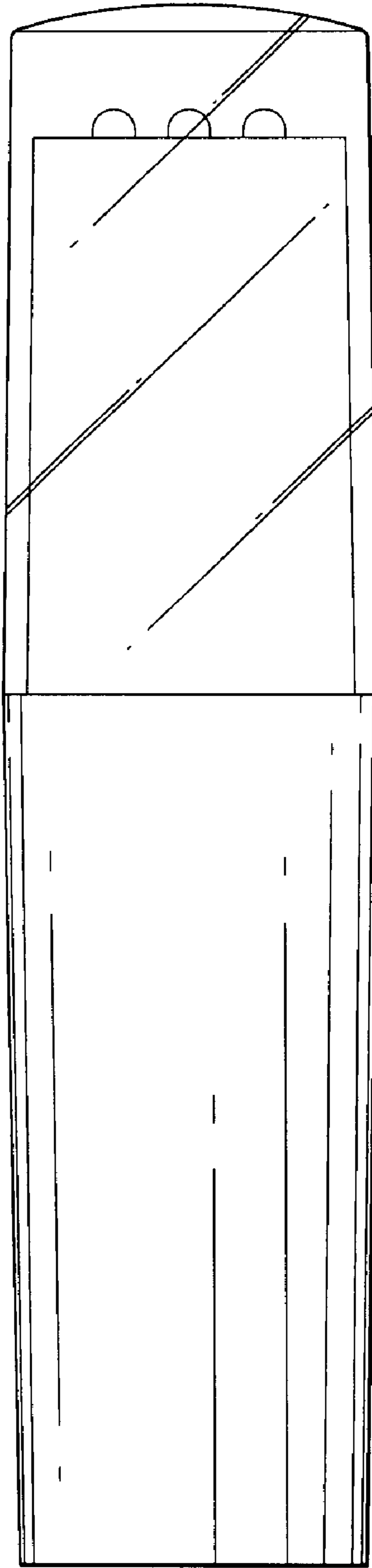


FIG. 3

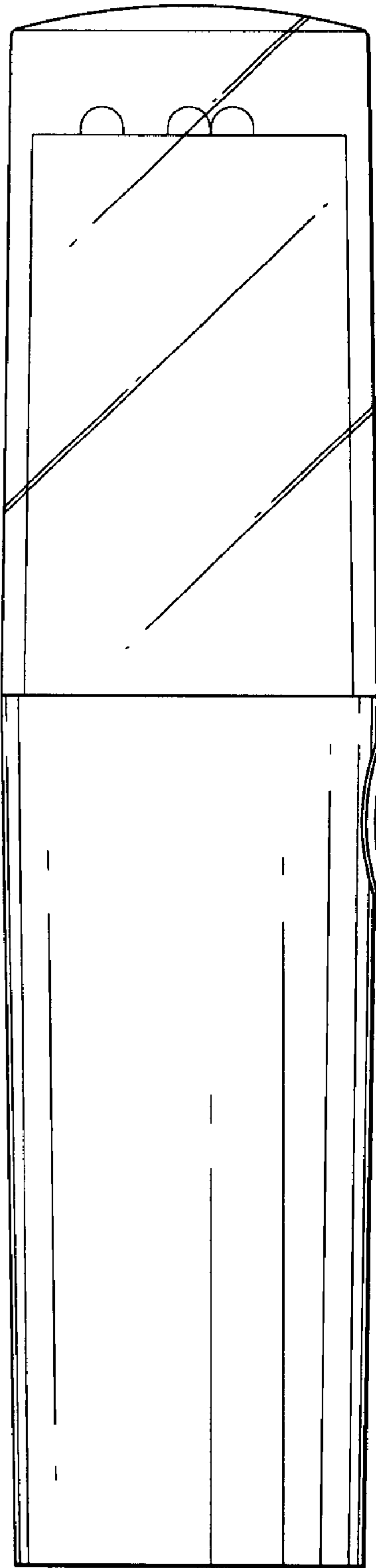


FIG. 4

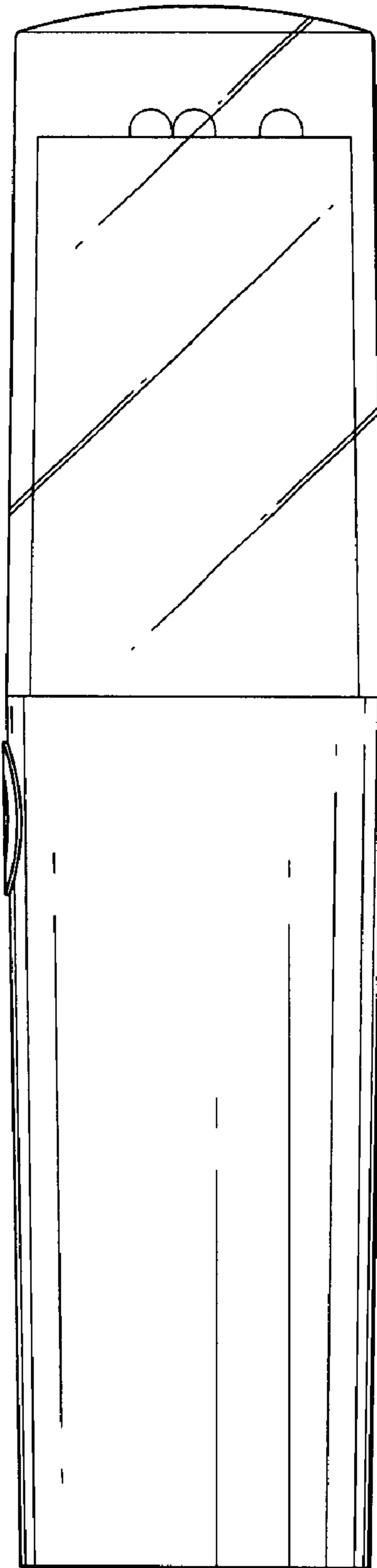


FIG. 5

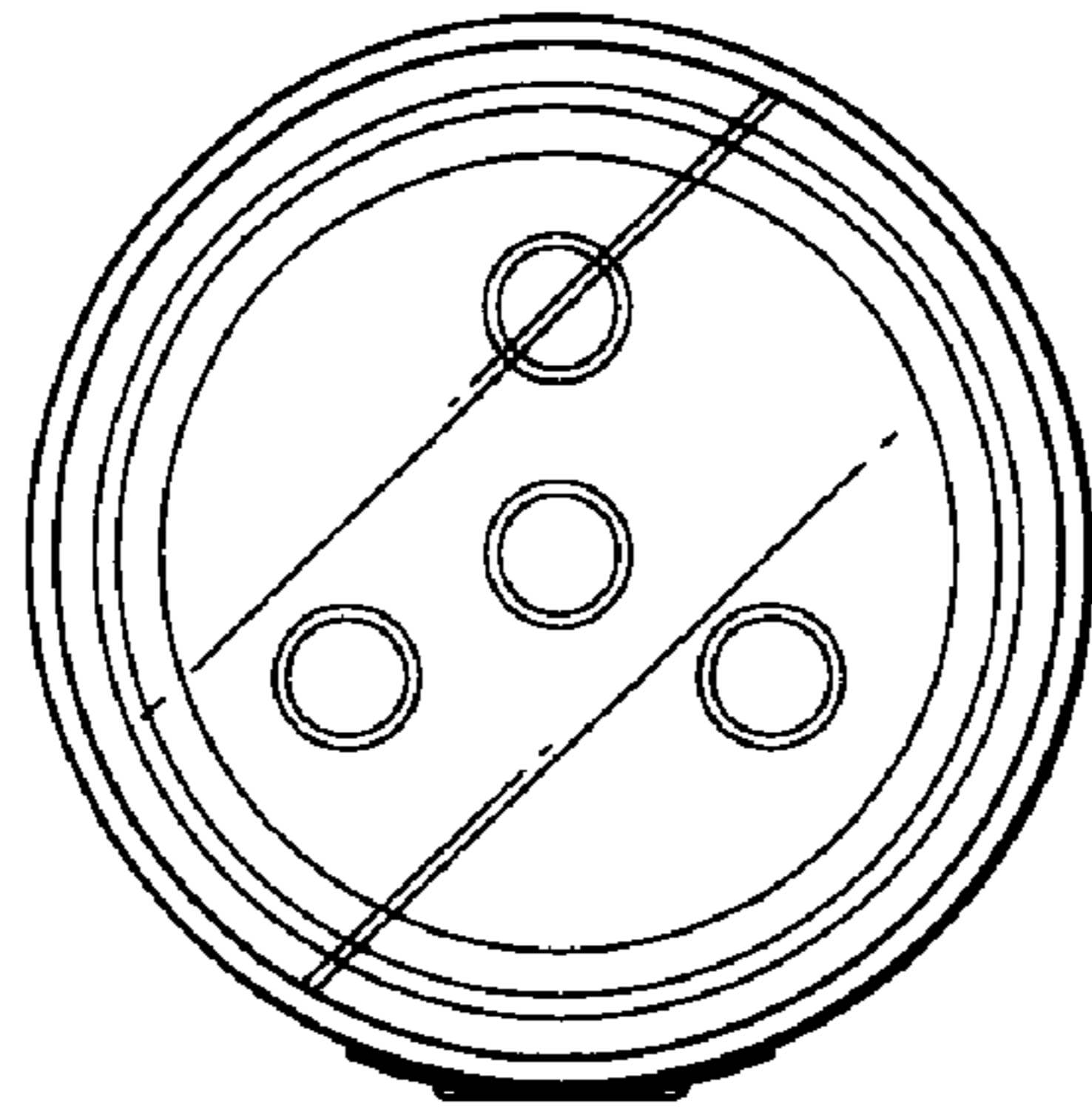


FIG. 6

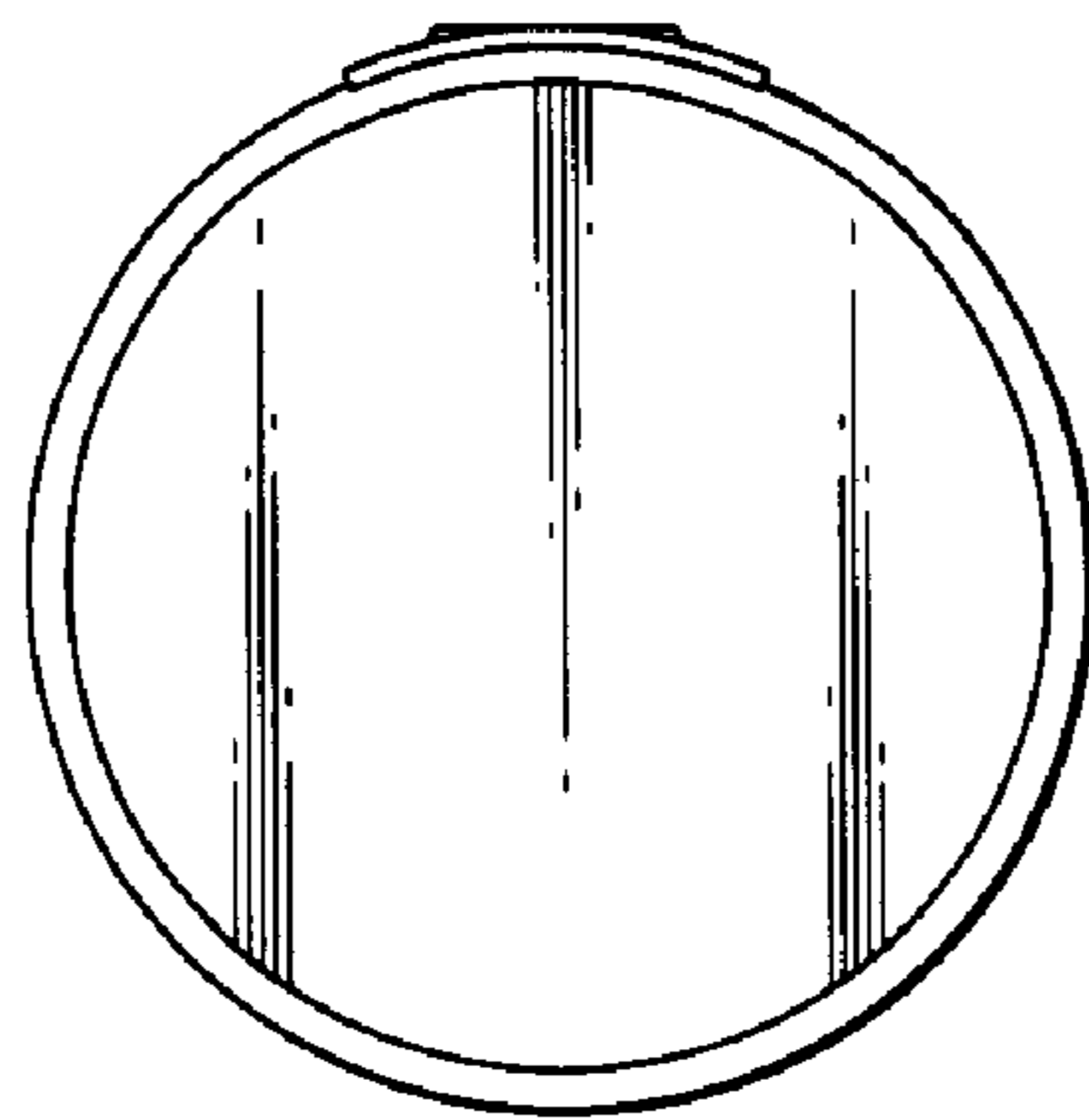


FIG. 7