



US00D523981S

(12) **United States Design Patent**
Galli

(10) **Patent No.:** **US D523,981 S**

(45) **Date of Patent:** **** Jun. 27, 2006**

(54) **FLASHLIGHT**

(76) Inventor: **Robert D. Galli**, 135 Circuit Dr., North Kingstown, RI (US) 02832

(**) Term: **14 Years**

(21) Appl. No.: **29/219,247**

(22) Filed: **Dec. 14, 2004**

(51) **LOC (8) Cl.** **26-02**

(52) **U.S. Cl.** **D26/37**

(58) **Field of Classification Search** D26/37-50;
362/157, 158, 171-174, 183-208
See application file for complete search history.

(56) **References Cited**

U.S. PATENT DOCUMENTS

D434,164 S	11/2000	Galli	D26/49
D455,510 S	4/2002	Galli	D26/37
D455,513 S	4/2002	Galli	D26/49
D463,593 S	9/2002	Galli	D26/49
D468,464 S	1/2003	Galli	D26/37
D468,851 S	1/2003	Galli	D26/37
D476,103 S	6/2003	Galli	D26/37
D489,469 S	* 5/2004	Liou	D26/37
D491,301 S	* 6/2004	Chen	D26/37
D492,432 S	* 6/2004	Yang	D26/37
D495,442 S	* 8/2004	Packard	D26/37
D501,054 S	1/2005	Galli	D26/37

D501,055 S * 1/2005 Packard D26/37

* cited by examiner

Primary Examiner—Marcus A. Jackson

(74) *Attorney, Agent, or Firm*—Barlow, Josephs & Holmes, Ltd.

(57) **CLAIM**

The ornamental design for a flashlight, as shown and described.

DESCRIPTION

FIG. 1 is a perspective view of a flashlight, showing my new design;

FIG. 2 is a top view thereof;

FIG. 3 is a bottom view thereof;

FIG. 4 is a right side view thereof;

FIG. 5 is left side view thereof;

FIG. 6 is front end view thereof;

FIG. 7 is rear end view thereof;

FIG. 8 is a perspective view of an alternate embodiment of a flashlight, showing my new design;

FIG. 9 is a top view thereof;

FIG. 10 is a bottom view thereof;

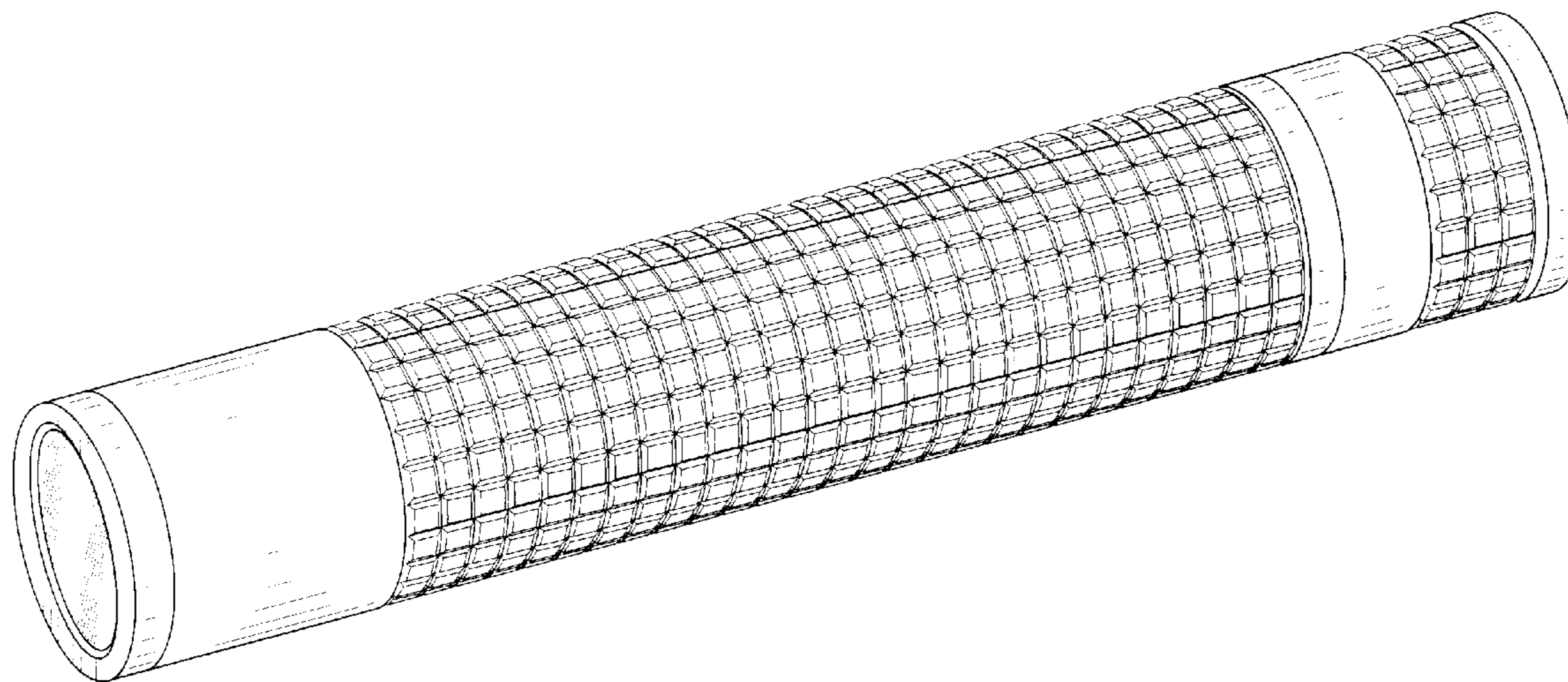
FIG. 11 is a right side view thereof;

FIG. 12 is left side view thereof;

FIG. 13 is front end view thereof; and,

FIG. 14 is rear end view thereof.

1 Claim, 14 Drawing Sheets



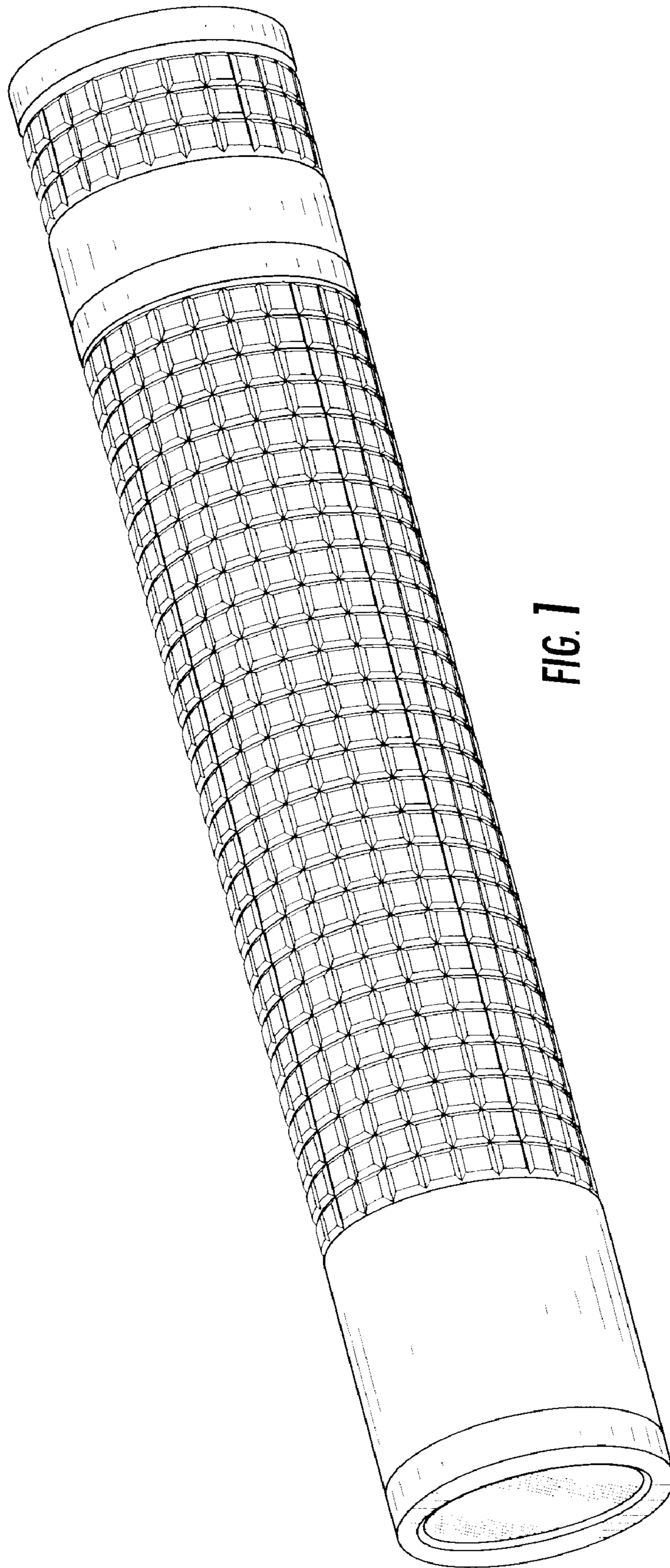


FIG. 1

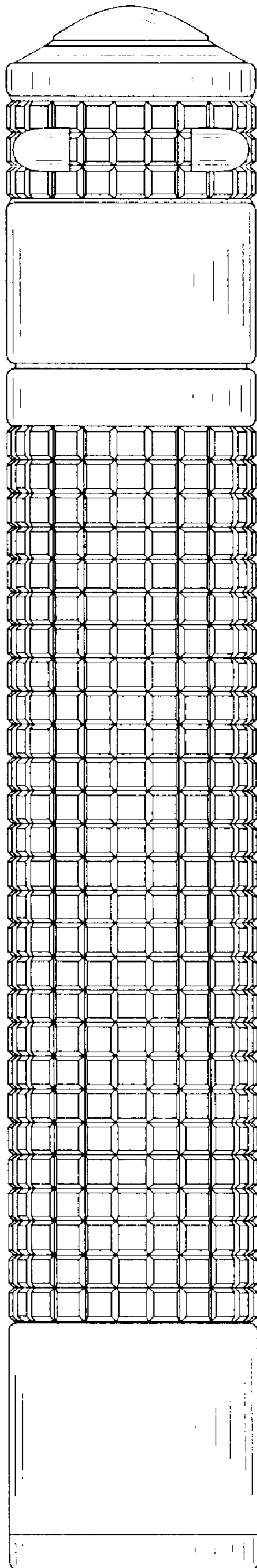


FIG. 2

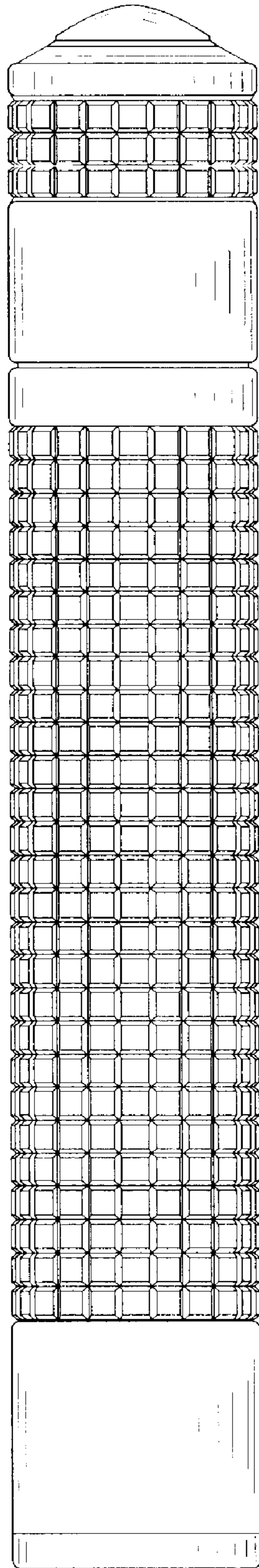


FIG. 3

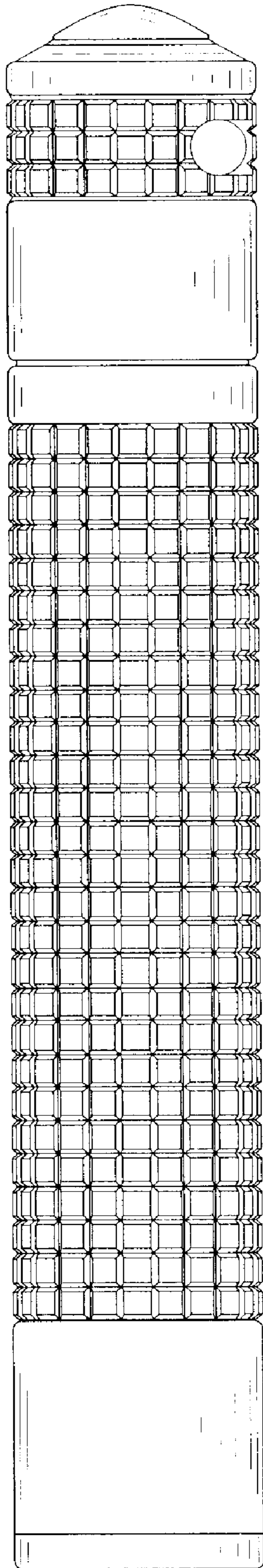


FIG. 4

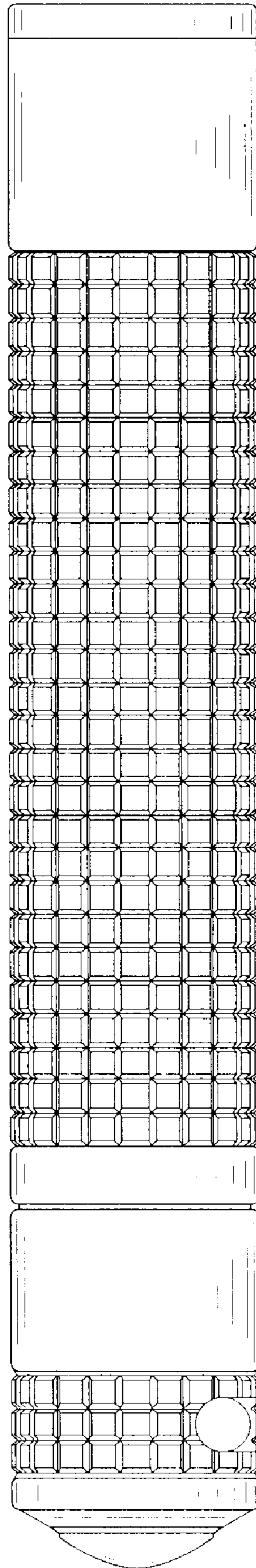


FIG. 5

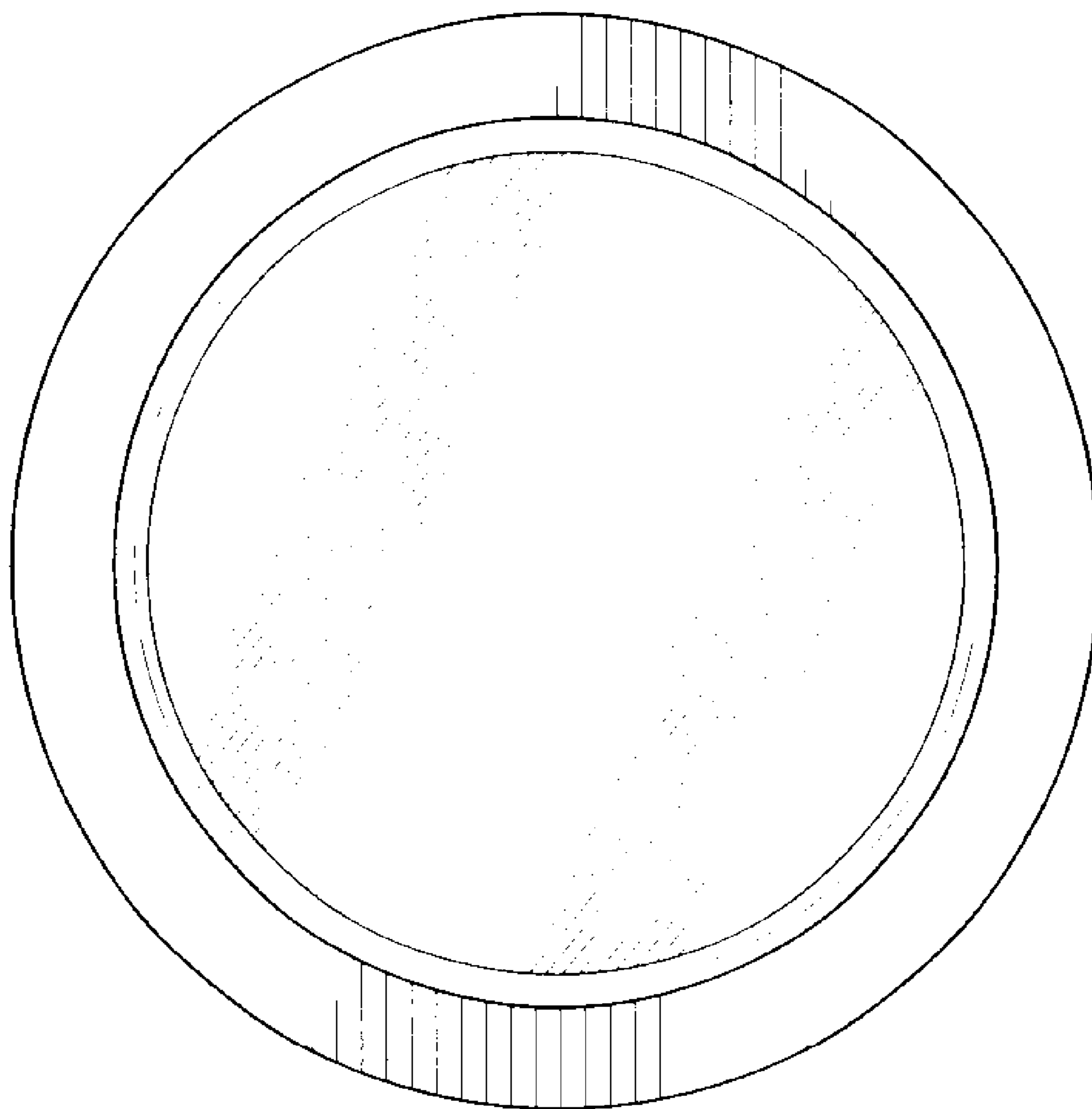


FIG. 6

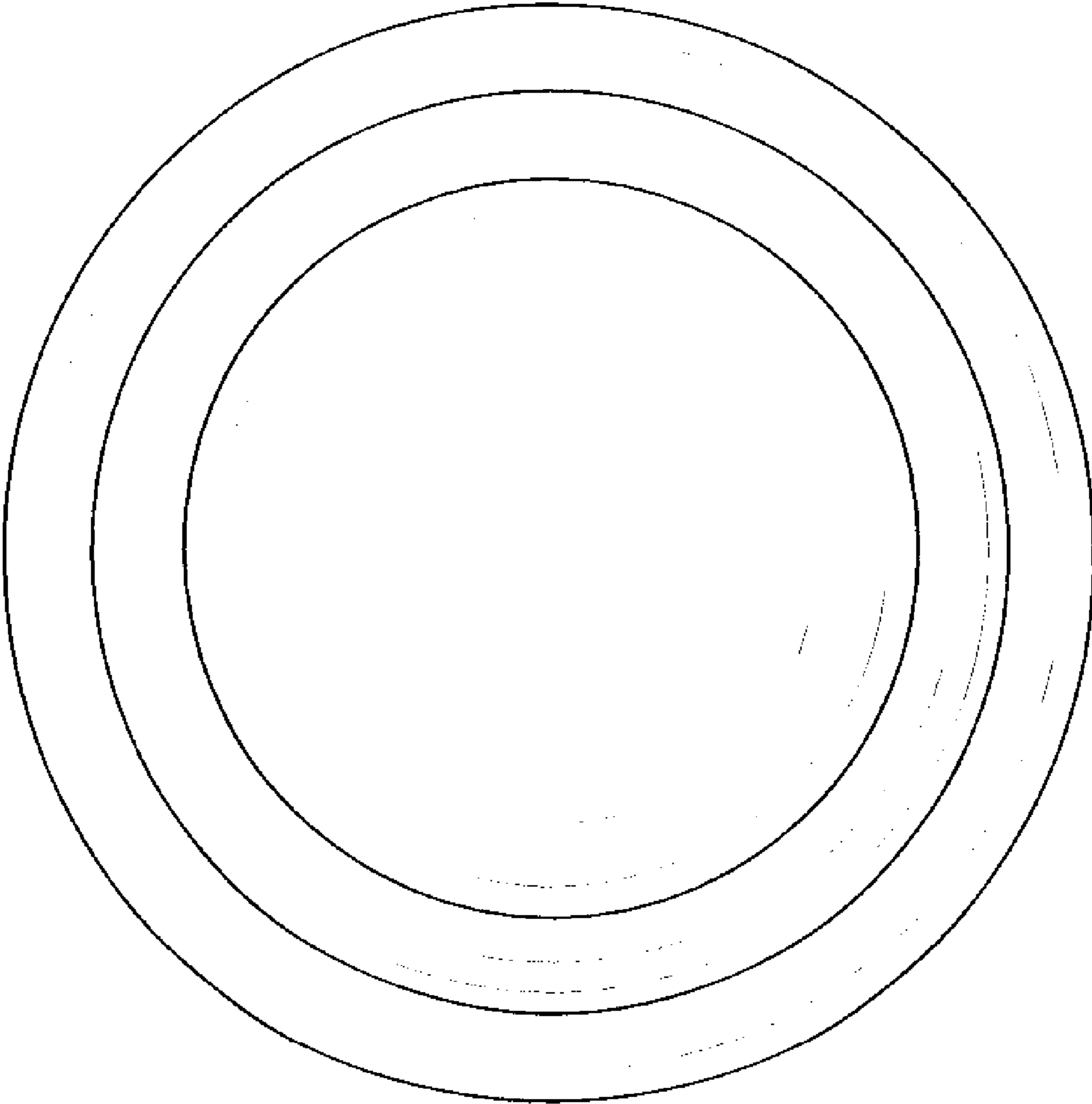


FIG. 7

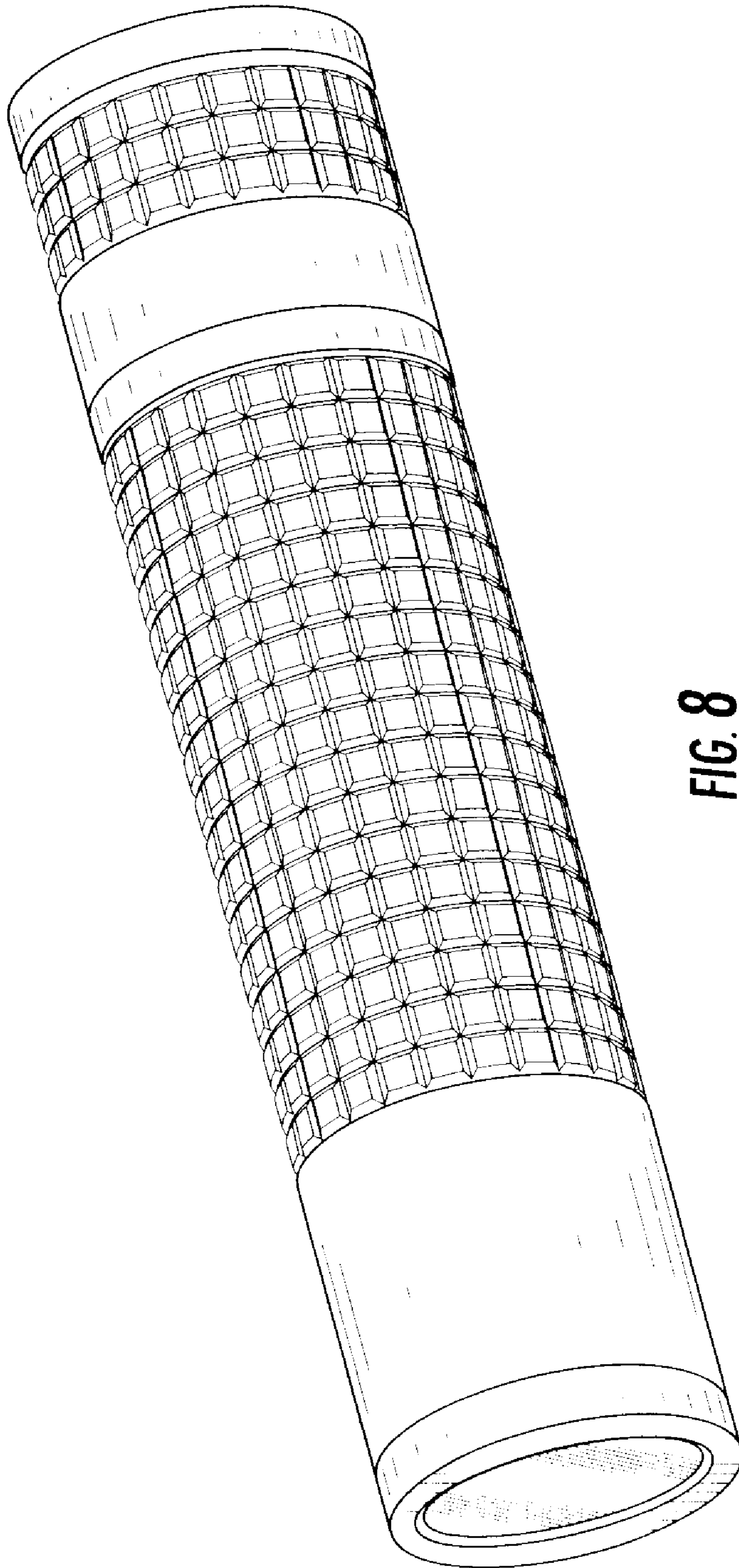


FIG. 8

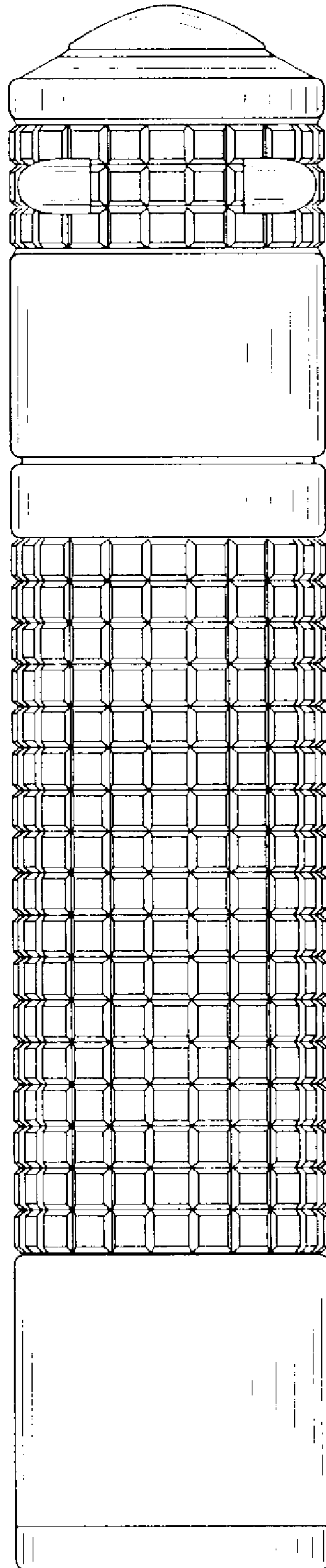


FIG. 9

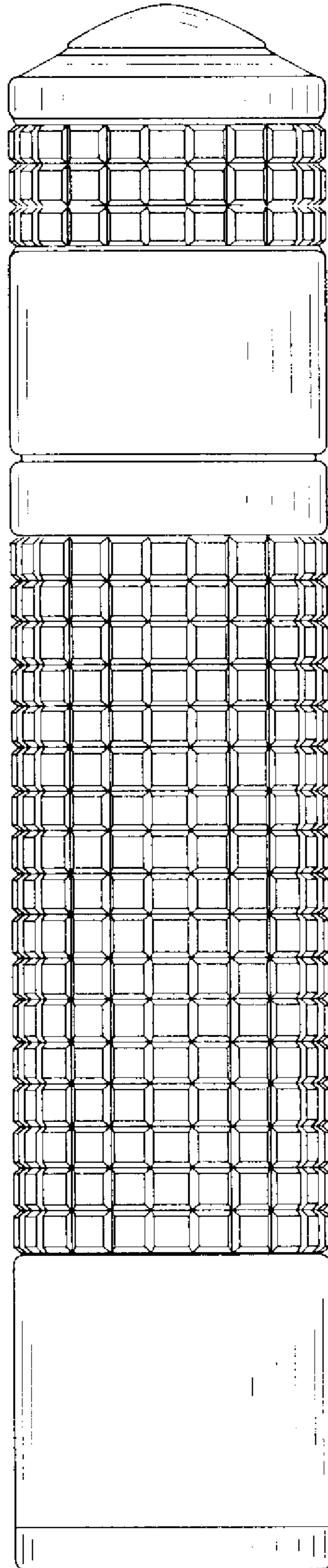


FIG. 10

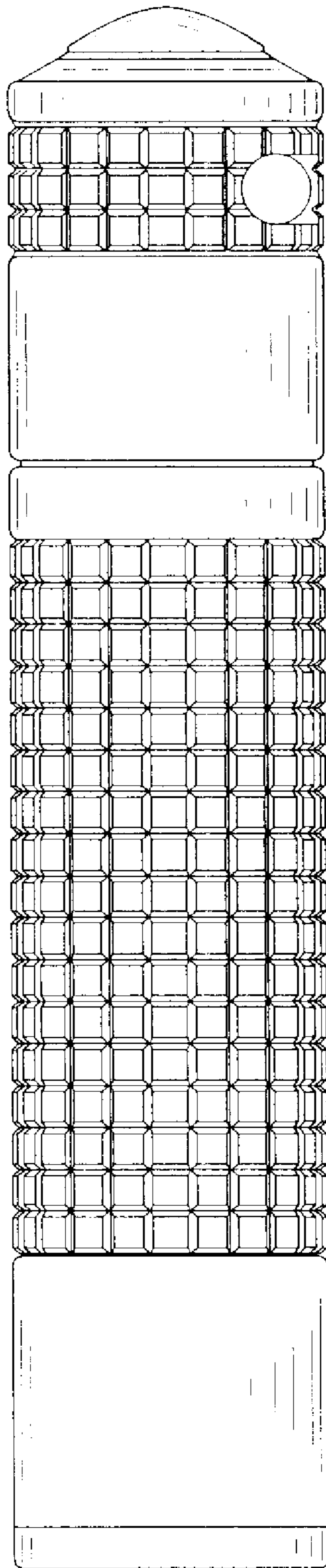


FIG. 11

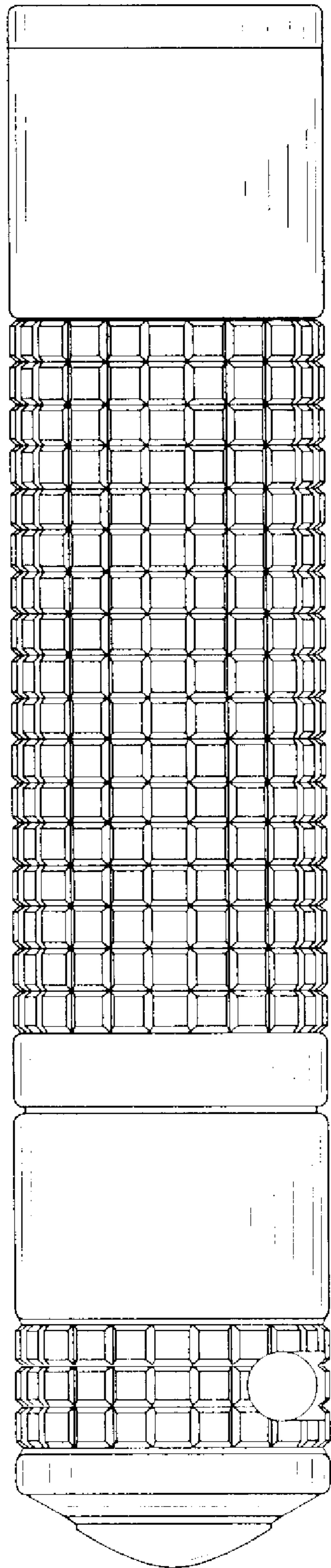


FIG. 12

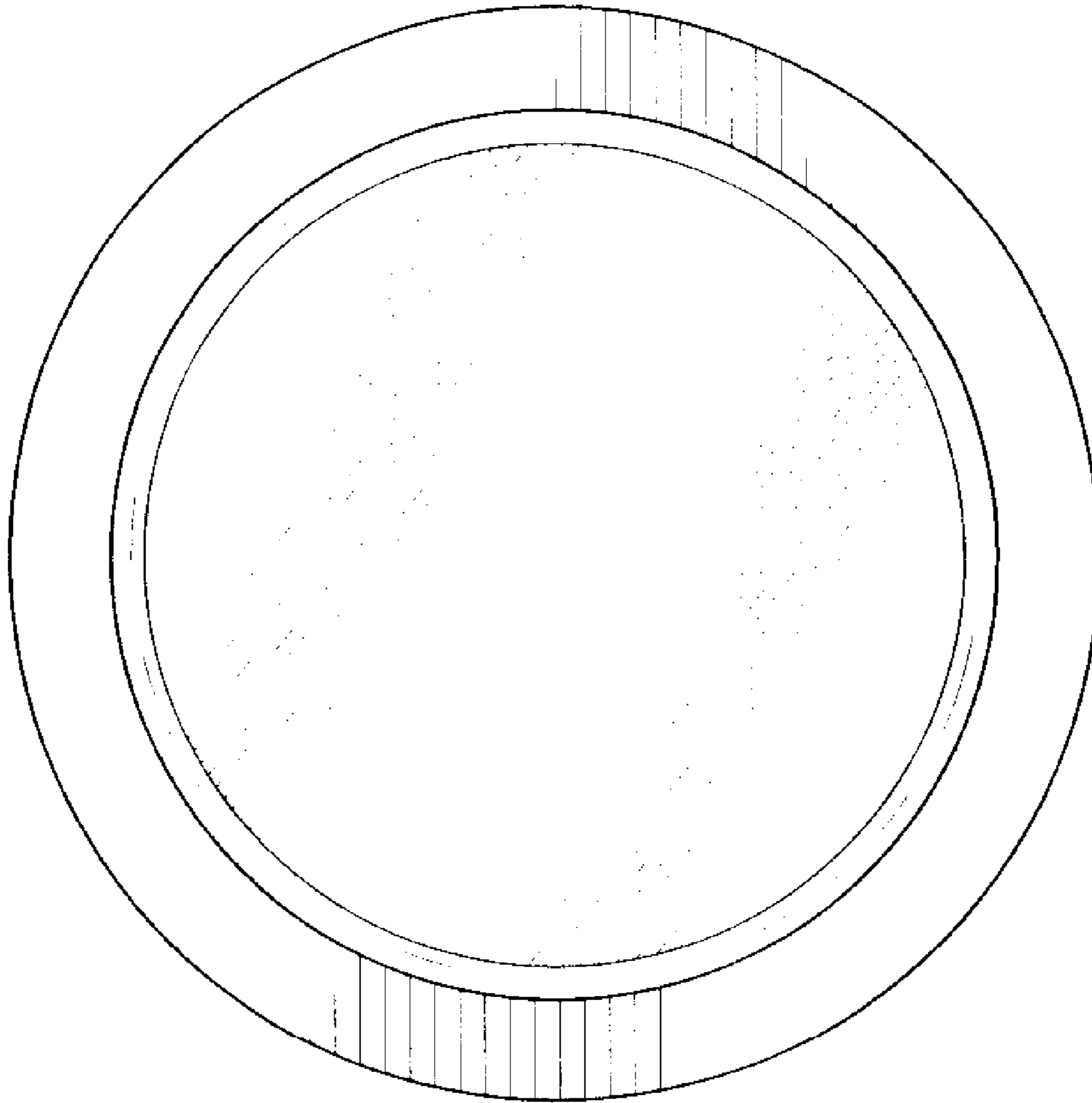


FIG. 13

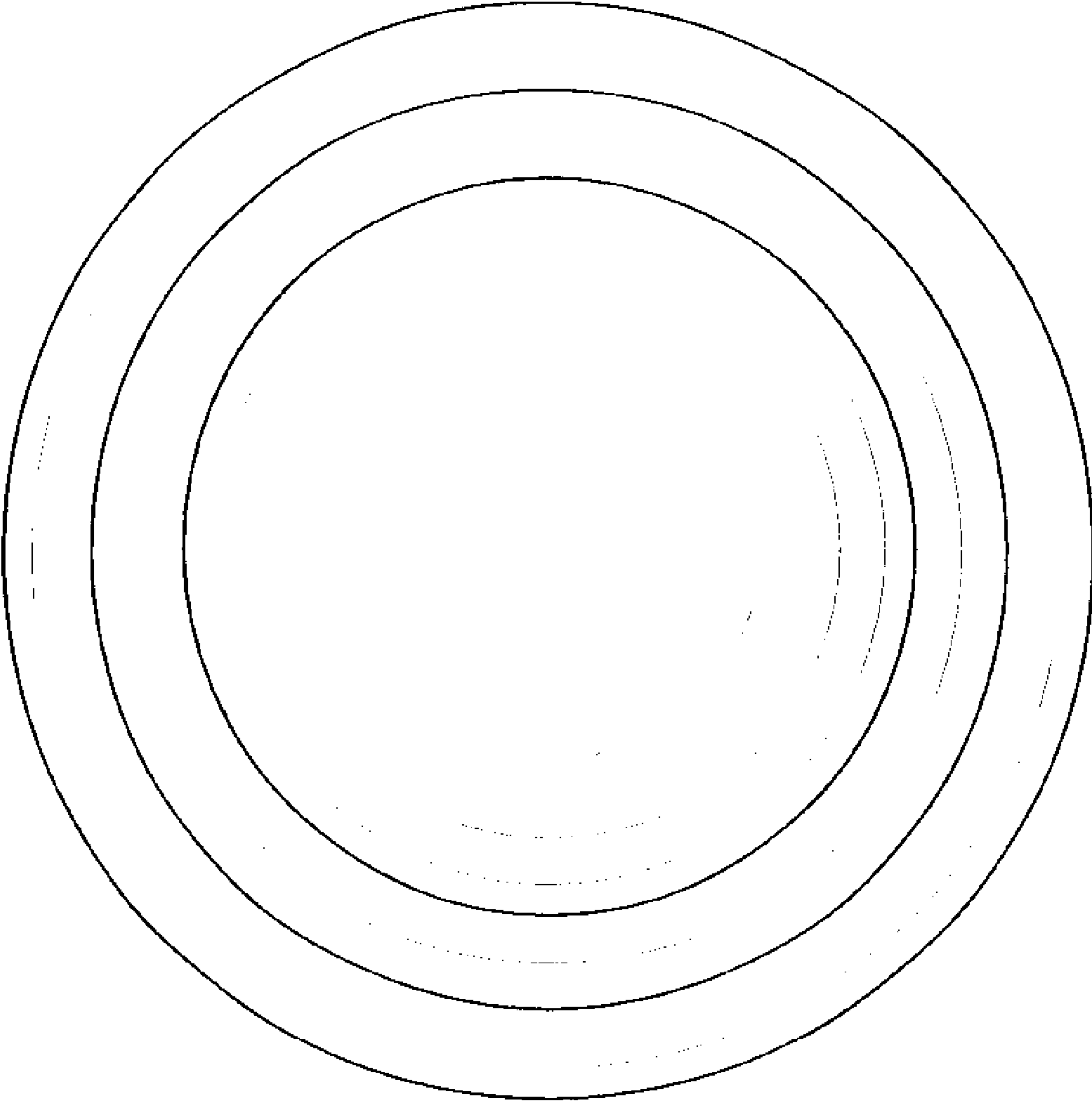


FIG. 14