



US00D523979S

(12) **United States Design Patent**
Chuang

(10) **Patent No.:** **US D523,979 S**

(45) **Date of Patent:** **** Jun. 27, 2006**

(54) **REAR COMBINATION LAMPS FOR
AUTOMOBILE BODY**

(75) Inventor: **Yung-Yi Chuang**, Taipei (TW)

(73) Assignee: **Lasertech Corporation**, Taipei Hsien
(TW)

(**) Term: **14 Years**

(21) Appl. No.: **29/229,867**

(22) Filed: **May 13, 2005**

(51) **LOC (8) Cl.** **26-06**

(52) **U.S. Cl.** **D26/28**

(58) **Field of Classification Search** D26/28-36;
362/459-468, 475-478, 485-487

See application file for complete search history.

(56) **References Cited**

U.S. PATENT DOCUMENTS

D493,006 S * 7/2004 Liu D26/28

D502,562 S * 3/2005 Lin D26/28

D509,005 S * 8/2005 Iwasaki D26/28

* cited by examiner

Primary Examiner—Marcus A. Jackson

(74) *Attorney, Agent, or Firm*—Winston Hsu

(57) **CLAIM**

The ornamental design for rear combination lamps for automobile body, as shown and described.

DESCRIPTION

FIG. 1 is a front view of rear combination lamps for automobile body showing the new design;

FIG. 2 is a left side view thereof;

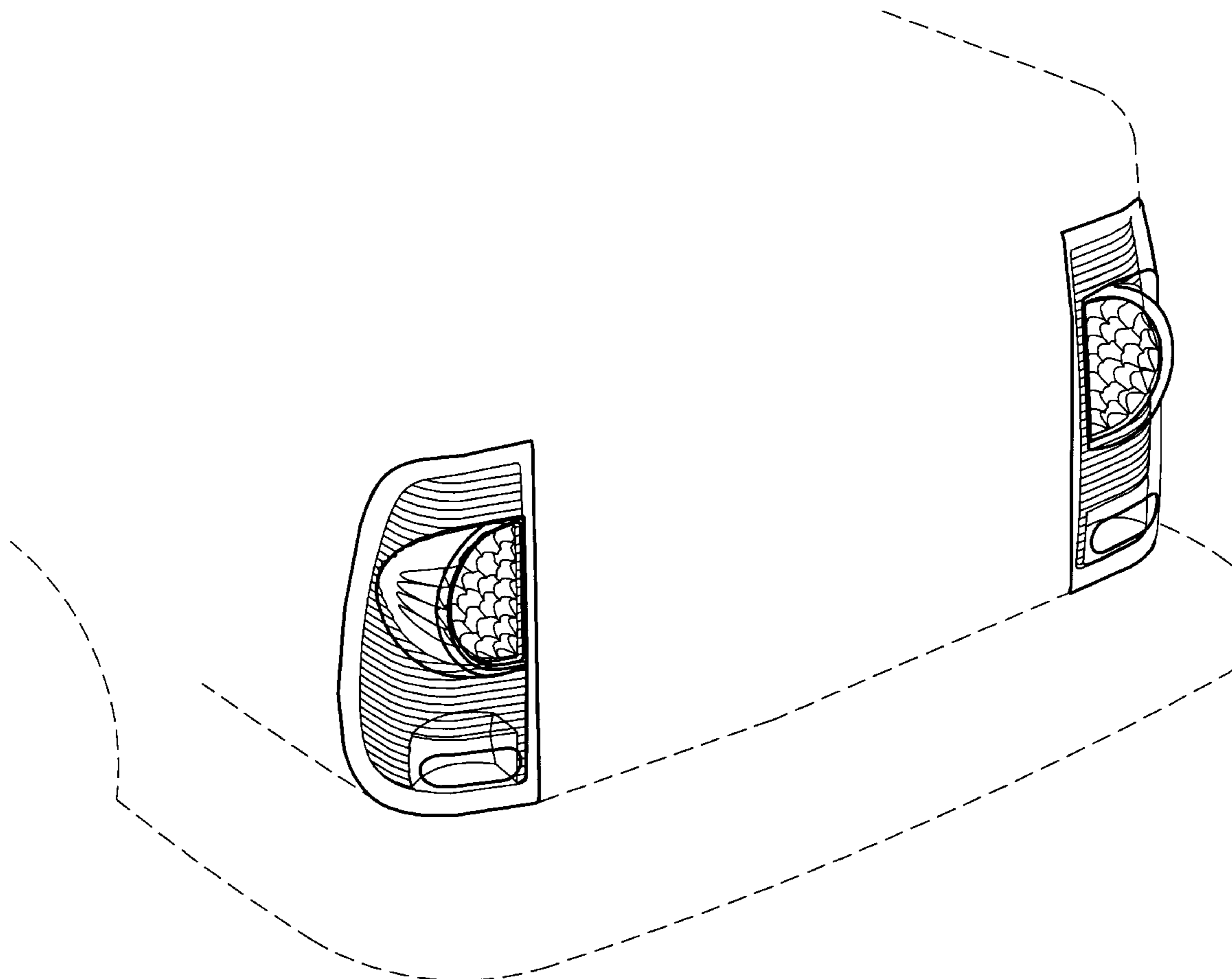
FIG. 3 is a right side view thereof;

FIG. 4 is a top view thereof; and,

FIG. 5 is a perspective view thereof.

The transparent/translucent external covers (not shown) of the rear combination lamps form no part of the claimed design. In addition, the broken line showing the automobile body is only for illustrative purposes and forms no part of the claimed design.

1 Claim, 5 Drawing Sheets



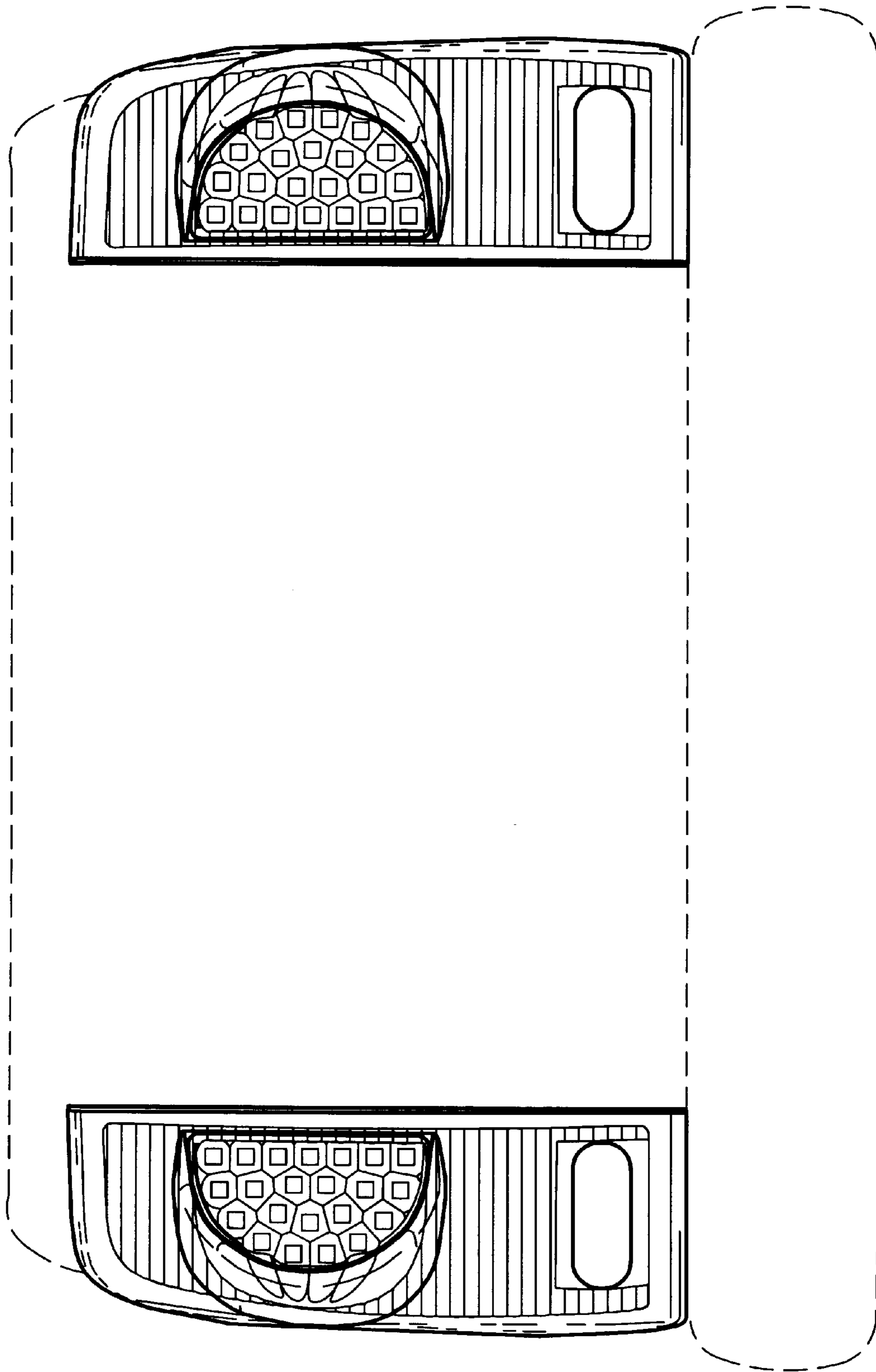


Fig. 1

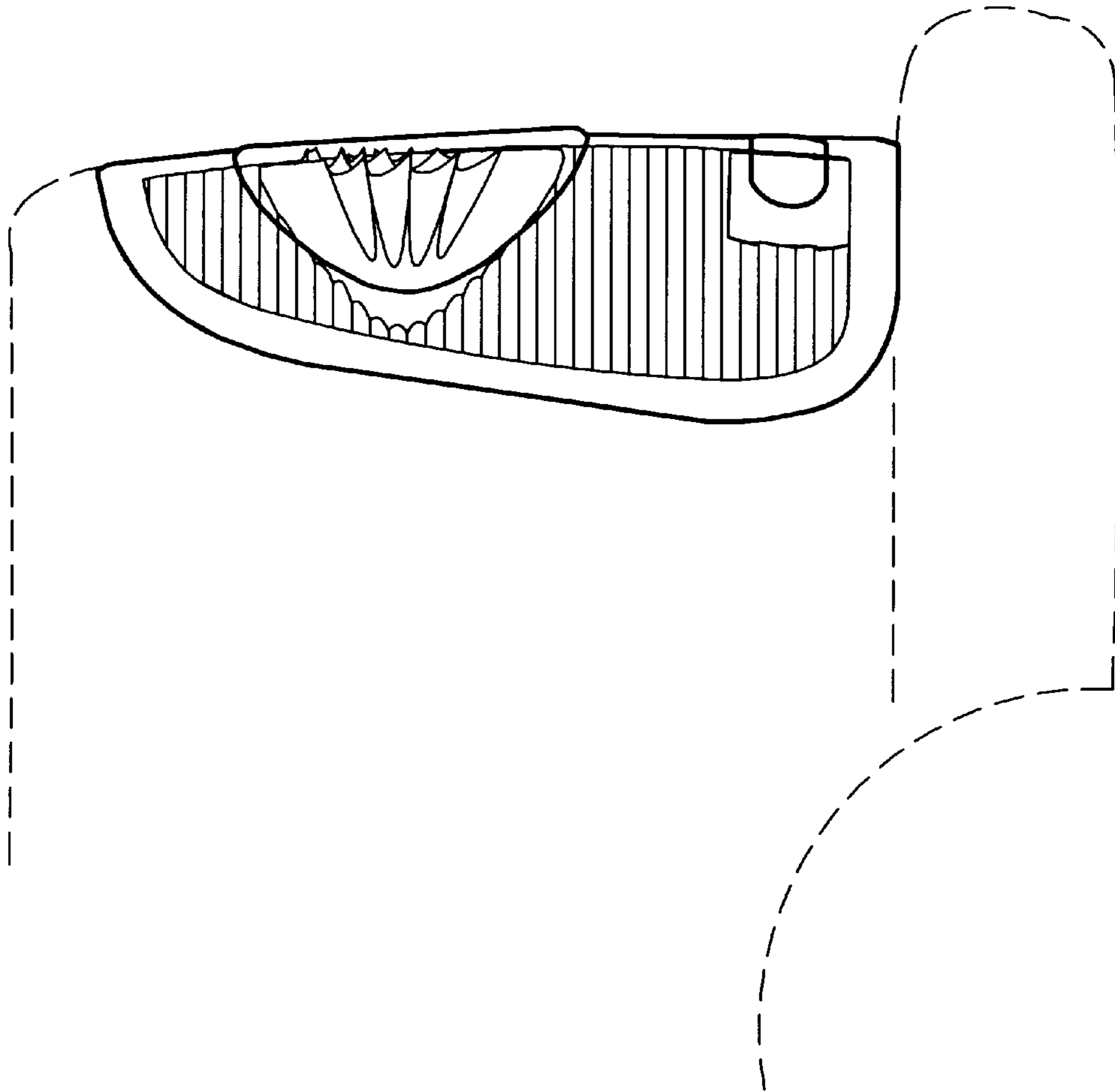


Fig. 2

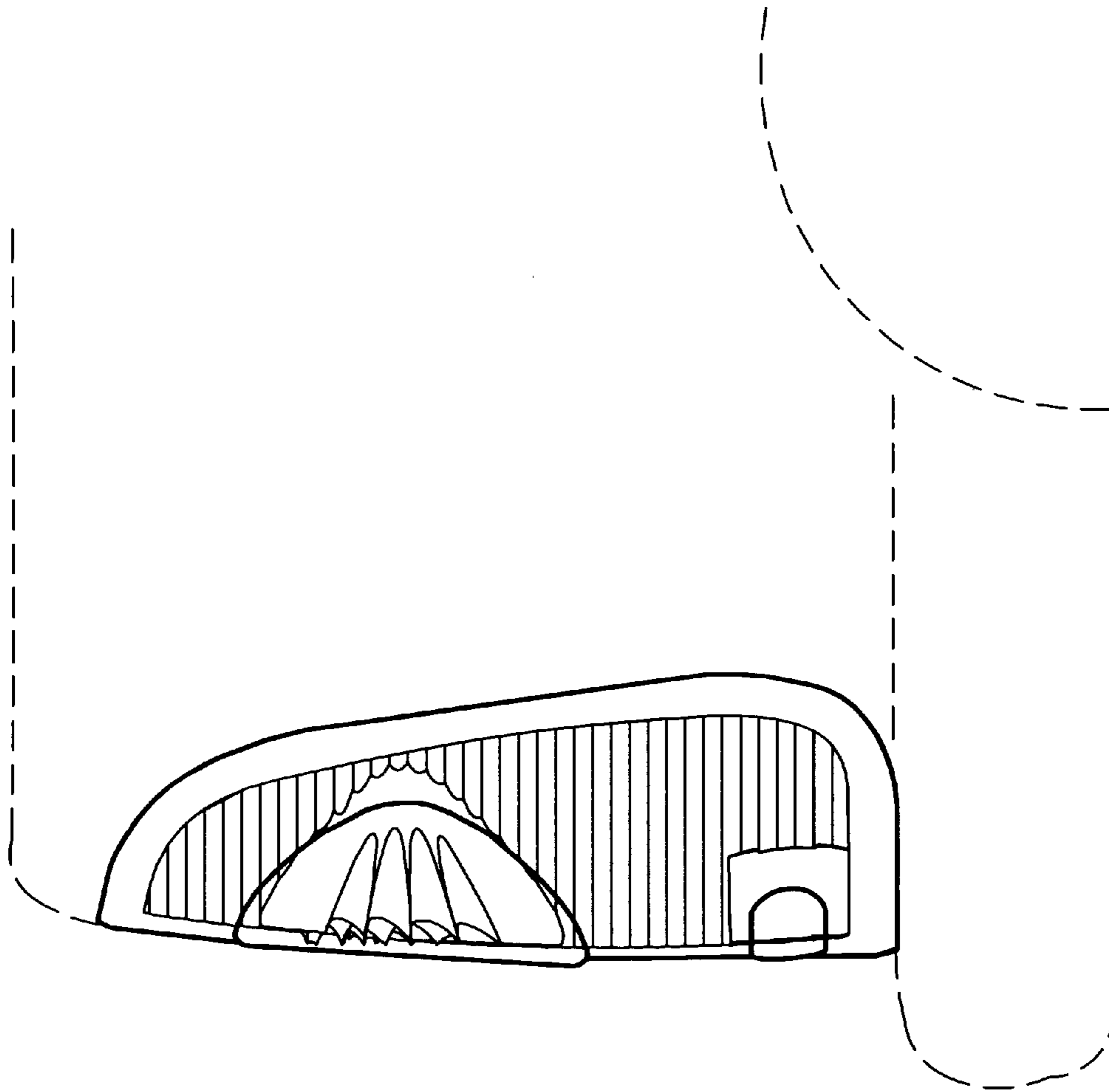


Fig. 3

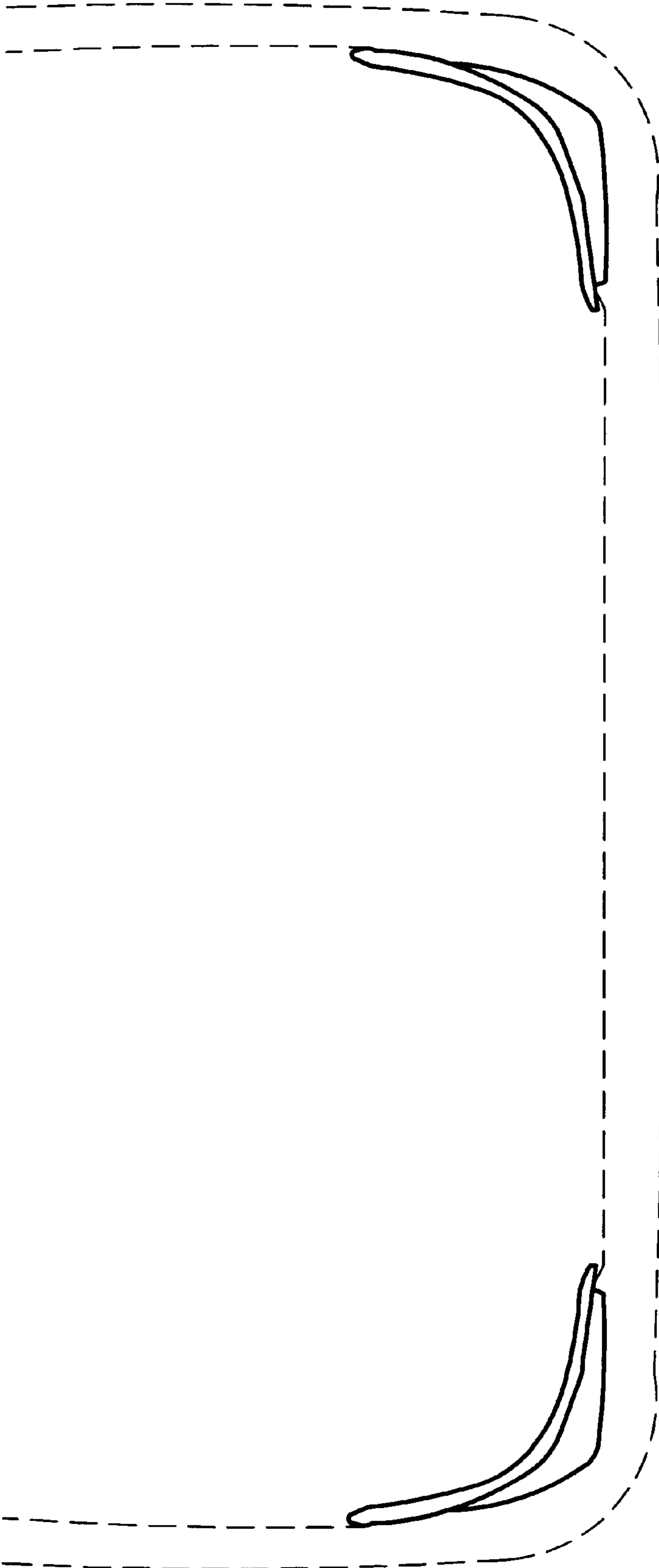


Fig. 4

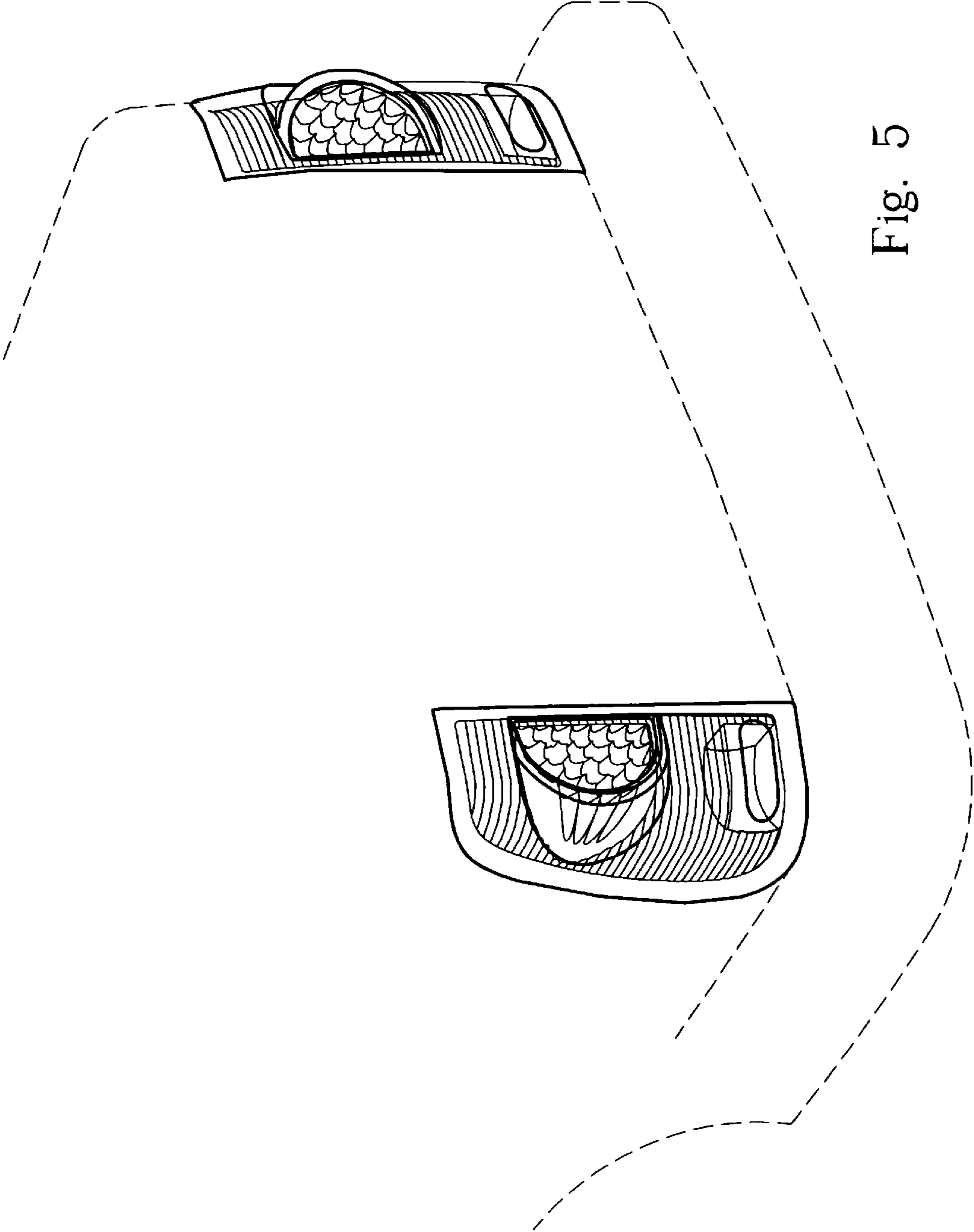


Fig. 5