



US00D523974S

(12) **United States Design Patent**  
**Meyers**

(10) **Patent No.:** **US D523,974 S**  
(45) **Date of Patent:** **\*\* Jun. 27, 2006**

(54) **FIBER OPTIC NIGHT LIGHT**

(75) Inventor: **Todd M. Meyers**, Plymouth, MN (US)

(73) Assignee: **Cataluna, Enterprises, Inc.**,  
Minneapolis, MN (US)

(\*\*) Term: **14 Years**

(21) Appl. No.: **29/226,252**

(22) Filed: **Mar. 25, 2005**

(51) **LOC (8) Cl.** ..... **26-05**

(52) **U.S. Cl.** ..... **D26/26; D26/27**

(58) **Field of Classification Search** ..... D26/26,  
D26/73, 94, 125, 127, 97; 362/95, 653, 640-644,  
362/147, 404, 800, 806, 565, 551-555  
See application file for complete search history.

(56) **References Cited**

**U.S. PATENT DOCUMENTS**

3,431,410	A	3/1969	Dolan et al.	
D221,868	S	* 9/1971	Fairchild et al.	D26/27
3,609,343	A	9/1971	Howlett	
3,624,385	A	11/1971	Wall	
3,727,044	A	* 4/1973	Monroy	362/554
3,803,398	A	4/1974	Walker	
3,989,493	A	11/1976	Barron et al.	
4,034,215	A	7/1977	Hashimoto	
4,060,722	A	11/1977	Foley	
4,234,907	A	11/1980	Daniel	
5,865,533	A	* 2/1999	Liu	362/583
6,404,973	B1	* 6/2002	Lee	362/565
D463,588	S	* 9/2002	Chao	D26/27

**FOREIGN PATENT DOCUMENTS**

WO WO 00/61991 10/2000

**OTHER PUBLICATIONS**

Fiber Optic Night Light, item #C5552 from Harriet Carter. Found online at harrietcarter.com on Jan. 13, 2006.\*  
Fiber Optic Night Light posted at bookofjoe.com on Aug. 17, 2005. Found through picsearch.com search for "fiber optic night light" on Jan. 13, 2006.\*

\* cited by examiner

*Primary Examiner*—Clare E Heflin

(74) *Attorney, Agent, or Firm*—Patterson, Thunte, Skaar & Christensen, P.A.

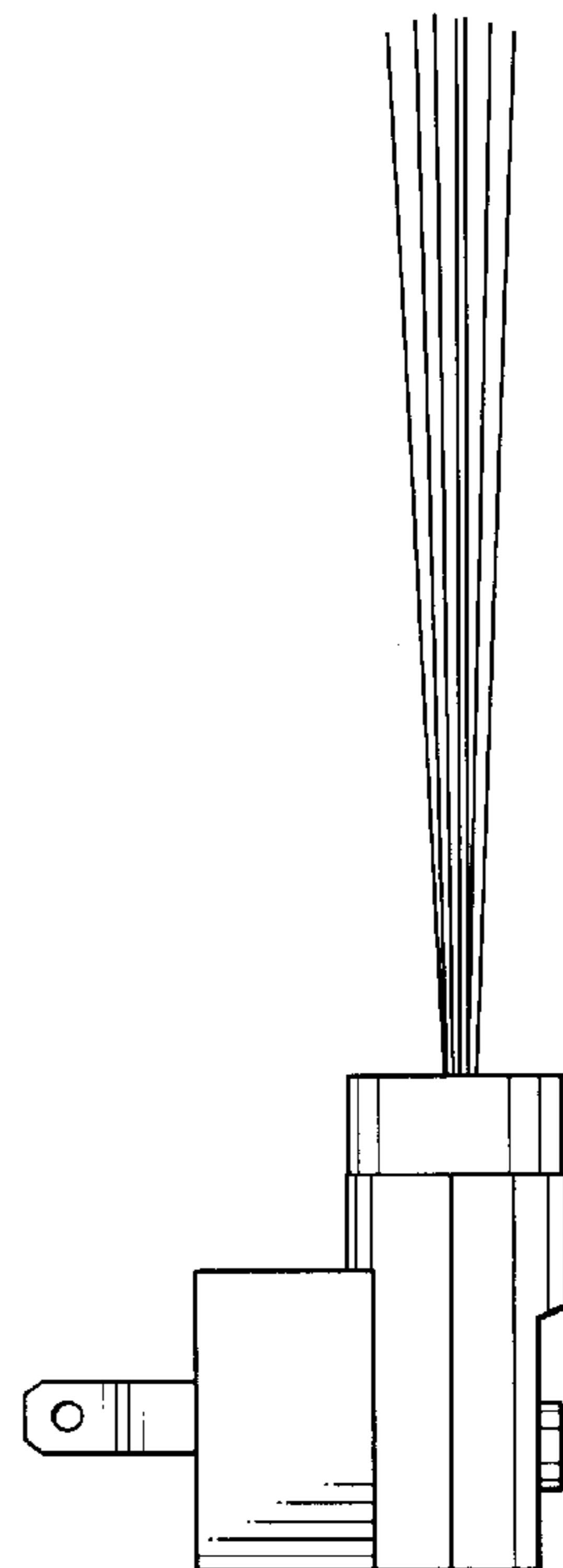
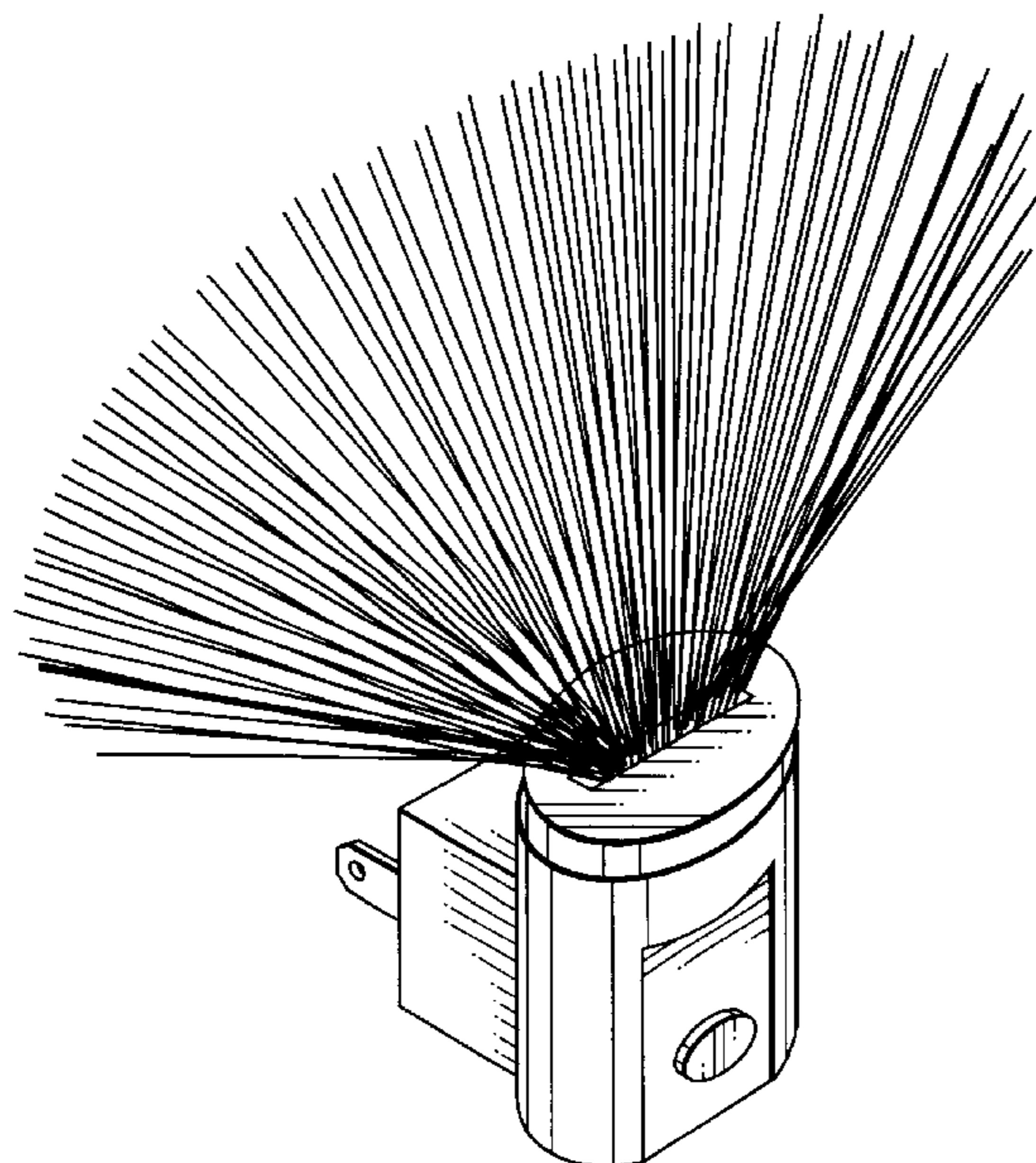
(57) **CLAIM**

I claim the ornamental design for a fiber optic night light, as shown.

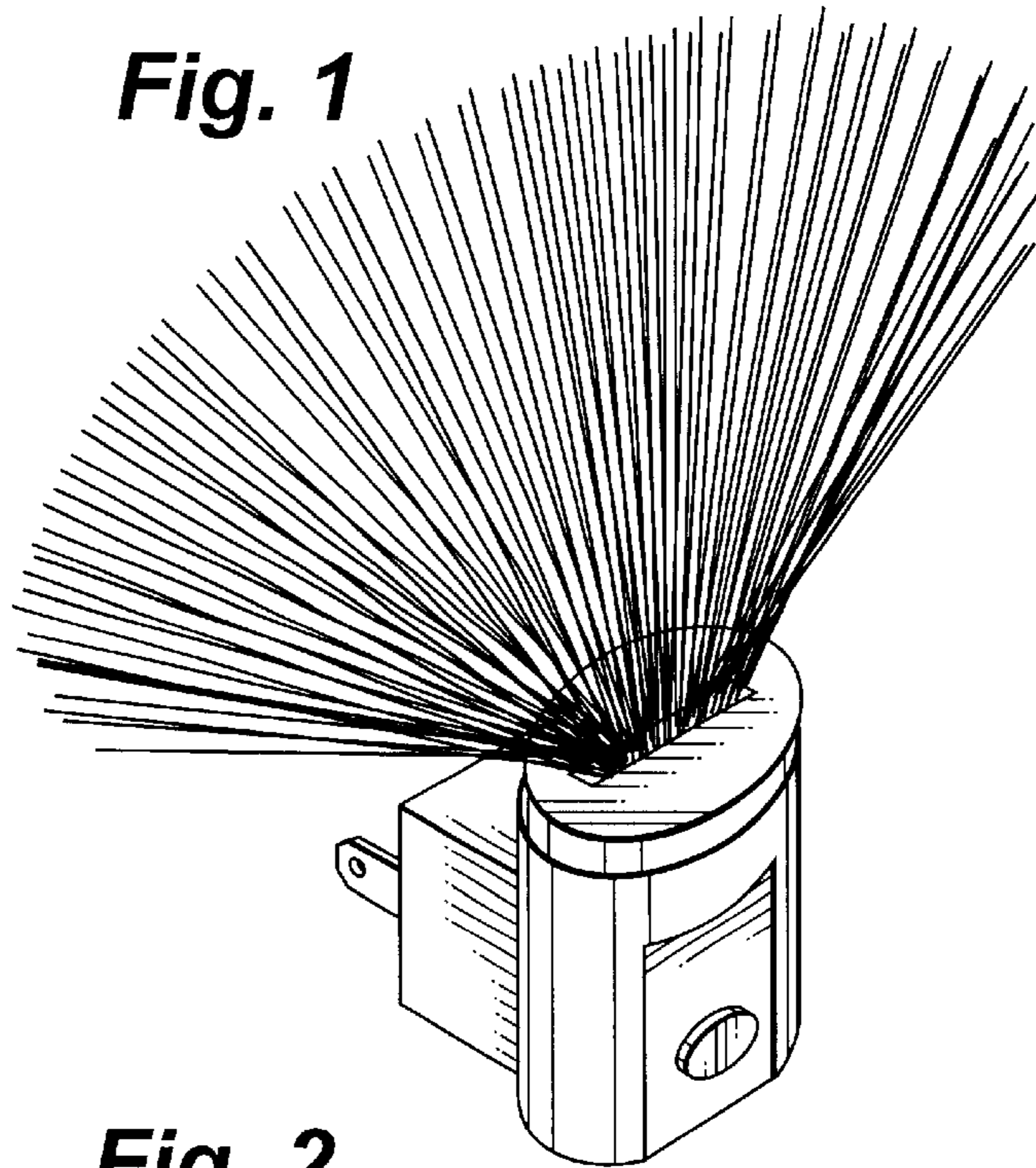
**DESCRIPTION**

FIG. 1 is a perspective view of a fiber optic night light showing the invention;  
FIG. 2 is a front elevation of a fiber optic night light showing the invention;  
FIG. 3 is a rear elevation view of a fiber optic night light according to an embodiment of the invention;  
FIG. 4 is an elevation of a first side of a fiber optic night light showing the invention;  
FIG. 5 is a top plan view of a fiber optic night light showing the invention; and,  
FIG. 6 is a bottom plan view of a fiber optic night light showing the invention.

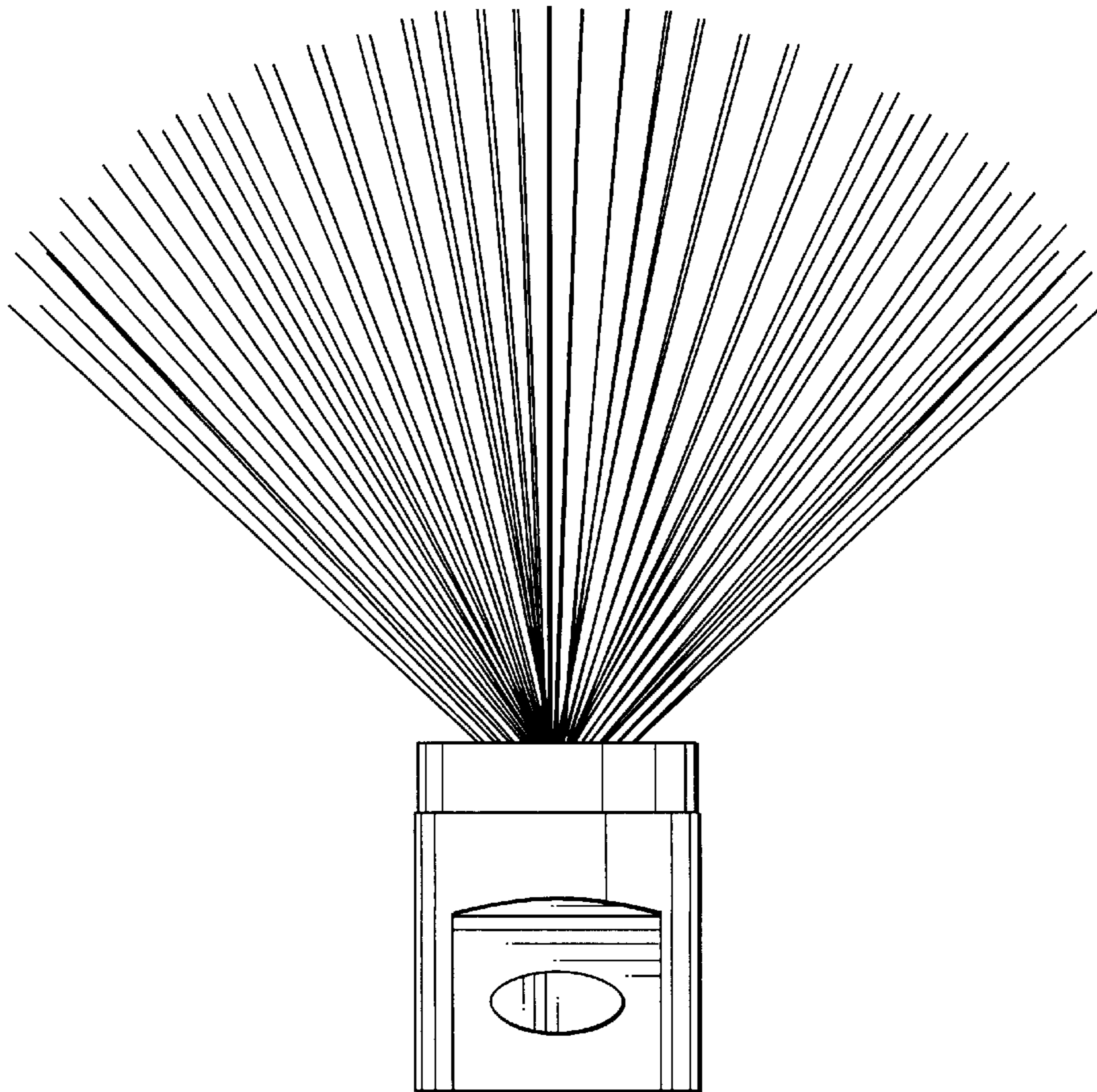
**1 Claim, 3 Drawing Sheets**



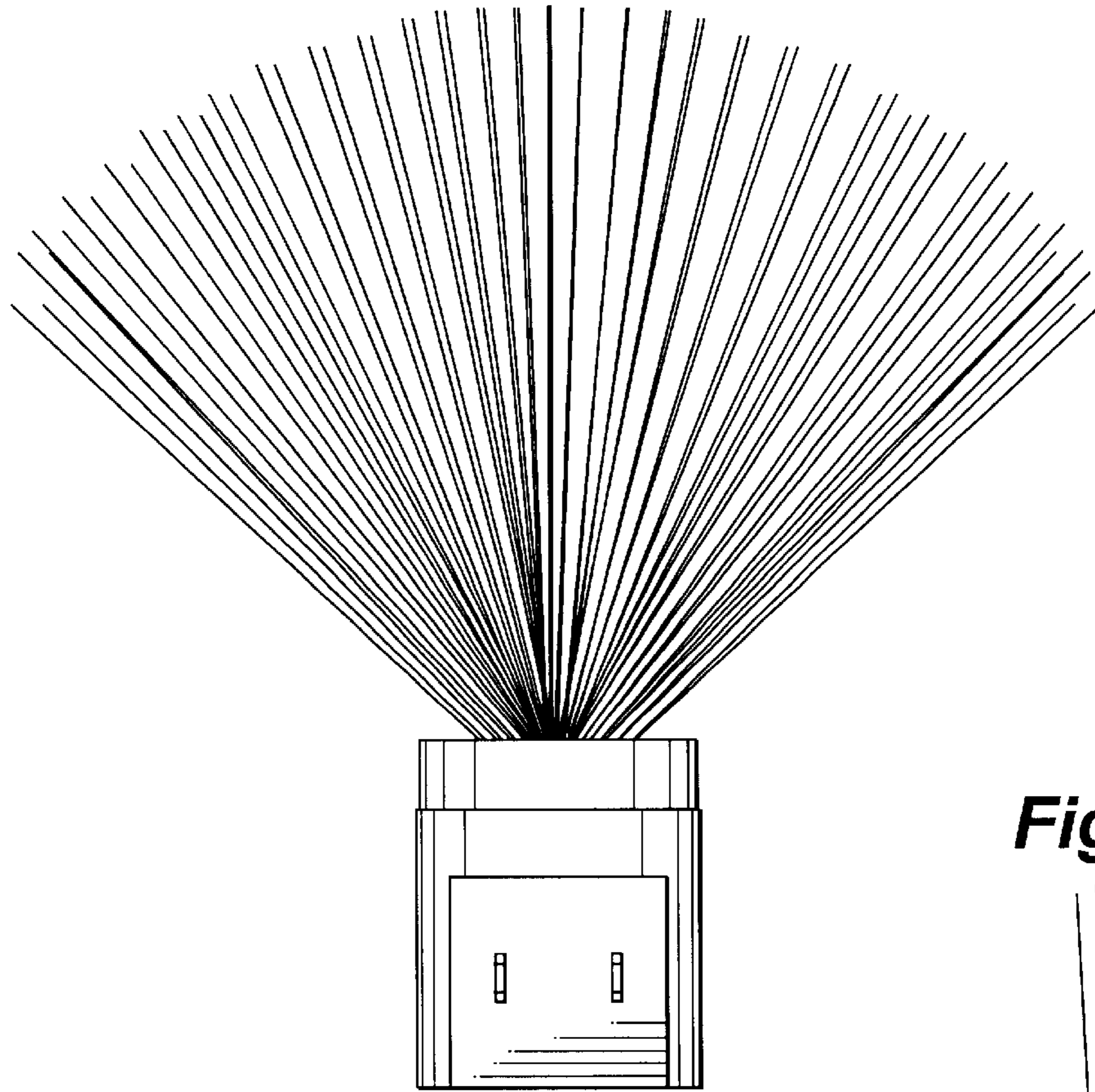
**Fig. 1**



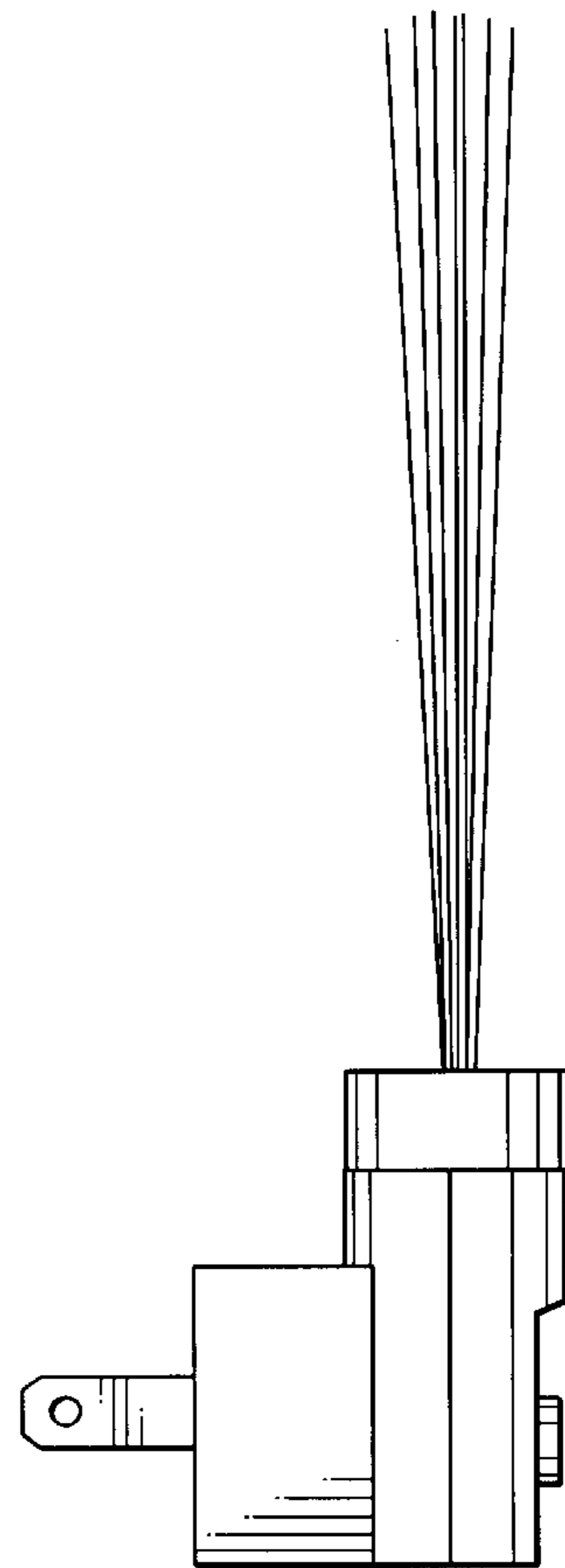
**Fig. 2**



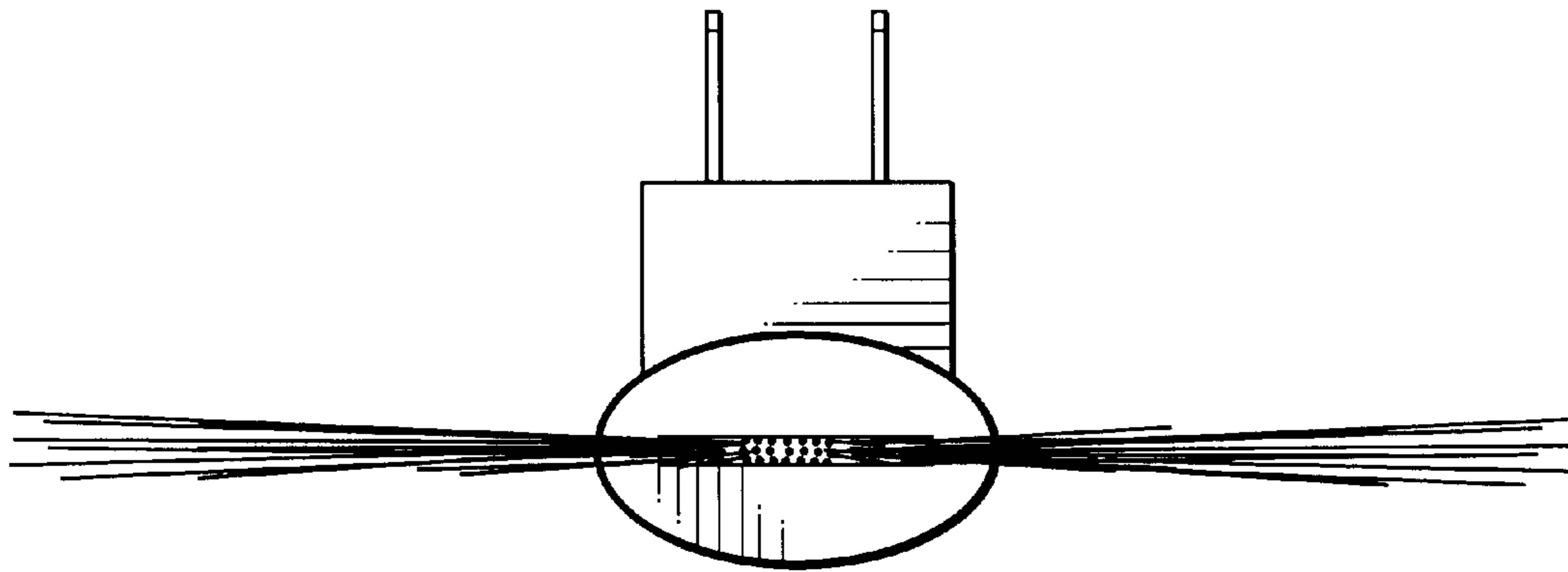
**Fig. 3**



**Fig. 4**



**Fig. 5**



**Fig. 6**

