



US00D523973S

(12) **United States Design Patent**
Brady

(10) **Patent No.:** **US D523,973 S**
(45) **Date of Patent:** **** Jun. 27, 2006**

(54) **ROCKET NIGHT LIGHT**

(75) Inventor: **Floyd William Brady**, Soquel, CA
(US)

(73) Assignee: **Salamander Graphix, Inc.**,
Watsonville, CA (US)

(**) Term: **14 Years**

(21) Appl. No.: **29/225,910**

(22) Filed: **Mar. 21, 2005**

(51) **LOC (8) Cl.** **26-05**

(52) **U.S. Cl.** **D26/26; D26/73**

(58) **Field of Classification Search** D26/26,
D26/73, 94, 125, 127, 97; 362/95, 653, 640-644,
362/147, 404, 800, 806

See application file for complete search history.

(56) **References Cited**

U.S. PATENT DOCUMENTS

D243,878 S	*	3/1977	Kaprinyak	D26/97
D252,169 S	*	6/1979	Lacko, Sr.	D26/97
D401,003 S	*	11/1998	Cheung	D26/97
D438,329 S	*	2/2001	Diviak, Sr.	D26/94
6,309,084 B1	*	10/2001	Lin	362/101
D488,581 S	*	4/2004	Shieh	D26/94
D495,818 S	*	9/2004	Shieh	D26/94

D499,821 S	*	12/2004	Lee	D26/26
D510,639 S	*	10/2005	Brady	D26/118
D511,015 S	*	10/2005	Brady	D26/26
2004/0257806 A1	*	12/2004	Wu	362/242

OTHER PUBLICATIONS

Glitter Night Light, Item #B0007RM13A from amazon.com.
Found online Jan. 13, 2006.*

* cited by examiner

Primary Examiner—Clare E Heflin

(74) *Attorney, Agent, or Firm*—Townsend and Townsend
and Crew LLP

(57) **CLAIM**

The ornamental design for a rocket night light, as shown and
described.

DESCRIPTION

FIG. 1 is a perspective view of a rocket night light showing
my new design;

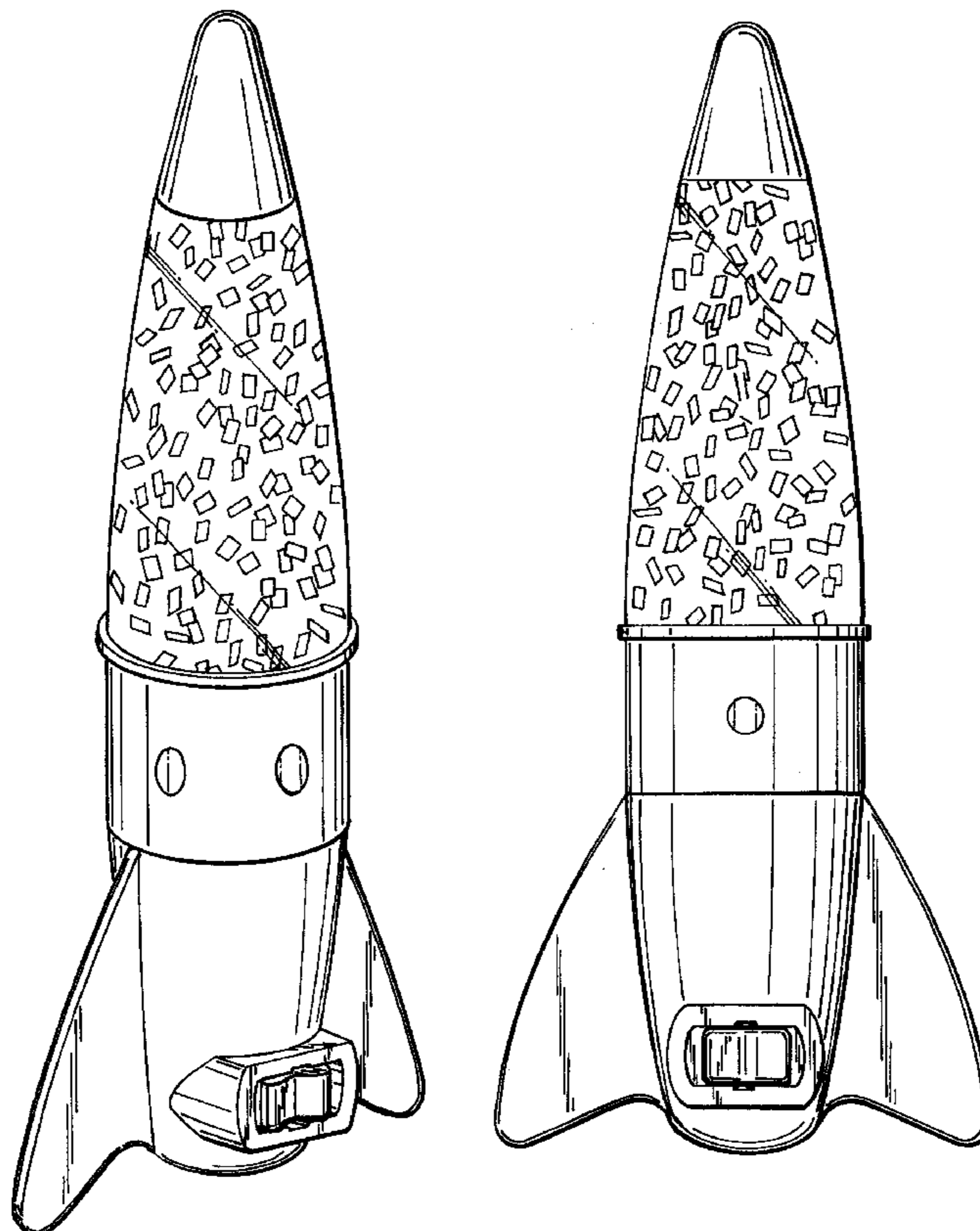
FIG. 2 is a front elevational view thereof;

FIG. 3 is a right side elevational view, the left side eleva-
tional view being a mirror image thereof;

FIG. 4 is a top plan view thereof; and,

FIG. 5 is a bottom plan view thereof.

1 Claim, 2 Drawing Sheets



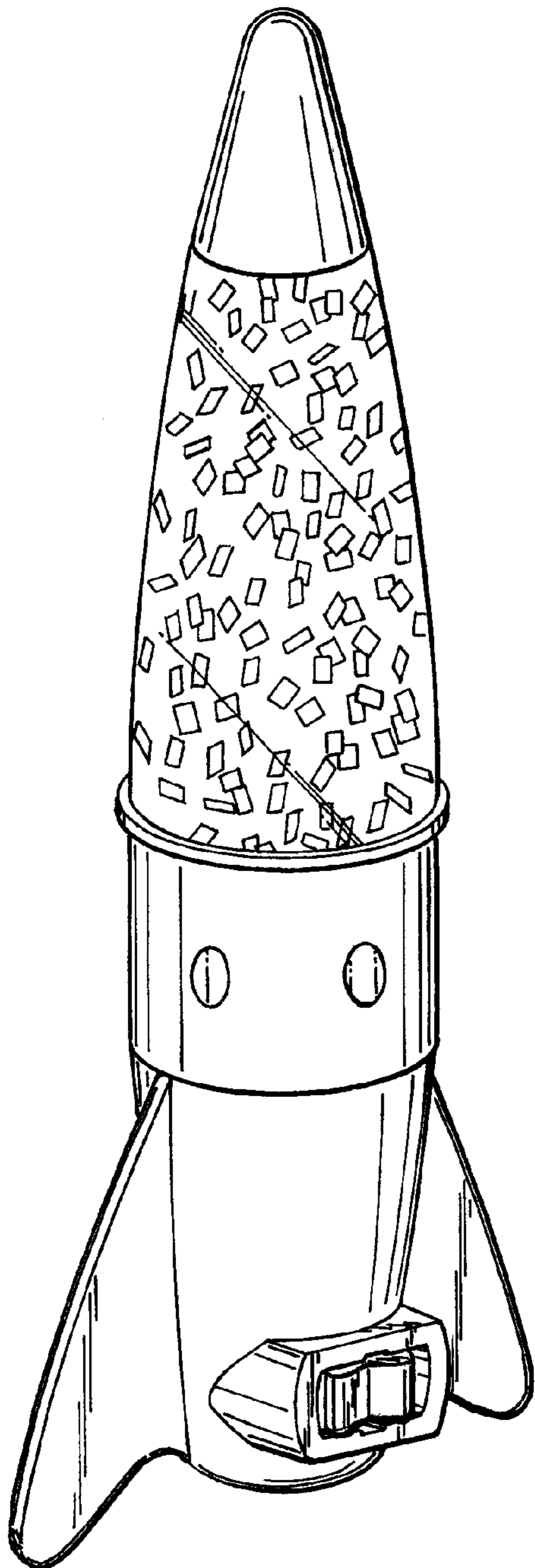


FIG. 1

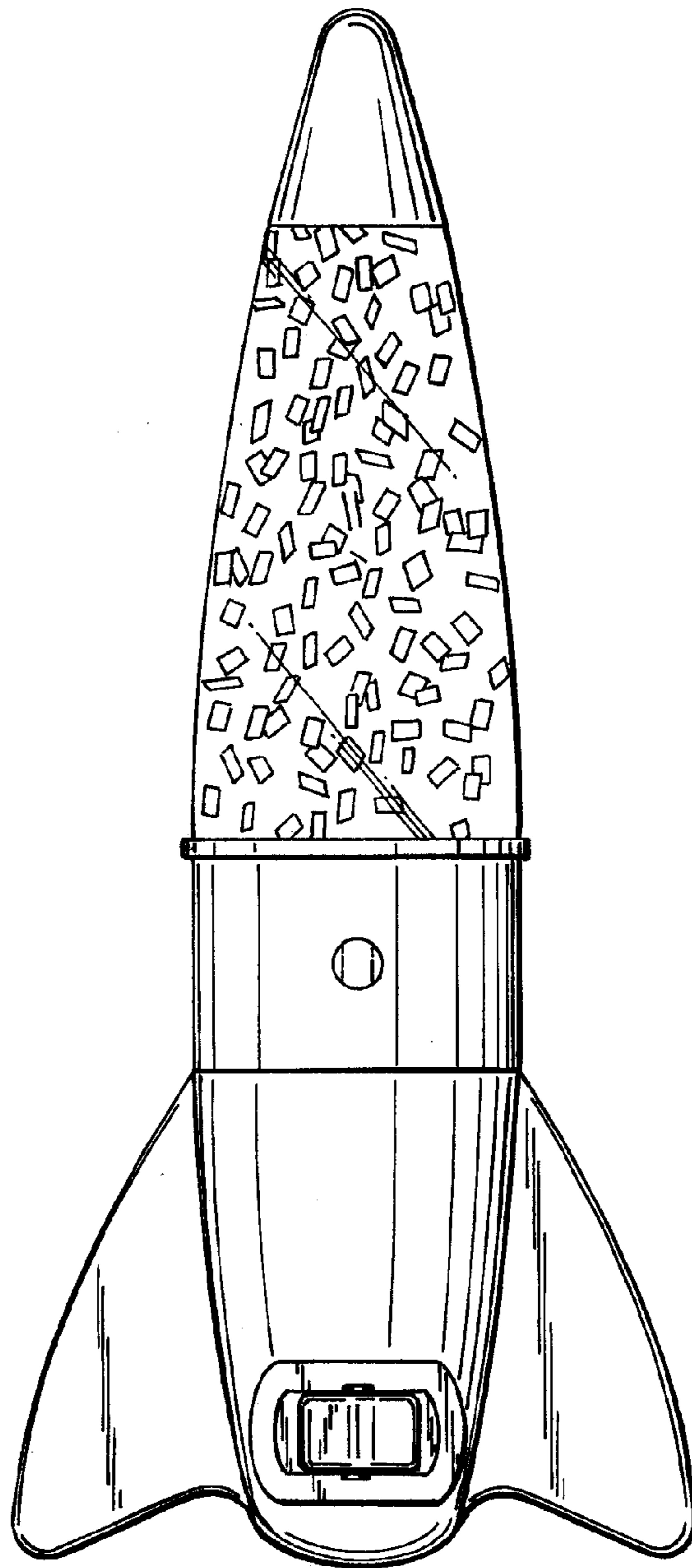


FIG. 2

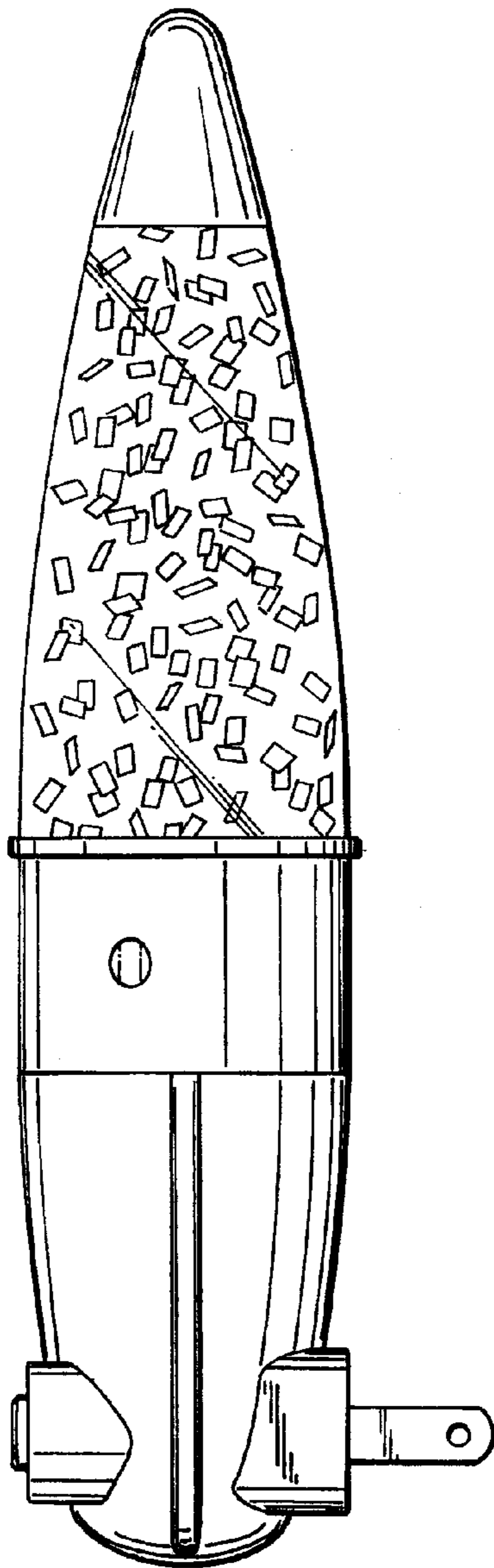


FIG. 3

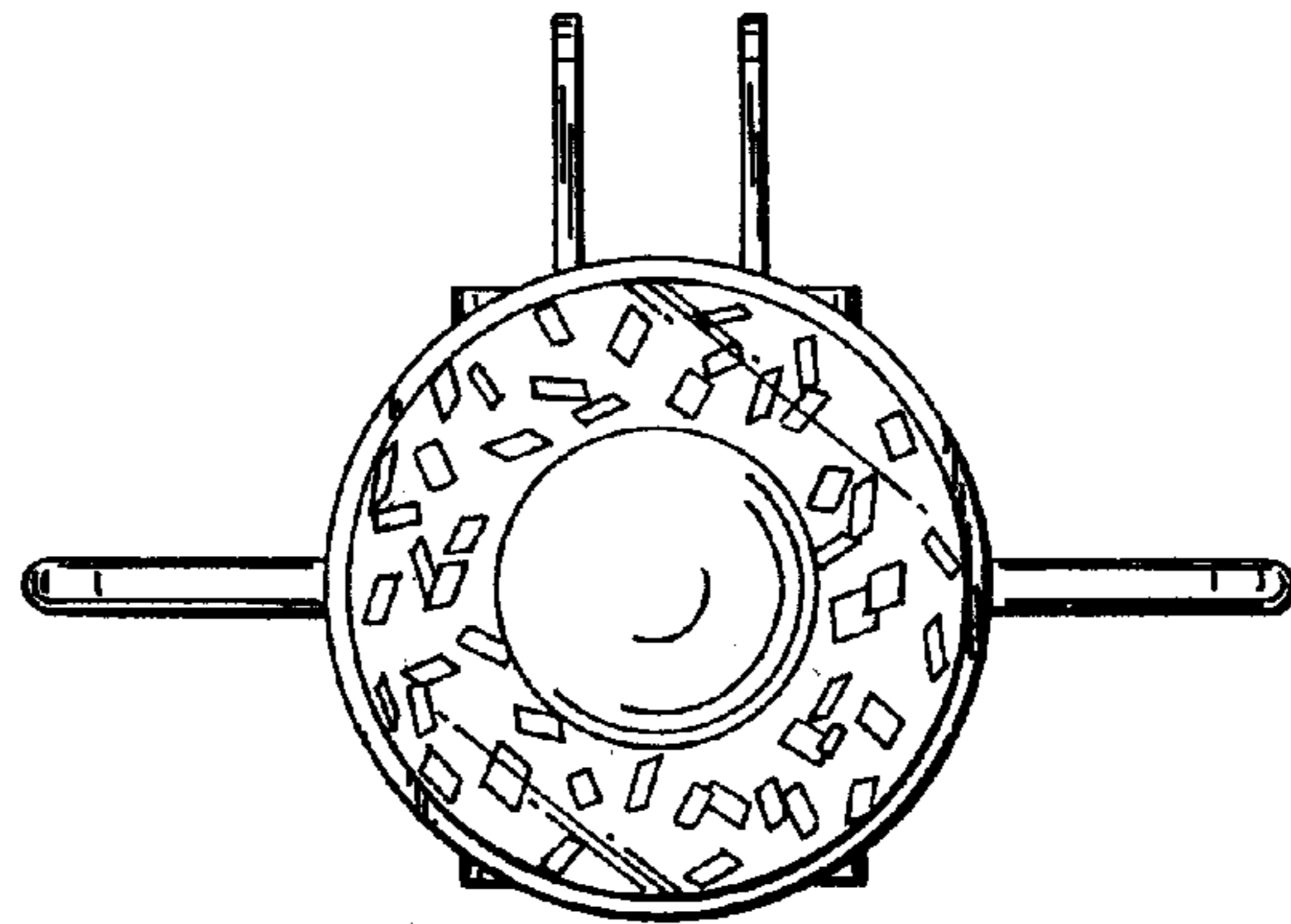


FIG. 4

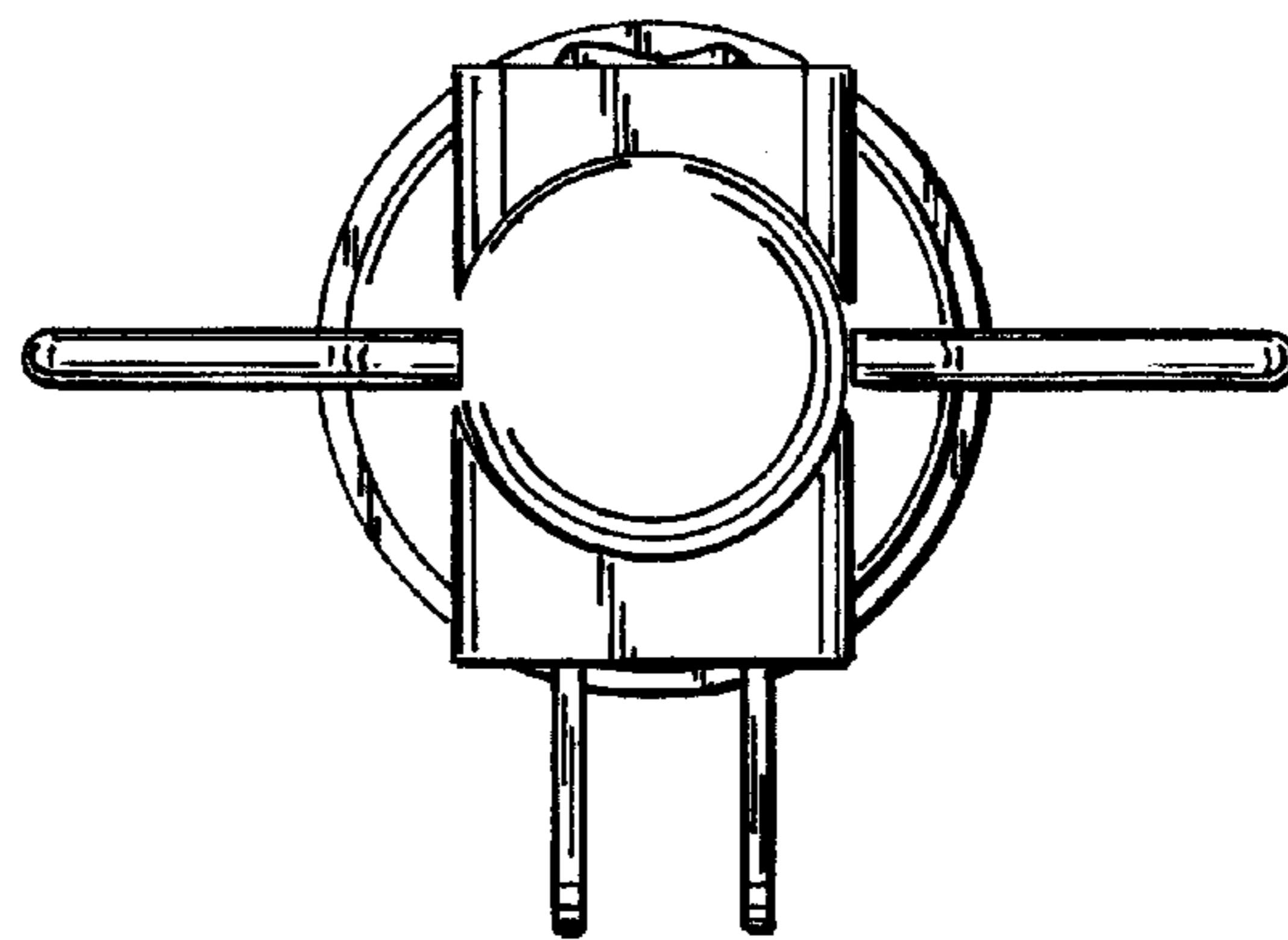


FIG. 5