



US00D523972S

(12) **United States Design Patent**
Chan

(10) **Patent No.:** **US D523,972 S**

(45) **Date of Patent:** **** Jun. 27, 2006**

(54) **LED NIGHT LIGHT**

(75) **Inventor:** **Wynsie Marie Chan**, Pasadena, CA
(US)

(73) **Assignee:** **Doncorp USA, Inc.**, Monterey Park,
CA (US)

(**) **Term:** **14 Years**

(21) **Appl. No.:** **29/201,117**

(22) **Filed:** **Mar. 11, 2004**

(51) **LOC (8) Cl.** **26-05**

(52) **U.S. Cl.** **D26/26**

(58) **Field of Classification Search** D26/26,
D26/73, 94, 125, 127; 362/95, 653, 640-644,
362/147, 404, 800, 806

See application file for complete search history.

(56) **References Cited**

U.S. PATENT DOCUMENTS

D393,084 S * 3/1998 Hergert D26/26

D447,550 S * 9/2001 Basaganas D23/366

D455,507 S * 4/2002 Liu et al. D26/26

D465,859 S * 11/2002 Lo D26/26

D468,033 S * 12/2002 Warren et al. D26/26

D476,428 S * 6/2003 Stekelenburg D26/26

* cited by examiner

Primary Examiner—Clare E Heflin

(74) *Attorney, Agent, or Firm*—Philip T. Virga

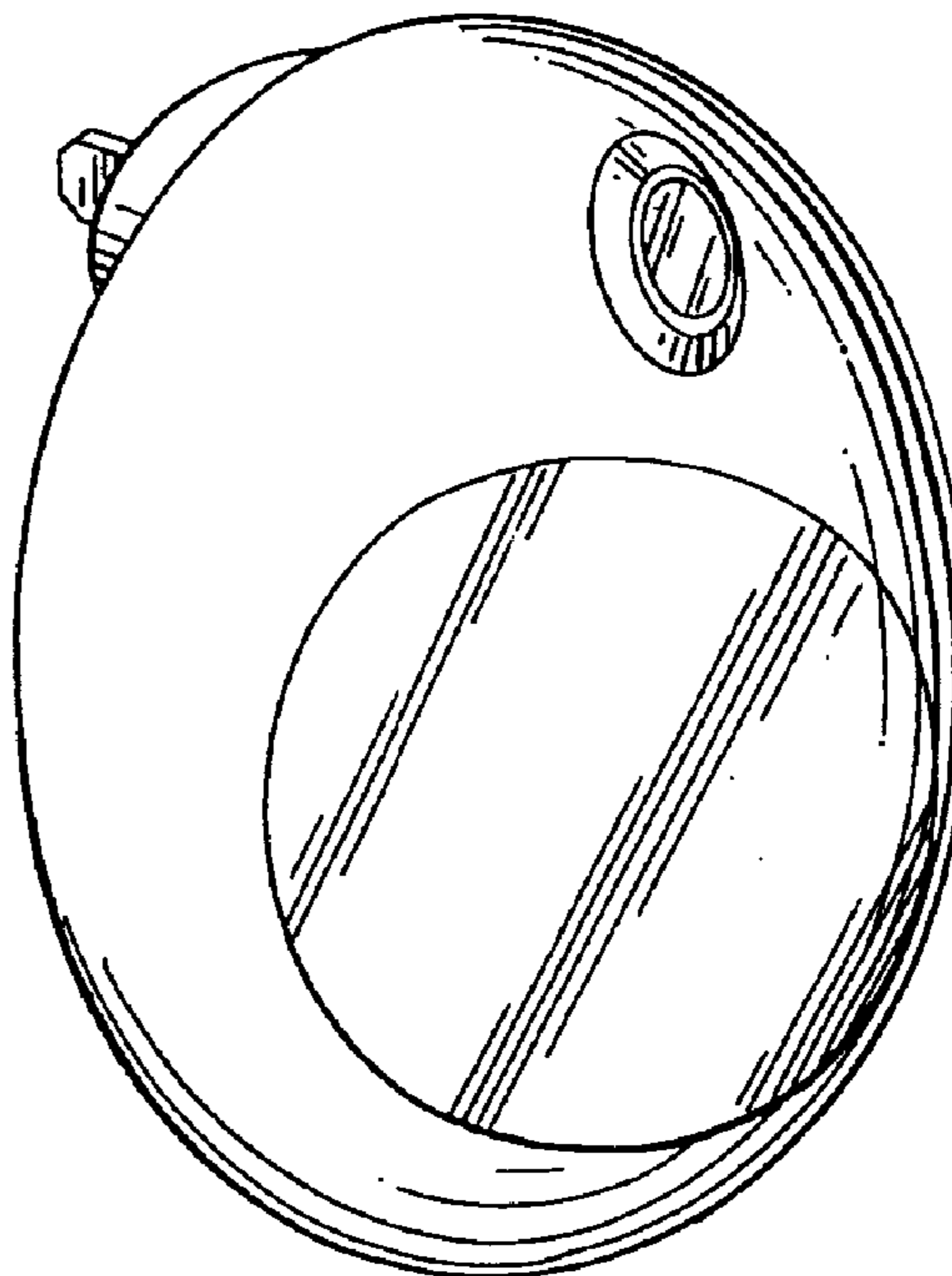
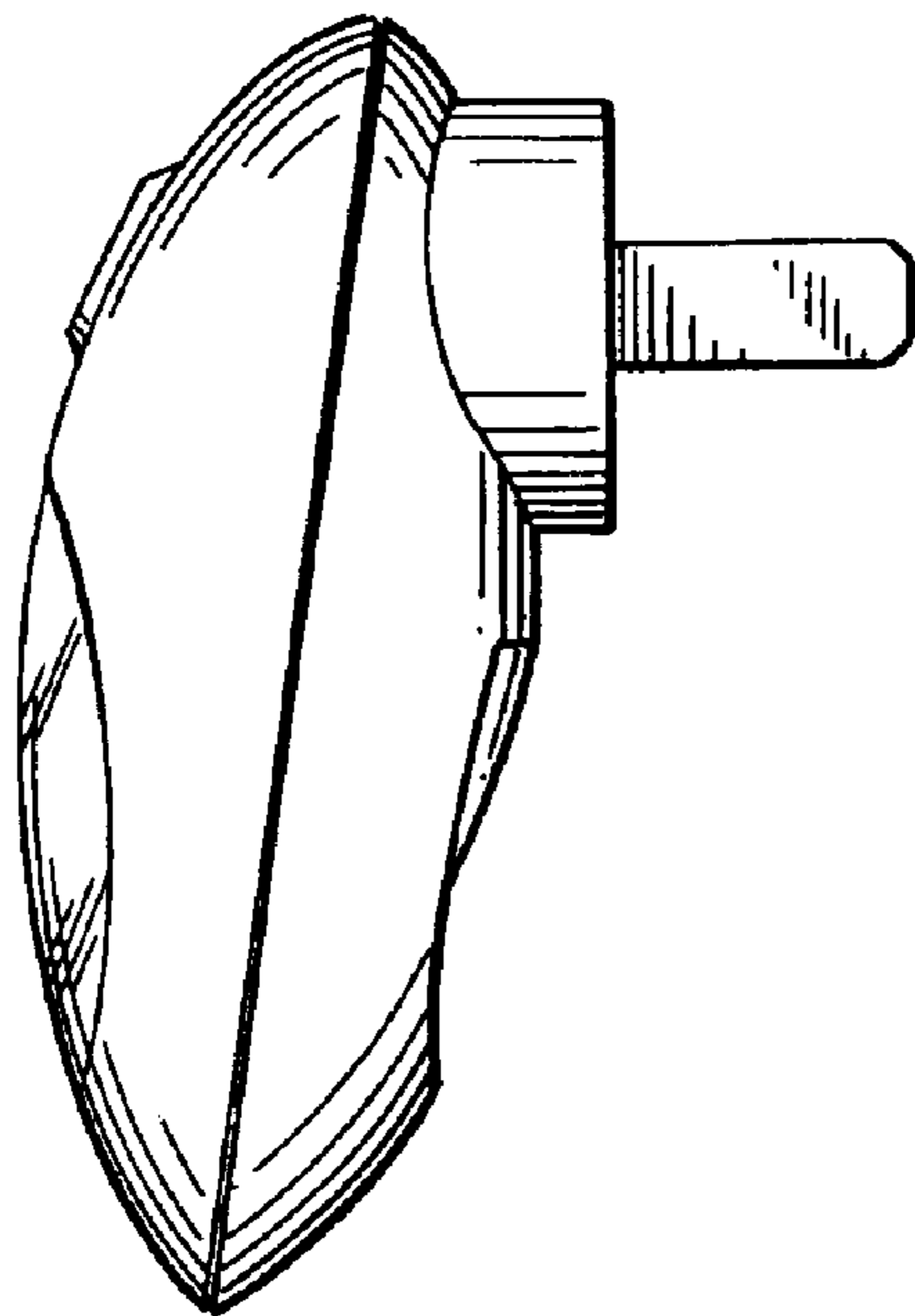
(57) **CLAIM**

The ornamental design for an LED night light, substantially as shown and described.

DESCRIPTION

FIG. 1 is a top plan view of an LED night light; FIG. 2 is a front elevational view of FIG. 1; FIGS. 3 and 4 are side elevational views thereof; FIG. 5 is a bottom plan view of FIG. 1; FIG. 6 is a rear elevational view of FIG. 1; and FIG. 7 is a perspective view of a LED night light.

1 Claim, 2 Drawing Sheets



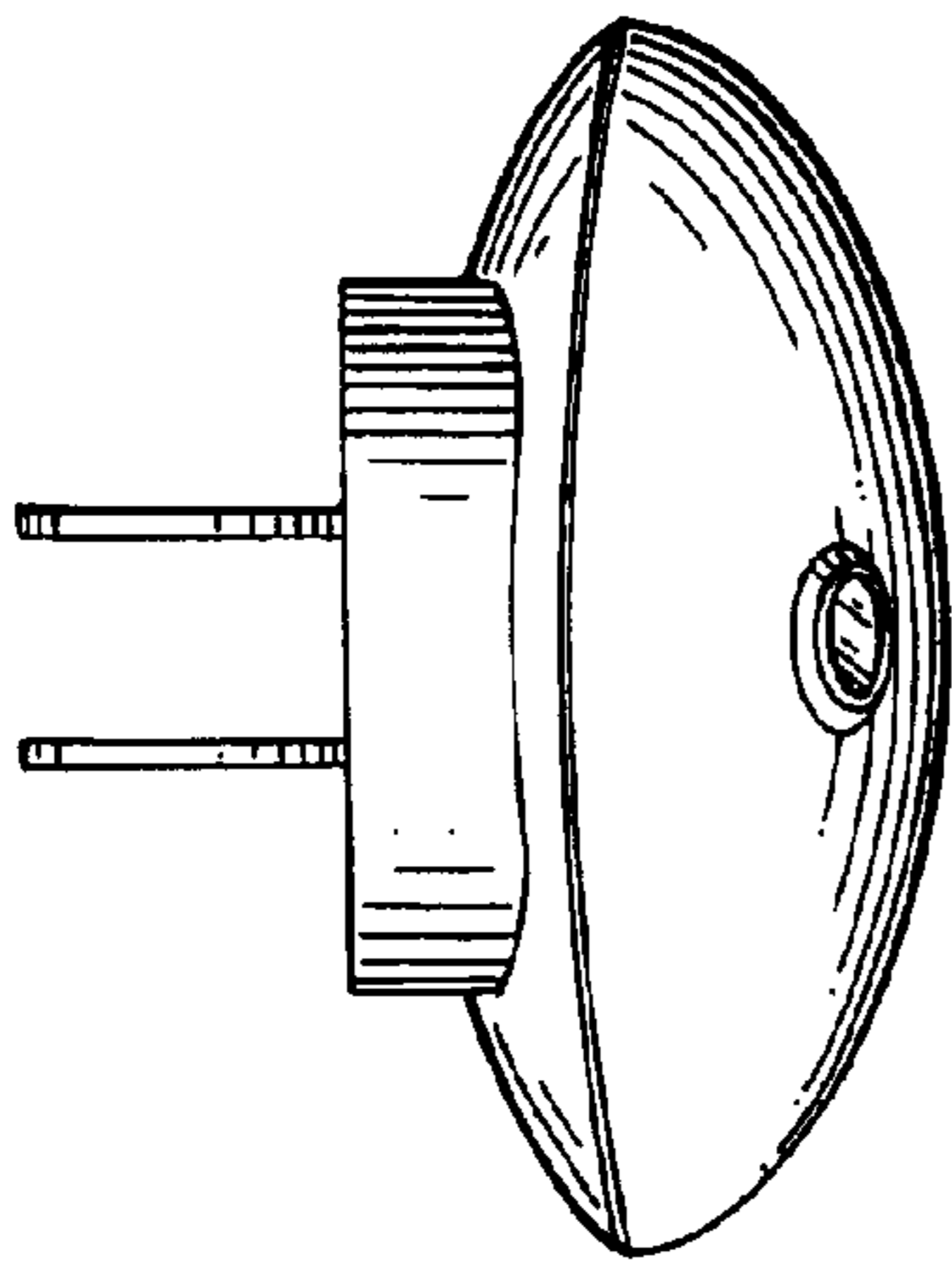


FIG. 1

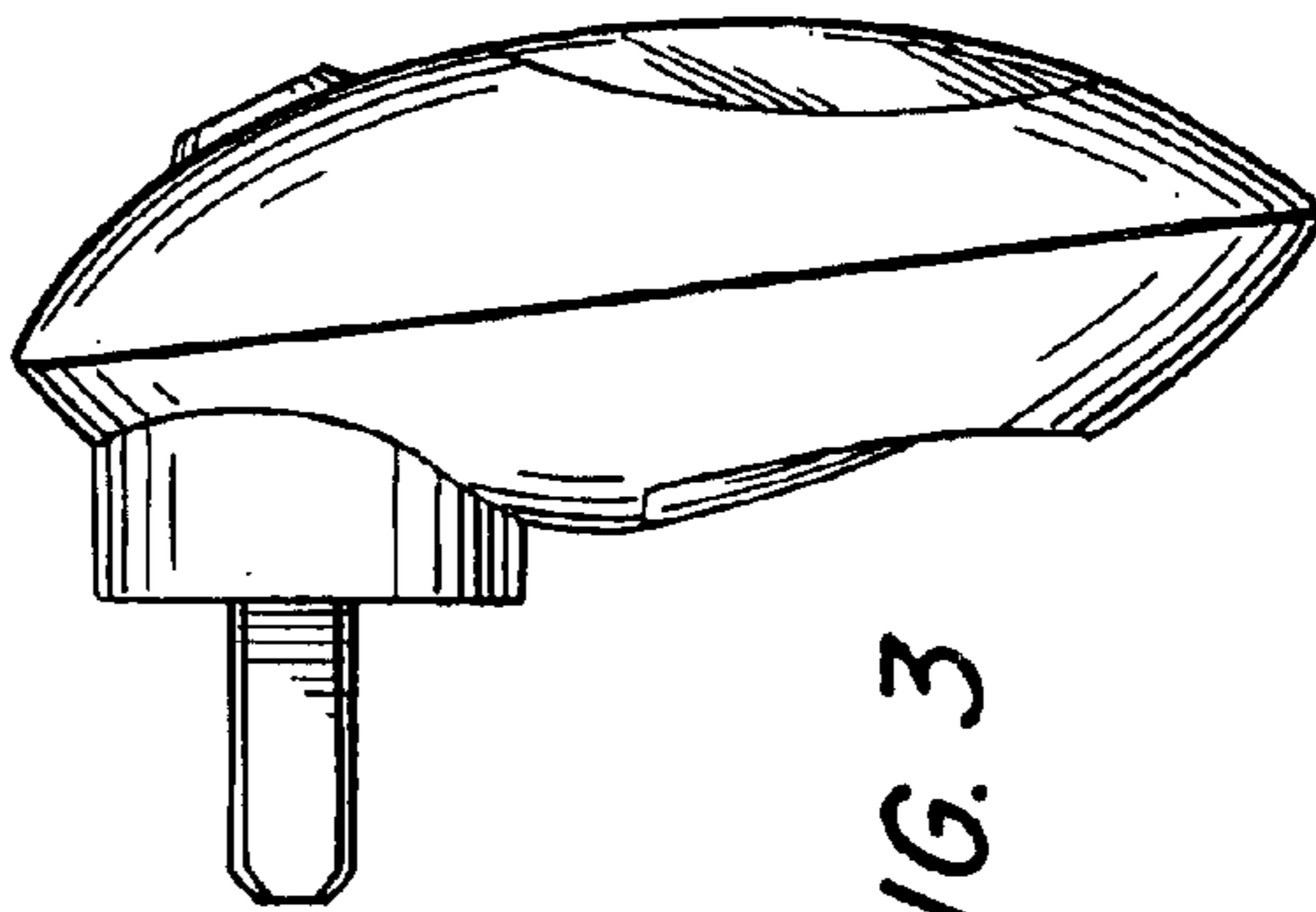


FIG. 3

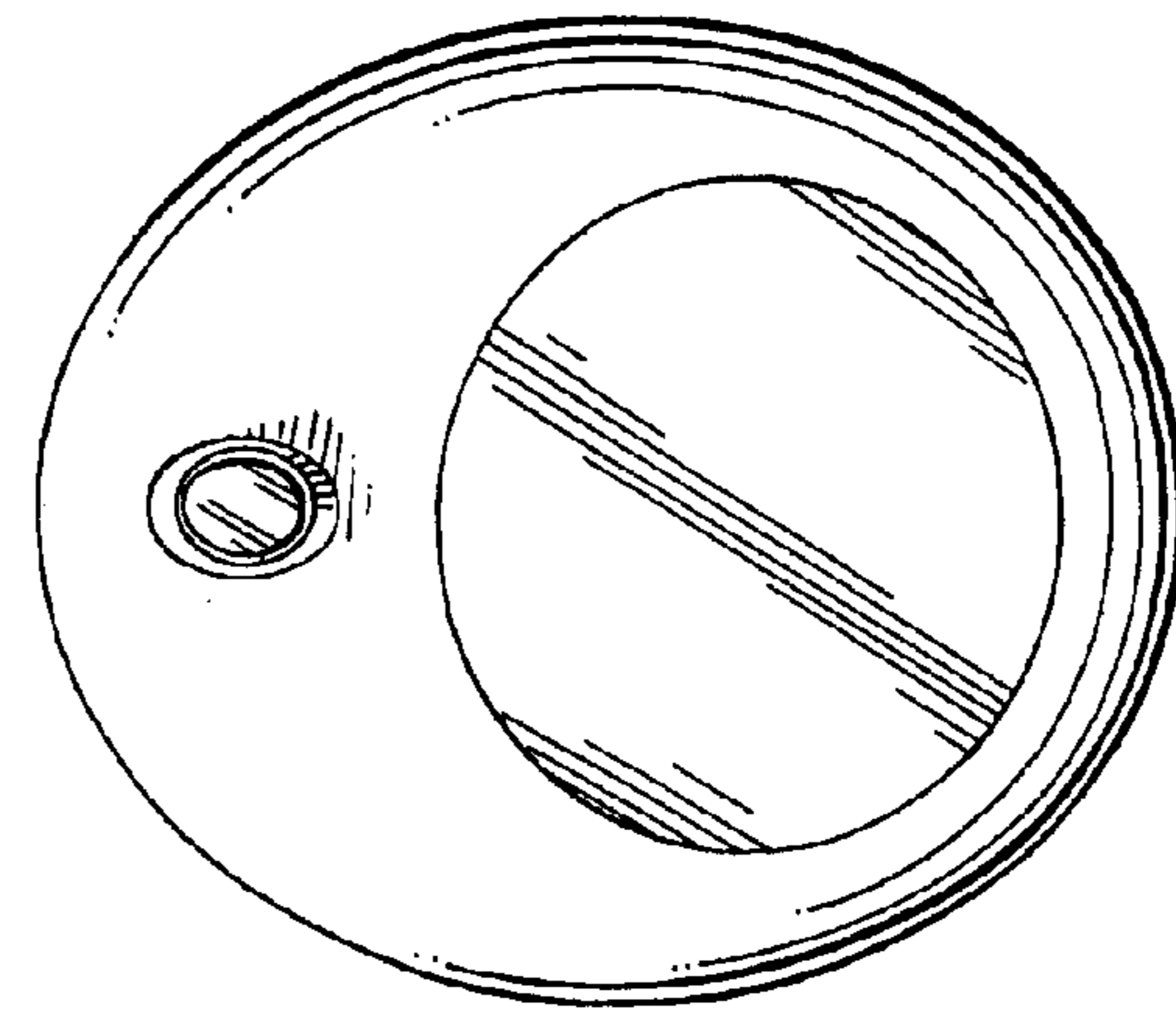


FIG. 2

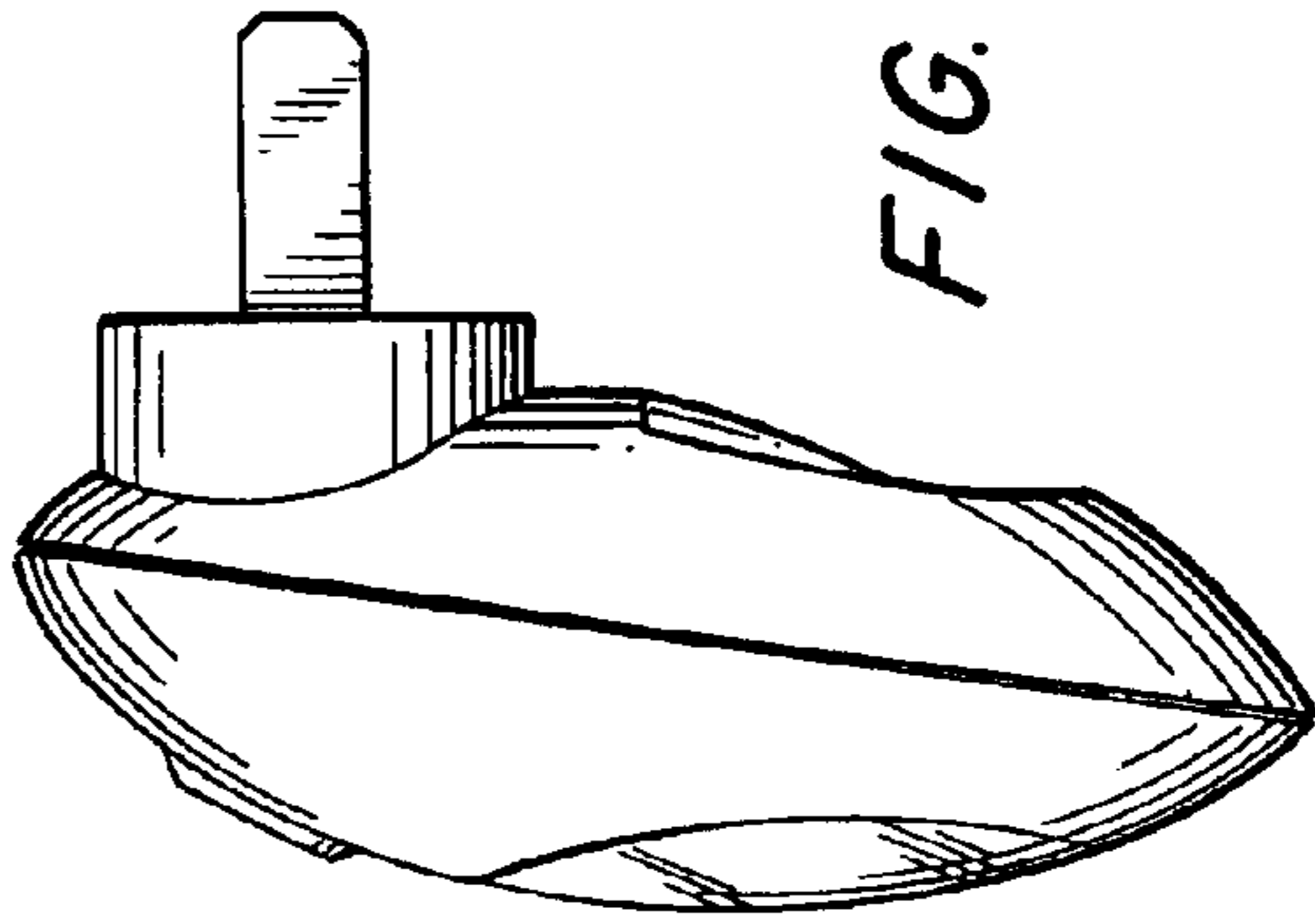


FIG. 4

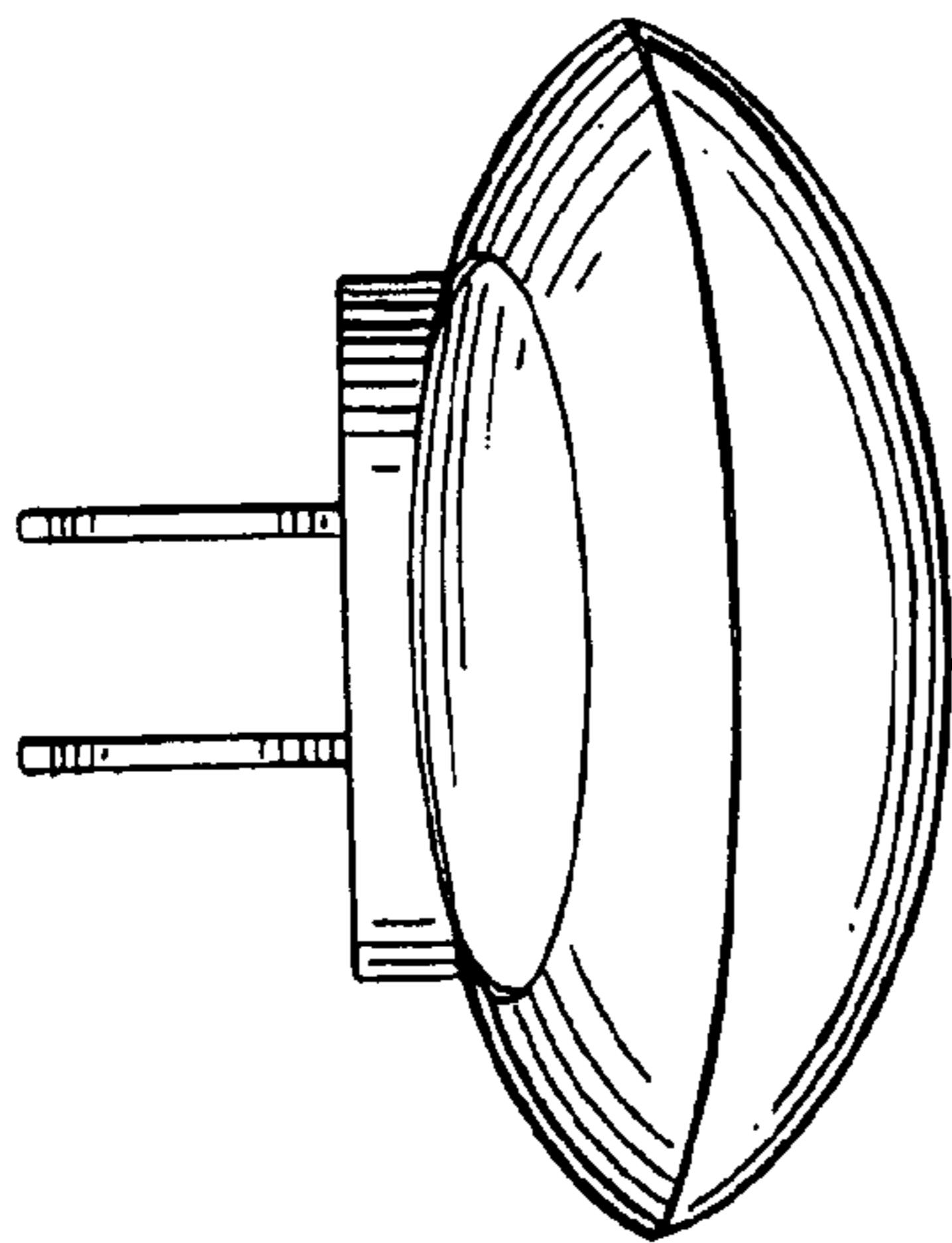


FIG. 5

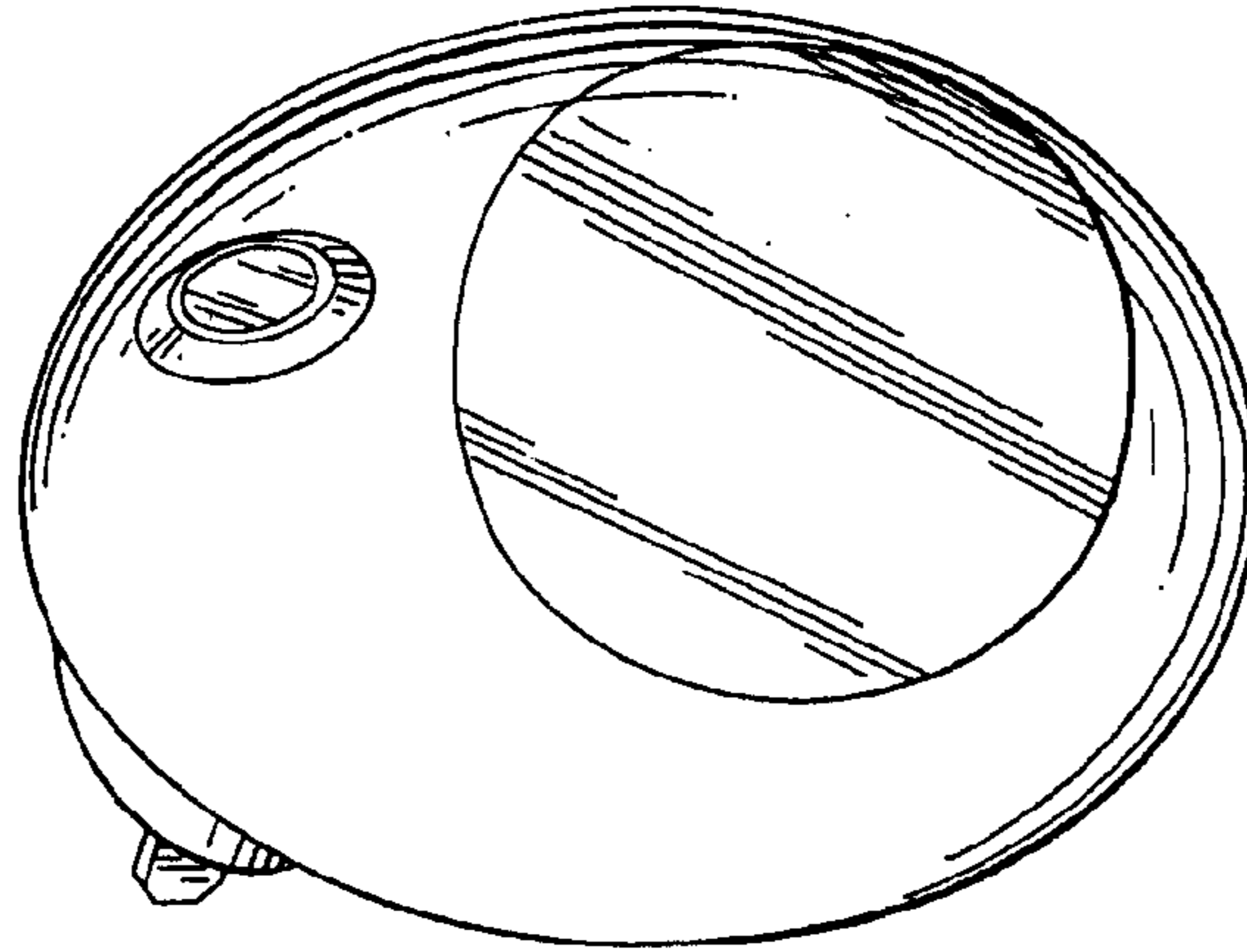


FIG. 7

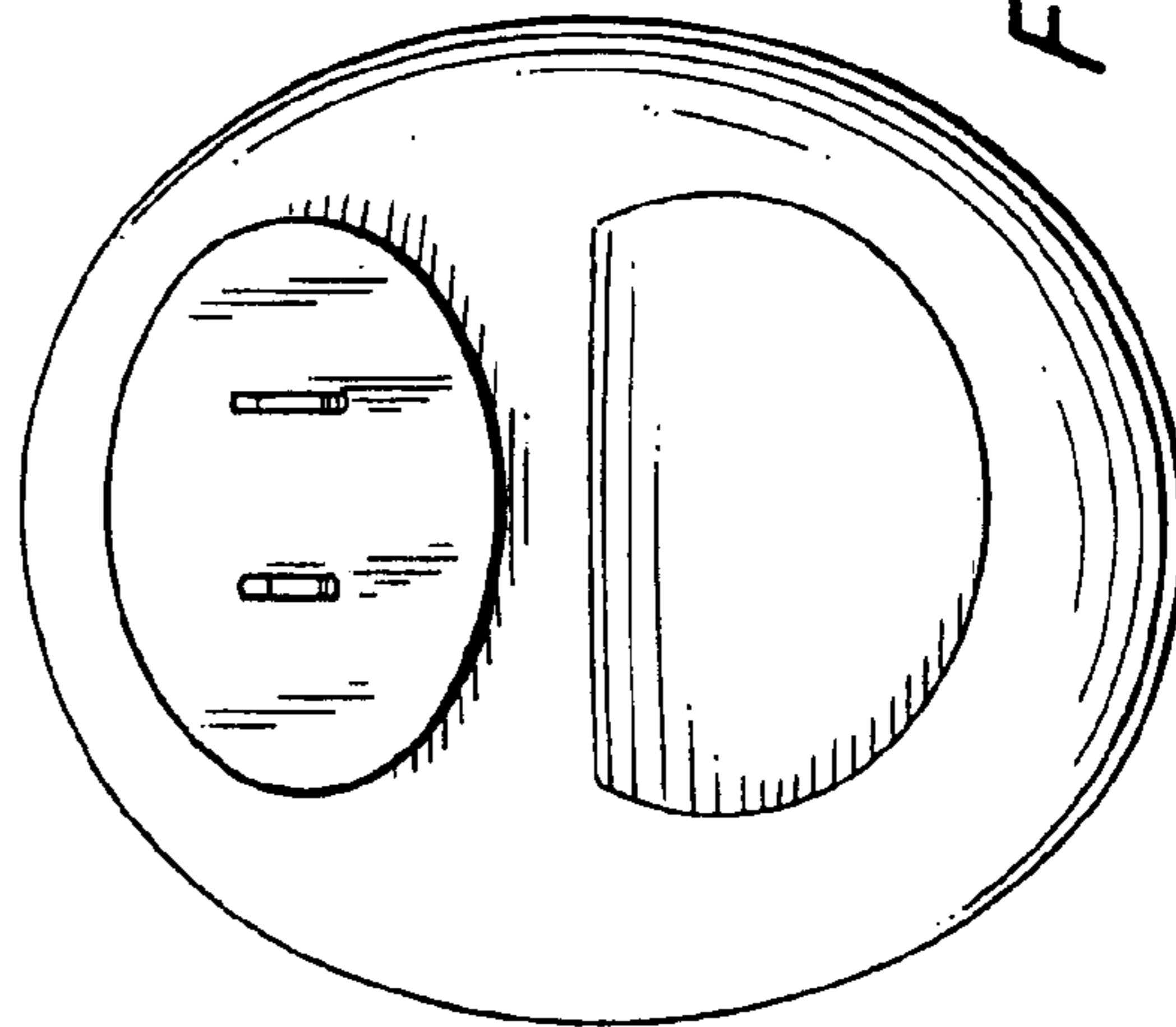


FIG. 6