

US00D523970S

(12) **United States Design Patent**
Lapp, Jr. et al.

(10) **Patent No.:** **US D523,970 S**
(45) **Date of Patent:** **** Jun. 27, 2006**

(54) **WATERTIGHT DECKING PANEL**

6,415,562 B1 * 7/2002 Donaghue et al. 52/177

(76) Inventors: **John K. Lapp, Jr.**, 622 North Shirk Rd., New Holland, PA (US) 17557;
Reuben B. Lapp, 205 Linden Grove Rd., New Holland, PA (US) 17557

* cited by examiner

Primary Examiner—Doris Clark

(74) *Attorney, Agent, or Firm*—William B. Noll

(**) Term: **14 Years**

(57) **CLAIM**

We claim the ornamental design for a watertight decking panel, as shown and described.

(21) Appl. No.: **29/188,337**

DESCRIPTION

(22) Filed: **Aug. 18, 2003**

(51) **LOC (8) Cl.** **25-01**

FIG. 1 is a perspective view of the watertight decking panel according to the design of this invention, where the upper surface shows a simulated wood grain.

(52) **U.S. Cl.** **D25/138**

FIG. 2 is an end view thereof;

(58) **Field of Classification Search** D25/138;
52/182, 190, 177, 179

FIG. 3 is an end view thereof showing the opposite end;

See application file for complete search history.

FIG. 4 is a top view thereof;

FIG. 5 is a bottom view thereof;

(56) **References Cited**

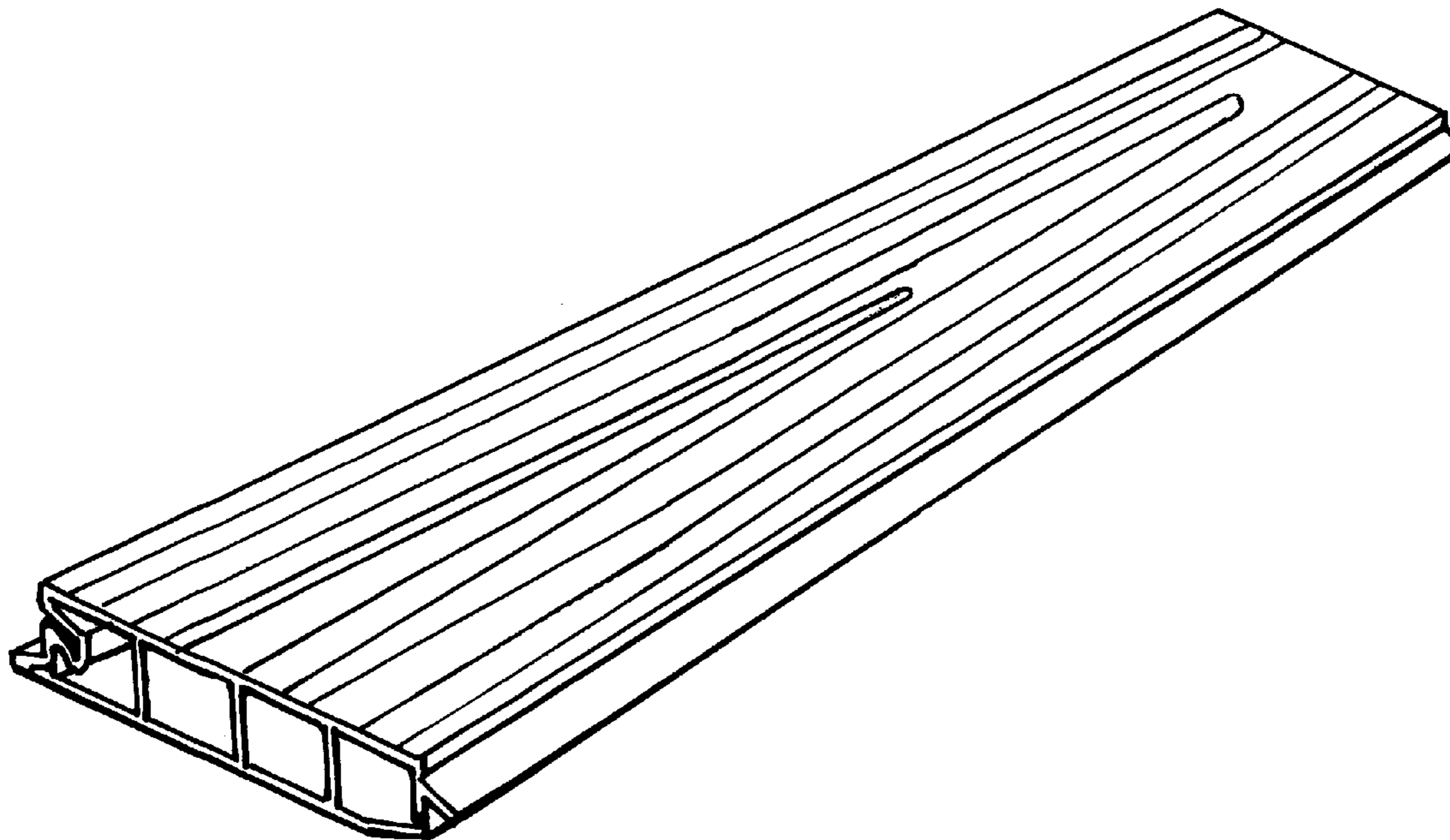
U.S. PATENT DOCUMENTS

FIG. 6 is a lateral side view; and,

FIG. 7 is a lateral side view of the opposite side.

D418,926 S * 1/2000 Owens et al. D25/138

1 Claim, 2 Drawing Sheets



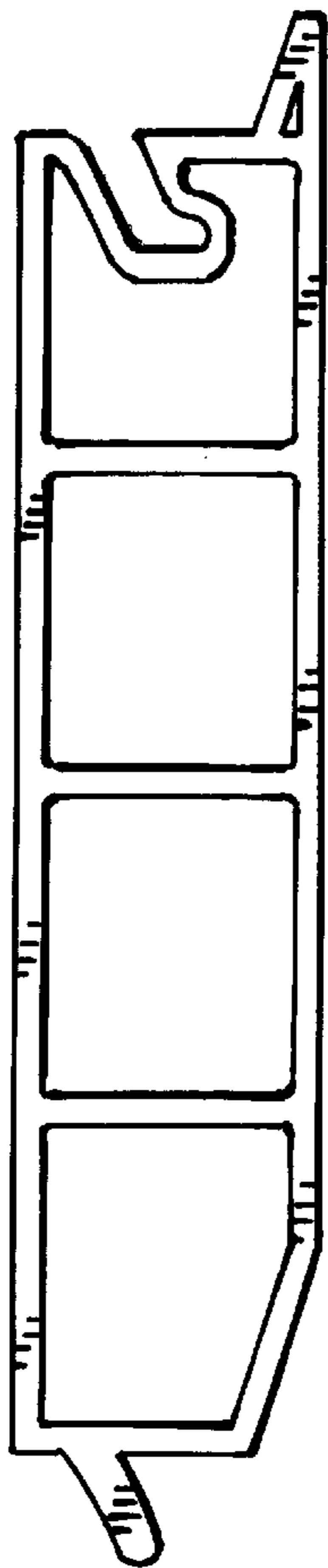


FIG. 3

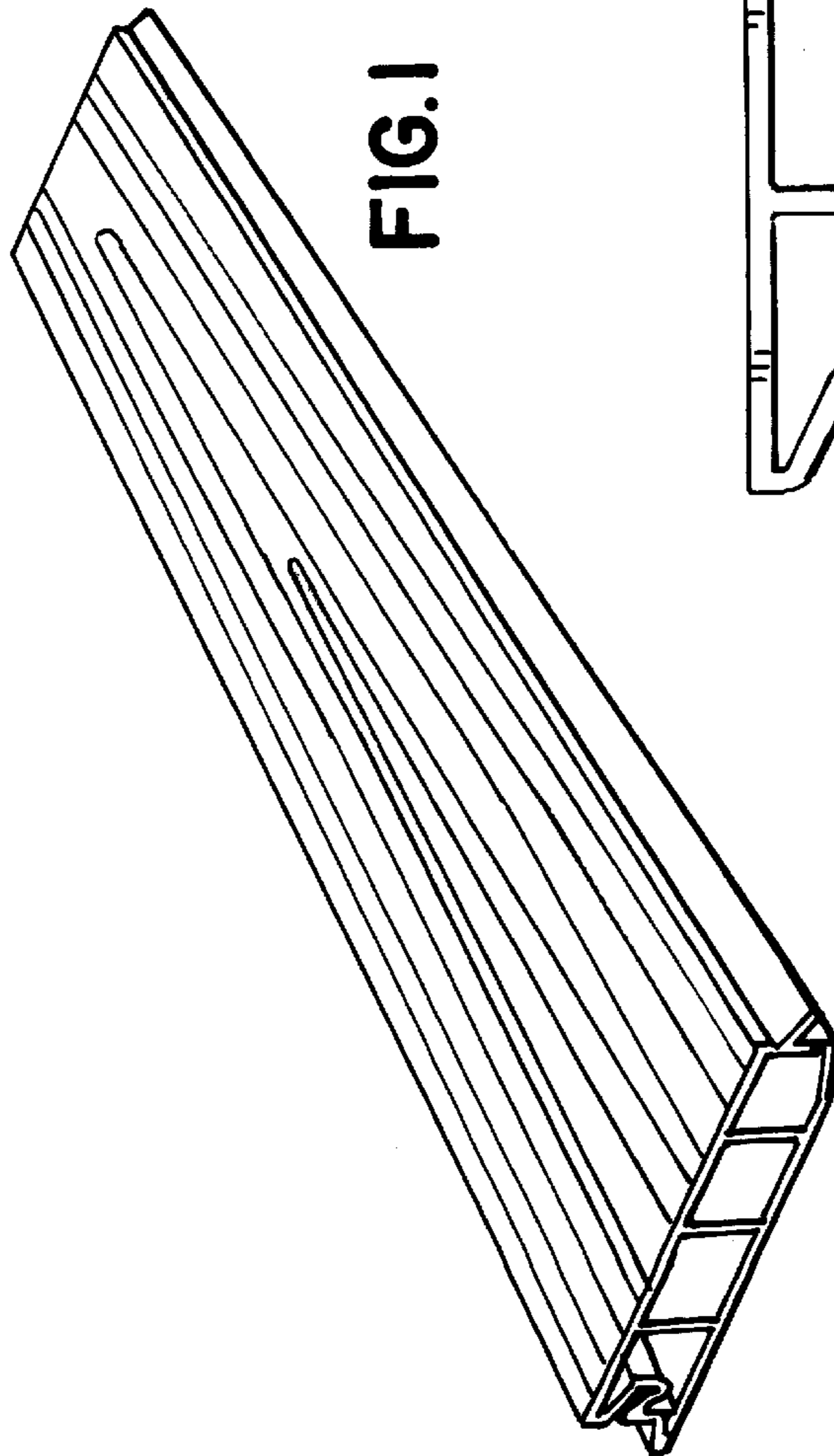


FIG. 1

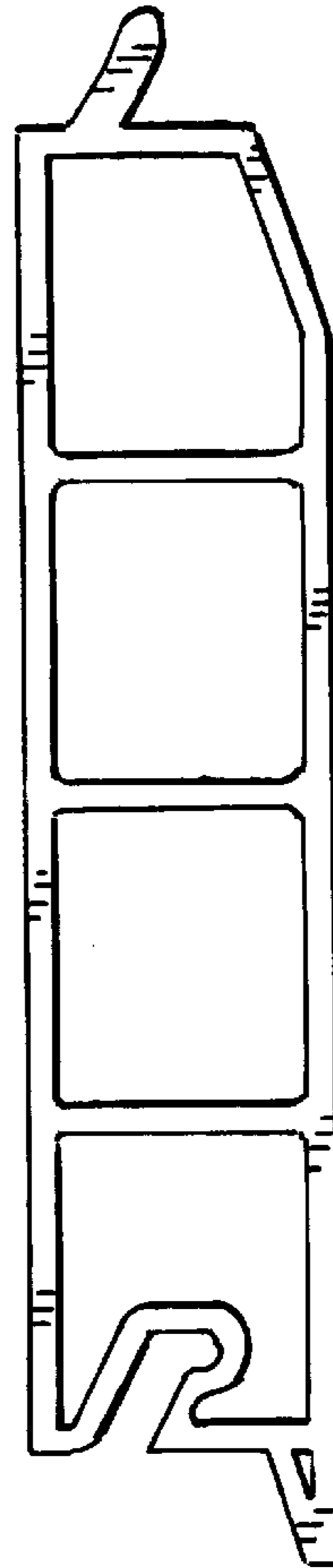


FIG. 2

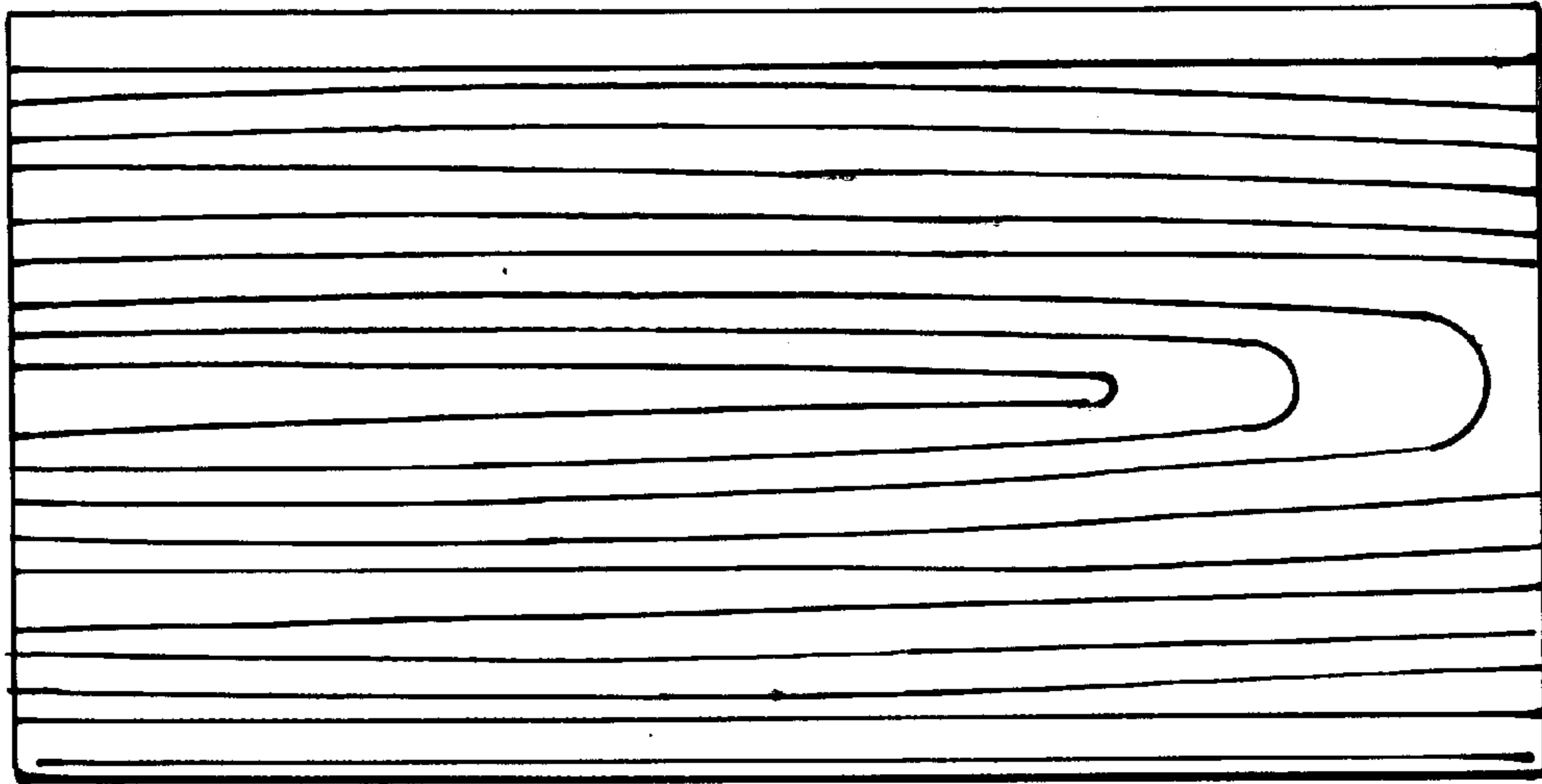


FIG. 4



FIG. 5

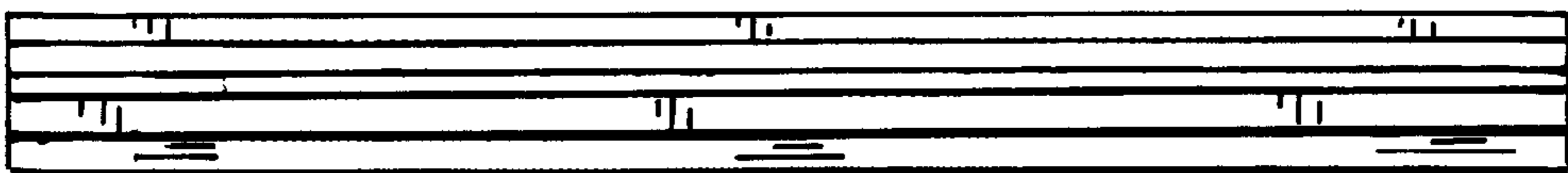


FIG. 6

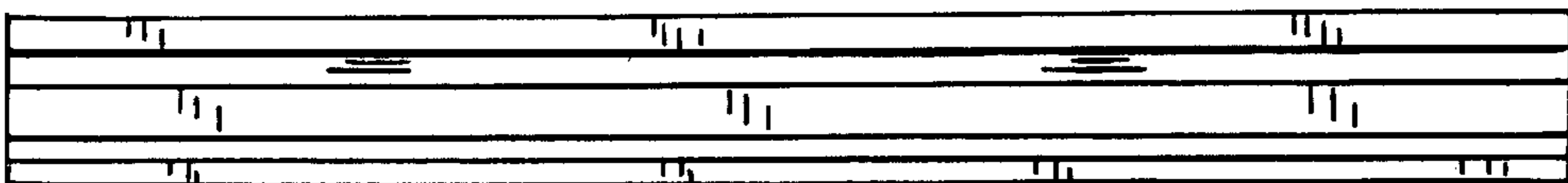


FIG. 7