



US00D523969S

(12) **United States Design Patent**  
**Abruzese et al.**

(10) **Patent No.:** **US D523,969 S**  
(45) **Date of Patent:** **\*\* Jun. 27, 2006**

(54) **GRILL SHIELD**

6,615,550 B1 \* 9/2003 Reuschel et al. .... 52/36.2

(76) Inventors: **Antoinette Abruzese**, 7020 N. Lorel Ave., Skokie, IL (US) 60077; **Benson Tung**, No. 111, Jongjeng Rd., Sec. 3, Render Shiang, Tainan Hsien (TW)

\* cited by examiner

*Primary Examiner*—Doris Clark  
(74) *Attorney, Agent, or Firm*—Alan D. Kamrath; Nikolai & Mersereau, P.A.

(\*\*) Term: **14 Years**

(57) **CLAIM**

(21) Appl. No.: **29/220,494**

The ornamental design for a grill shield, as shown and described.

(22) Filed: **Dec. 30, 2004**

**DESCRIPTION**

(51) **LOC (8) Cl.** ..... **25-02**

(52) **U.S. Cl.** ..... **D25/56**

(58) **Field of Classification Search** ..... D25/56;  
135/87, 124, 115, 908

See application file for complete search history.

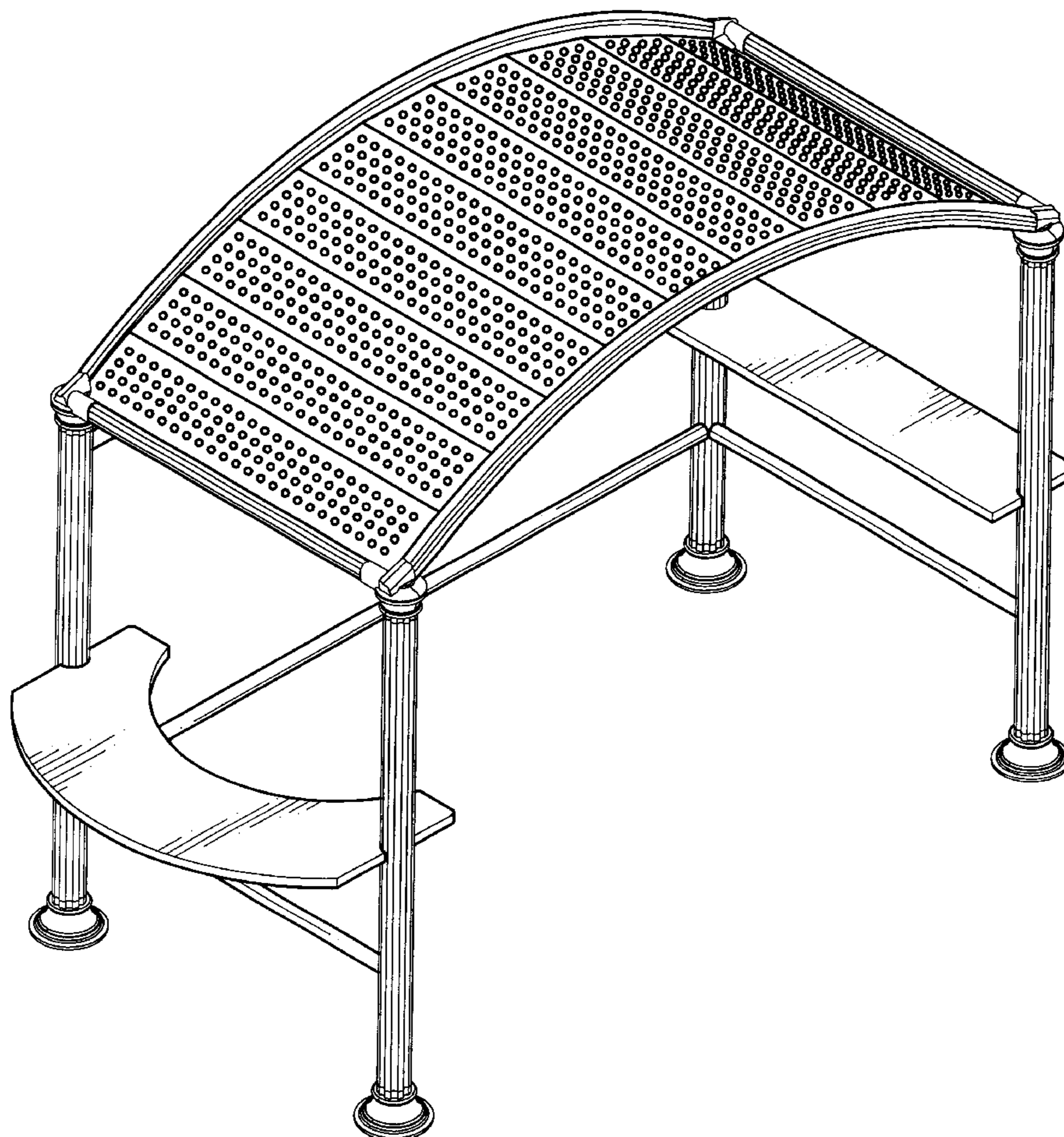
FIG. 1 is a perspective view of a grill shield showing our design;  
FIG. 2 is a front elevational view thereof;  
FIG. 3 is a rear elevational view thereof;  
FIG. 4 is a left elevational view thereof;  
FIG. 5 is a right elevational view thereof;  
FIG. 6 is a top plan view thereof; and,  
FIG. 7 is a bottom plan view thereof.

(56) **References Cited**

**U.S. PATENT DOCUMENTS**

6,276,382 B1 \* 8/2001 Bindschatel et al. .... 135/96  
D468,446 S \* 1/2003 Sender et al. .... D25/56

**1 Claim, 7 Drawing Sheets**



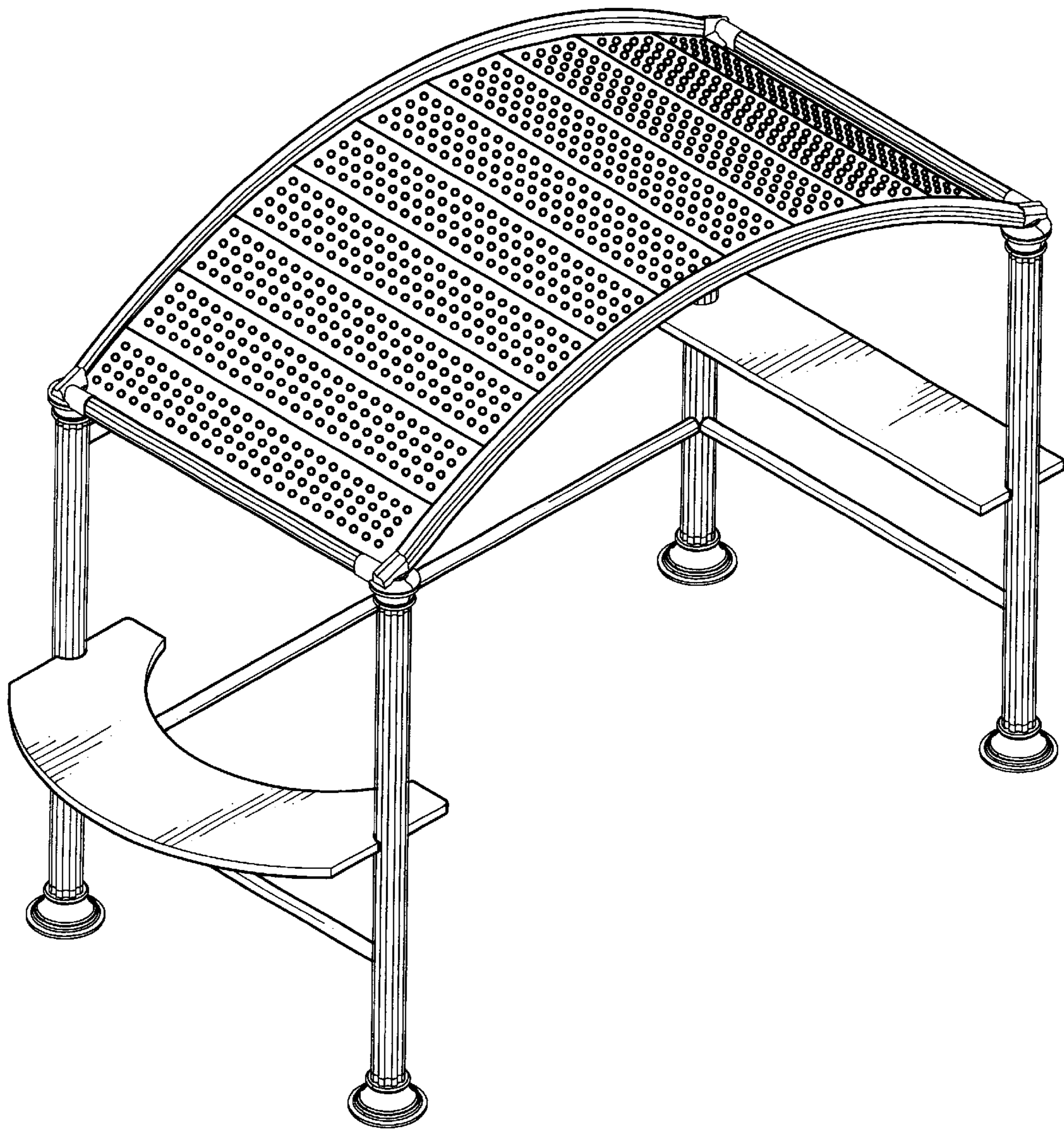


FIG . 1

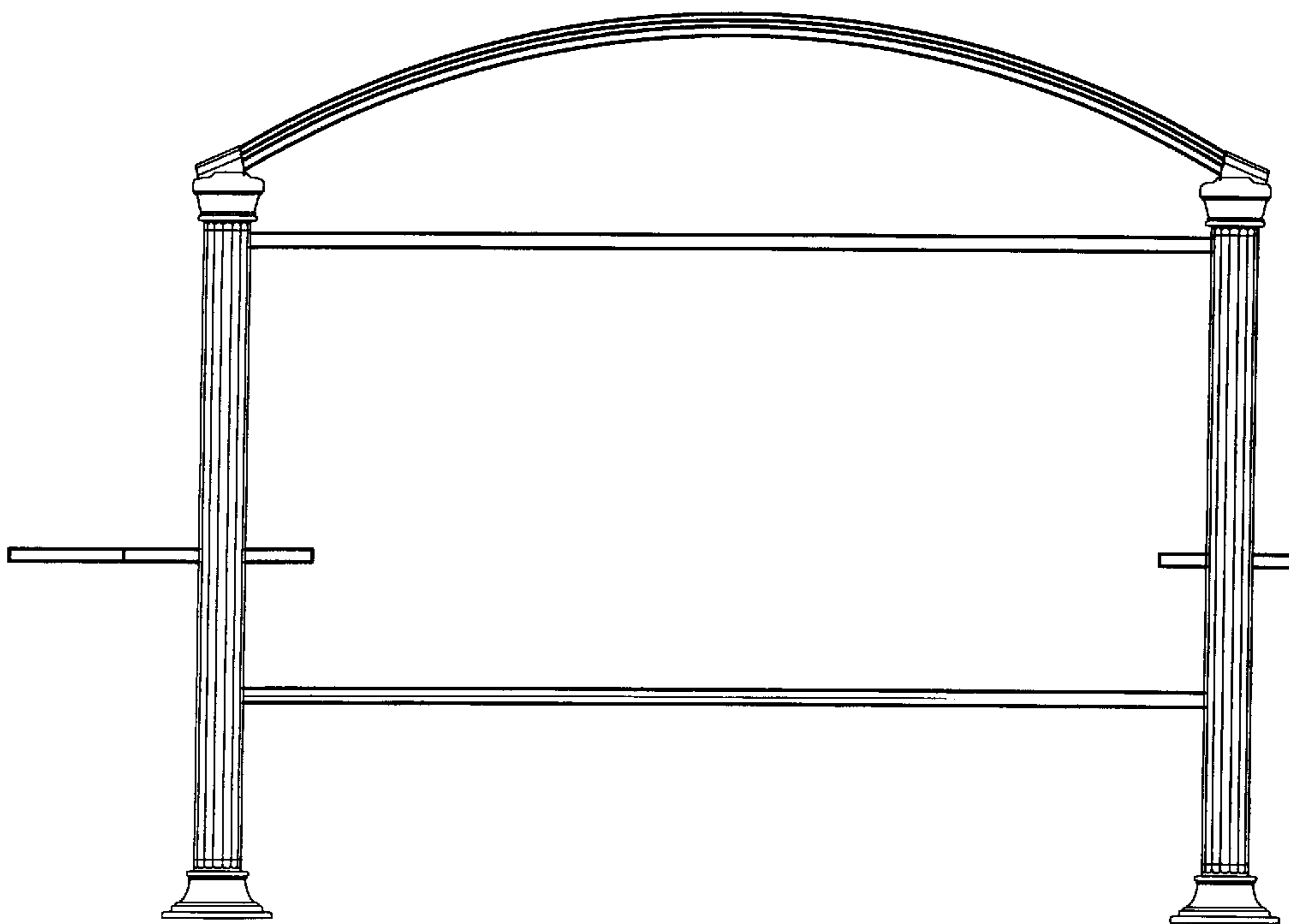


FIG . 2

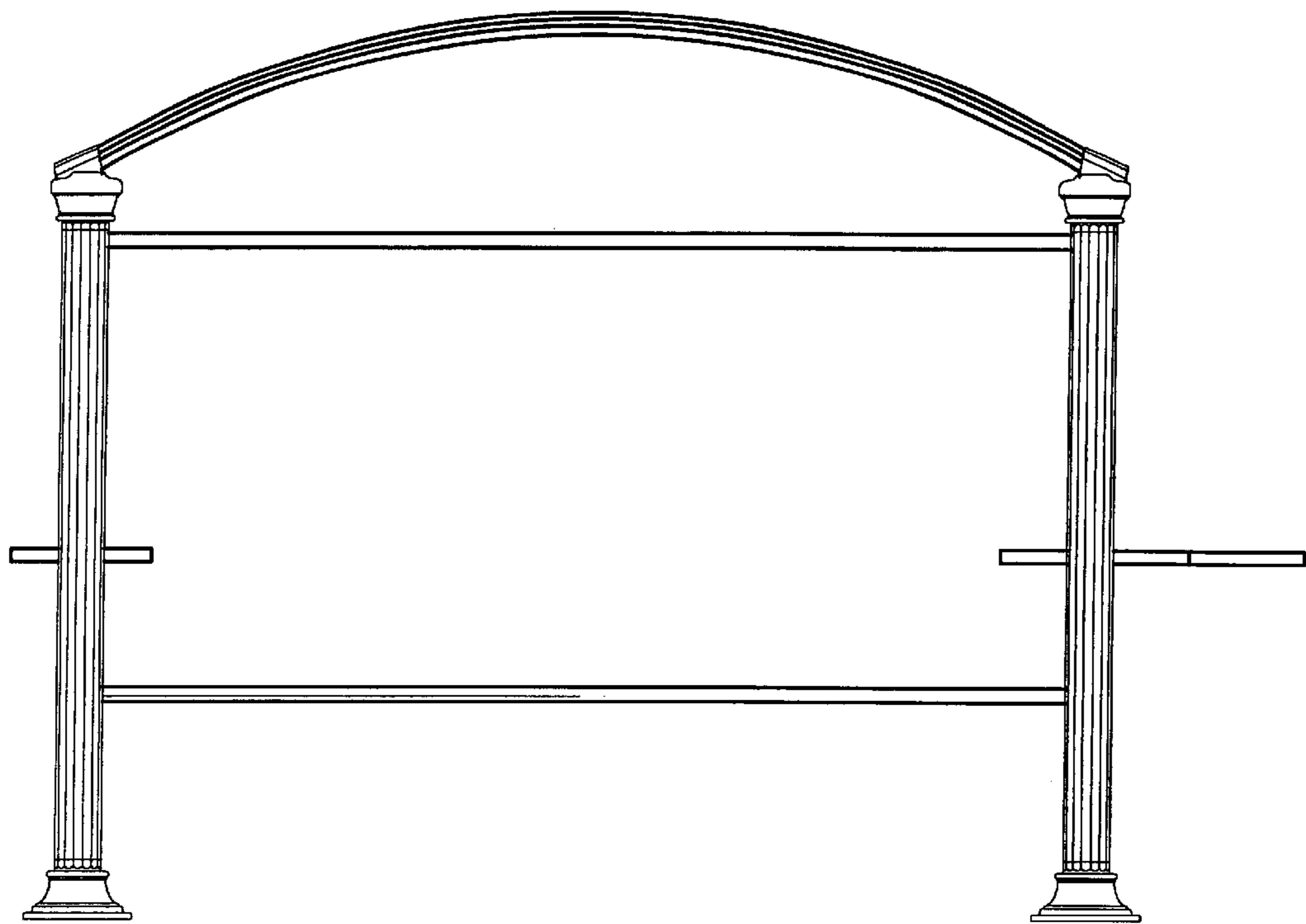


FIG . 3

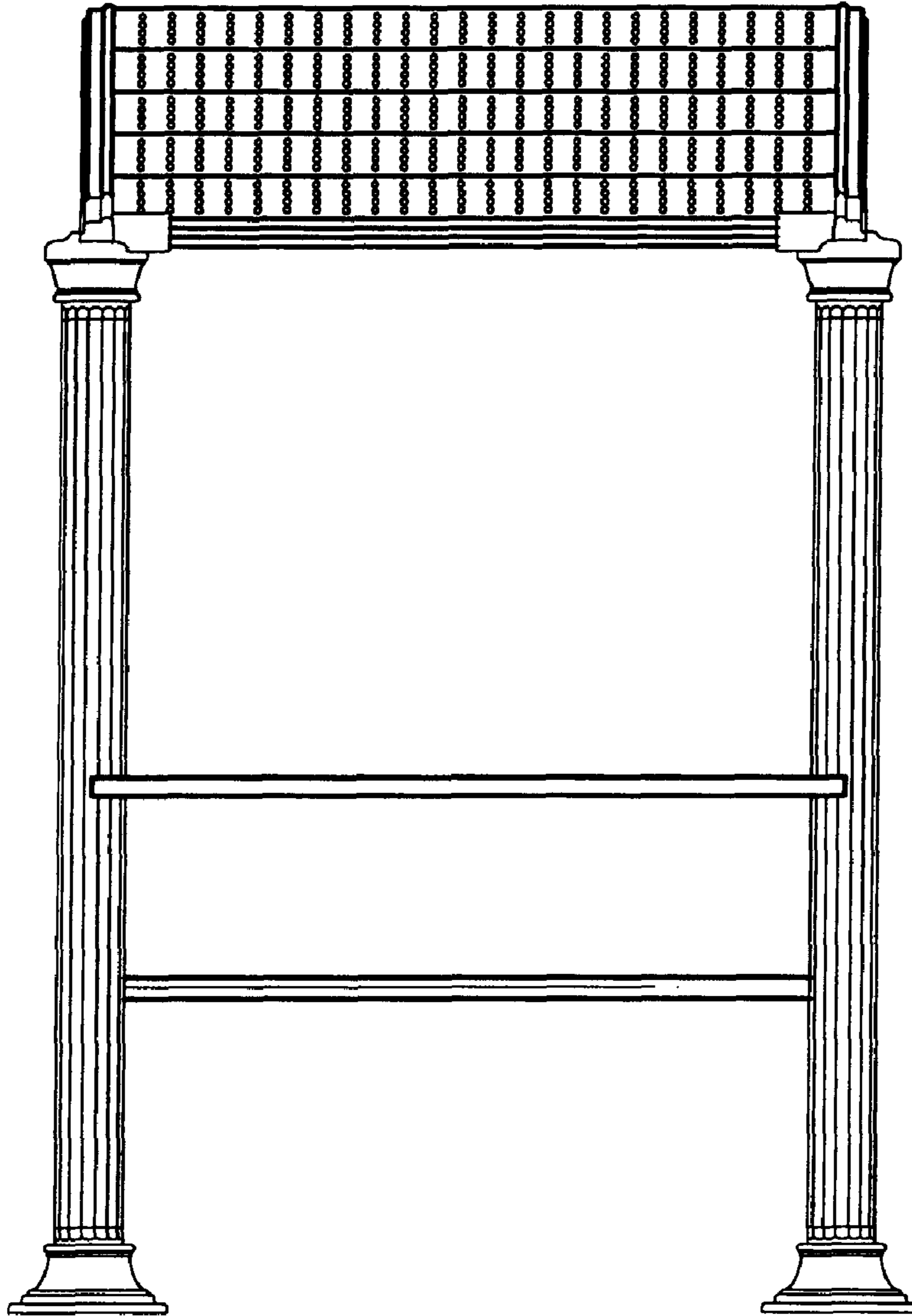


FIG . 4

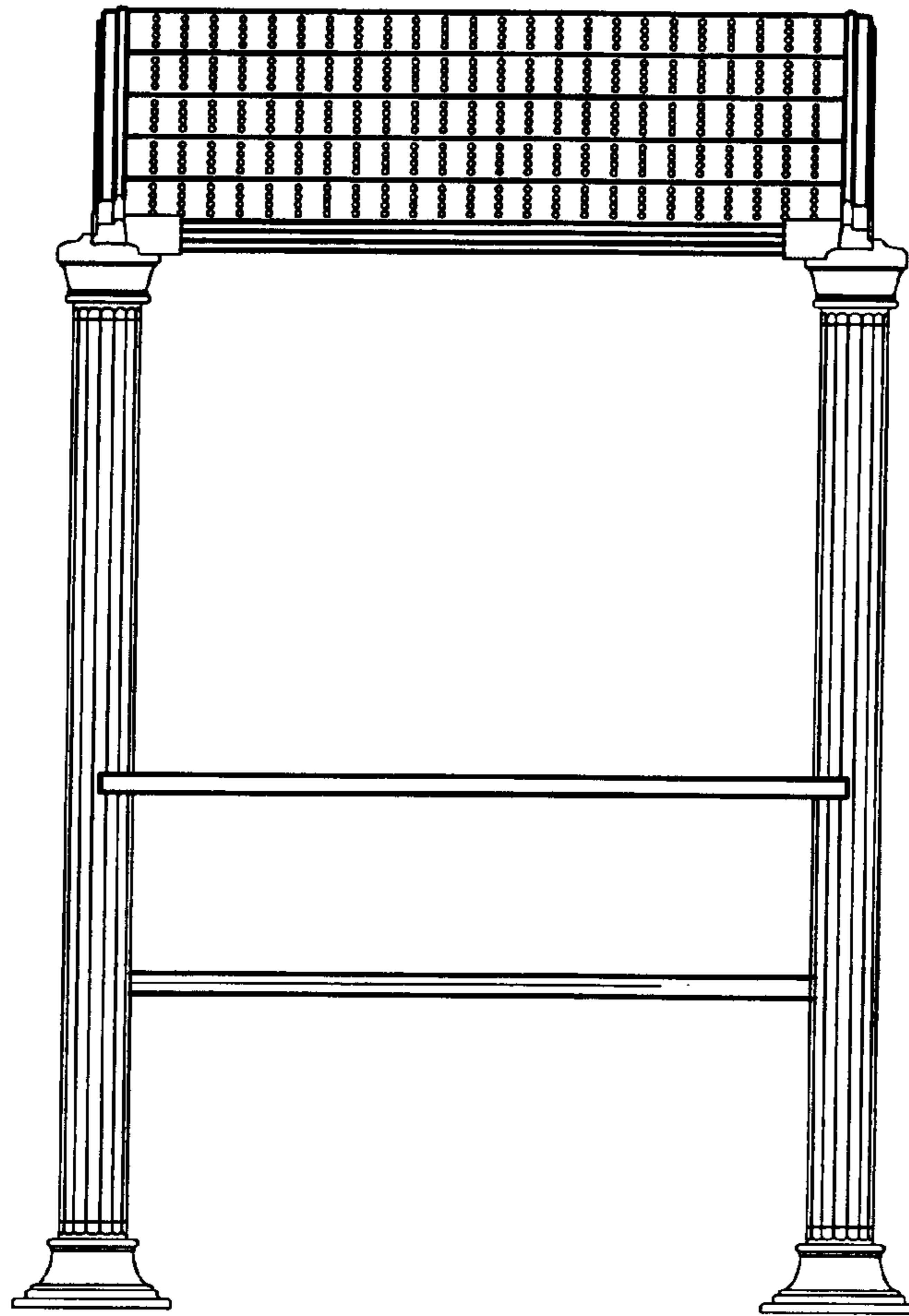


FIG . 5

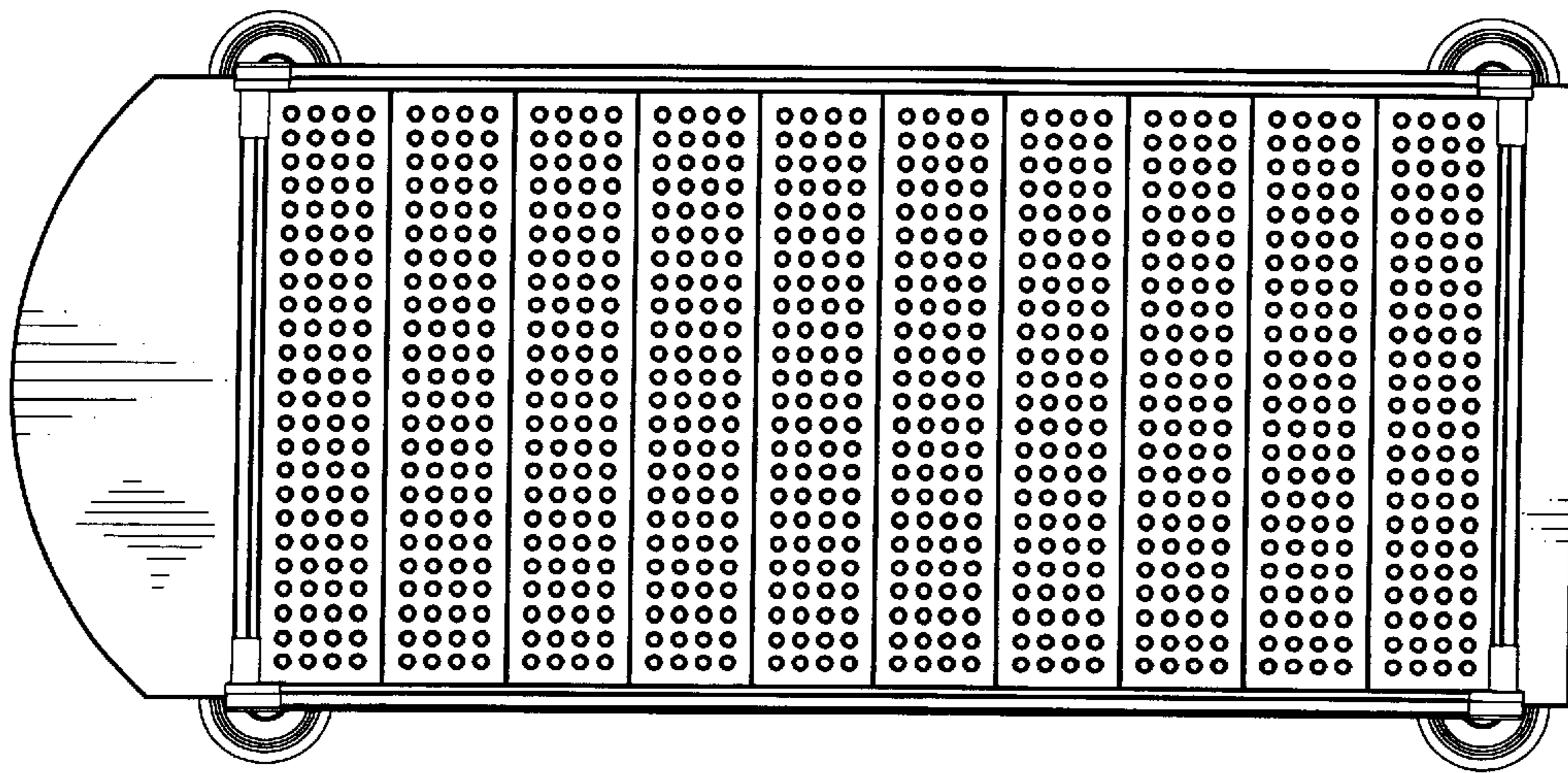


FIG . 6

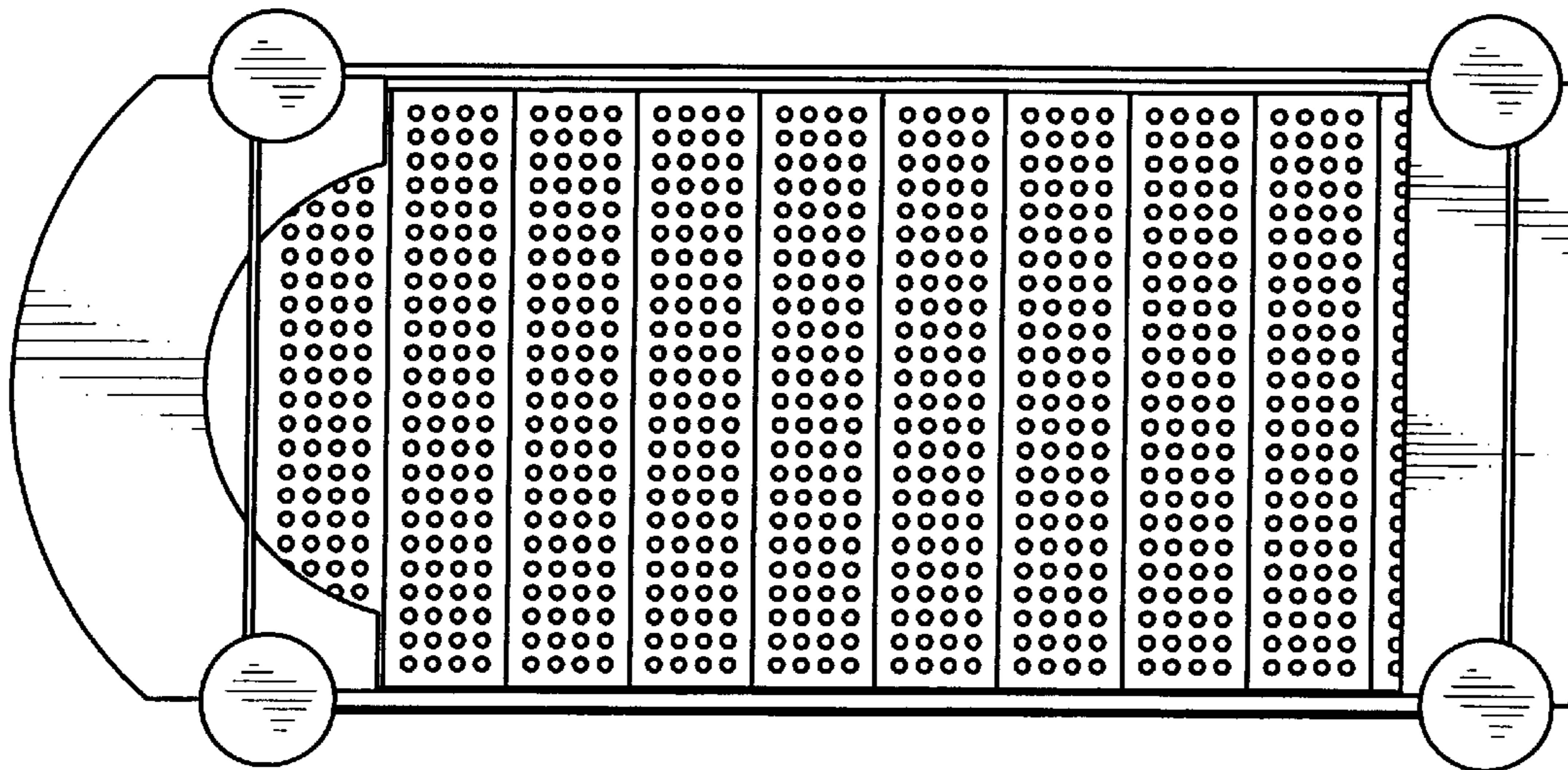


FIG . 7