



US00D523967S

(12) **United States Design Patent**
Sigmund

(10) **Patent No.:** **US D523,967 S**
(45) **Date of Patent:** **** Jun. 27, 2006**

- (54) **VENT FOR A SOFFIT PANEL WITH TOP OPENINGS**
- (75) Inventor: **John L. Sigmund**, Holland, OH (US)
- (73) Assignee: **CertainTeed Corporation**, Valley Forge, PA (US)
- (**) Term: **14 Years**
- (21) Appl. No.: **29/214,811**
- (22) Filed: **Oct. 8, 2004**

Related U.S. Application Data

- (63) Continuation of application No. 10/428,554, filed on May 2, 2003.
 - (51) **LOC (8) Cl.** **25-02**
 - (52) **U.S. Cl.** **D25/55**
 - (58) **Field of Classification Search** 52/95,
52/56, 198, 199; D23/393; D25/55, 199;
454/260
- See application file for complete search history.

(56) **References Cited**

U.S. PATENT DOCUMENTS

3,159,943 A	12/1964	Sugar et al.	
3,174,421 A *	3/1965	Gray	454/260
3,246,436 A	4/1966	Roush	
3,289,380 A	12/1966	Chamiga, Jr.	
3,417,519 A	12/1968	Hitter	
4,102,106 A	7/1978	Golder et al.	
4,188,762 A	2/1980	Tellman	
D268,703 S *	4/1983	Lloyd-Jones	D25/55
4,607,753 A	8/1986	Radek	
4,665,675 A	5/1987	Kelly	
4,870,798 A	10/1989	Richter	
4,930,287 A	6/1990	Volk et al.	
5,016,415 A	5/1991	Kellis	
5,022,207 A	6/1991	Hartnett	
5,167,104 A	12/1992	Alvarado	
5,195,283 A	3/1993	MacLeod et al.	
5,243,793 A	9/1993	MacLeod et al.	
5,292,281 A *	3/1994	Butler	454/260
5,303,525 A	4/1994	Magee	
5,507,126 A	4/1996	Wu	

5,718,086 A	2/1998	Dunn	
5,791,985 A	8/1998	Schiedegger et al.	
5,799,446 A	9/1998	Tamlyn	
5,809,731 A	9/1998	Reiss	
5,881,502 A	3/1999	Tamlyn	
5,937,592 A	8/1999	Tamlyn	
5,946,876 A	9/1999	Grace, Sr. et al.	
5,947,816 A	9/1999	Schiedegger et al.	
5,950,375 A	9/1999	Zaccagni	
5,956,914 A	9/1999	Williamson	
D418,610 S *	1/2000	Dyer et al.	D25/55
6,026,616 A	2/2000	Gibson	
6,134,855 A	10/2000	Beck	
6,145,255 A	11/2000	Allaster	
6,164,467 A	12/2000	DePottay et al.	
6,185,899 B1	2/2001	De Niet	
6,223,488 B1	5/2001	Pelfrey et al.	
6,354,045 B1	3/2002	Boone et al.	
6,415,559 B1	7/2002	Reeves et al.	
6,474,032 B1	11/2002	Wynn	

* cited by examiner

Primary Examiner—Doris Clark
(74) *Attorney, Agent, or Firm*—Duane Morris LLP

(57) **CLAIM**

The ornamental design for a vent for a soffit panel with top openings, as shown and described.

DESCRIPTION

FIG. 1 is an isometric view of a vent for a soffit panel with elongated top openings according to an exemplary embodiment;

FIG. 2 is a top plan view of the vent for a soffit panel with top openings shown in FIG. 1;

FIG. 3 is a bottom plan view of the vent for a soffit panel with top openings shown in FIG. 1;

FIG. 4 is a bottom-end elevation view of the vent for a soffit panel with top openings shown in FIG. 2;

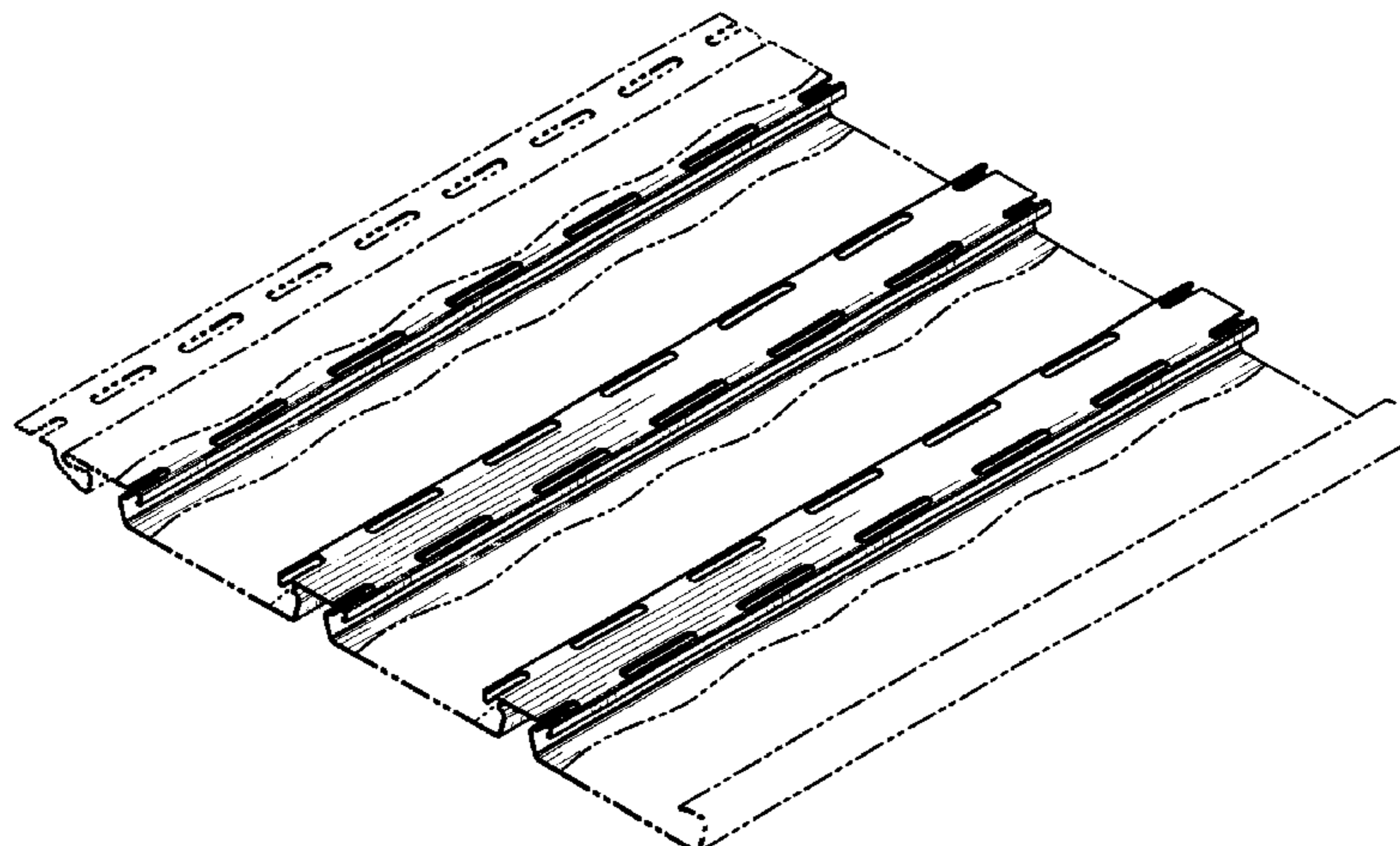
FIG. 5 is a top-end elevation view of the vent for a soffit panel with top openings shown in FIG. 2;

FIG. 6 is a left-side elevation view of the vent for a soffit panel with top openings shown in FIG. 2;

FIG. 7 is an enlarged detail of FIG. 6; and,

FIG. 8 is a right-side elevation view of the vent for a soffit panel with top openings shown in FIG. 2.

1 Claim, 3 Drawing Sheets



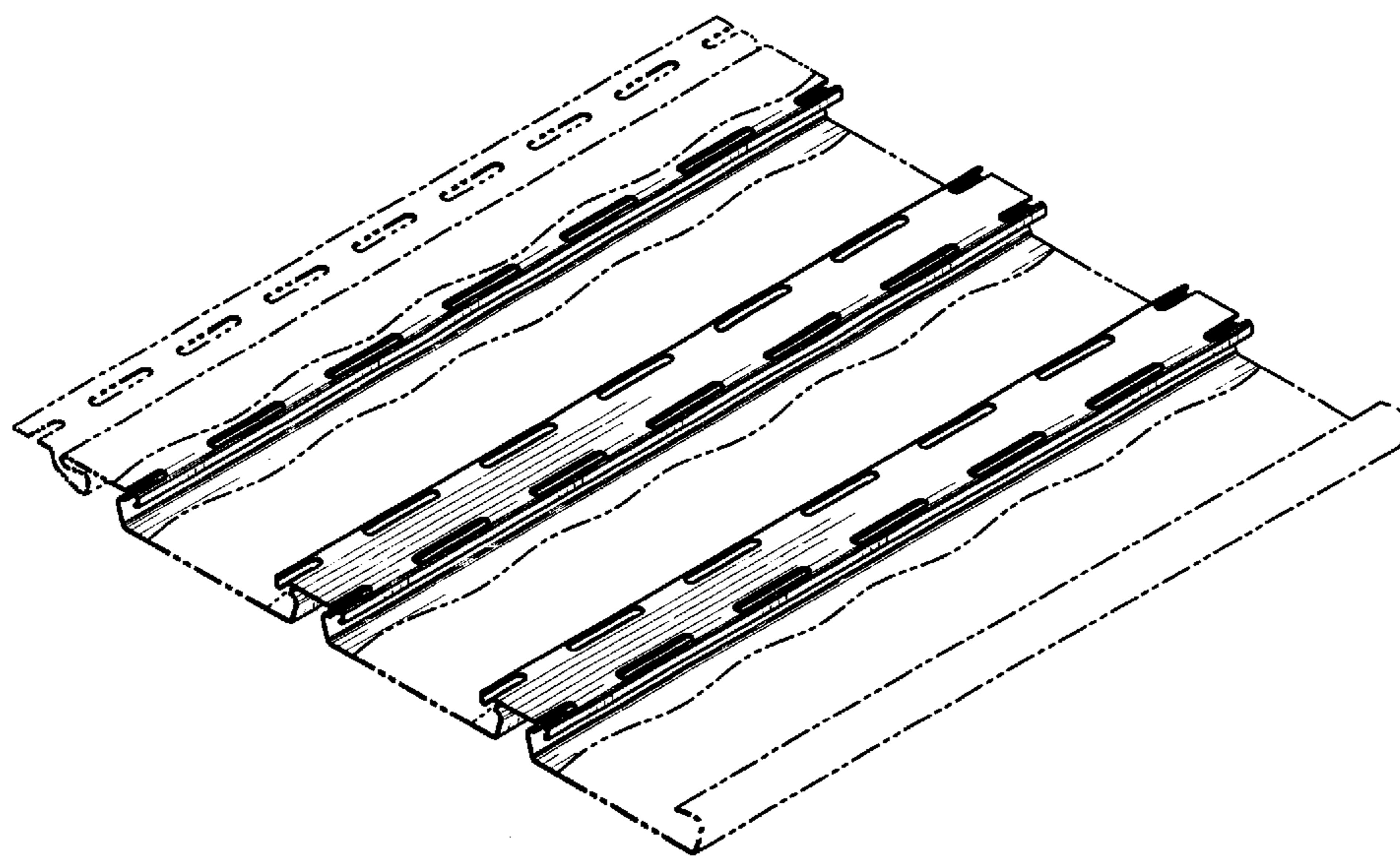


FIG. 1

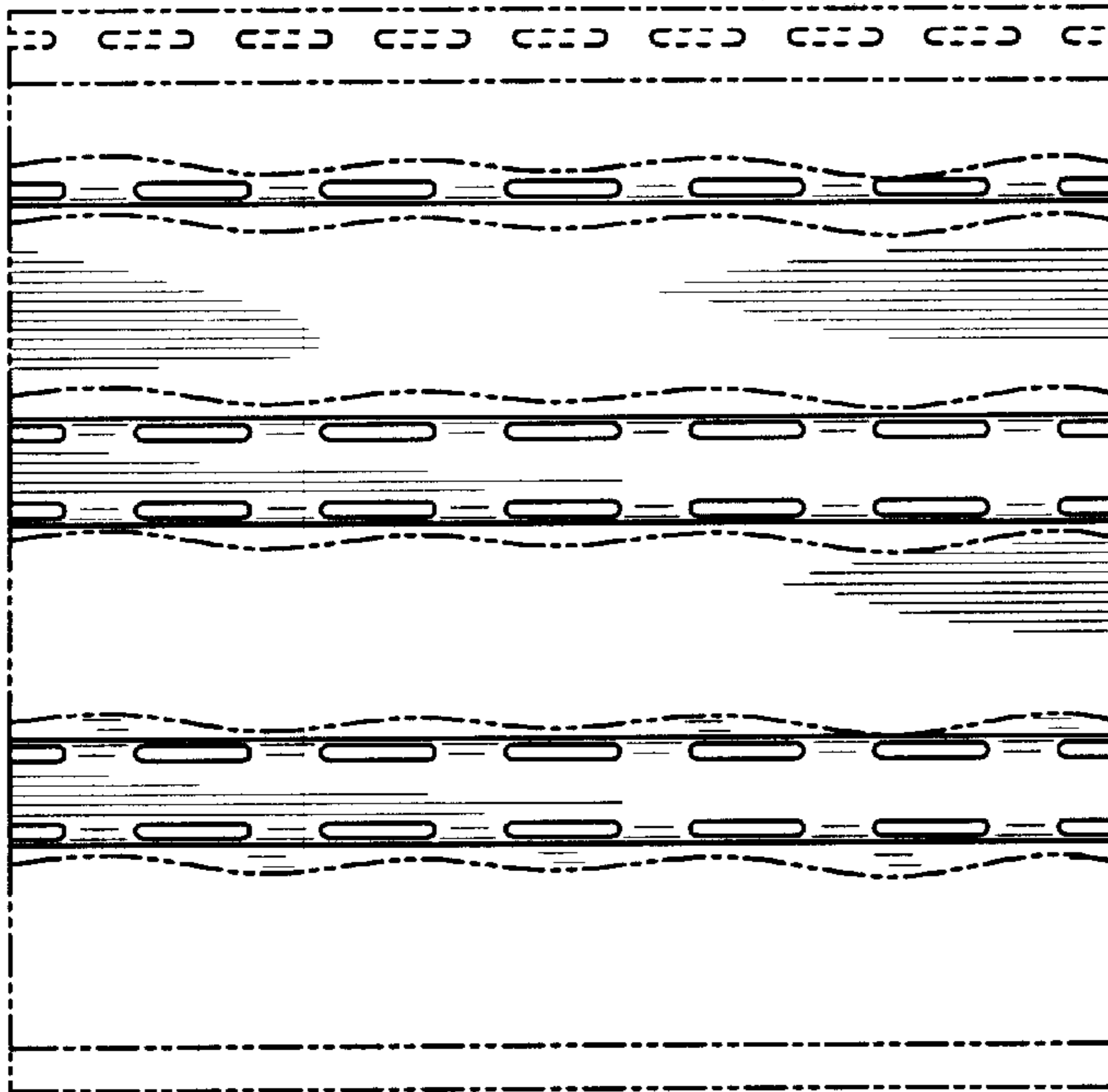


FIG. 2

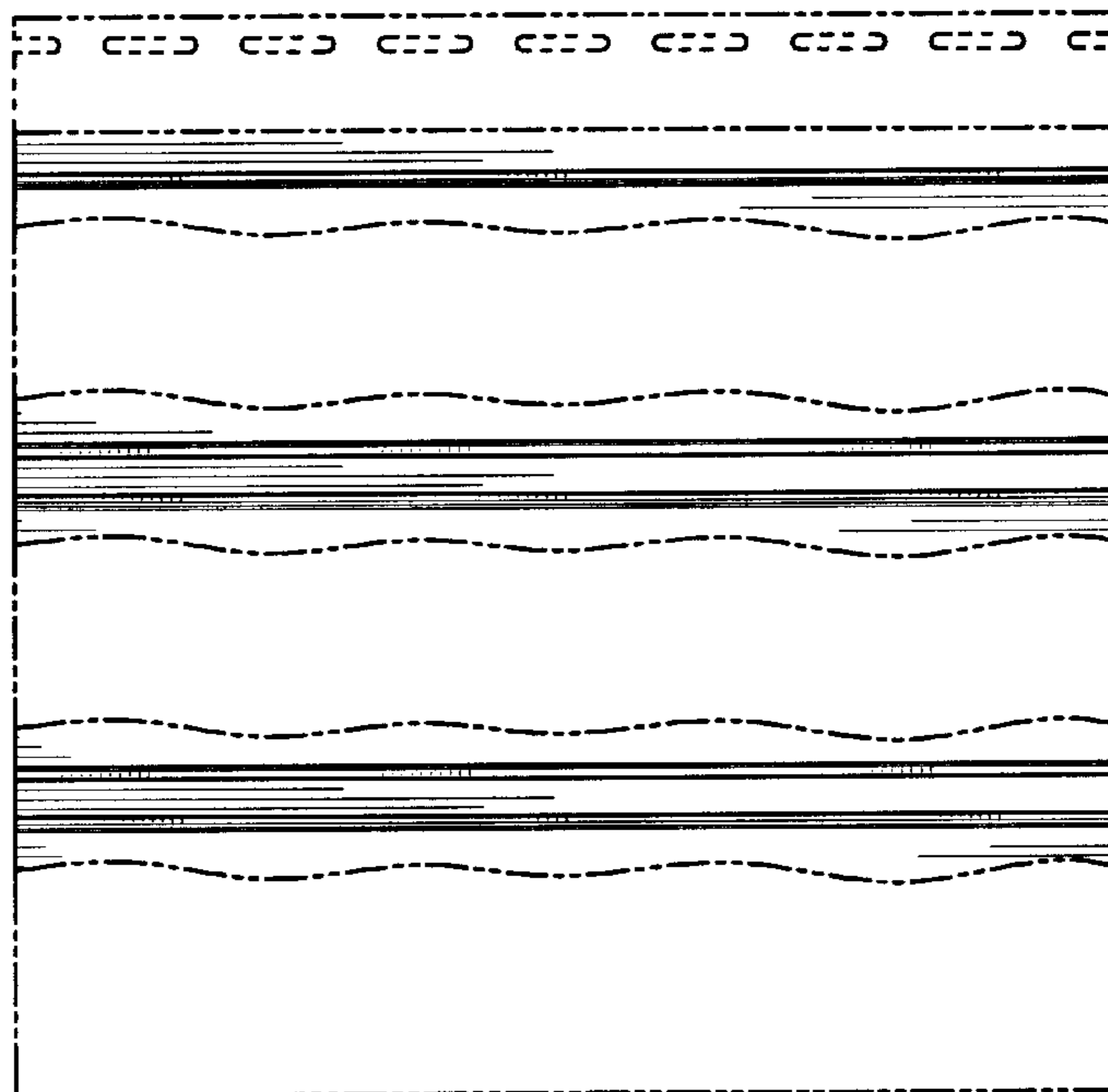


FIG. 3

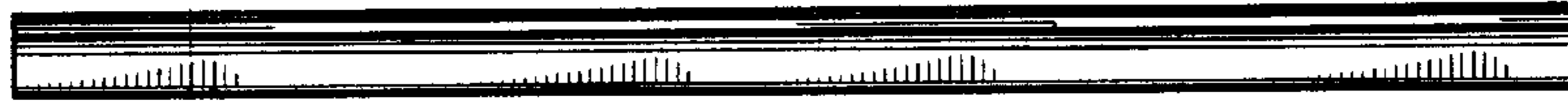


FIG. 4



FIG. 5



FIG. 6

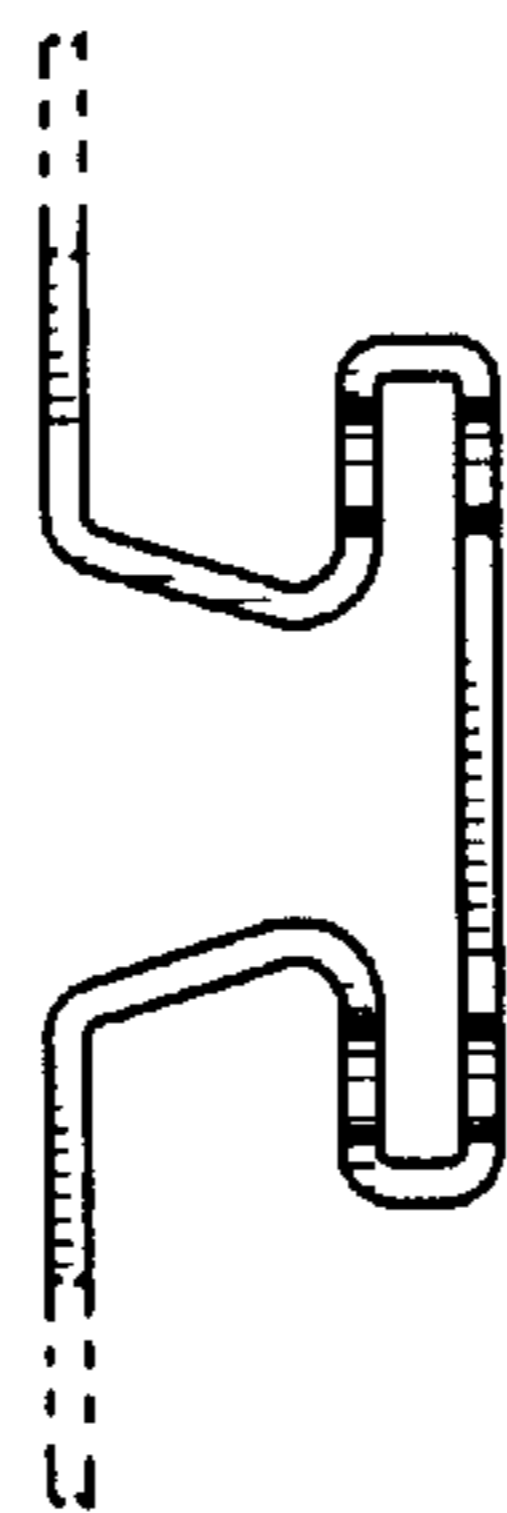


FIG. 7



FIG. 8