



US00D523966S

(12) **United States Design Patent**  
**Kitchen et al.**

(10) **Patent No.:** **US D523,966 S**  
(45) **Date of Patent:** **\*\* Jun. 27, 2006**

(54) **WINDOW WELL**

(76) Inventors: **Matthew J. Kitchen**, 2720 S. Lemel Cir., Salt Lake City, UT (US) 84115;  
**Mark R. Kitchen**, 2720 S. Lemel Cir., Salt Lake City, UT (US) 84115; **Daniel W. Kitchen**, 2720 S. Lemel Cir., Salt Lake City, UT (US) 84115

(\*\*) Term: **14 Years**

(21) Appl. No.: **29/224,789**

(22) Filed: **Mar. 7, 2005**

(51) **LOC (8) Cl.** ..... **25-02**

(52) **U.S. Cl.** ..... **D25/54**

(58) **Field of Classification Search** ..... D25/54;  
52/107

See application file for complete search history.

(56) **References Cited**

**U.S. PATENT DOCUMENTS**

2,695,689	A	11/1954	Peterson
3,099,900	A	8/1963	Beck
3,848,378	A	11/1974	Witte
3,999,334	A	12/1976	Webb
4,876,833	A	10/1989	Gefroh et al.
5,107,640	A	4/1992	Gefroh et al.

5,271,195	A	12/1993	Wahe
5,339,579	A	8/1994	Woodyer et al.
5,881,503	A	3/1999	Eichelberger
6,484,455	B1	11/2002	Poole
D497,013	S	* 10/2004	Hughes ..... D25/151
6,880,300	B1	4/2005	Hawkes

\* cited by examiner

*Primary Examiner*—Doris Clark

(74) *Attorney, Agent, or Firm*—Bateman IP Law Group

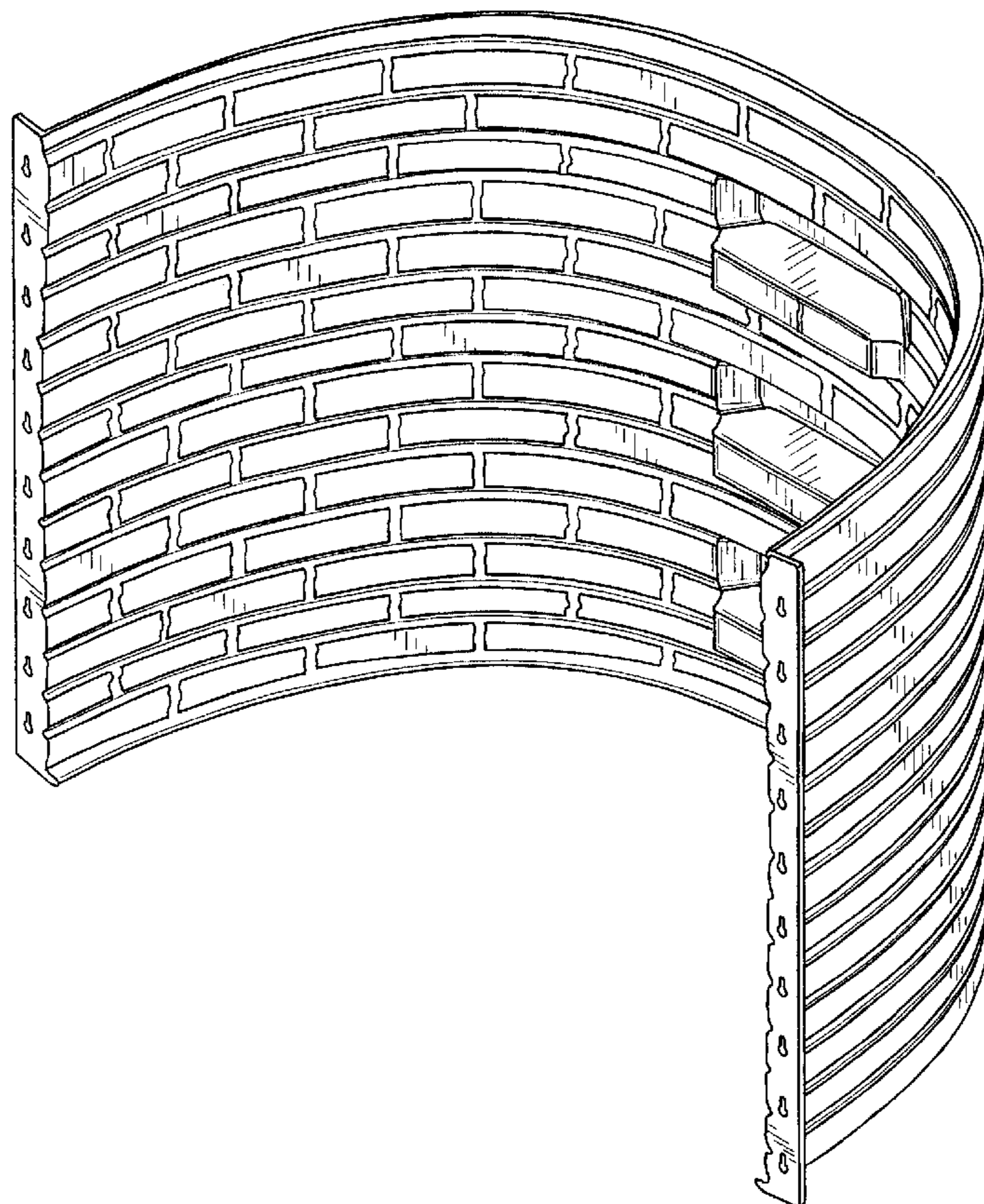
(57) **CLAIM**

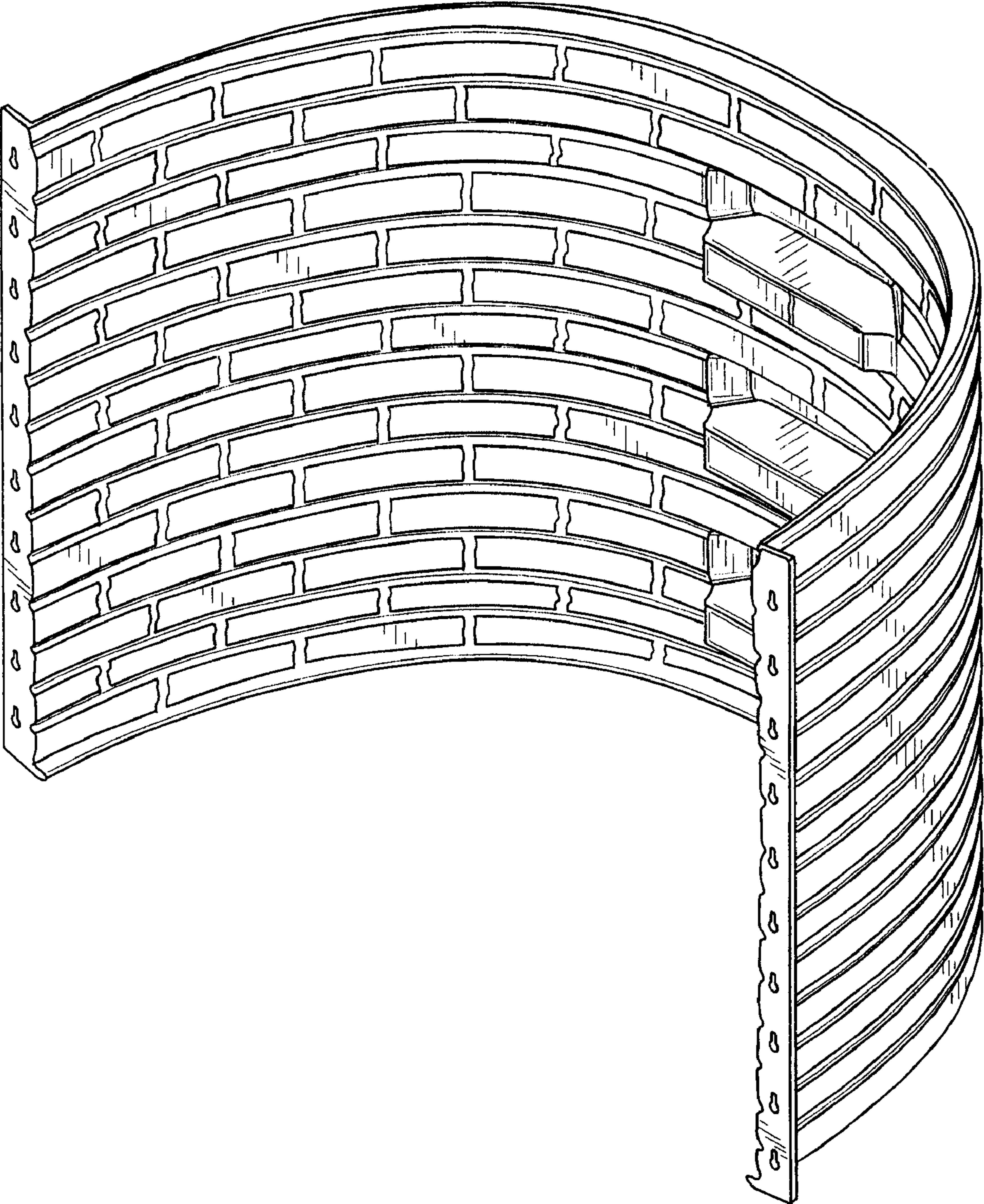
The ornamental design for a window well, as shown and described.

**DESCRIPTION**

FIG. 1 shows a perspective view of a window well made in accordance with the design of the present invention; FIG. 2 shows a front view of the window well of FIG. 1; FIG. 3 shows a rear view of the window well of FIG. 1; FIG. 4 shows a bottom view of the window well of FIG. 1; FIG. 5 shows a top view of the window well of FIG. 1; FIG. 6 shows an right side view of the window well of FIG. 1; and, FIG. 7 shows an left side view of the window well of FIG. 1.

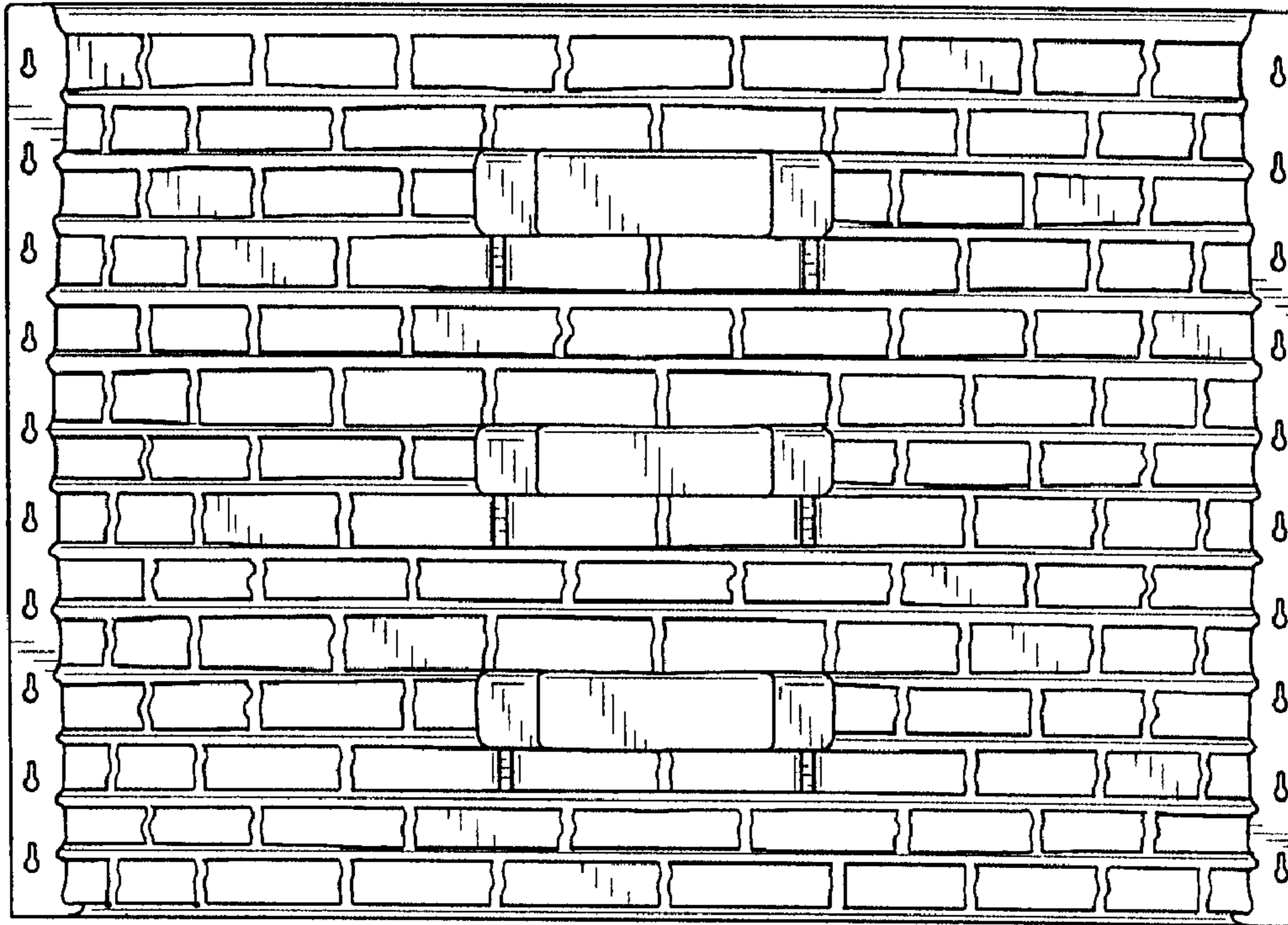
**1 Claim, 4 Drawing Sheets**



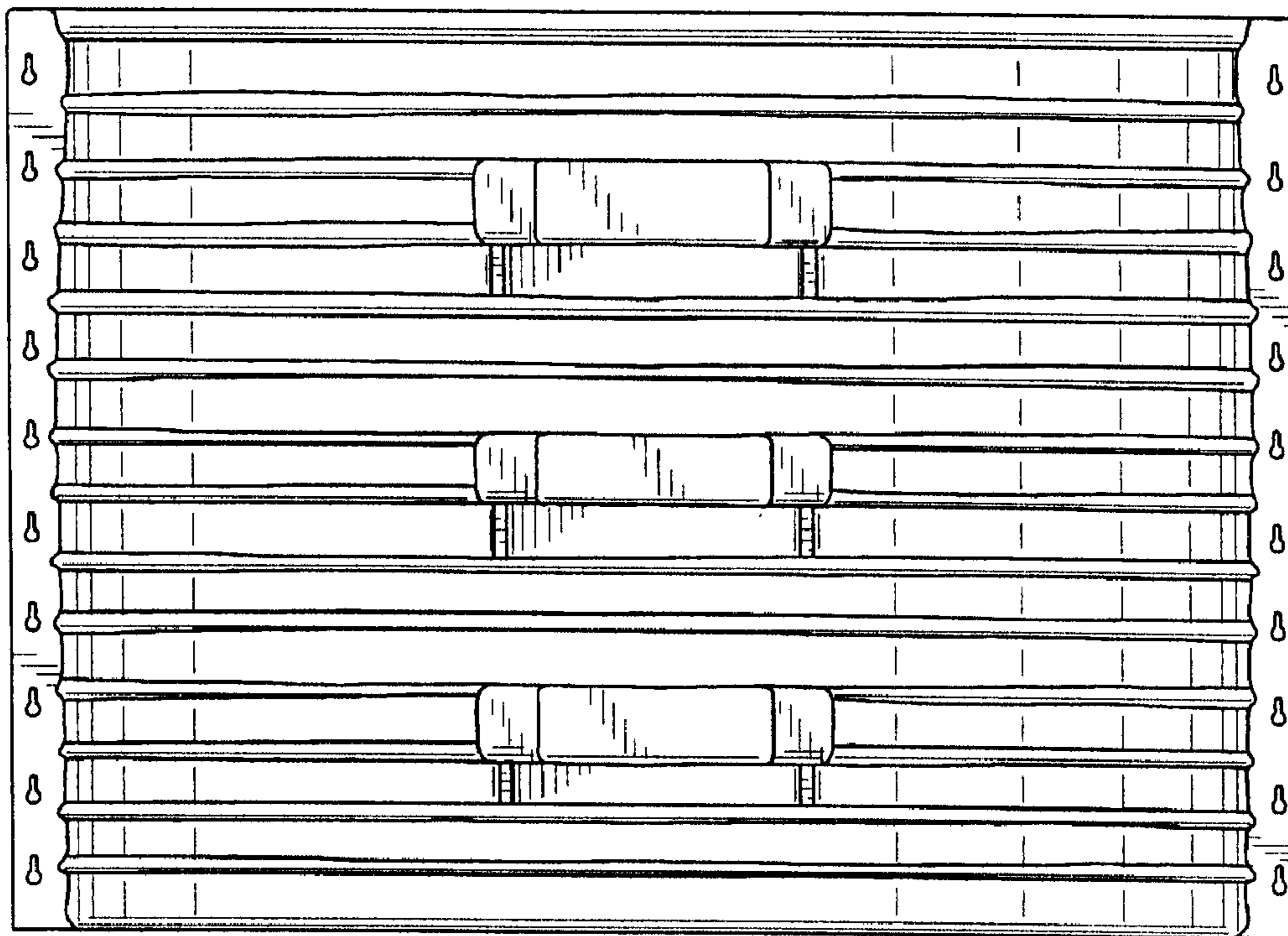


**FIG. 1**

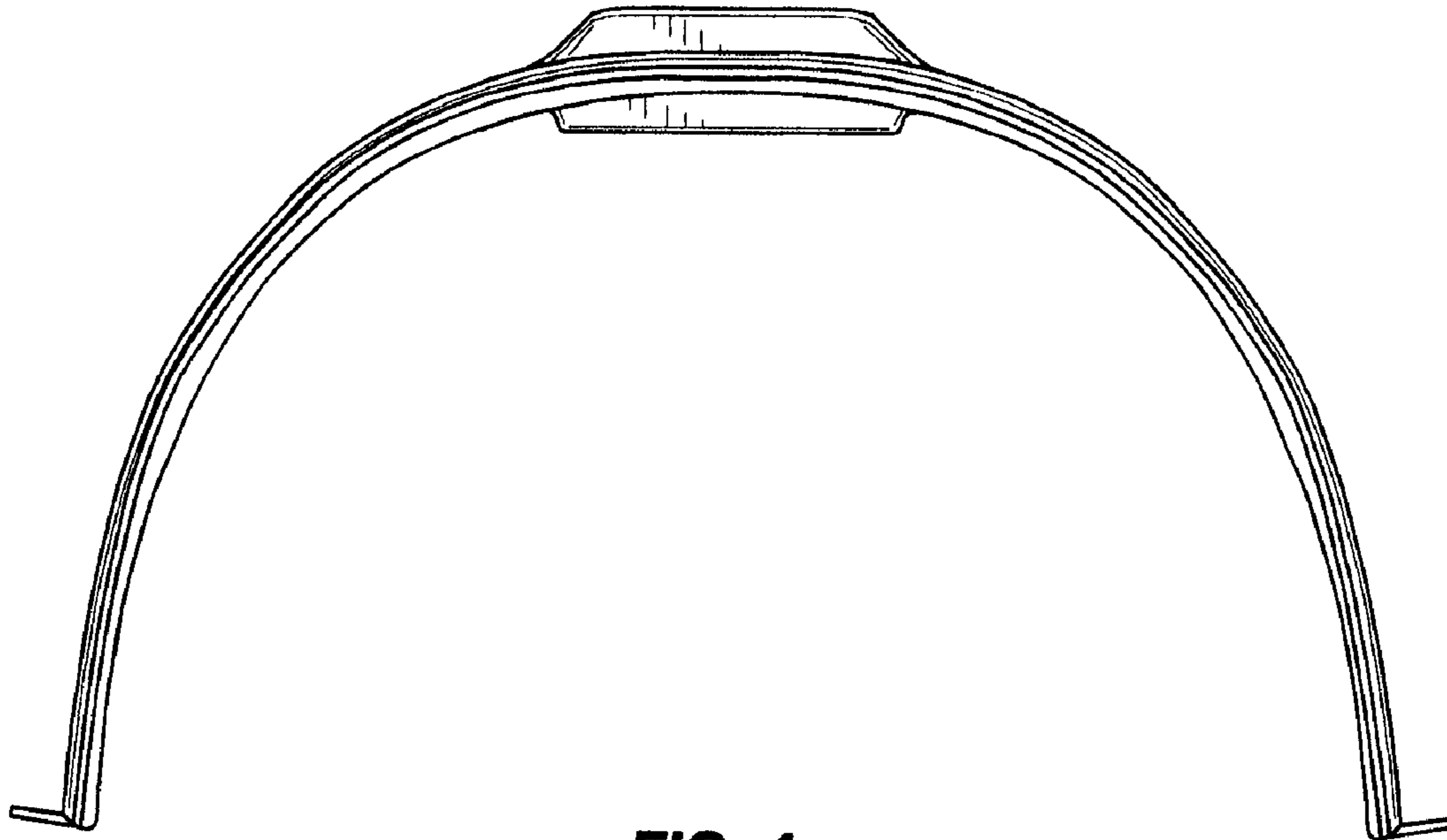




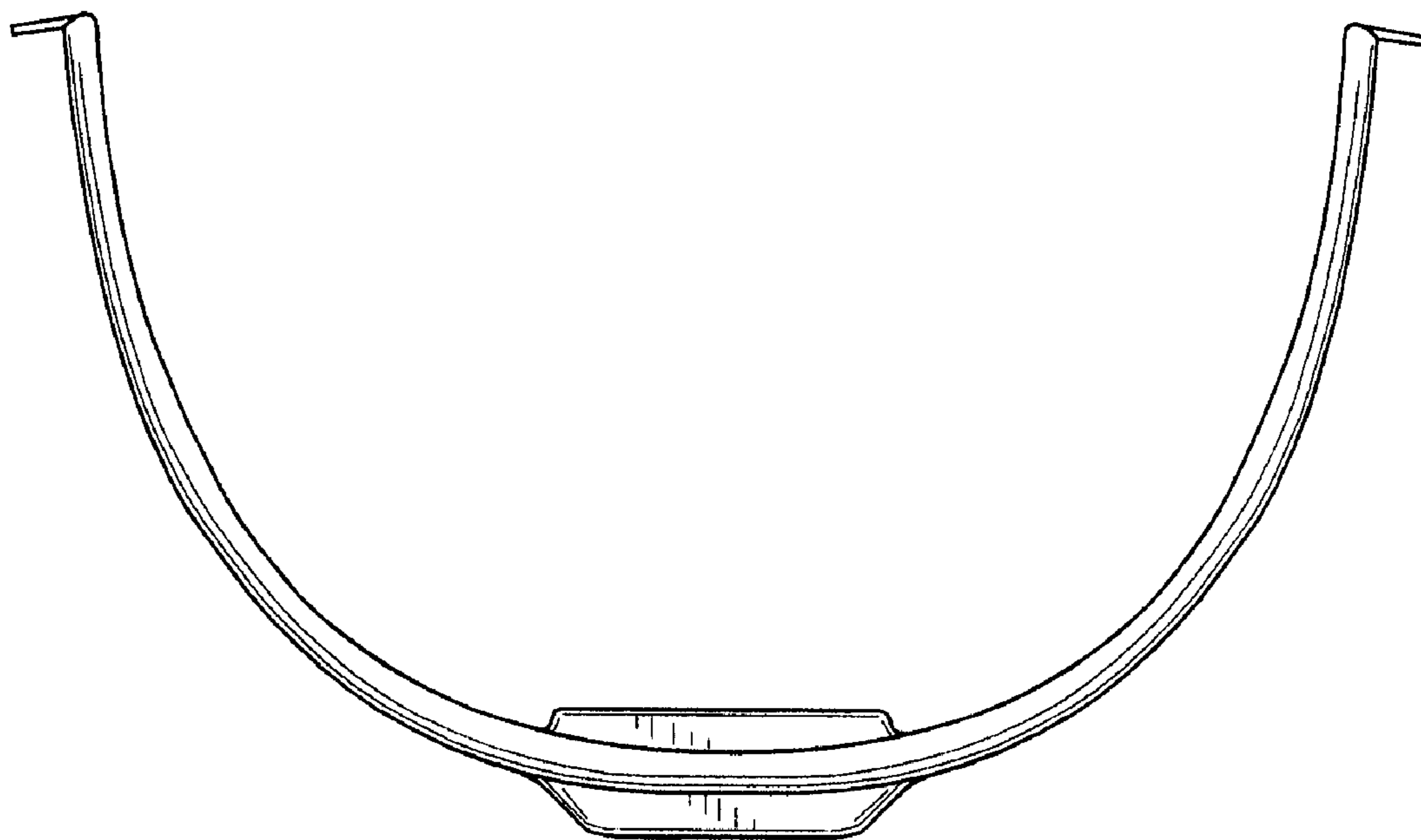
**FIG. 2**



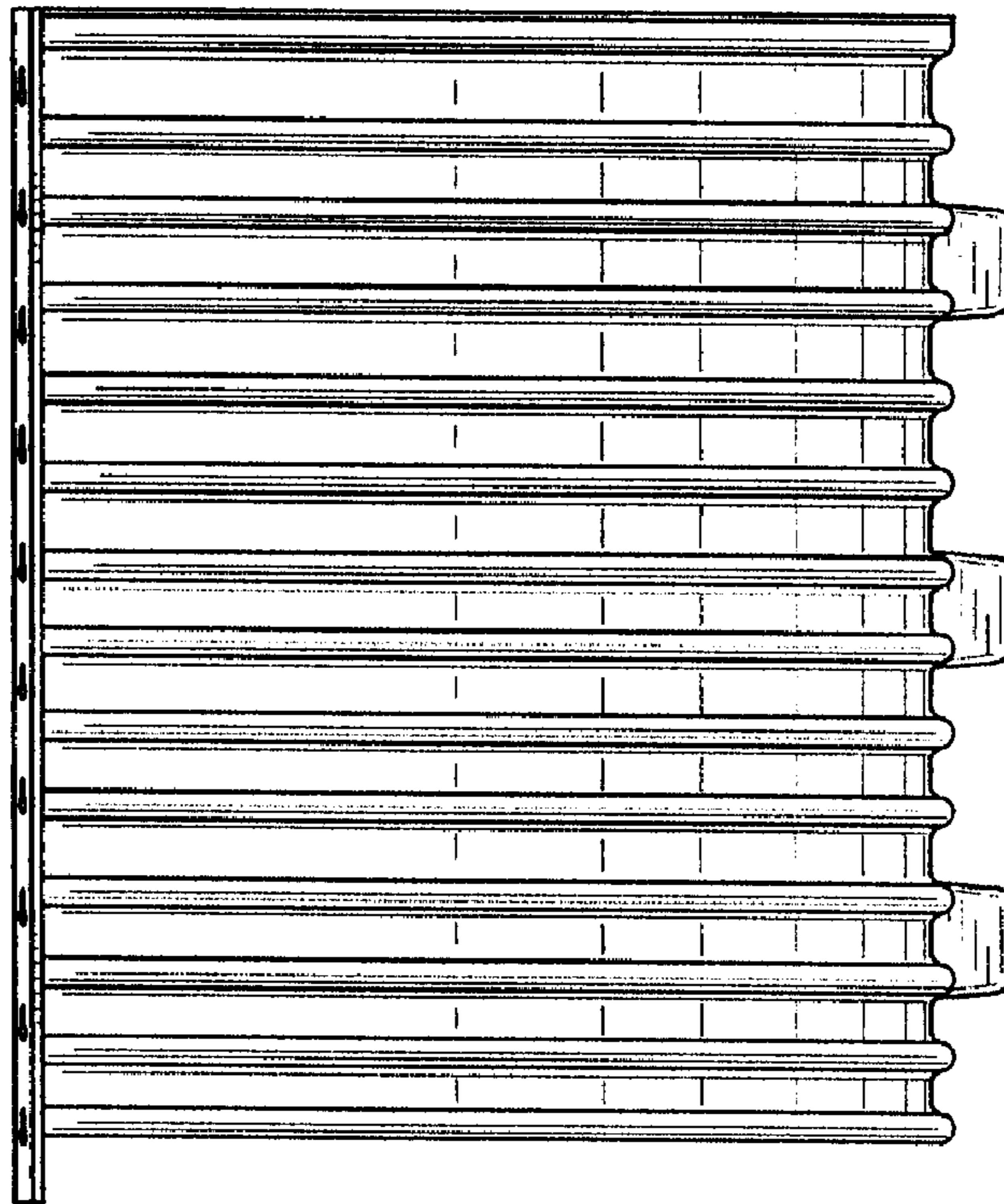
**FIG. 3**



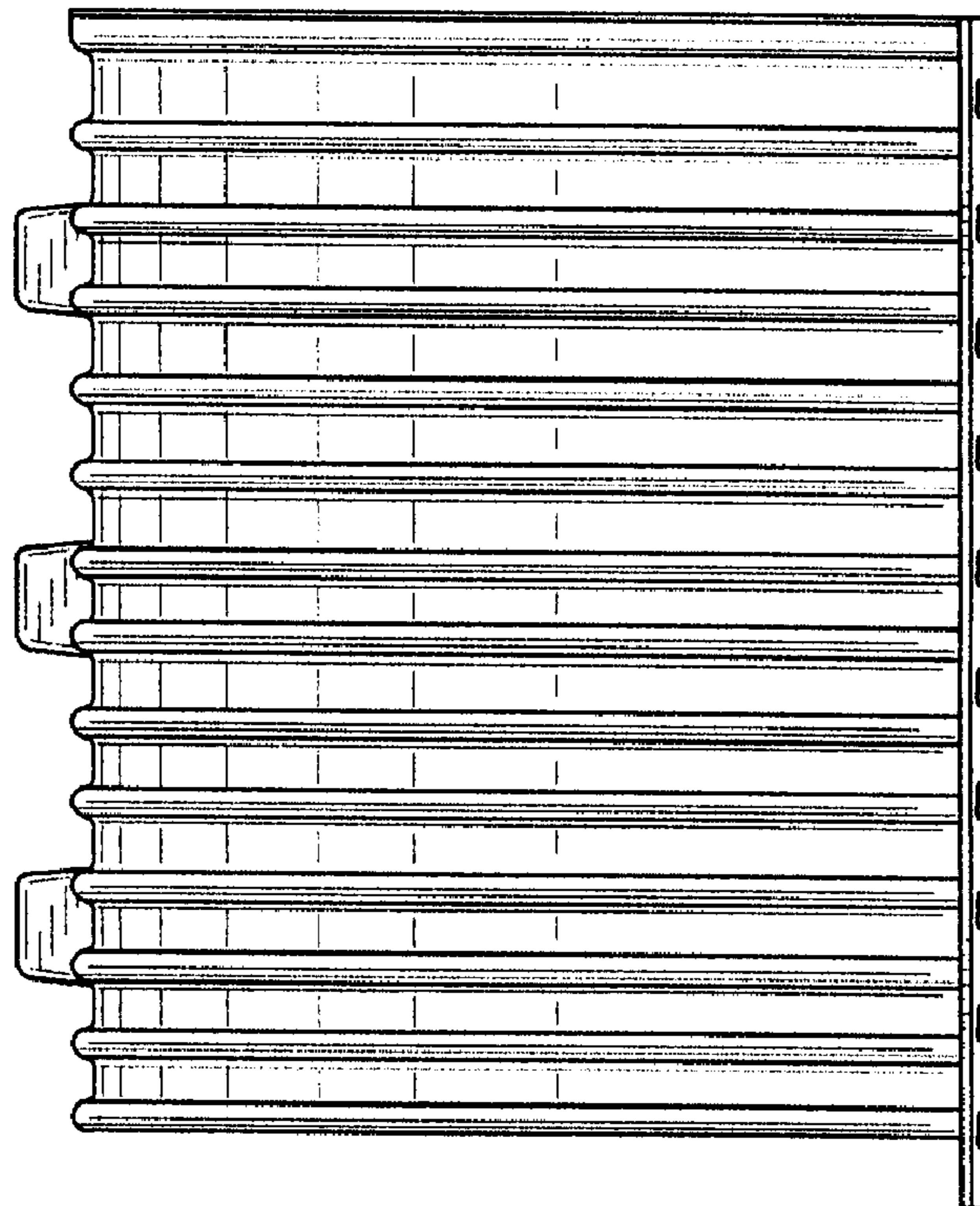
**FIG. 4**



**FIG. 5**



**FIG. 6**



**FIG. 7**