

US00D523962S

(12) **United States Design Patent**  
**Huang**

(10) **Patent No.:** **US D523,962 S**

(45) **Date of Patent:** **\*\* Jun. 27, 2006**

(54) **MESSAGE BRUSH**

(76) Inventor: **Chu-Chau Huang**, P.O. Box 26-757,  
Taipei 106 (TW)

(\*\*) Term: **14 Years**

(21) Appl. No.: **29/209,988**

(22) Filed: **Jul. 26, 2004**

(51) **LOC (8) Cl.** ..... **28-03**

(52) **U.S. Cl.** ..... **D24/214**

(58) **Field of Classification Search** ..... D24/200,  
D24/211-215; 601/118, 124, 131, 134-137  
See application file for complete search history.

(56) **References Cited**

**U.S. PATENT DOCUMENTS**

781,555	A	*	1/1905	Schanz	.....	601/131
3,368,554	A	*	2/1968	Chou	.....	601/137
D262,908	S	*	2/1982	Pesco	.....	D24/211
D273,708	S	*	5/1984	Haug	.....	D24/211
D403,430	S	*	12/1998	Chien	.....	D24/211
D418,920	S	*	1/2000	Chen	.....	D24/211
D419,680	S	*	1/2000	Chen	.....	D24/211

D435,661	S	*	12/2000	Chen	.....	D24/211
D438,975	S	*	3/2001	Chen	.....	D24/211
D499,186	S	*	11/2004	Chien	.....	D24/211
D499,810	S	*	12/2004	Chien	.....	D24/211
D510,440	S	*	10/2005	Huang	.....	D24/211

\* cited by examiner

*Primary Examiner*—Ian Simmons

*Assistant Examiner*—Melanie Levy

(74) *Attorney, Agent, or Firm*—Rosenberg Klein & Lee

(57) **CLAIM**

The ornamental design for a “massage brush,” as shown and described.

**DESCRIPTION**

FIG. 1 is a perspective view of a “massage brush” showing my new design;

FIG. 2 is a front view thereof;

FIG. 3 is a rear view thereof;

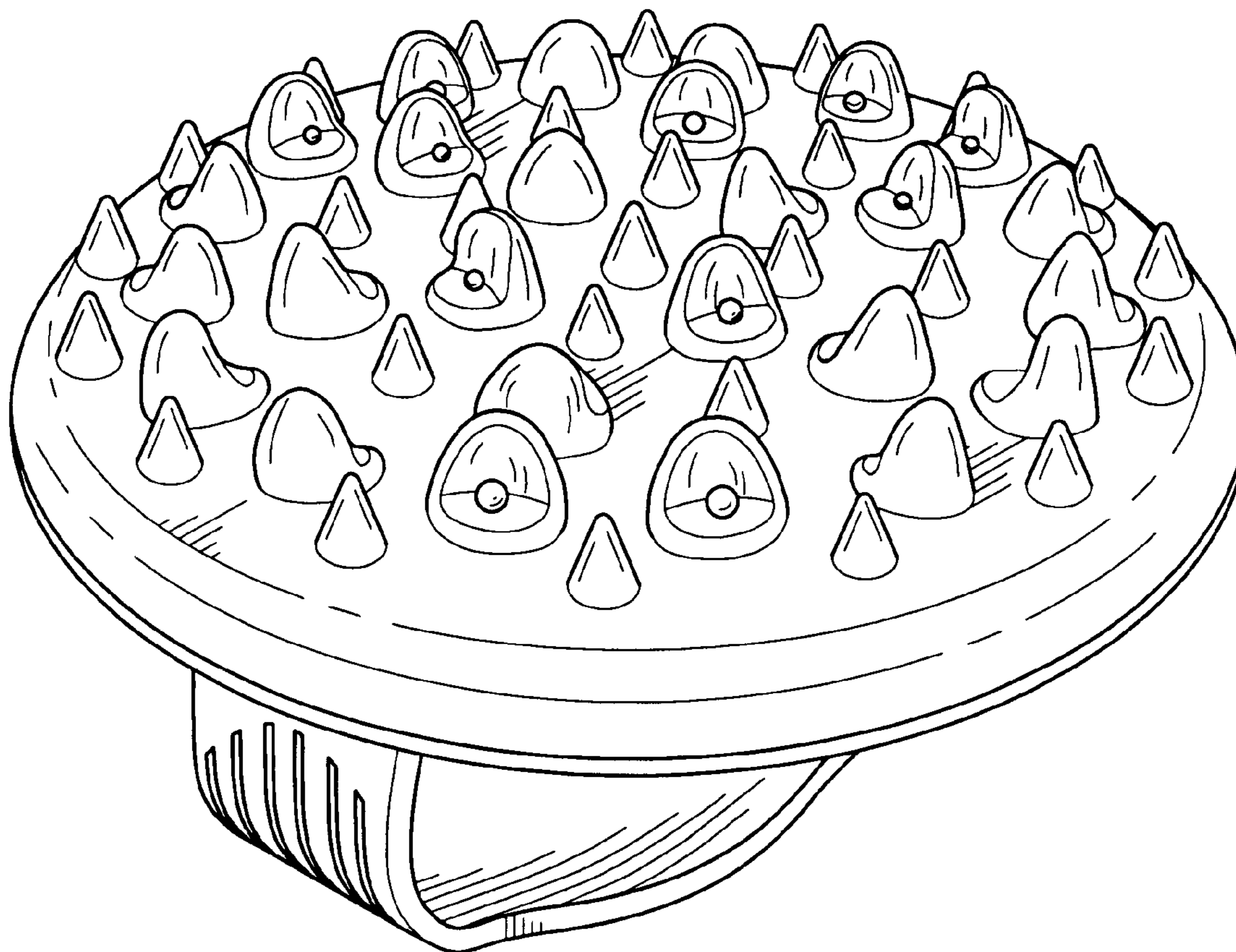
FIG. 4 is a left side view thereof;

FIG. 5 is a right side view thereof;

FIG. 6 is a top view thereof; and,

FIG. 7 is a bottom view thereof.

**1 Claim, 5 Drawing Sheets**



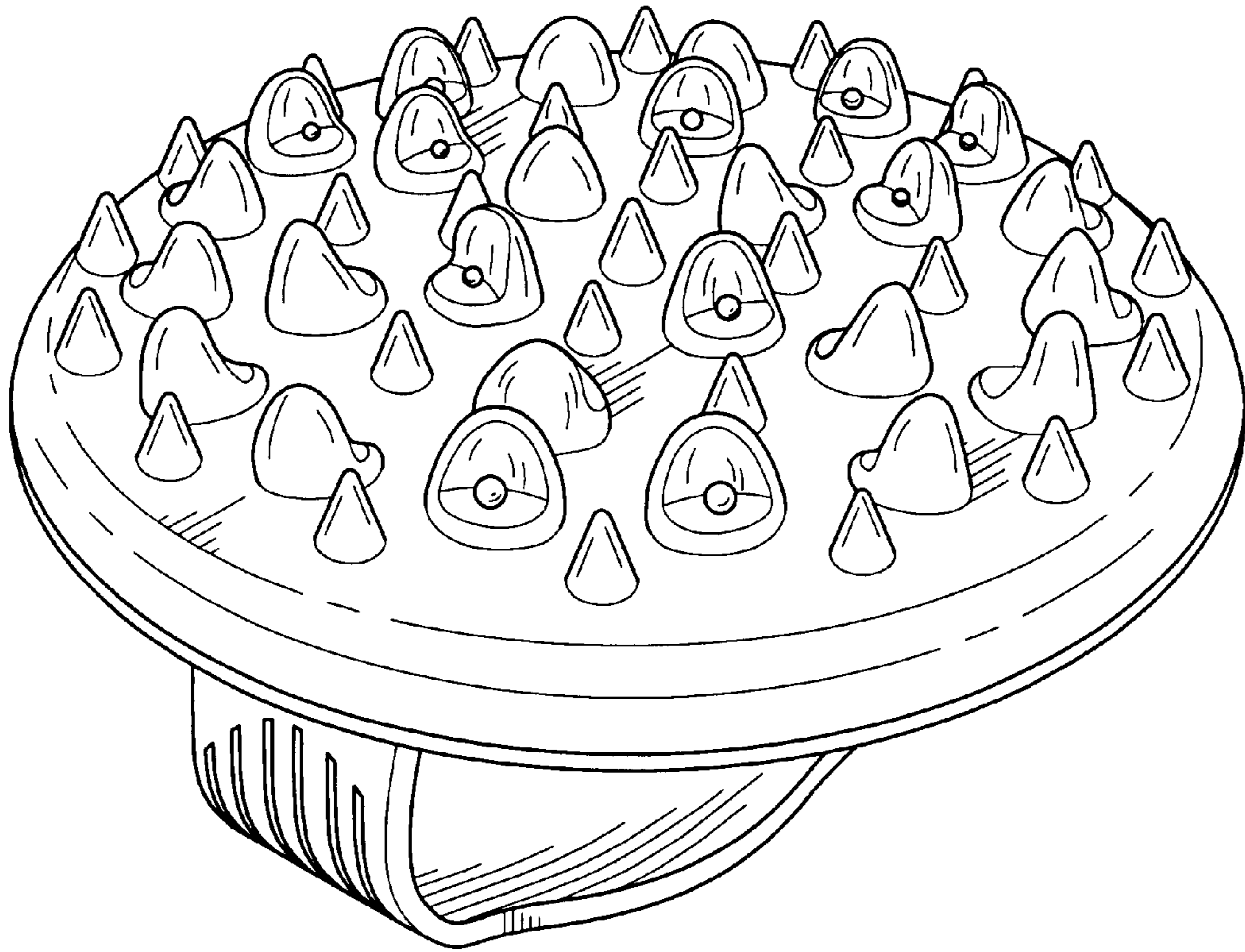


FIG. 1

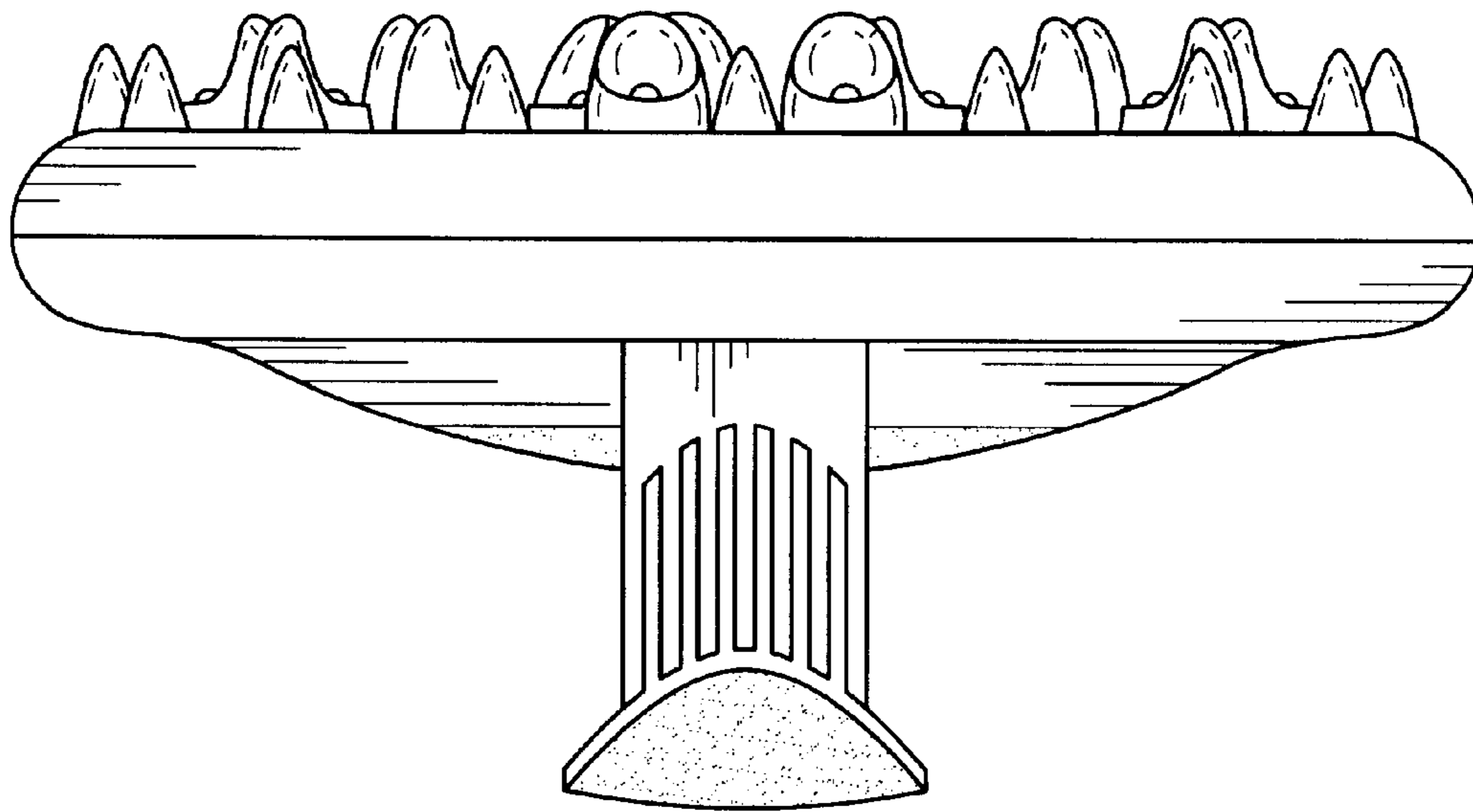


FIG. 2

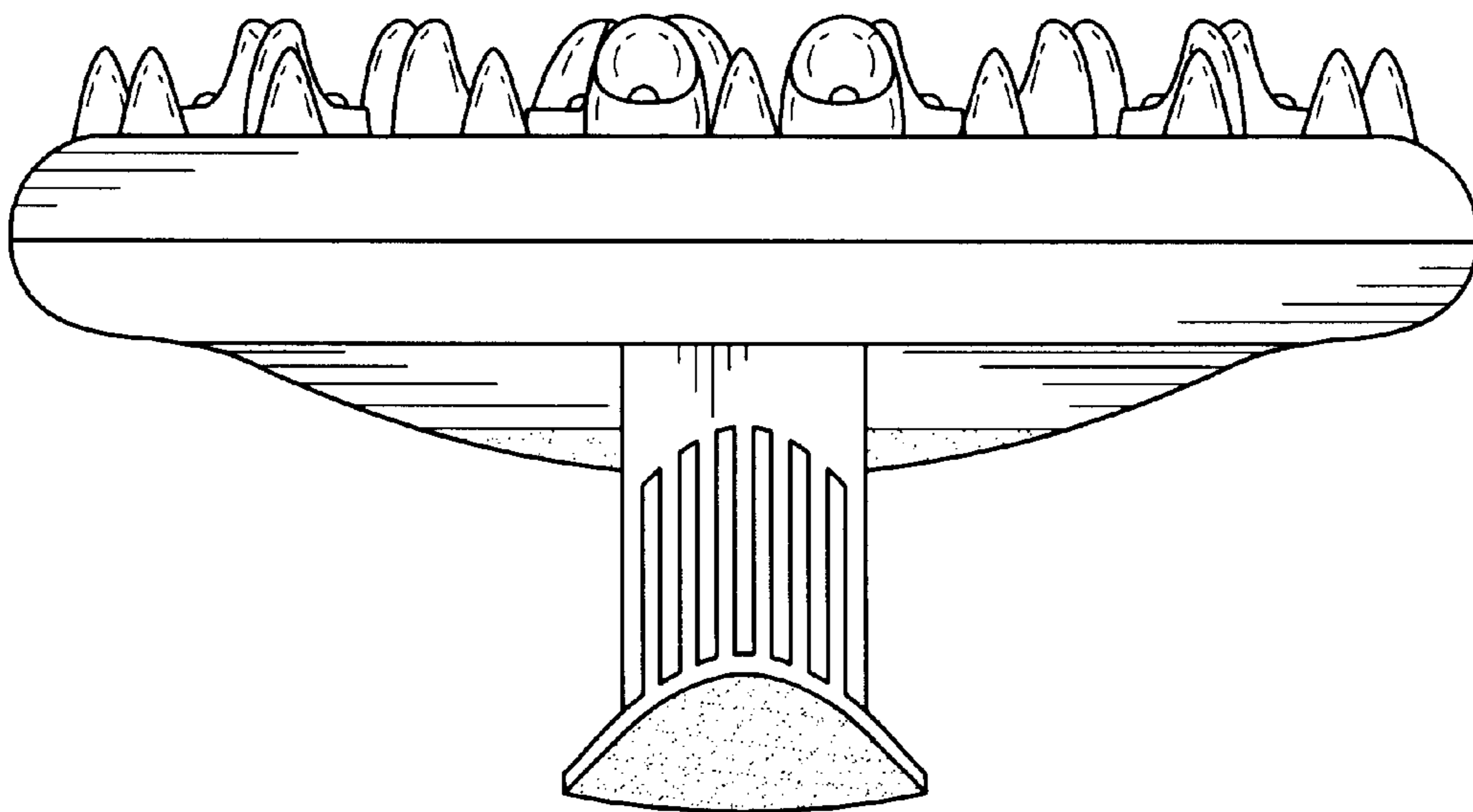


FIG. 3

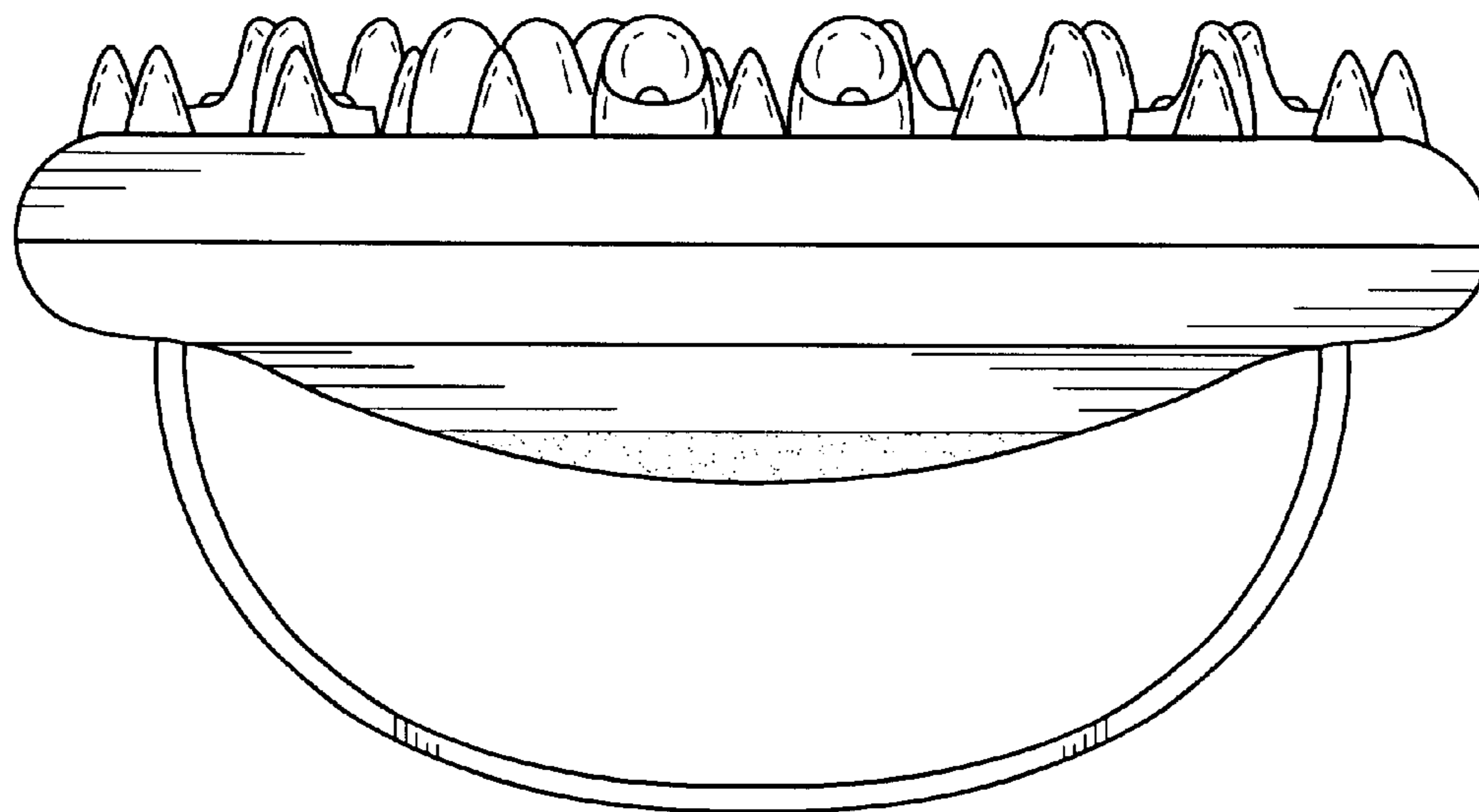


FIG. 4

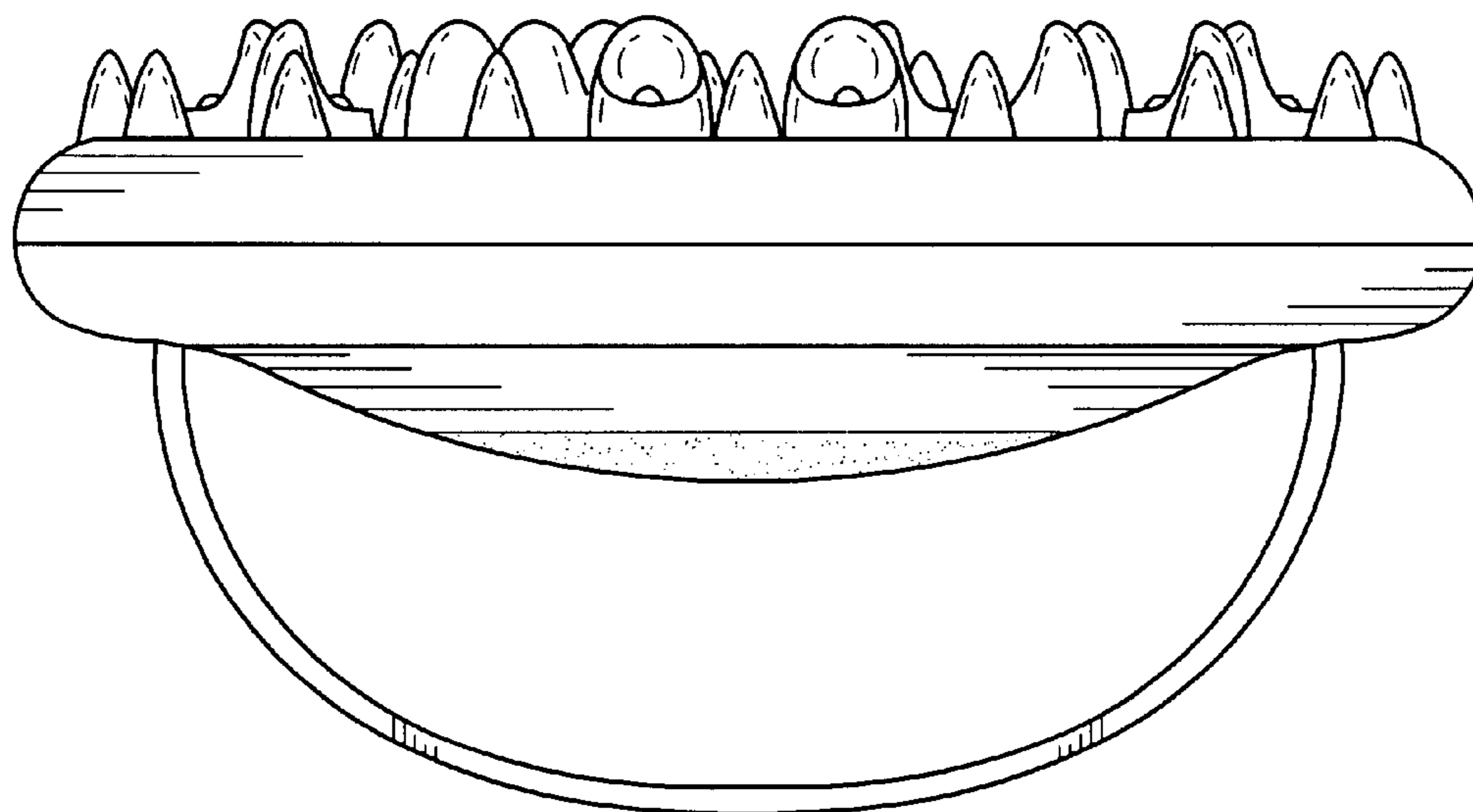


FIG. 5

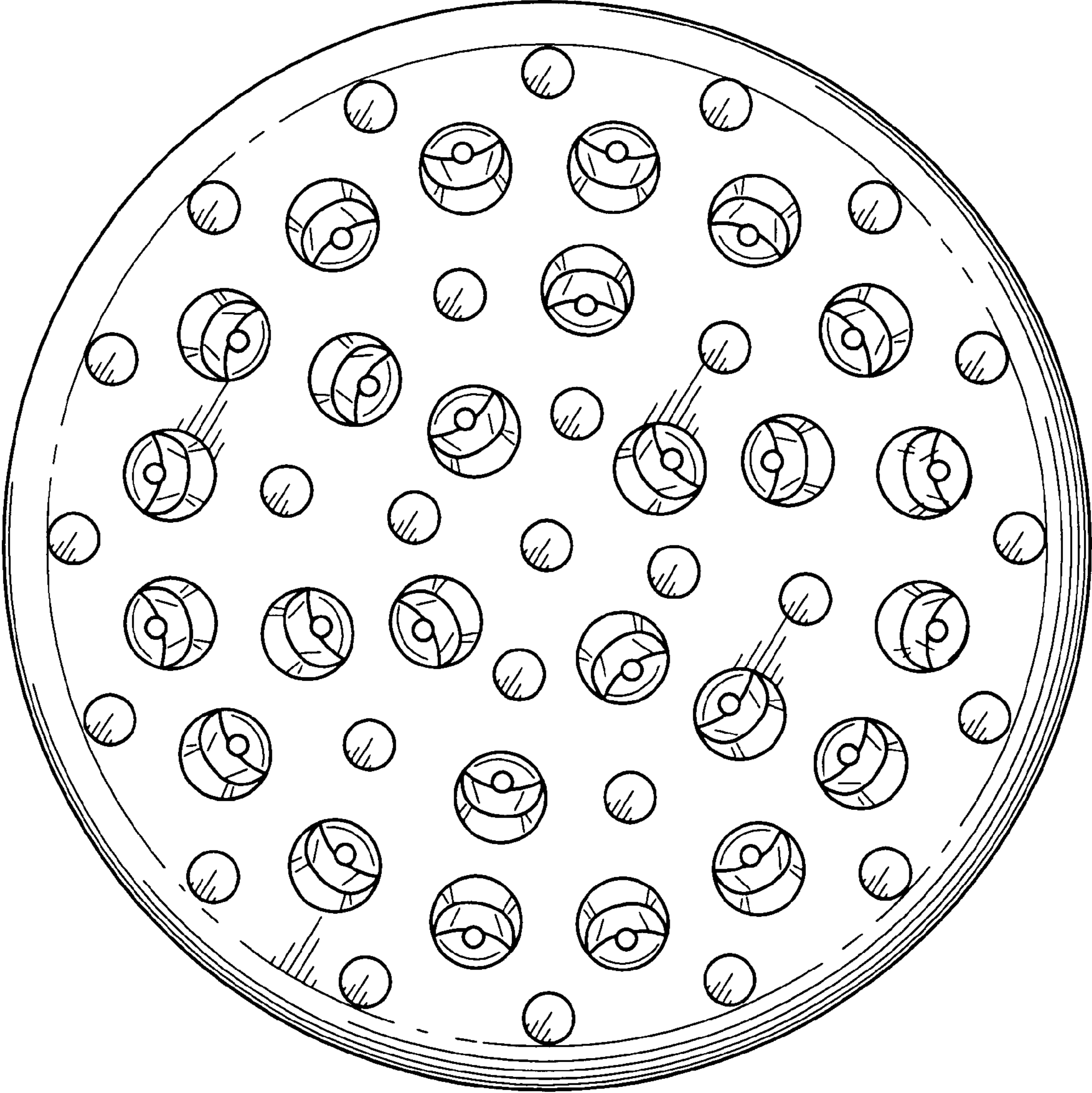


FIG. 6

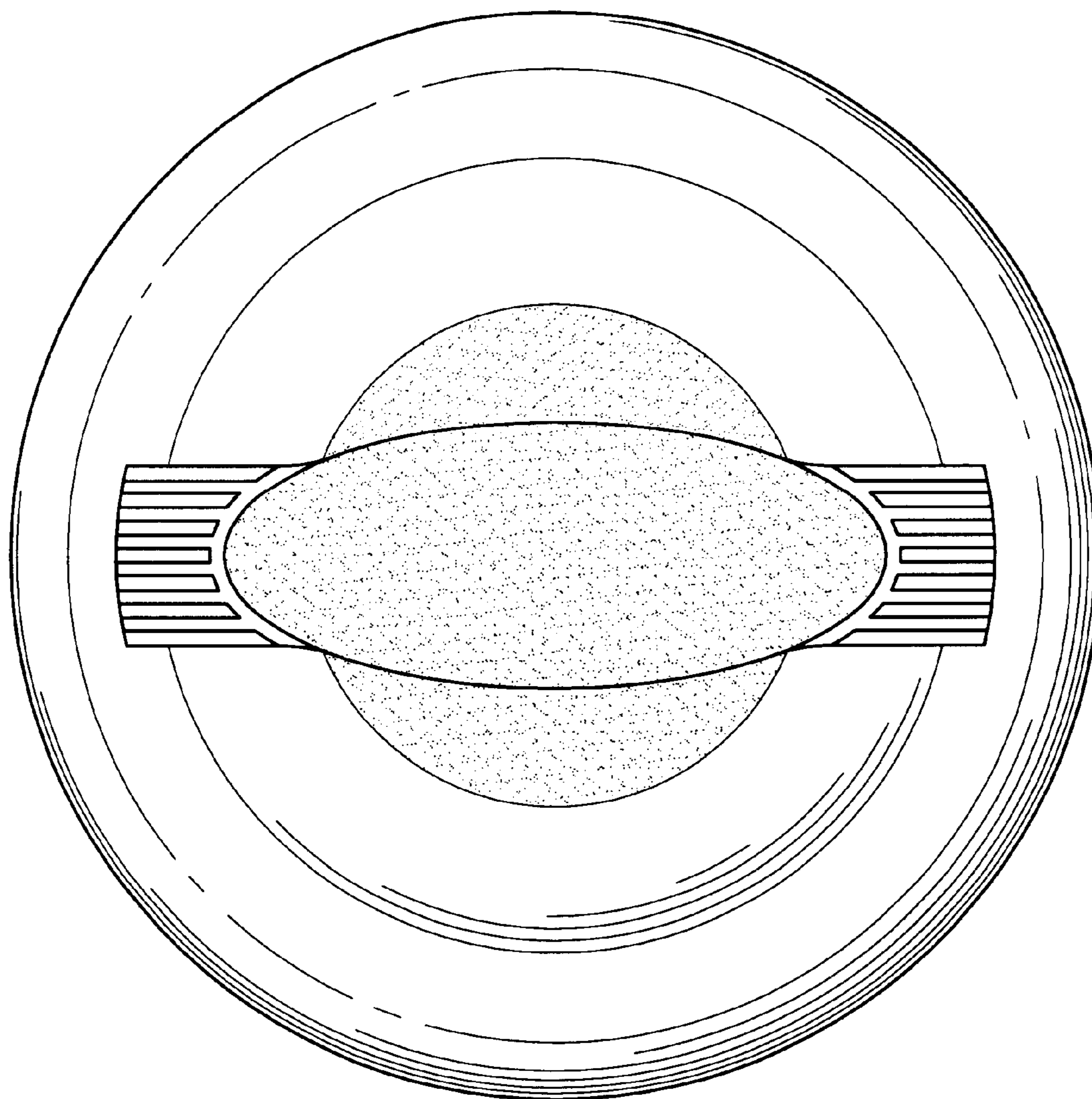


FIG. 7