



US00D523960S

(12) **United States Design Patent**
Kitayama et al.

(10) **Patent No.:** **US D523,960 S**

(45) **Date of Patent:** **** Jun. 27, 2006**

(54) **DIAGNOSTIC BED**

(75) Inventors: **Masahiko Kitayama**, Mitaka (JP);
Shigeru Usuda, Moka (JP)

(73) Assignees: **Kabushiki Kaisha Toshiba** (JP);
Toshiba Medical Systems Corporation
(JP)

(**) **Term:** **14 Years**

(21) **Appl. No.:** **29/213,418**

(22) **Filed:** **Sep. 17, 2004**

(30) **Foreign Application Priority Data**

Apr. 7, 2004 (JP) 2004-010743

(51) **LOC (8) Cl.** **24-01**

(52) **U.S. Cl.** **D24/183**

(58) **Field of Classification Search** D24/158,
D24/159, 183, 184; 378/4, 15, 17, 19, 20,
378/21-27; 5/600, 601; D6/382

See application file for complete search history.

(56) **References Cited**

U.S. PATENT DOCUMENTS

D270,182 S * 8/1983 Wagner D24/159
4,568,071 A * 2/1986 Rice 5/601
4,575,064 A * 3/1986 Menor 5/600
4,926,456 A * 5/1990 Bock et al. 5/601

5,149,074 A * 9/1992 Jarin 5/601
D345,606 S * 3/1994 Perusek D24/159
5,337,231 A * 8/1994 Nowak et al. 378/20

FOREIGN PATENT DOCUMENTS

DE 40009025-2 3/2001
JP 782103 2/1990
JP 864808-2 7/1994
JP 966652 10/1996
JP 1107887 5/2001

* cited by examiner

Primary Examiner—Louis S. Zarfes

Assistant Examiner—Daniel Yu

(74) *Attorney, Agent, or Firm*—Banner & Witcoff, Ltd.

(57) **CLAIM**

The ornamental design for a diagnostic bed, as shown and described.

DESCRIPTION

FIG. 1 is a front, top and left side perspective view of a diagnostic bed, showing our new design;

FIG. 2 is a front elevational view thereof; the opposite side being a mirror image thereof;

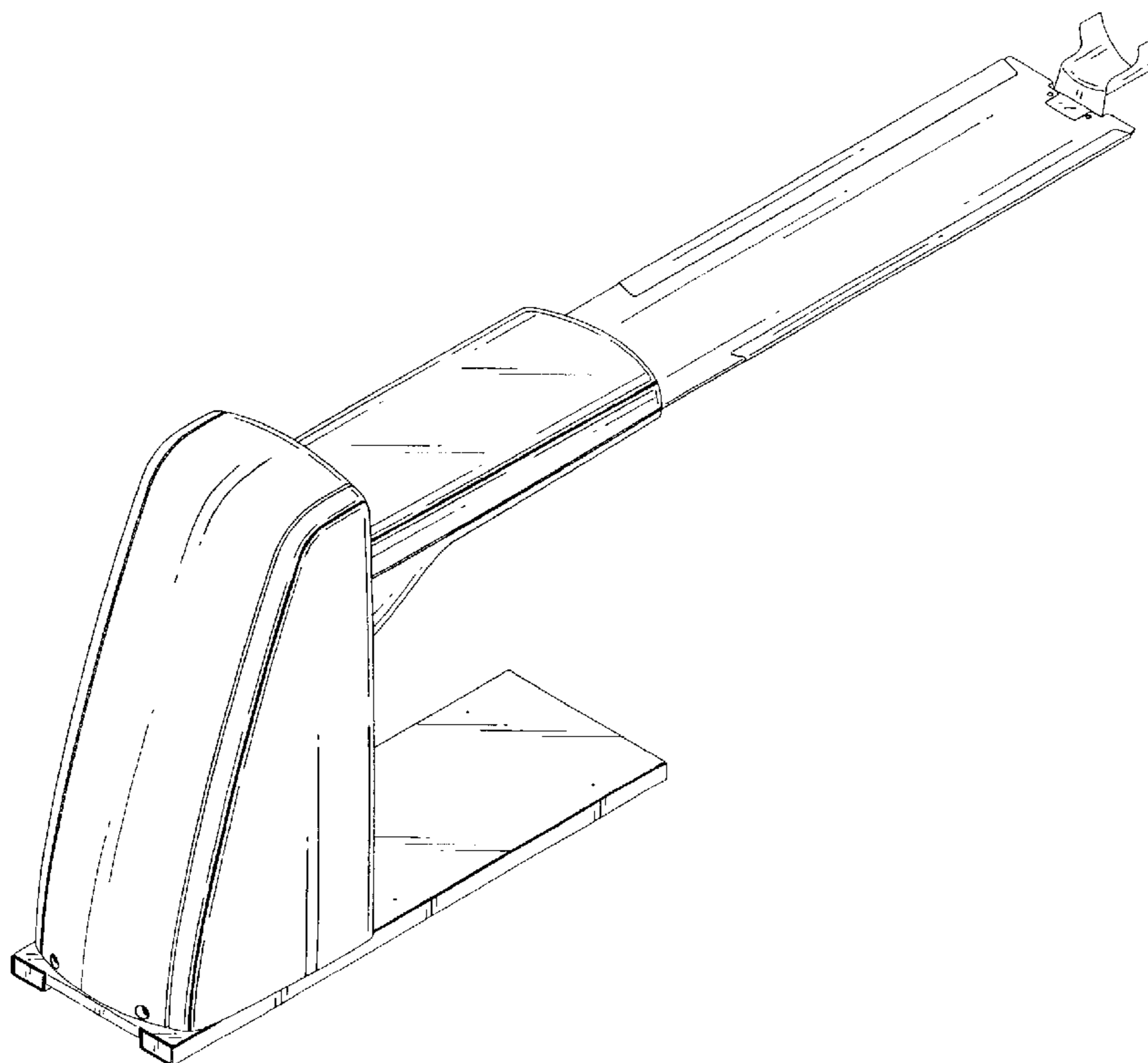
FIG. 3 is a top plan view thereof;

FIG. 4 is a bottom plan view thereof;

FIG. 5 is a left side elevational view thereof; and,

FIG. 6 is a right side elevational view thereof.

1 Claim, 2 Drawing Sheets



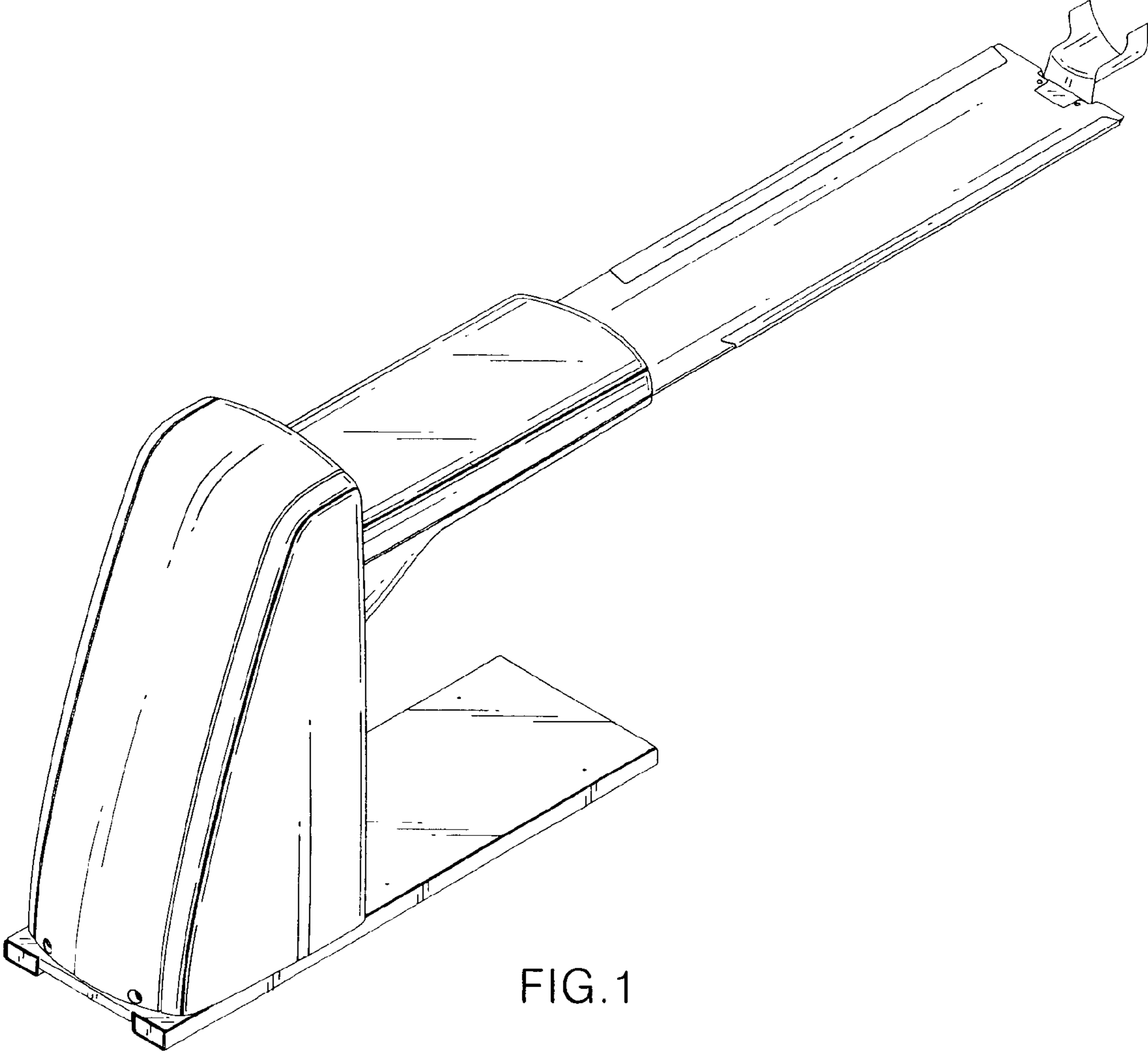


FIG. 1

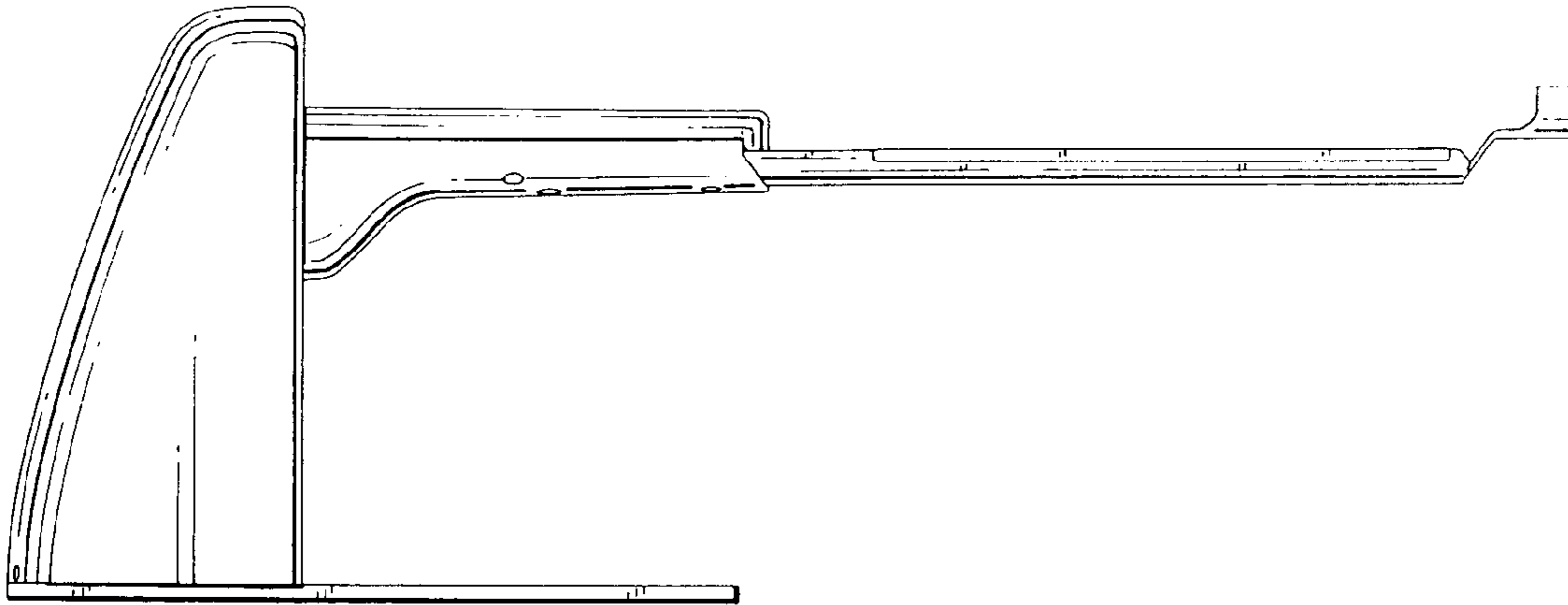


FIG. 2

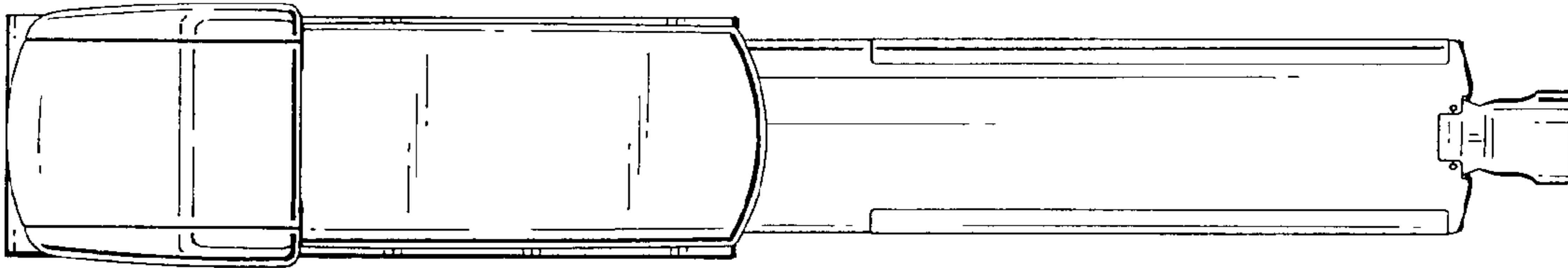


FIG. 3

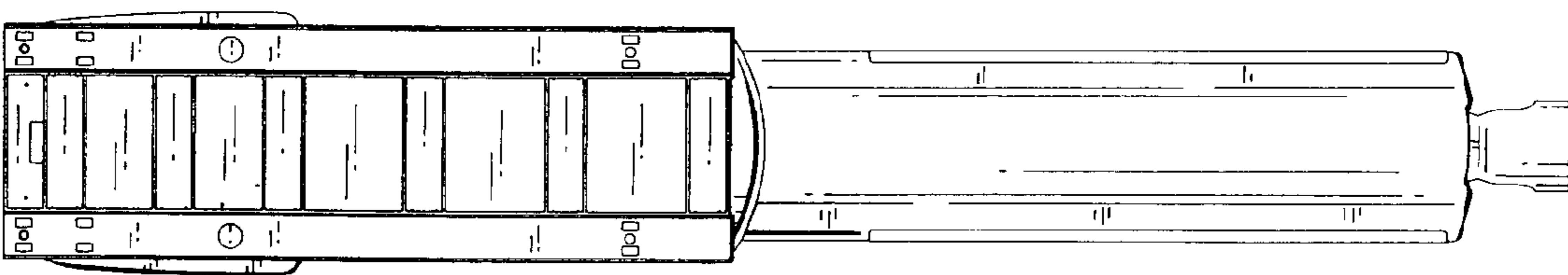


FIG. 4

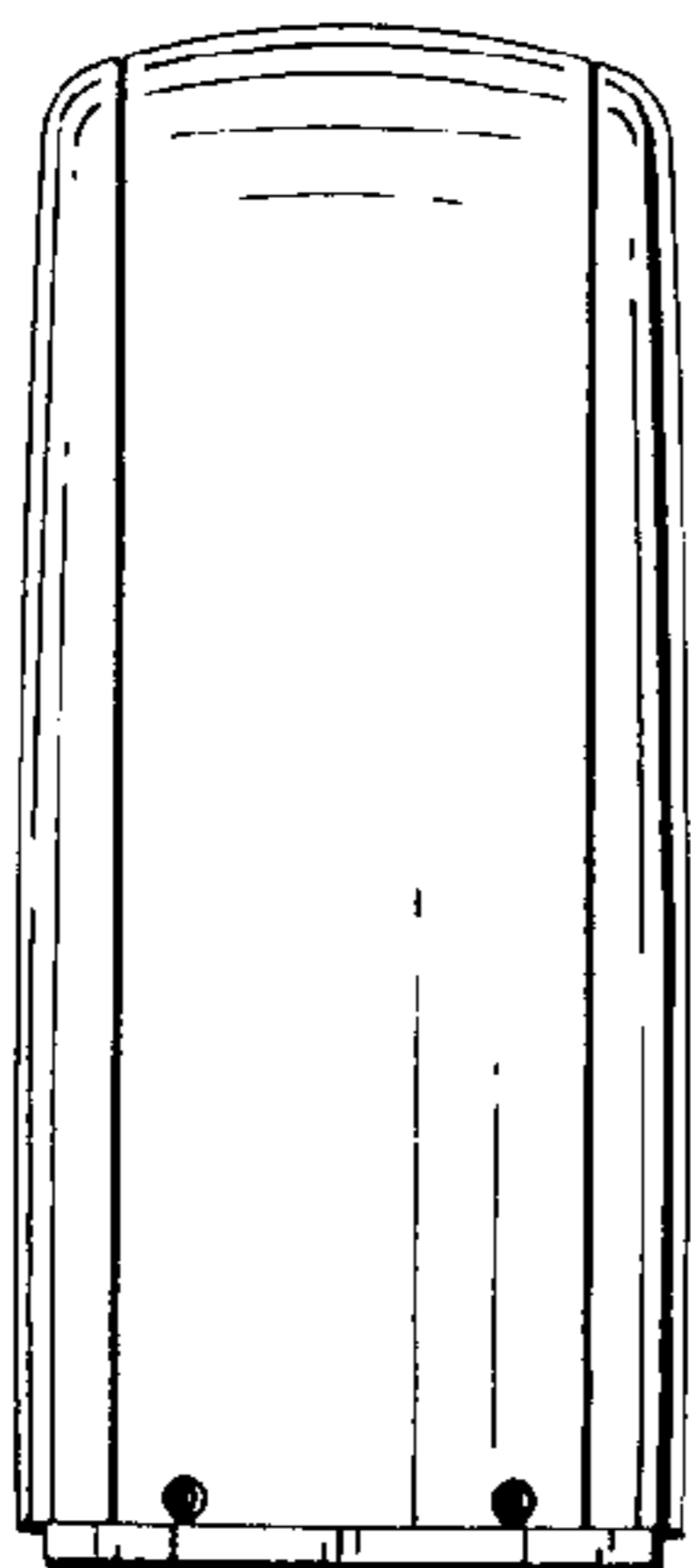


FIG. 5

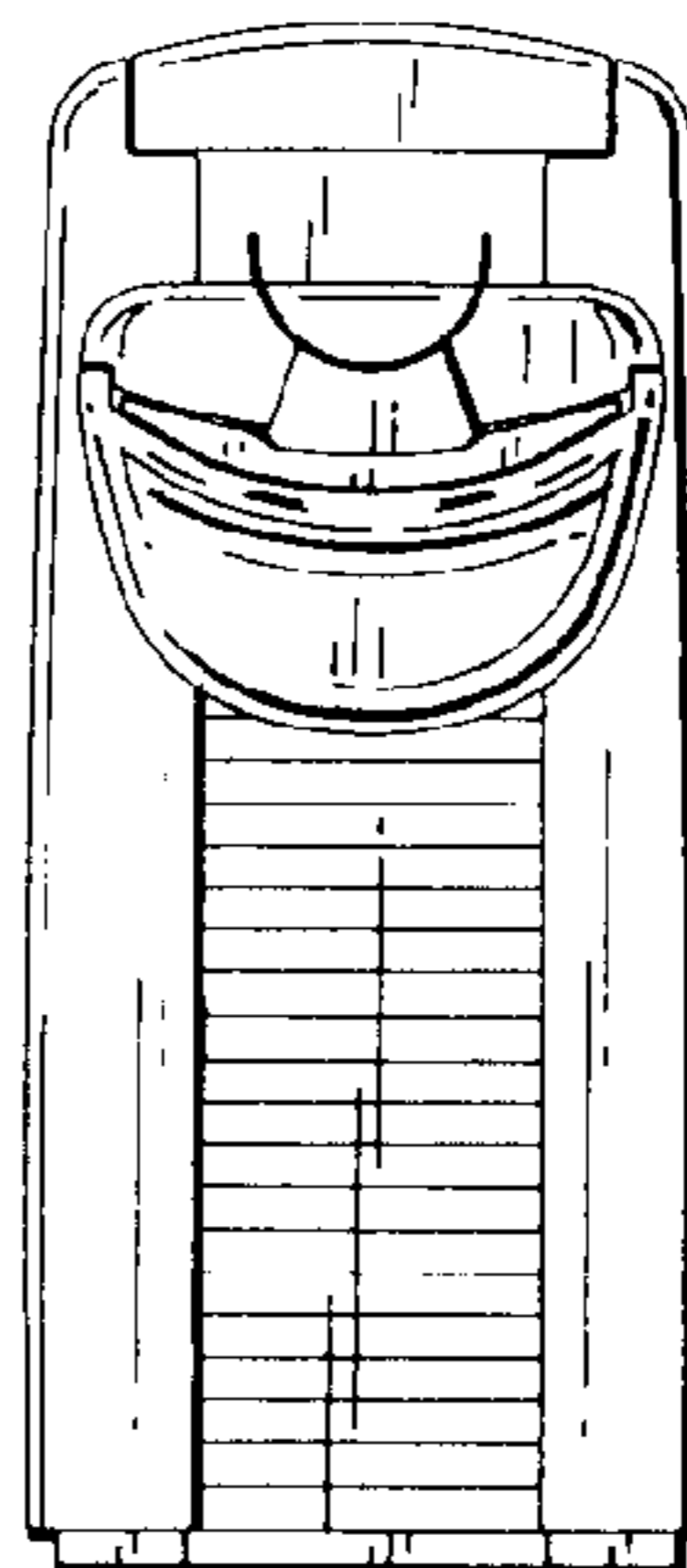


FIG. 6