



US00D523959S

(12) **United States Design Patent**  
**Muehlenberend**

(10) **Patent No.:** **US D523,959 S**  
(45) **Date of Patent:** **\*\* Jun. 27, 2006**

(54) **KNEE JOINT FOR PROSTHESIS**  
(75) Inventor: **Andreas Muehlenberend**, Leipzig (DE)  
(73) Assignee: **Otto Bock HealthCare GmbH**,  
Duderstadt (DE)  
(\*\*) Term: **14 Years**

2002/0045946 A1 \* 4/2002 Habecker ..... 623/18.11  
2005/0154473 A1 \* 7/2005 Bassett ..... 623/39  
\* cited by examiner

*Primary Examiner*—Charles A. Rademaker  
(74) *Attorney, Agent, or Firm*—Whitman, Curtis,  
Christofferson & Cook PC

(21) Appl. No.: **29/219,732**  
(22) Filed: **Dec. 22, 2004**

(57) **CLAIM**

I claim the ornamental design for a knee joint for prosthesis,  
as shown and described.

(30) **Foreign Application Priority Data**

Jun. 28, 2004 (EP) ..... 000195250

**DESCRIPTION**

(51) **LOC (8) Cl.** ..... **24-03**  
(52) **U.S. Cl.** ..... **D24/155**  
(58) **Field of Classification Search** ..... D24/107,  
D24/155, 156, 157, 152; 606/60, 64, 69-72,  
606/74, 76, 151; 623/13.12, 18.11, 20.14-20.36,  
623/36, 39  
See application file for complete search history.

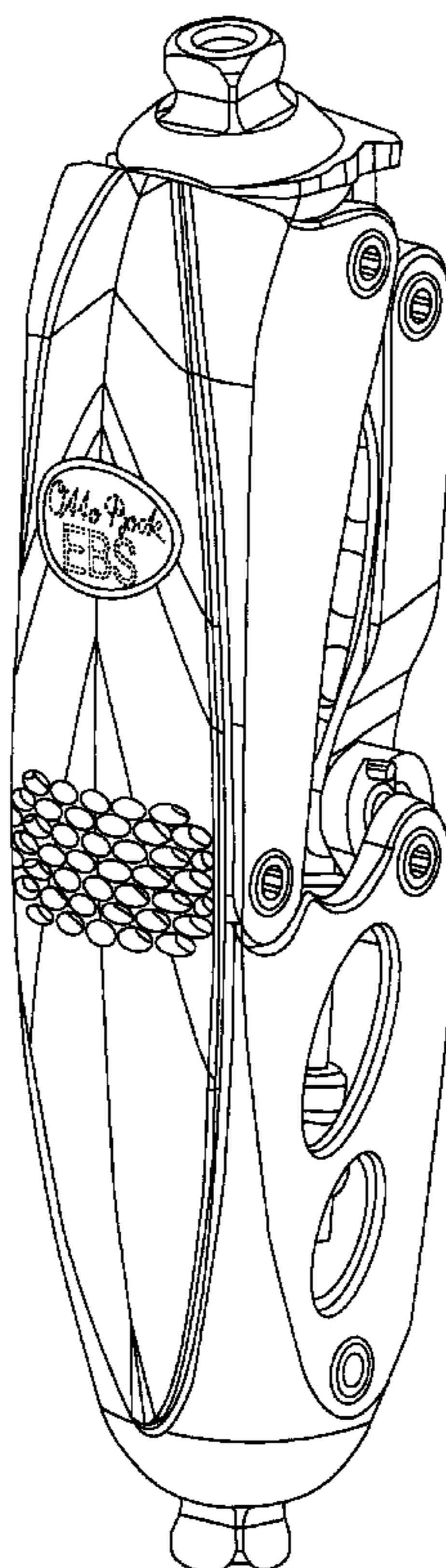
FIG. 1 is a left perspective view of the knee joint for prosthesis;  
FIG. 2 is a right side perspective view of the knee joint for prosthesis;  
FIG. 3 is a back perspective view of the knee joint for prosthesis;  
FIG. 4 is a top perspective view of the knee joint for prosthesis;  
FIG. 5 is a bottom perspective view of the knee joint for prosthesis;  
FIG. 6 is an isometric view of the knee joint for prosthesis;  
and,  
FIG. 7 is an enlarged view of the joint portion of the knee joint for prosthesis.  
The broken line showing of portions of the design is for illustrative purpose only and form no part of the claimed design.

(56) **References Cited**

**U.S. PATENT DOCUMENTS**

4,911,709 A \* 3/1990 Marlow et al. .... 623/39  
5,545,232 A \* 8/1996 Van de Veen ..... 623/39  
D383,542 S \* 9/1997 Wellershaus et al. .... D24/155  
D402,368 S \* 12/1998 Holzapfel ..... D24/155  
D439,339 S \* 3/2001 Sawatzki ..... D24/155  
D446,304 S \* 8/2001 Sawatzki et al. .... D24/155  
D499,487 S \* 12/2004 Bedard et al. .... D24/155

**1 Claim, 6 Drawing Sheets**



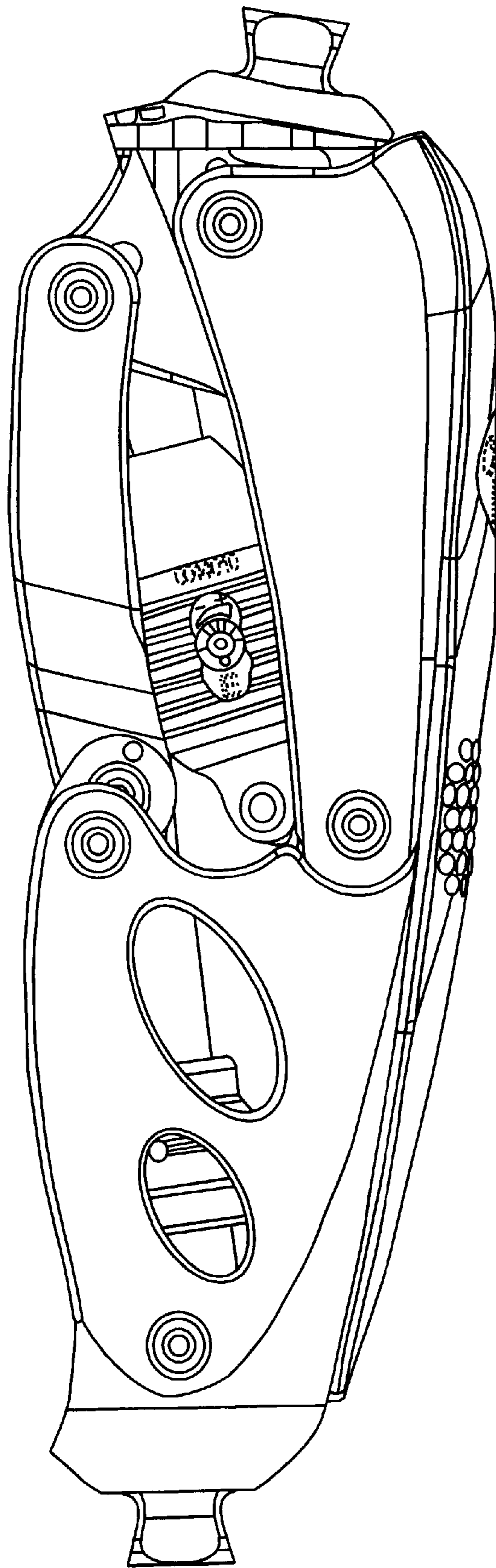


FIG. 1

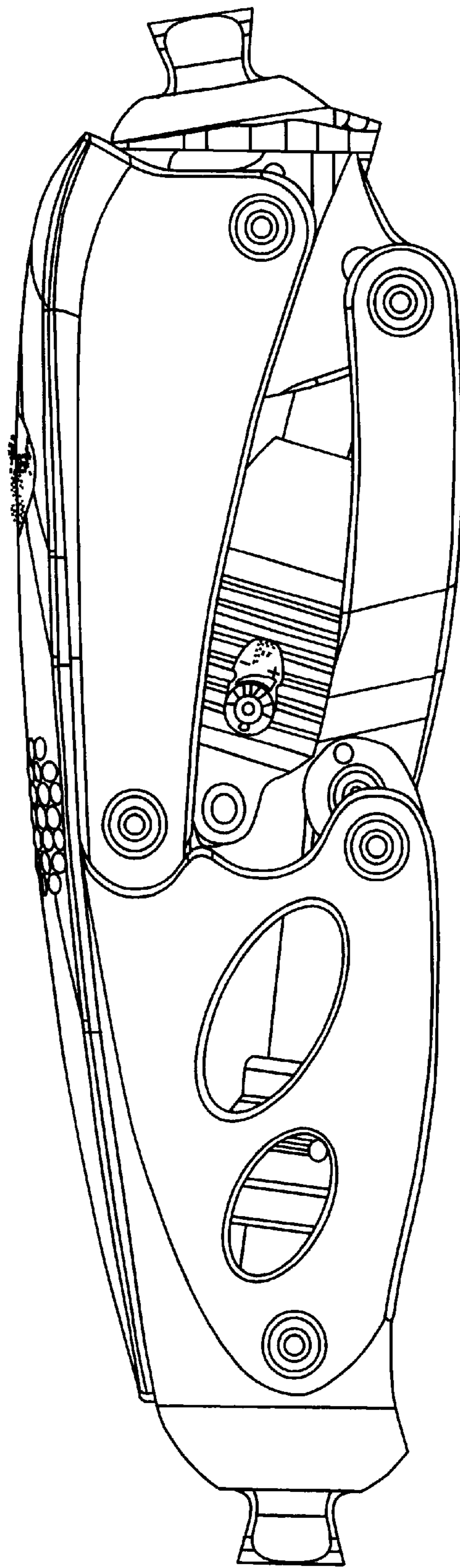


FIG. 2

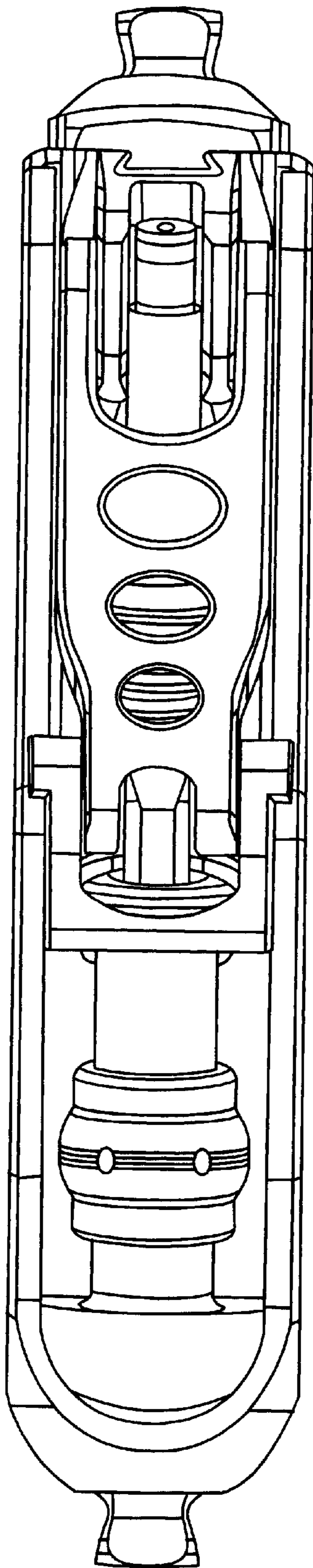


FIG. 3

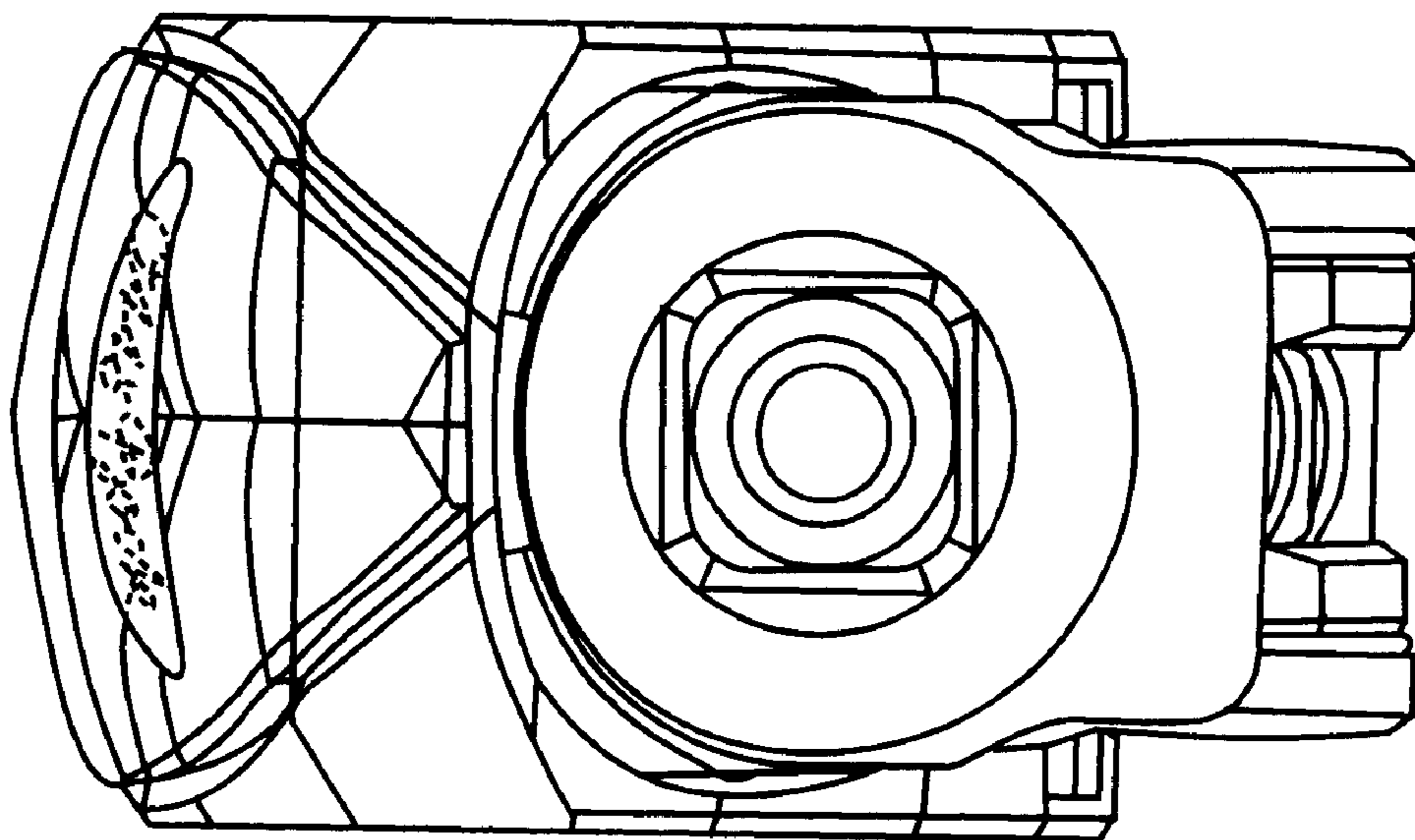


FIG. 4

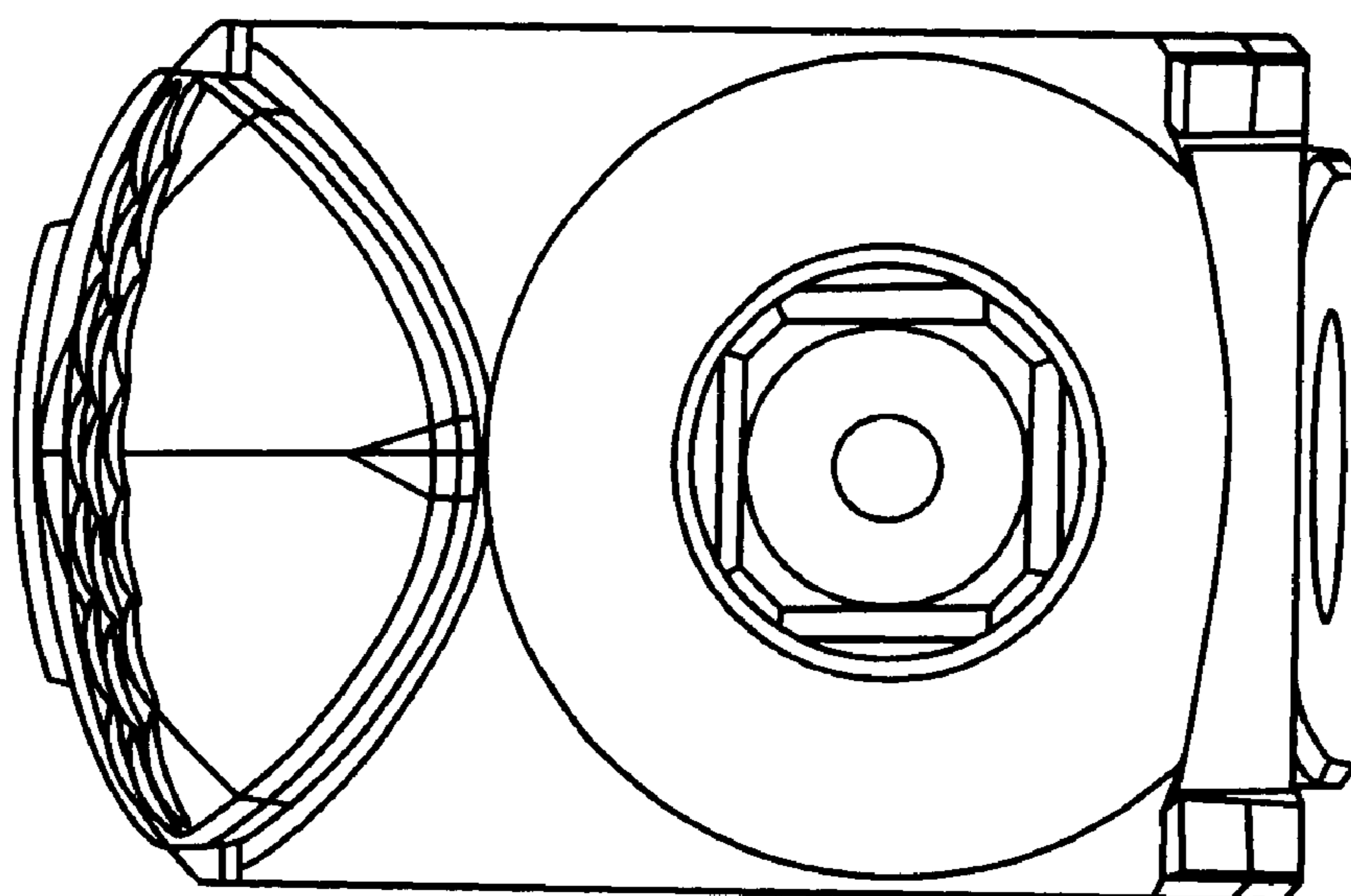


FIG. 5

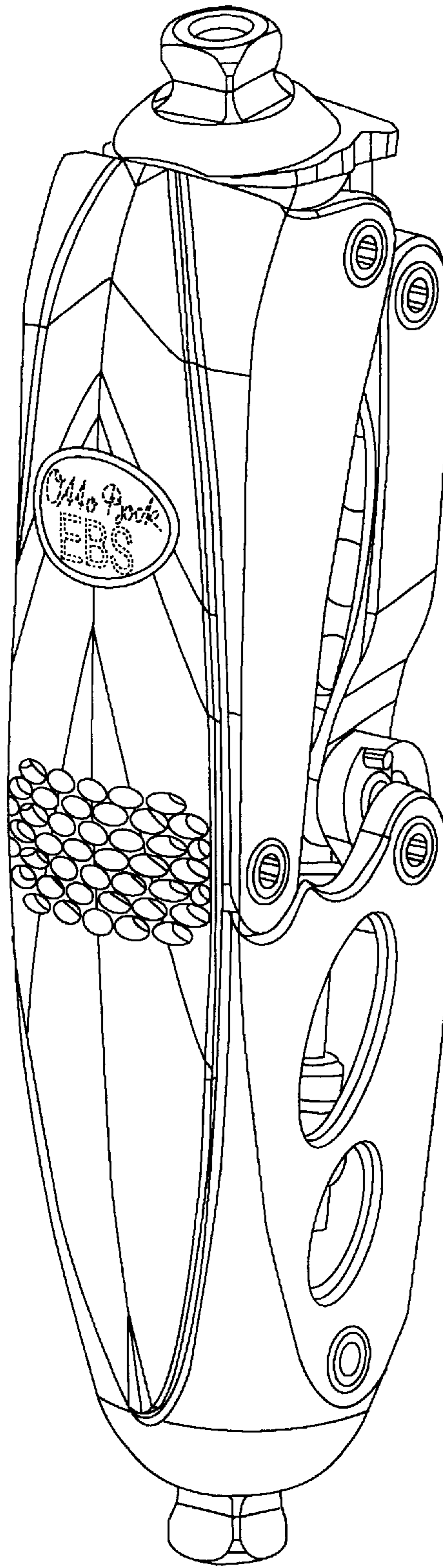


FIG. 6

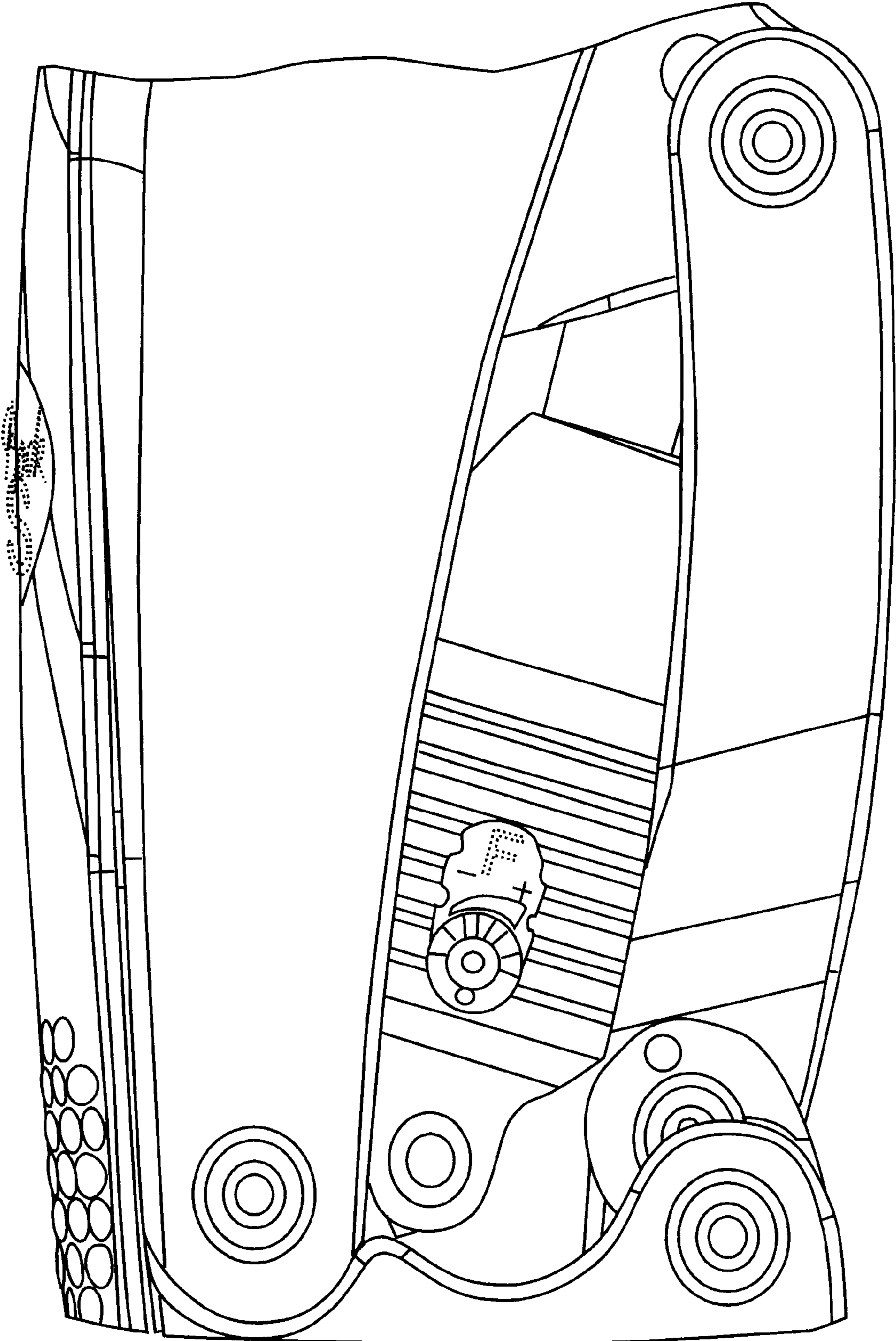


FIG. 7