



US00D523958S

(12) **United States Design Patent**  
**Fang**

(10) **Patent No.:** **US D523,958 S**  
(45) **Date of Patent:** **\*\* Jun. 27, 2006**

(54) **RING**

(76) Inventor: **Chia-Feng Fang**, No. 6 Alley 5, Lane  
302, Junghua S. Rd., Sec. 2, Tainan  
City (TW)

(\*\*) Term: **14 Years**

(21) Appl. No.: **29/216,402**

(22) Filed: **Nov. 2, 2004**

(51) **LOC (8) Cl.** ..... **24-02**

(52) **U.S. Cl.** ..... **D24/143; D24/105; D24/215**

(58) **Field of Classification Search** ..... D24/105,  
D24/143, 215; 128/842, 844, 918; 601/69,  
601/70, 79; 600/38, 39

See application file for complete search history.

(56) **References Cited**

**U.S. PATENT DOCUMENTS**

5,524,638 A \* 6/1996 Lyons ..... 128/844  
D463,751 S \* 10/2002 Wilkinson ..... D24/215  
6,490,885 B1 \* 12/2002 Wilkinson ..... 601/70  
D496,458 S 9/2004 Lin ..... D24/143  
6,790,189 B1 9/2004 Kobayashi et al. .... 601/70

6,863,649 B1 \* 3/2005 Yasue ..... 600/38  
6,907,883 B1 6/2005 Lin ..... 128/844  
2005/0155609 A1 \* 7/2005 Lin ..... 128/844  
2005/0283044 A1 \* 12/2005 Chang ..... 600/38

\* cited by examiner

*Primary Examiner*—Ian Simmons

*Assistant Examiner*—Melanie Levy

(74) *Attorney, Agent, or Firm*—Alan D. Kamrath; Nikolai  
& Mersereau, P.A.

(57) **CLAIM**

The ornamental design for an ring, as shown and described.

**DESCRIPTION**

FIG. 1 is a perspective view of an ring showing my new  
design;

FIG. 2 is a front elevational view thereof;

FIG. 3 is a rear elevational view thereof;

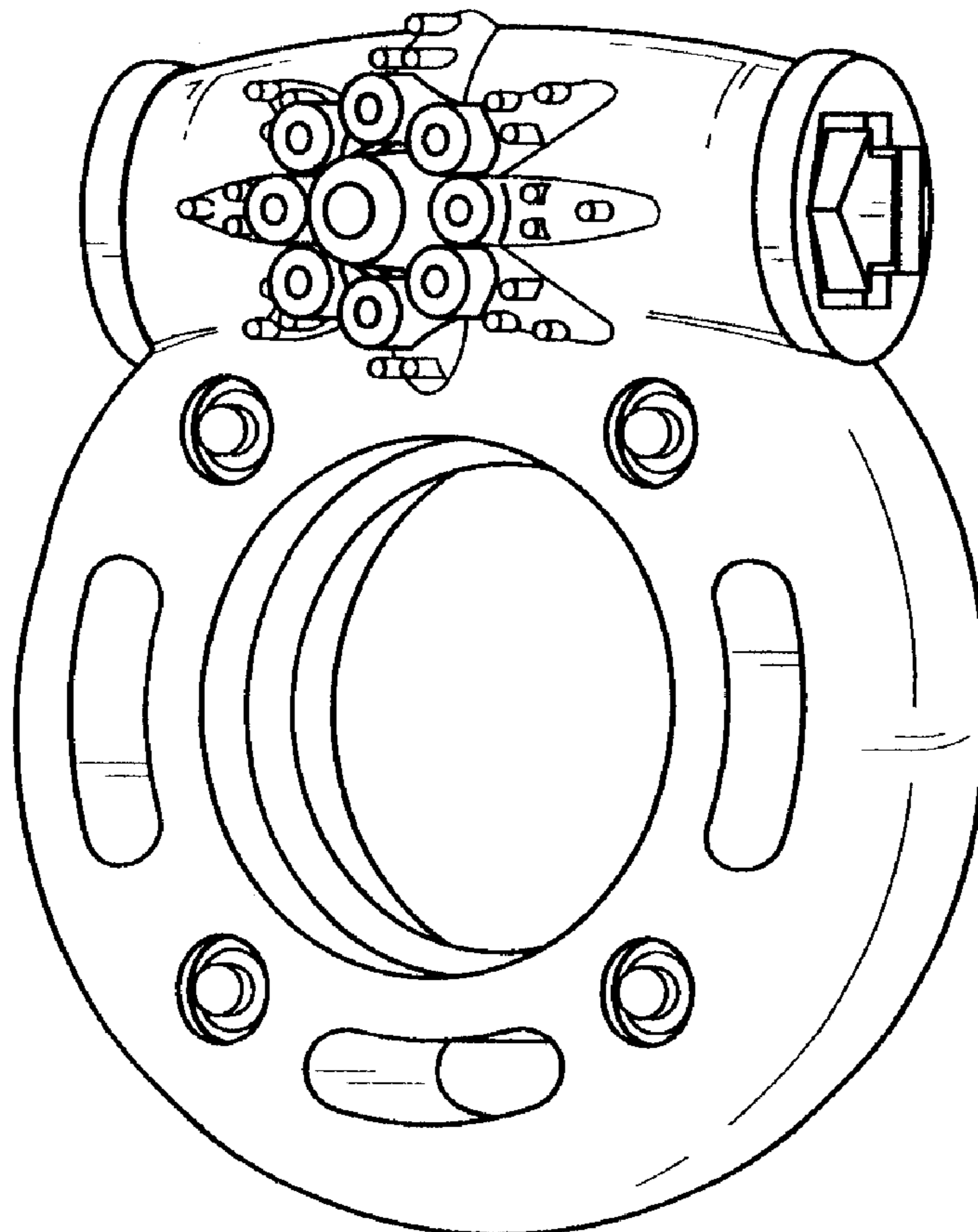
FIG. 4 is a left side elevational view thereof;

FIG. 5 is a right side elevational view thereof;

FIG. 6 is a top plan view thereof; and,

FIG. 7 is a bottom plan view thereof.

**1 Claim, 3 Drawing Sheets**



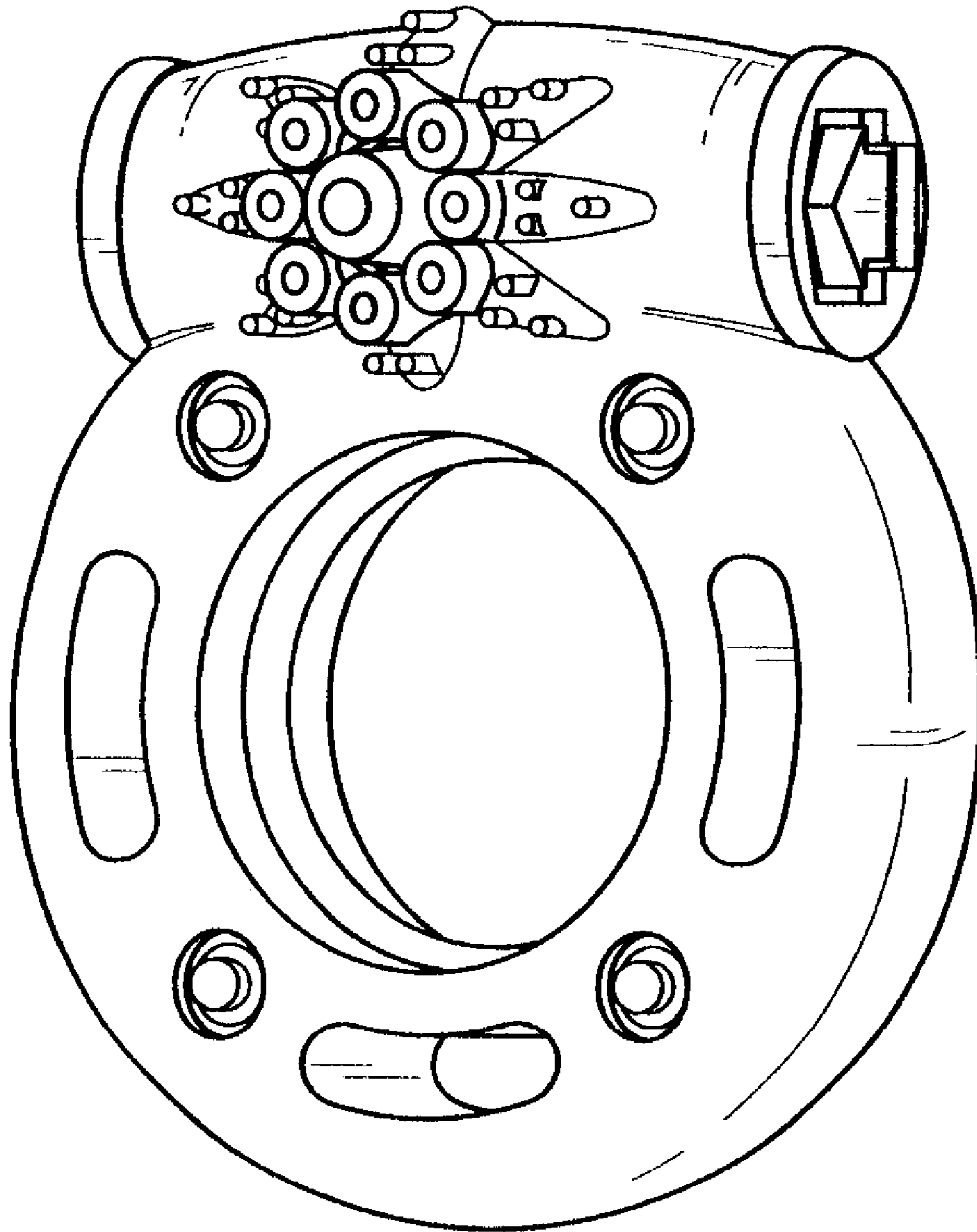


FIG. 1

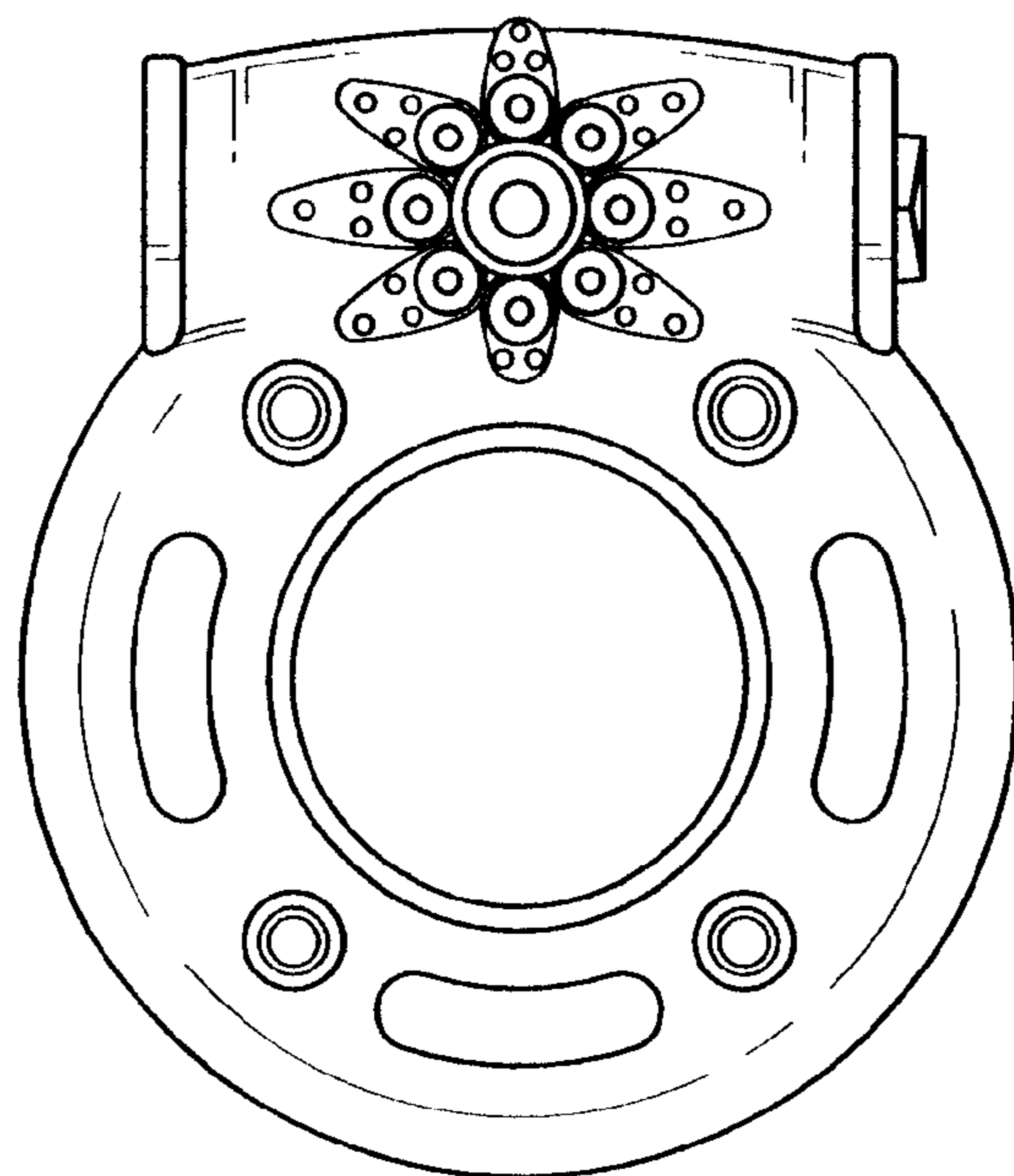


FIG. 2

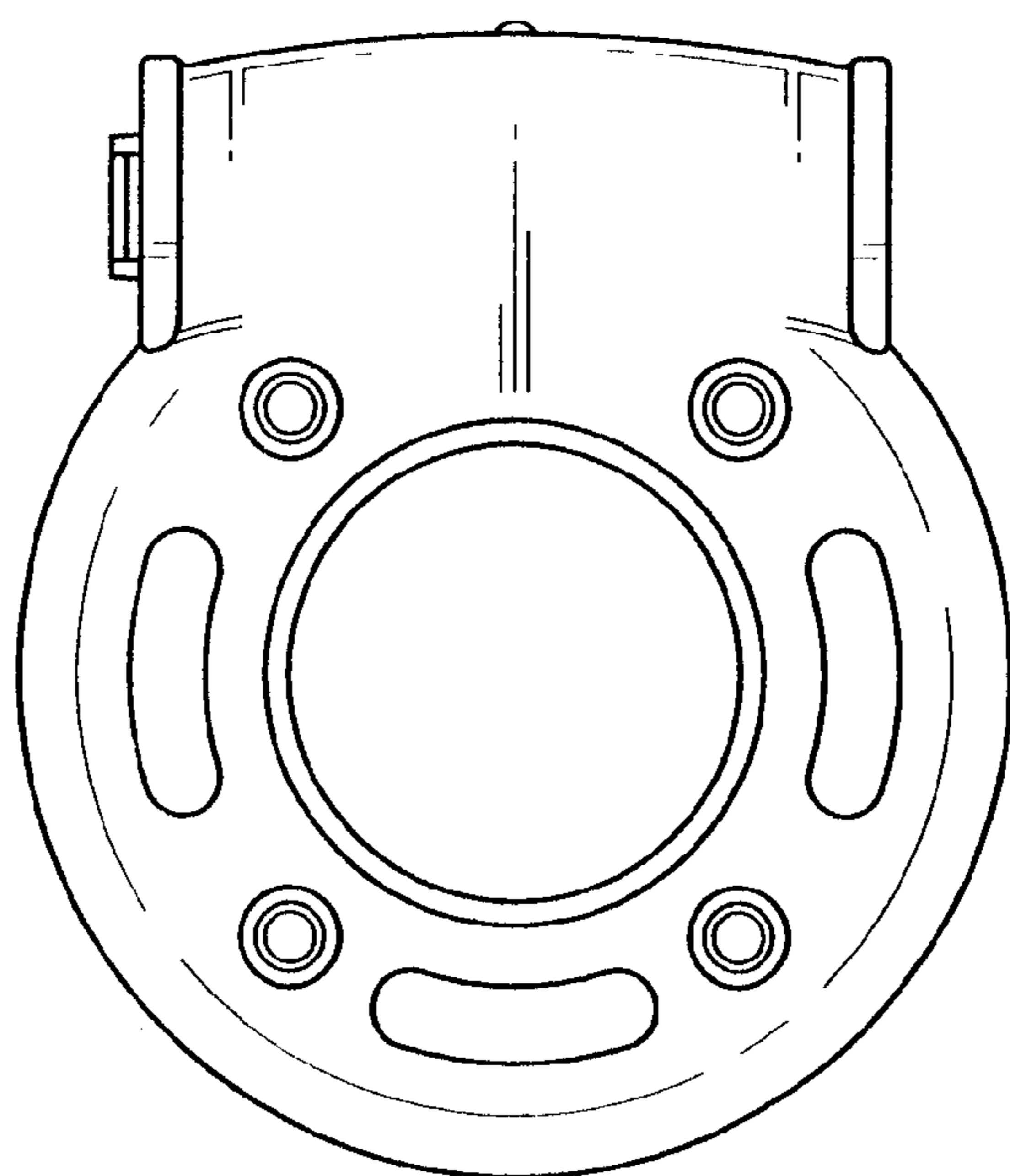


FIG. 3

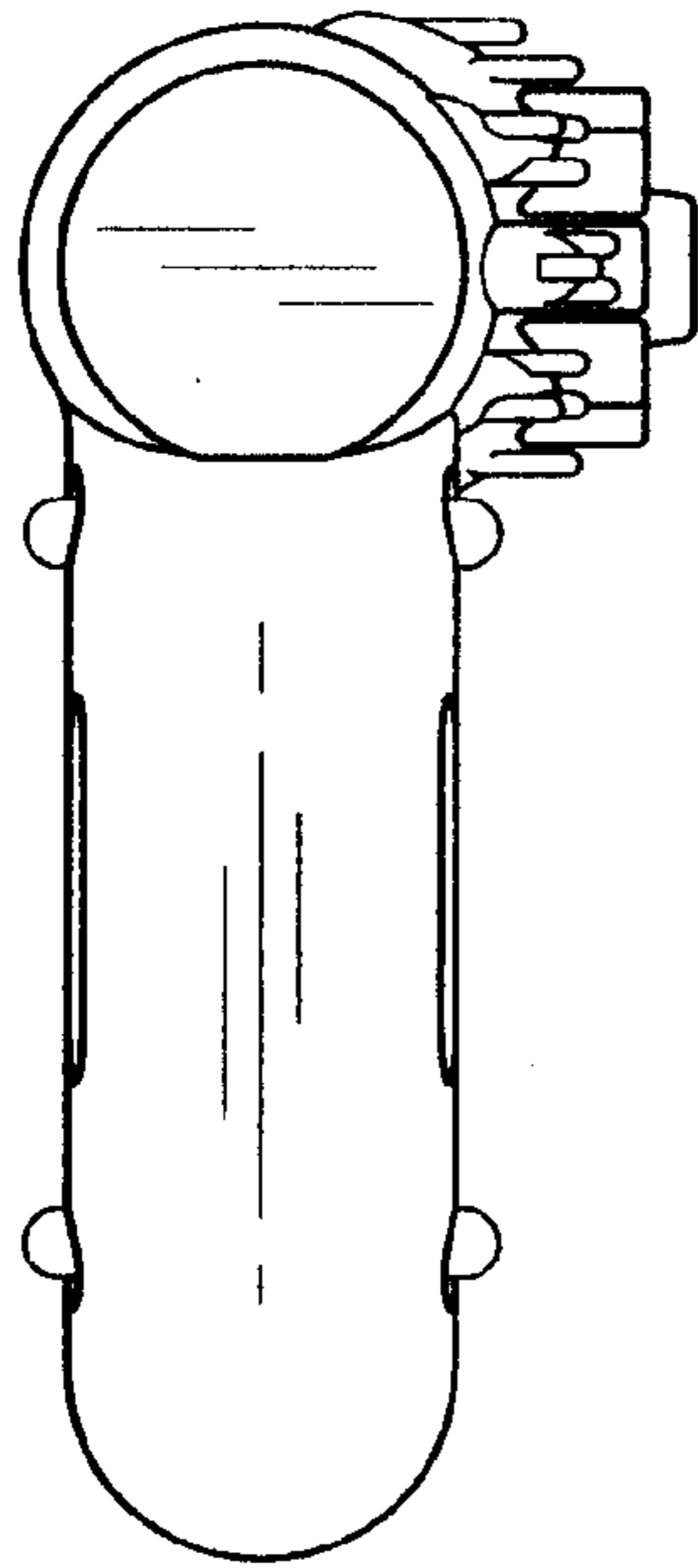


FIG. 4

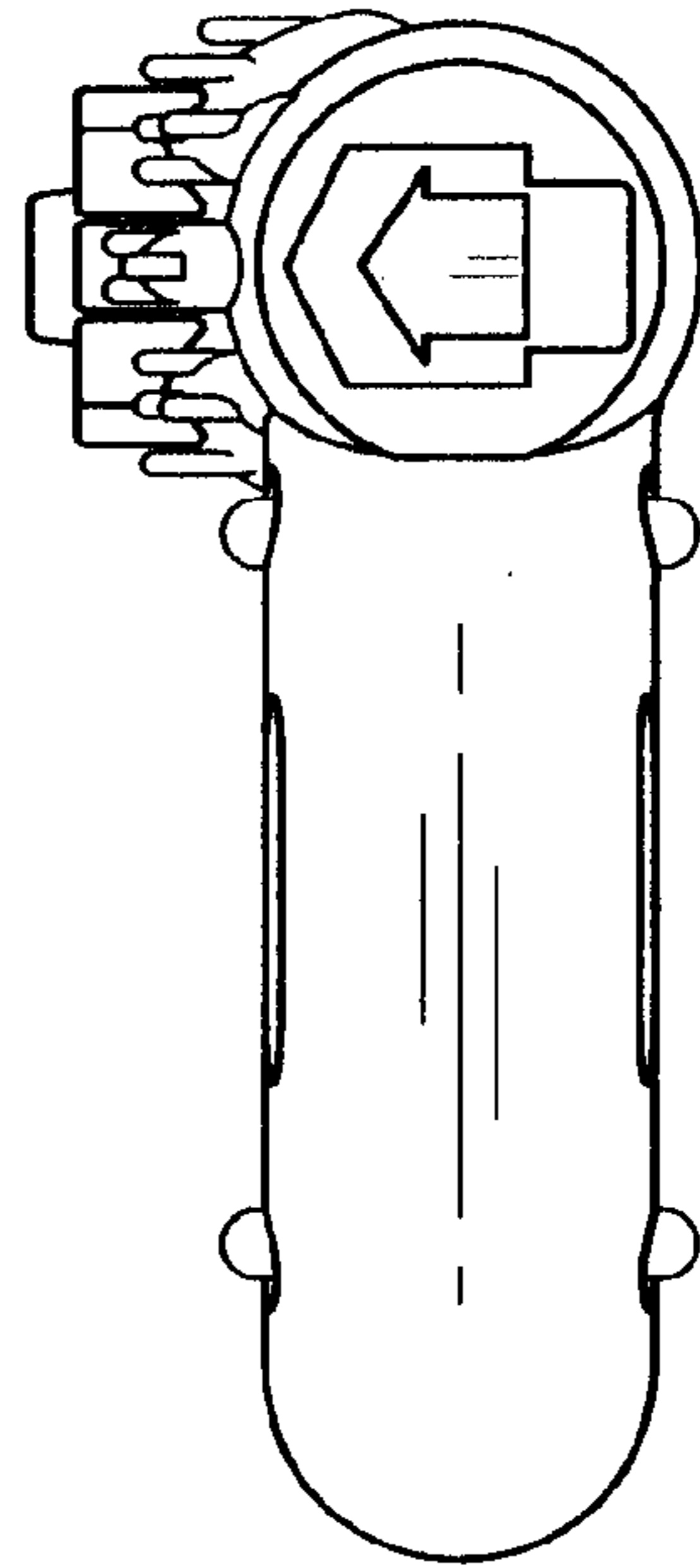


FIG. 5

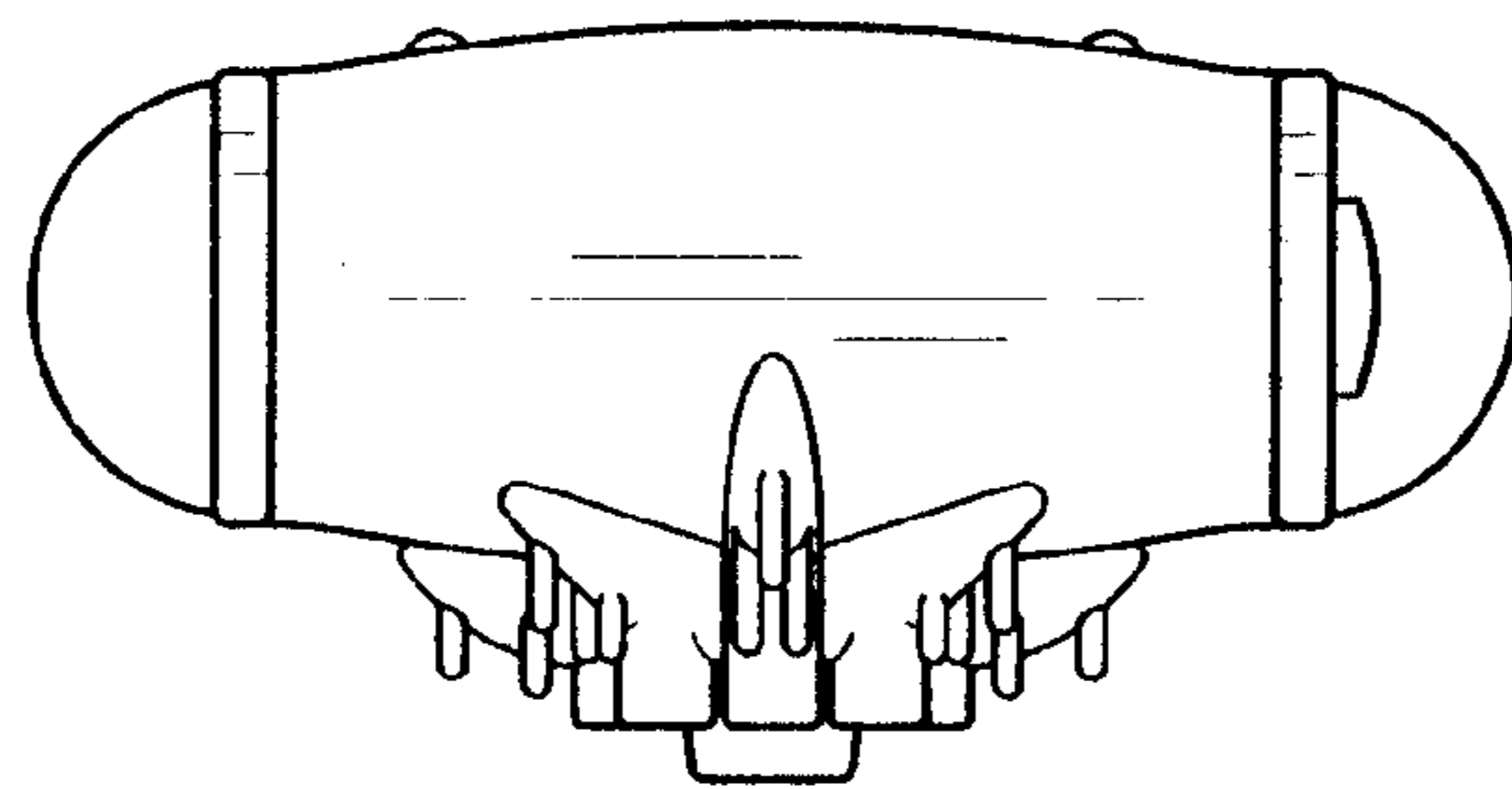


FIG. 6

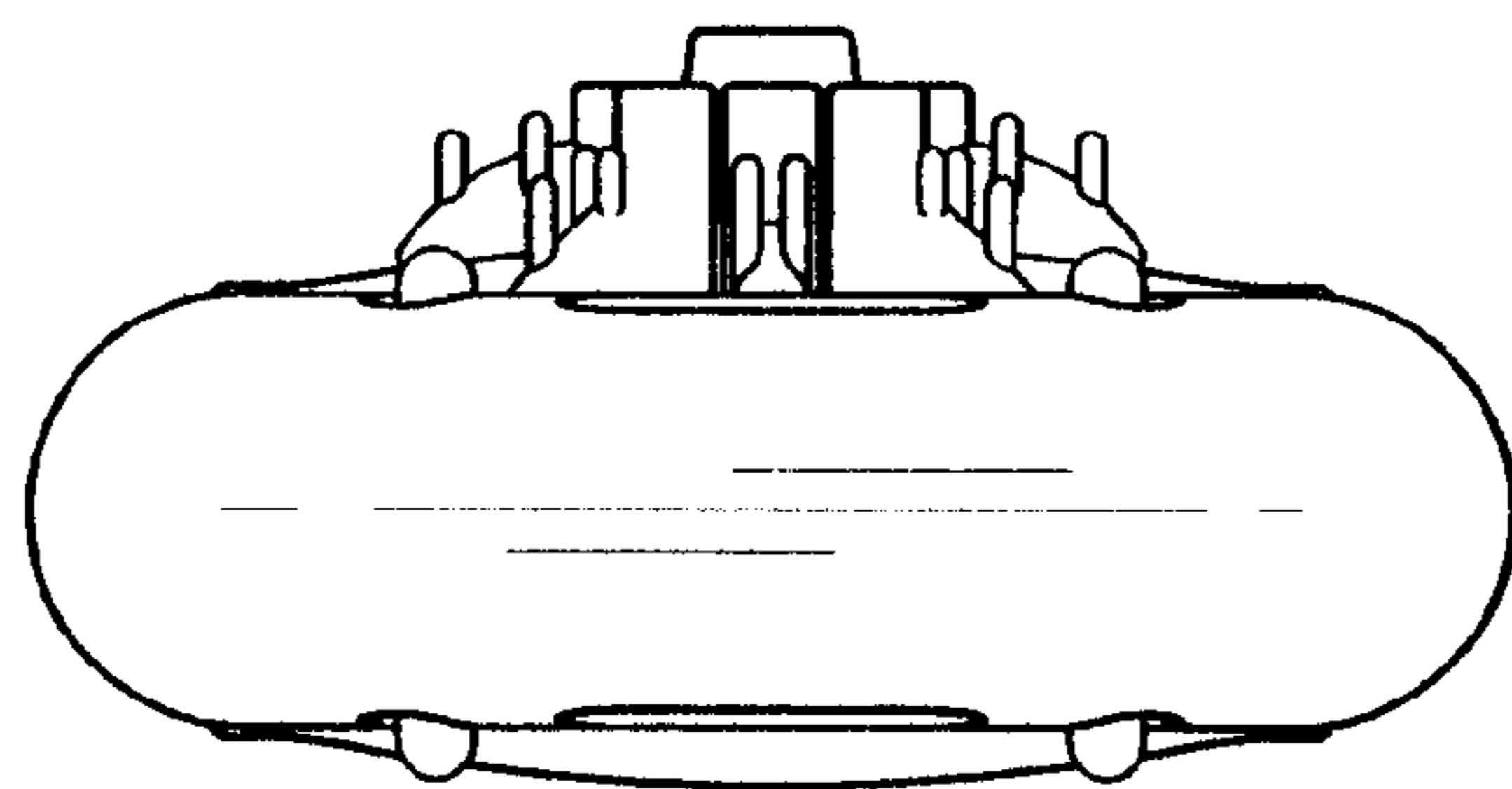


FIG. 7