



US00D523956S

(12) **United States Design Patent**
Guala

(10) **Patent No.:** **US D523,956 S**

(45) **Date of Patent:** **** Jun. 27, 2006**

(54) **PIERCING BODY FOR MEDICAL INFUSION/
TRANSFUSION LINES**

(75) Inventor: **Gianni Guala**, Turin (IT)

(73) Assignee: **Industrie Borla S.p.A.**, Moncalieri (IT)

(**) Term: **14 Years**

(21) Appl. No.: **29/213,517**

(22) Filed: **Sep. 20, 2004**

(30) **Foreign Application Priority Data**

Mar. 19, 2004 (EM) 000148903

(51) **LOC (8) Cl.** **24-01**

(52) **U.S. Cl.** **D24/108; D24/112; D24/129;
D24/130**

(58) **Field of Classification Search** D24/130,
D24/108, 112, 127, 129; 604/403, 411, 412,
604/414, 905, 912, 164.11, 533

See application file for complete search history.

(56) **References Cited**

U.S. PATENT DOCUMENTS

4,123,091 A * 10/1978 Cosentino et al. D24/129
D257,886 S * 1/1981 Kersten D24/112
4,405,163 A * 9/1983 Voges et al. 604/905
D300,177 S * 3/1989 Bellotti et al. D24/129

5,135,489 A * 8/1992 Jepson et al. 604/905

5,334,179 A * 8/1994 Poli et al. 604/403

5,839,715 A * 11/1998 Leinsing 604/905

5,954,708 A * 9/1999 Lopez et al. 604/533

6,423,053 B1 * 7/2002 Lee 604/533

6,676,651 B1 * 1/2004 Haacke et al. 604/533

* cited by examiner

Primary Examiner—Louis S. Zarfaz

Assistant Examiner—Daniel Yu

(74) *Attorney, Agent, or Firm*—Sughrue Mion, PLLC

(57) **CLAIM**

The ornamental design for a piercing body for medical infusion/transfusion lines, as shown.

DESCRIPTION

FIG. 1 is a perspective view of the rear side, rear end and right side of a piercing body for medical infusion/transfusion lines showing my new design;

FIG. 2 is a perspective view of the front side, front end and left side thereof;

FIG. 3 is a right side elevational view thereof;

FIG. 4 is a front side elevational view thereof;

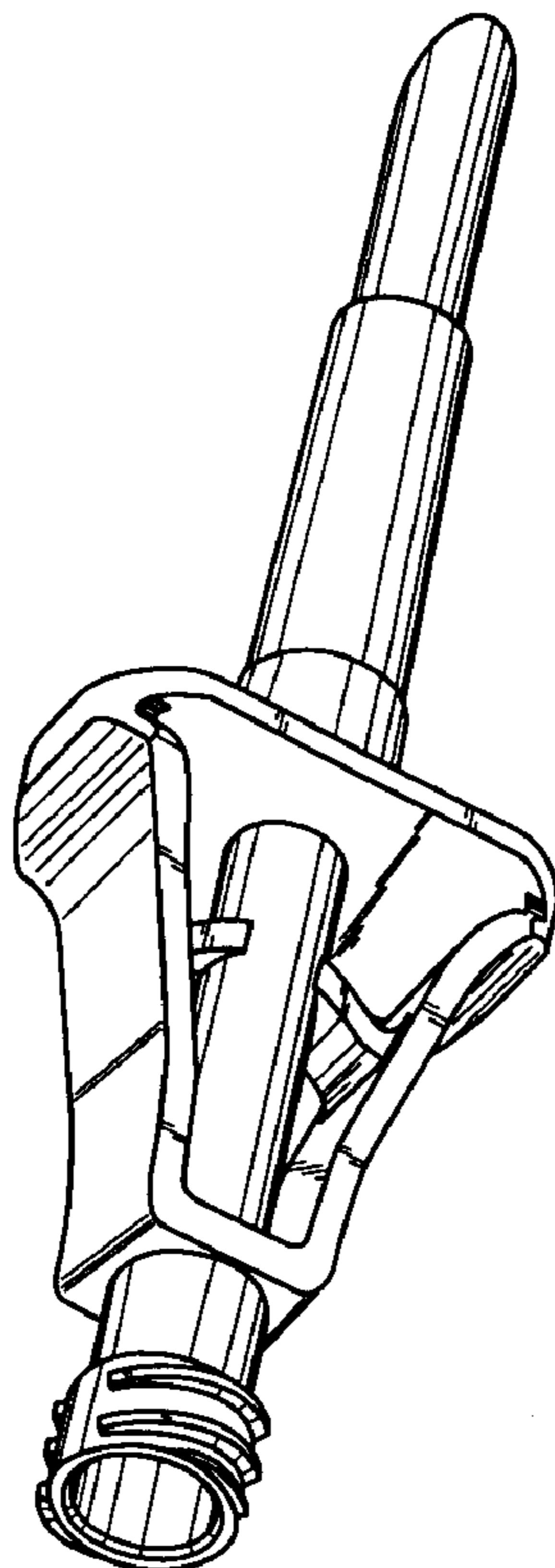
FIG. 5 is a left side elevational view thereof;

FIG. 6 is a rear side elevational view thereof;

FIG. 7 is a rear end view thereof; and,

FIG. 8 is a front end view thereof.

1 Claim, 4 Drawing Sheets



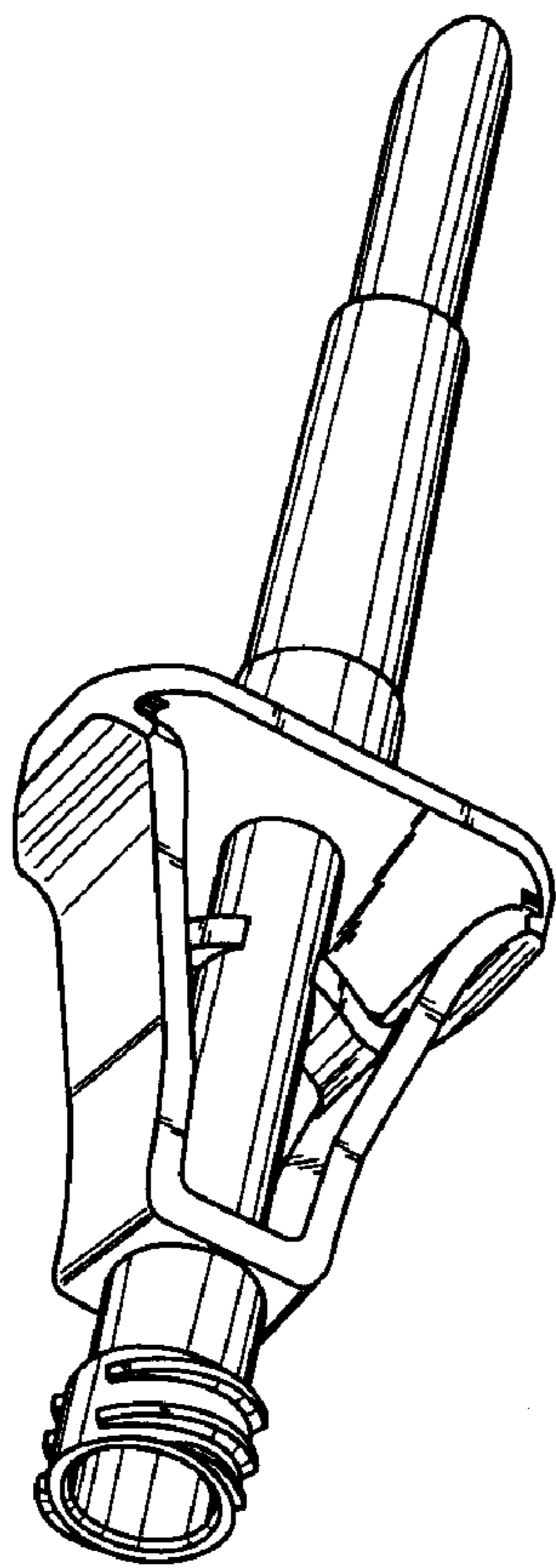


Fig. 1

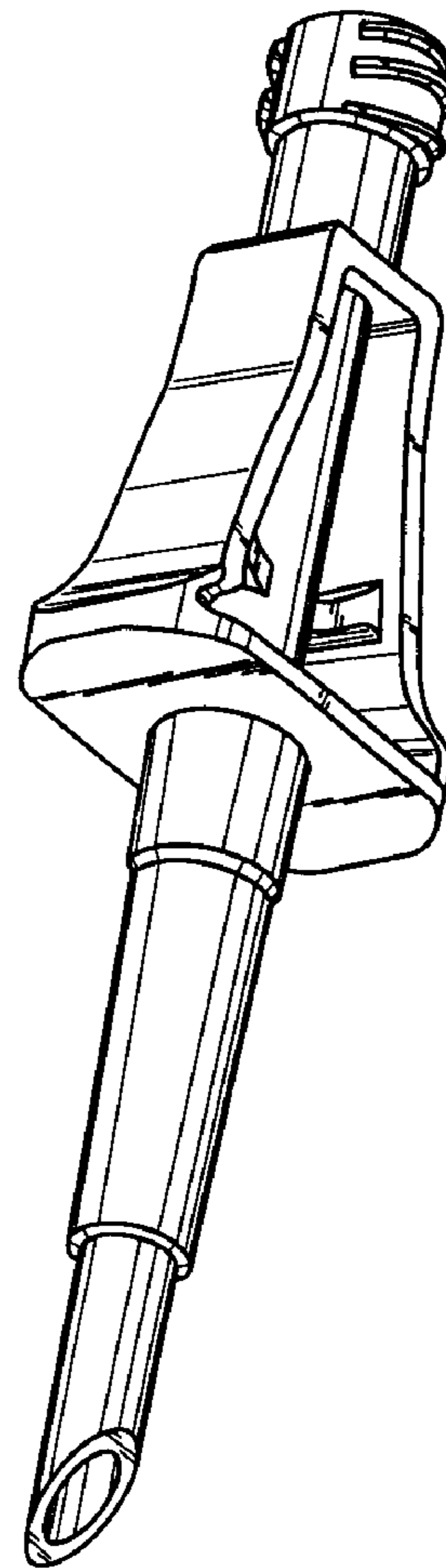


Fig. 2

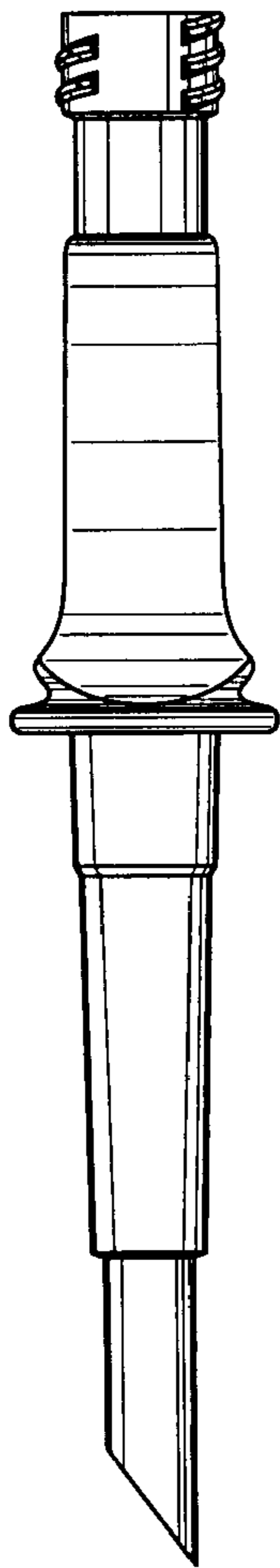


Fig. 3

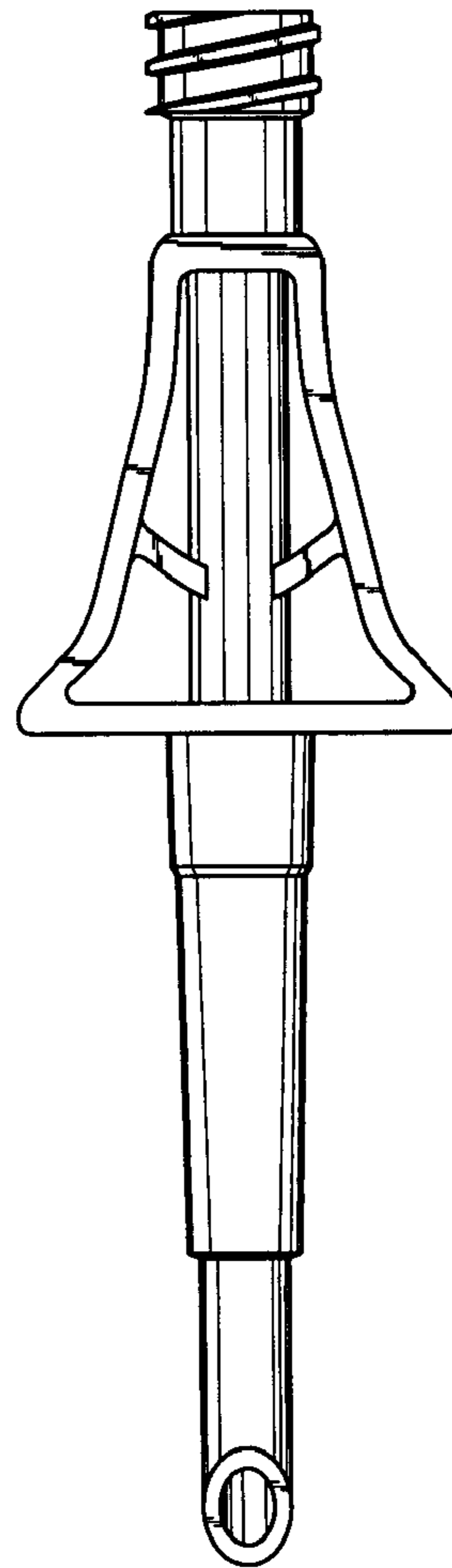


Fig. 4

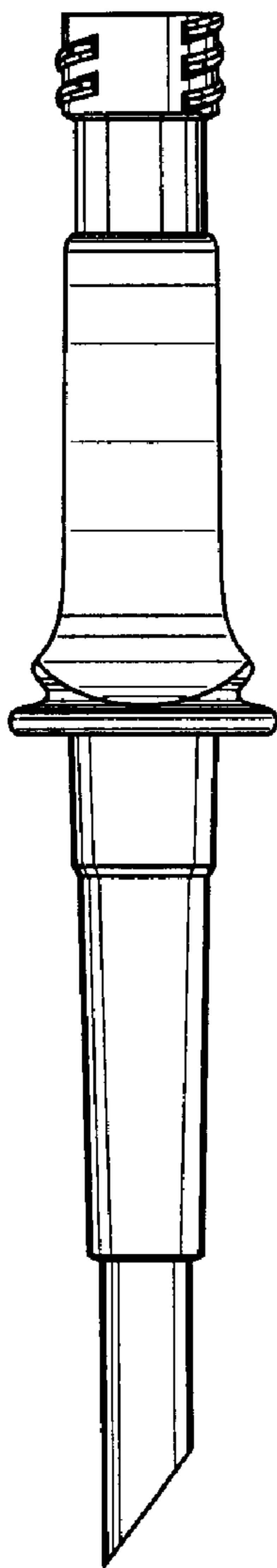


Fig. 5

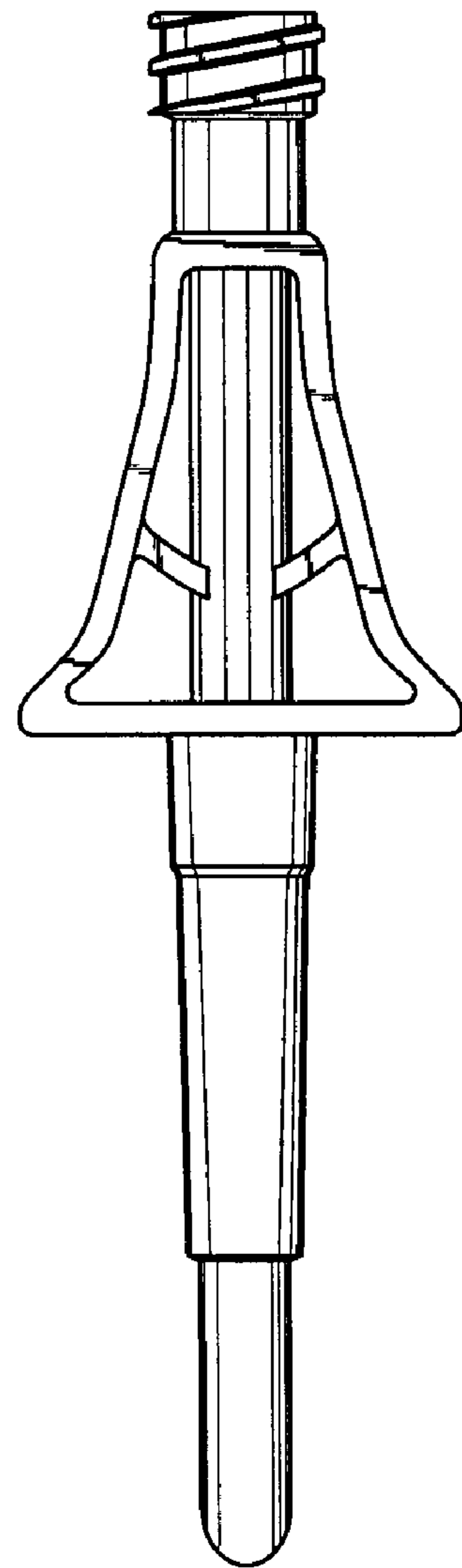


Fig. 6

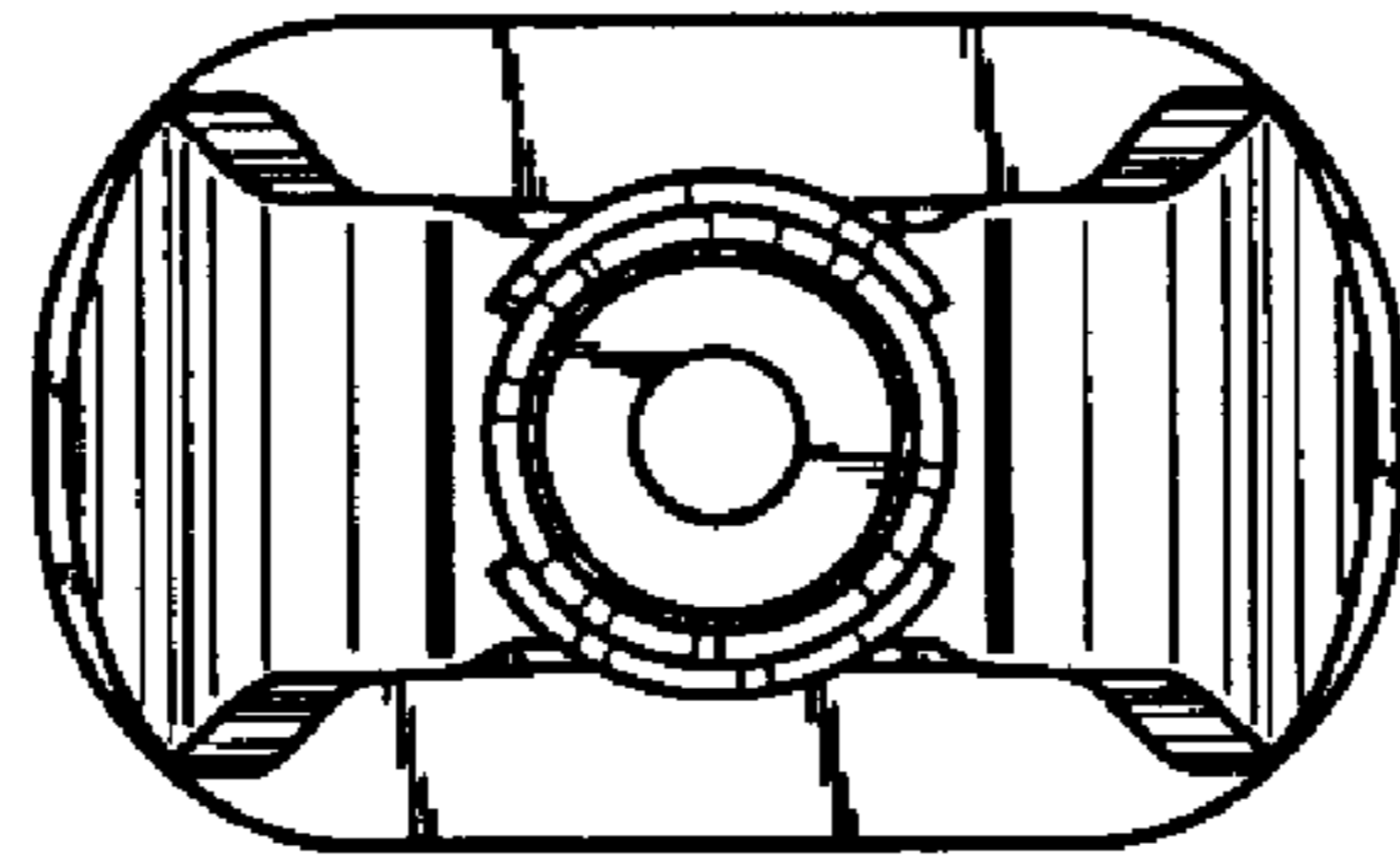


Fig. 7

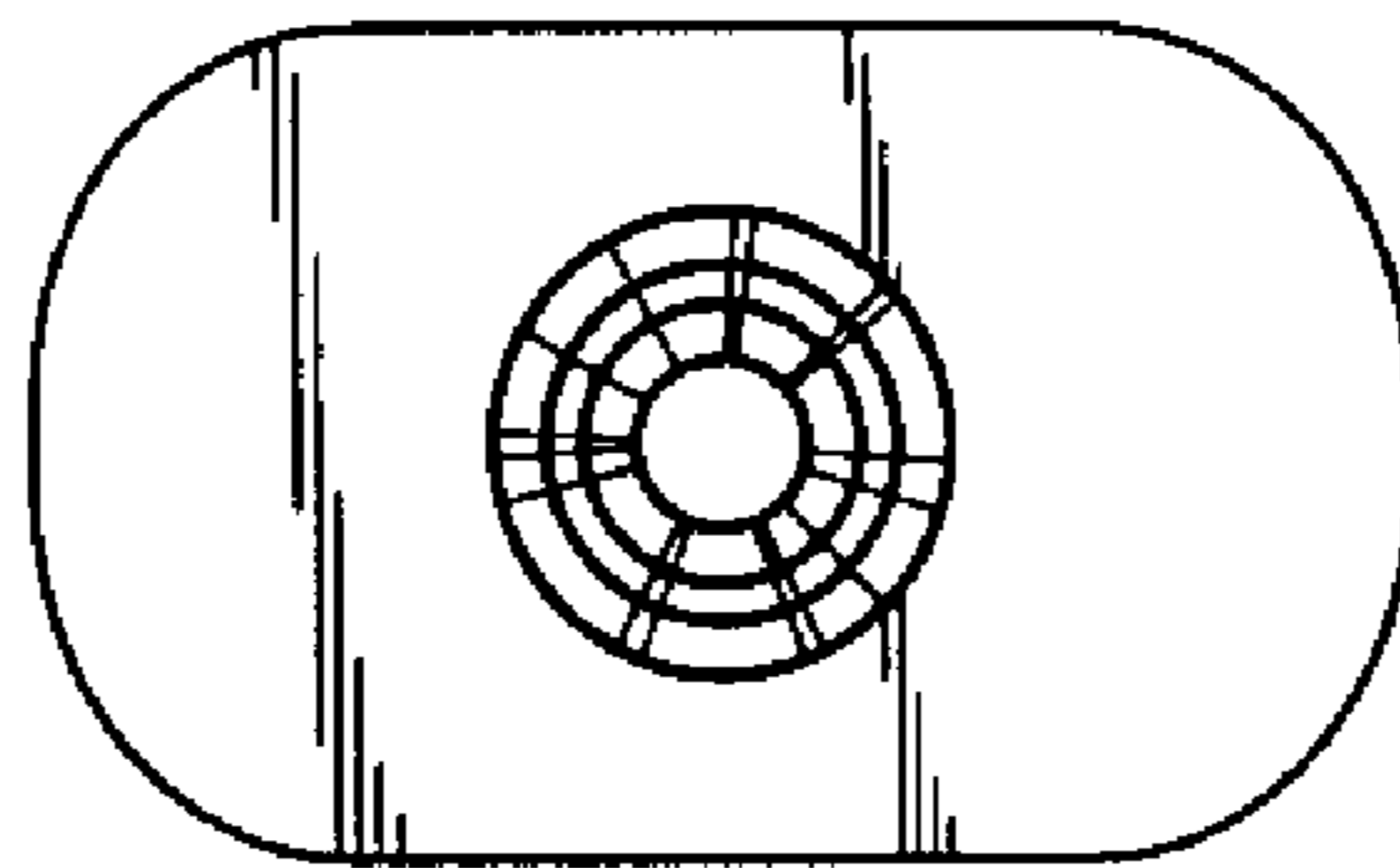


Fig. 8