



US00D523952S

(12) **United States Design Patent**
Ertze

(10) **Patent No.:** **US D523,952 S**
(45) **Date of Patent:** **** Jun. 27, 2006**

(54) **COMBINED CEILING FAN HOUSING AND LIGHT KIT**

D505,196 S * 5/2005 Bacon et al. D23/411

* cited by examiner

(75) Inventor: **Pablo J. Ertze**, Rancho Cucamonga, CA (US)

Primary Examiner—Lisa Lichtenstein

(74) *Attorney, Agent, or Firm*—Parsons & Goltry; Michael W. Goltry; Robert A. Parsons

(73) Assignee: **Air Cool Industrial Co. Ltd.**, Taichung (TW)

(57) **CLAIM**

(**) Term: **14 Years**

The ornamental design for a combined ceiling fan housing and light kit, as shown and described.

(21) Appl. No.: **29/231,264**

DESCRIPTION

(22) Filed: **Jun. 2, 2005**

(51) **LOC (8) Cl.** **23-04**

(52) **U.S. Cl.** **D23/411; D26/59**

(58) **Field of Classification Search** D23/377, D23/379, 385, 411, 413; 416/5; D26/59, D26/51, 81–88, 72

See application file for complete search history.

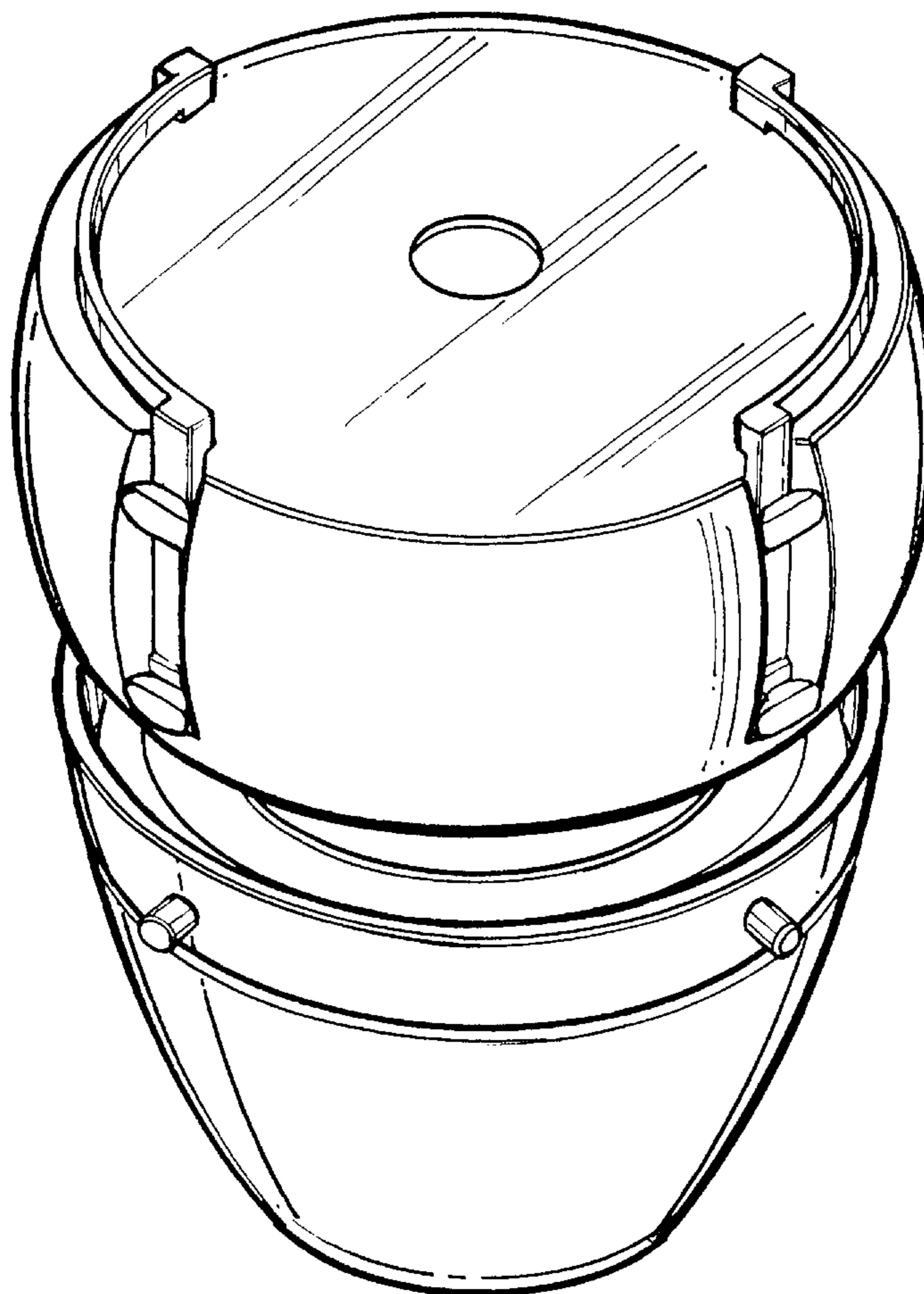
FIG. 1 is a top perspective view of a combined ceiling fan housing and light kit showing my new design; FIG. 2 is a bottom perspective view thereof; FIG. 3 is a left side elevational view thereof; FIG. 4 is a right side elevational view thereof; FIG. 5 is a top plan view thereof; FIG. 6 is a front elevational view thereof; FIG. 7 is a rear elevational view thereof; and, FIG. 8 is a bottom plan view thereof.

(56) **References Cited**

U.S. PATENT DOCUMENTS

D487,309 S * 3/2004 Stauffer D23/411

1 Claim, 7 Drawing Sheets



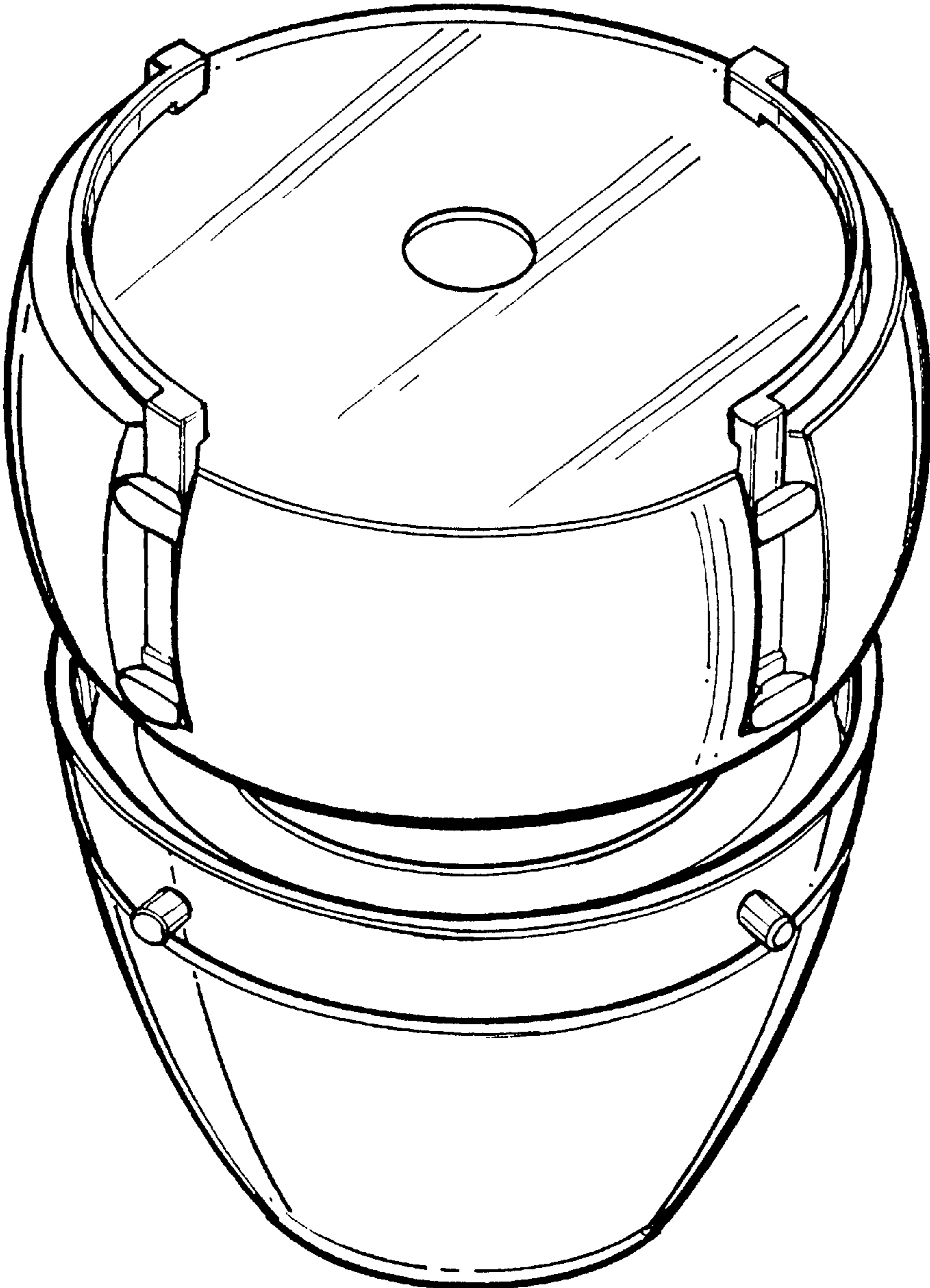


FIGURE 1

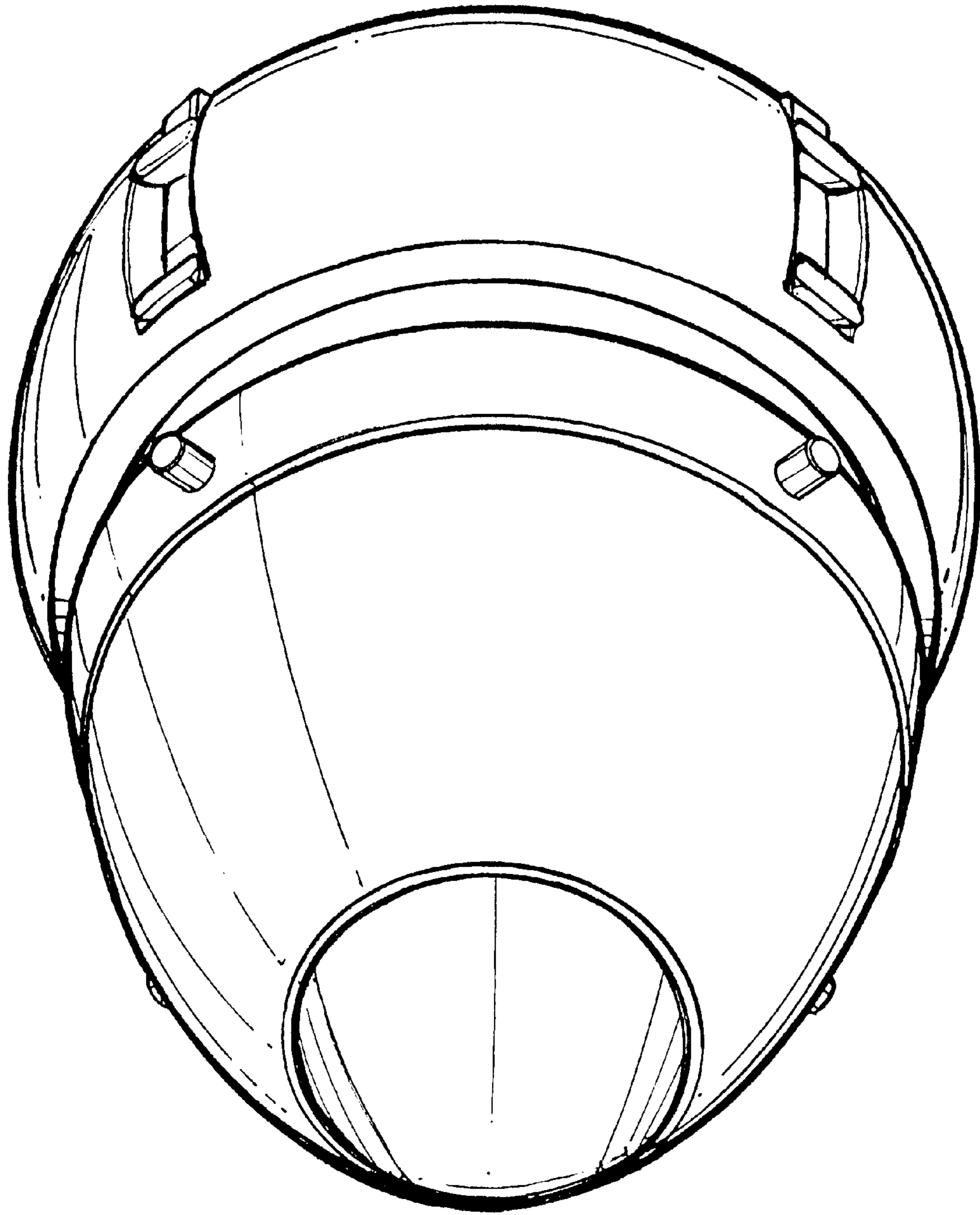


FIGURE 2

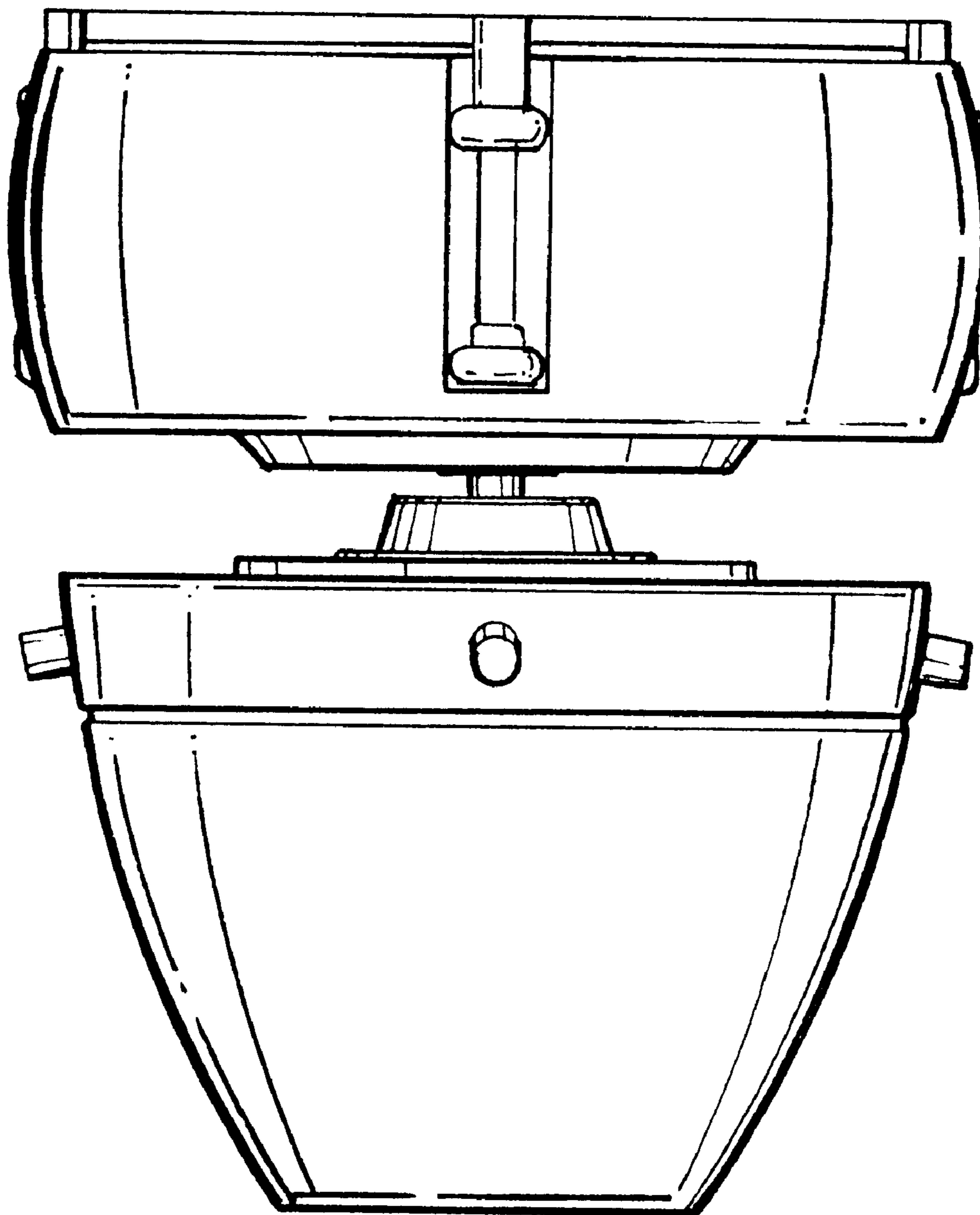


FIGURE 3

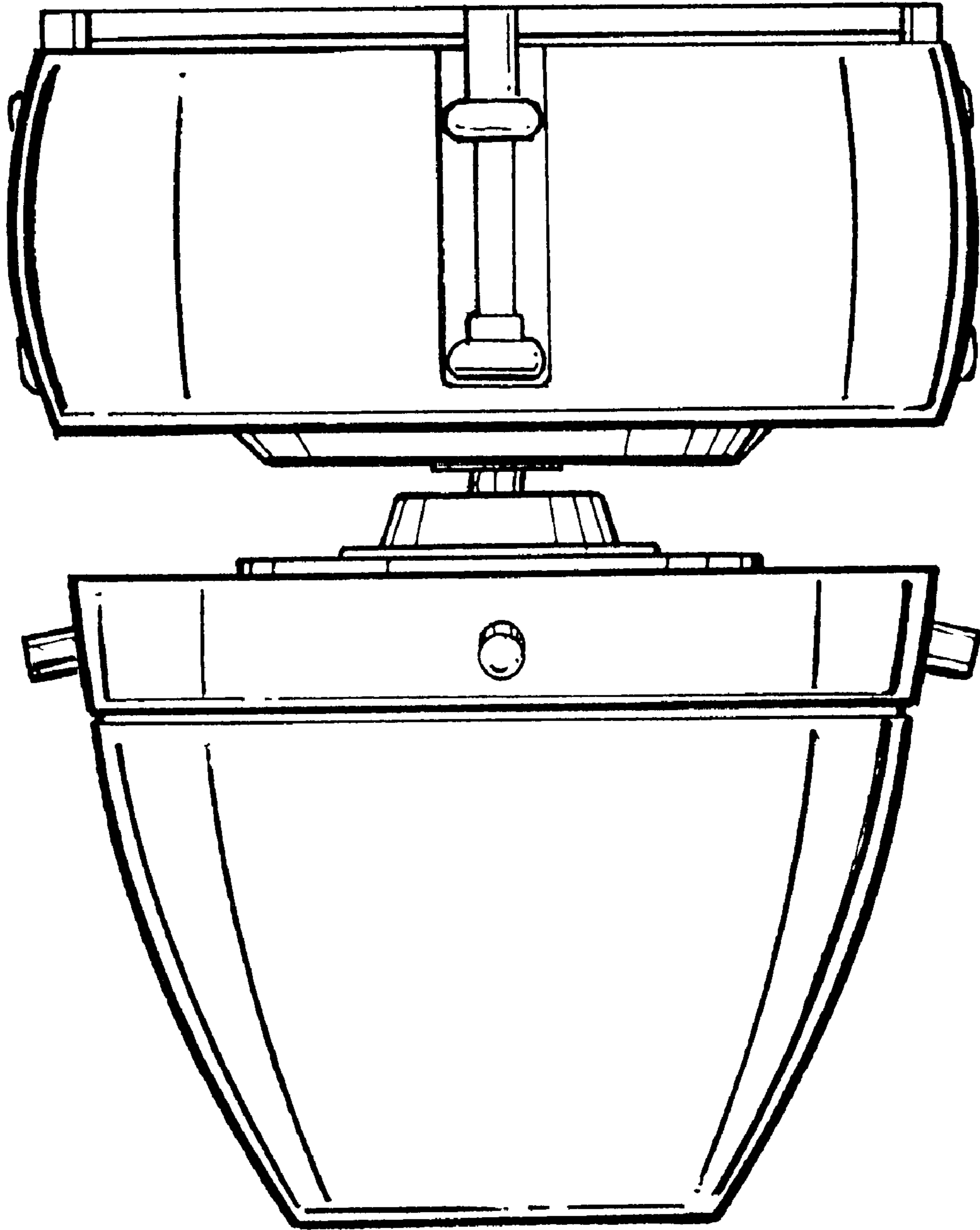


FIGURE 4

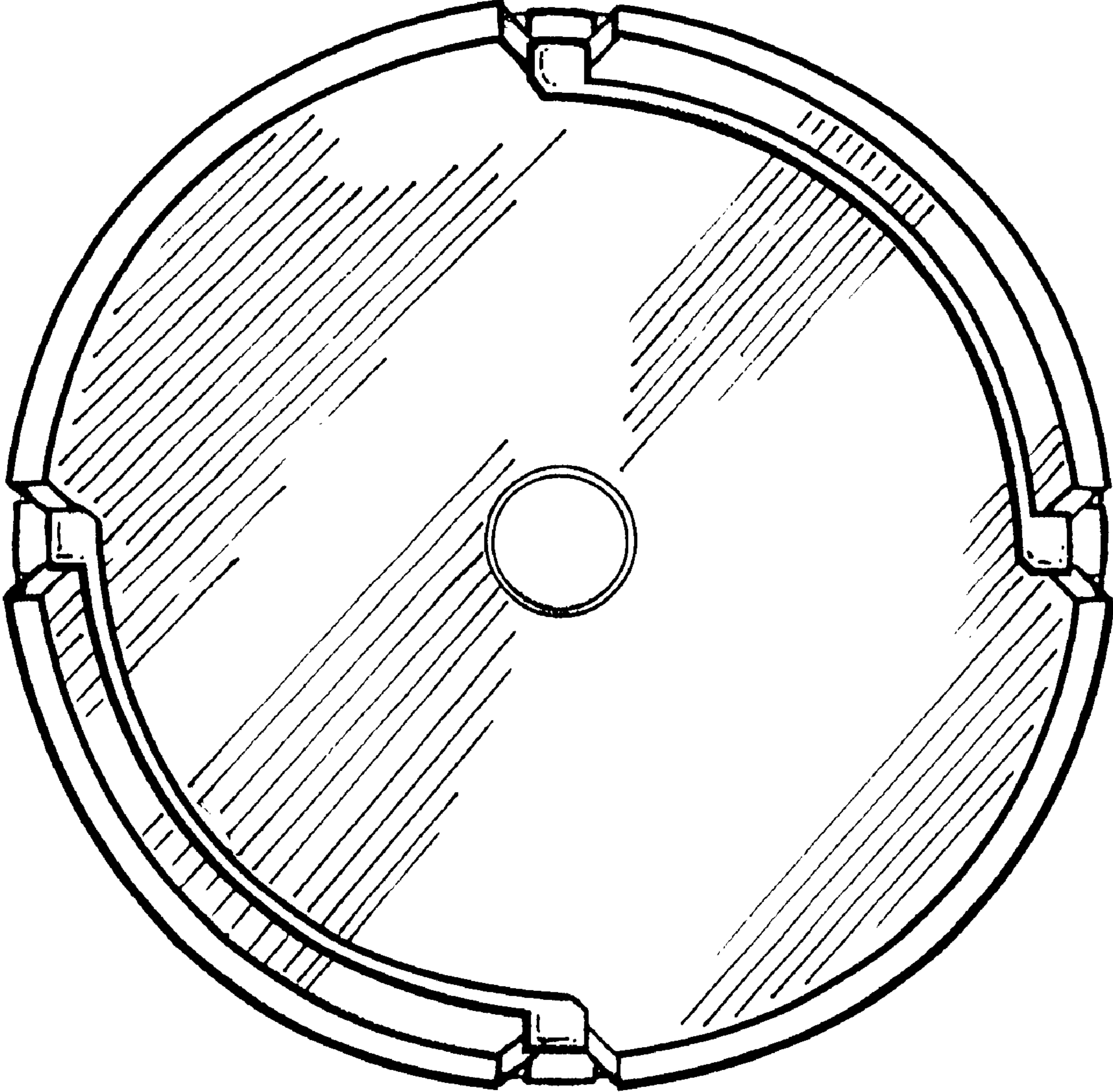


FIGURE 5

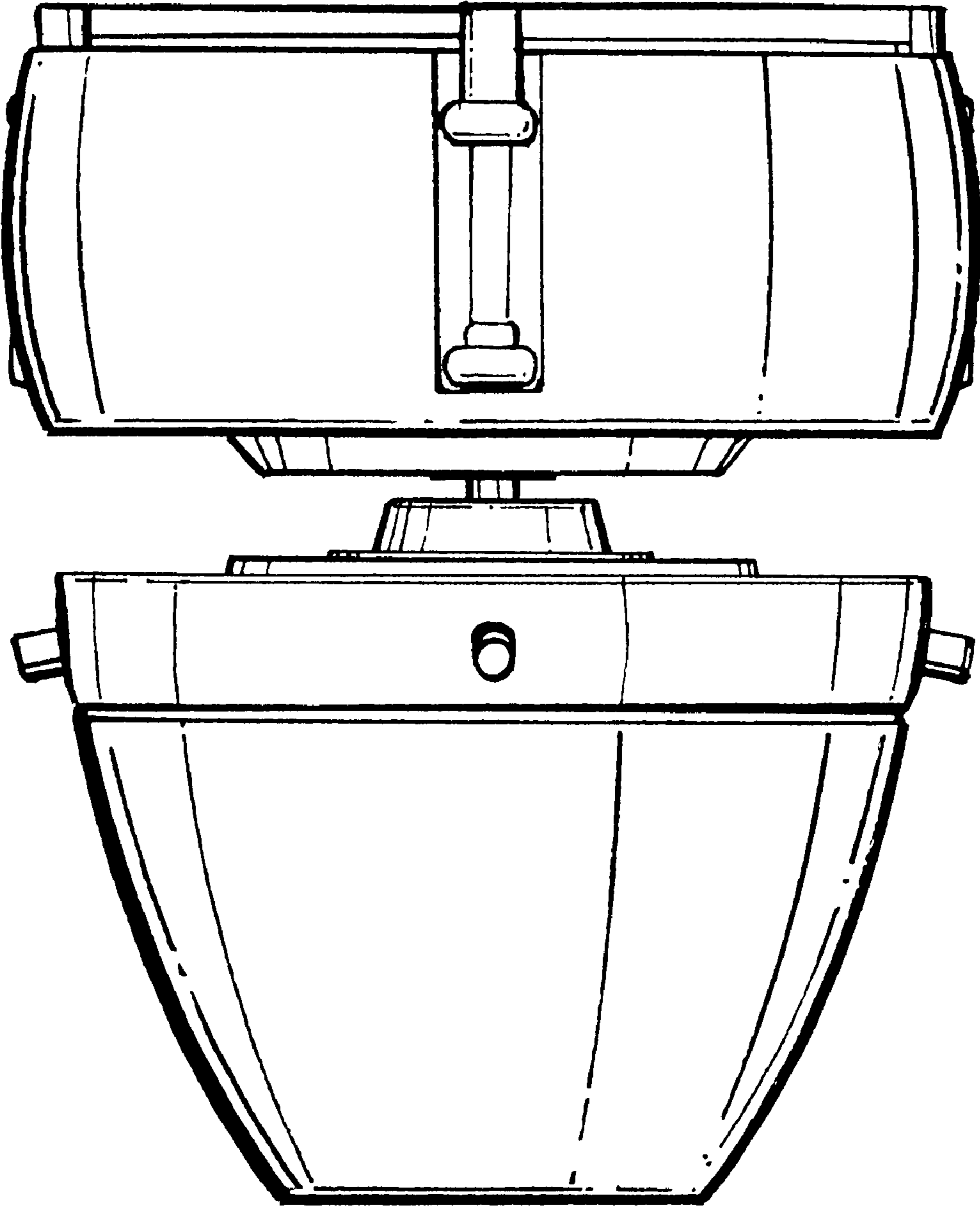


FIGURE 6

FIGURE 7

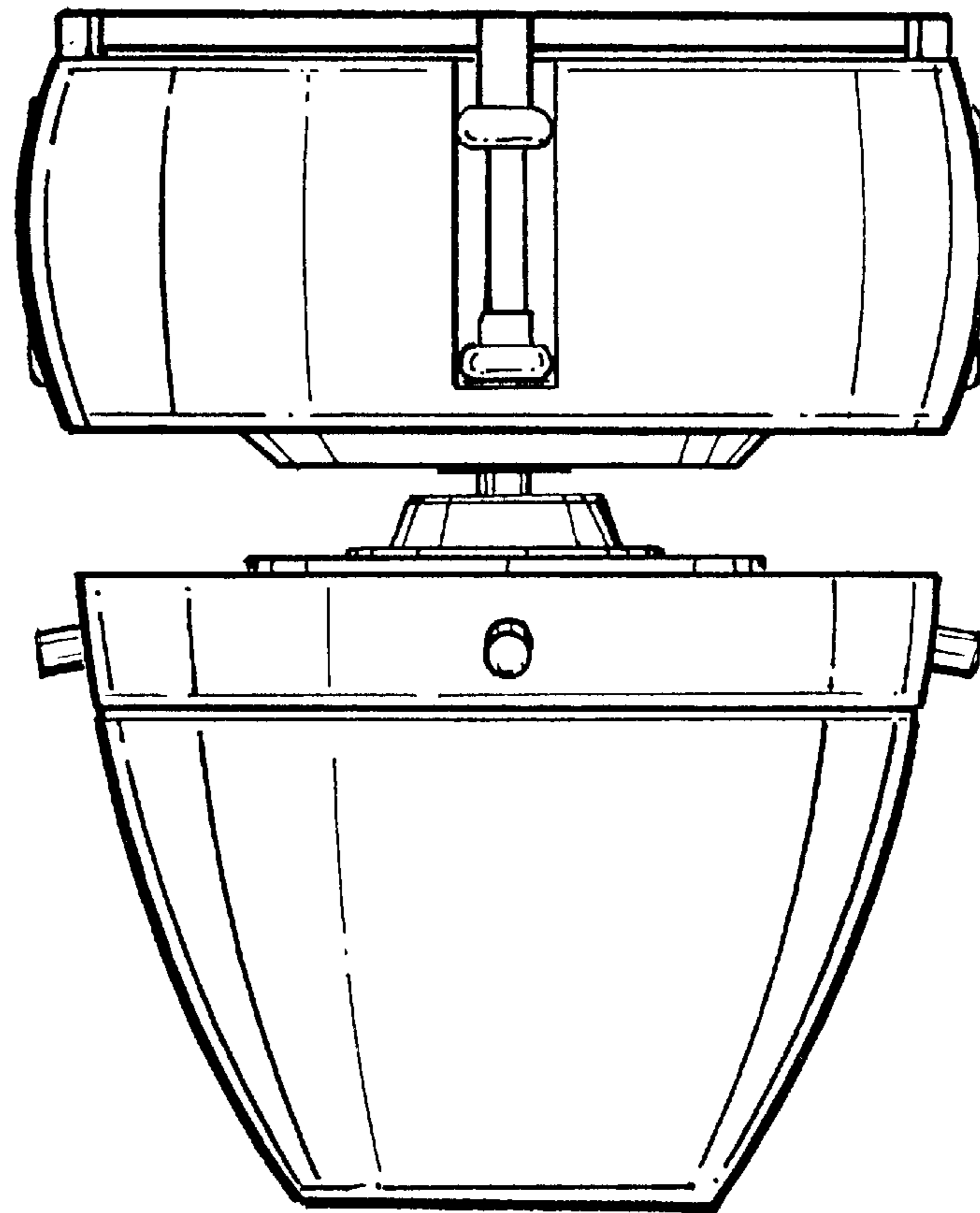


FIGURE 8

