



US00D523948S

(12) **United States Design Patent**
Young

(10) **Patent No.:** **US D523,948 S**
(45) **Date of Patent:** **** Jun. 27, 2006**

(54) **CEILING FAN BLADE IRON**

(75) Inventor: **Stanfield Young**, Garden Grove, CA
(US)

(73) Assignee: **Minka Lighting, Inc.**, Corona, CA
(US)

(**) Term: **14 Years**

(21) Appl. No.: **29/203,996**

(22) Filed: **Apr. 22, 2004**

(51) **LOC (8) Cl.** **23-04**

(52) **U.S. Cl.** **D23/411**

(58) **Field of Classification Search** D23/411,
D23/413, 377, 379; 416/5, 210 R
See application file for complete search history.

(56) **References Cited**

U.S. PATENT DOCUMENTS

D321,935 S	*	11/1991	Ignon	D23/413
5,462,407 A	*	10/1995	Calvo	416/132 A
D393,902 S	*	4/1998	Pickett	D23/377
D435,289 S	*	12/2000	Liu	D23/411
D435,900 S	*	1/2001	Dye	D23/411

OTHER PUBLICATIONS

Hampton Bay Ceiling Fans; vol. 1; Spring/Summer 2004; p. 38, Mar. 2004, Home Depot, Inc., U.S.A.

Minka Aire 2004; pp. 52–53, Jan. 2004, Minka Lighting, Inc. USA.

Lamps Plus Internet Catalog; Casablanca Ventura II, Model # 89125–57276; www.lampsplus.com, May 14, 2004, Casablanca Fans.

Casablanca Internet Catalog; Avalon Blade System; Model # B31B; www.casablancafanco.com, May 14, 2004, Casablanca Fans.

Casablanca Internet Catalog; Malibu Star; Model # 23B002; www.casablancafanco.com, May 14, 2004, Casablanca Fans.

Monte Carlo Internet Catalog; Vera Cruz; Model # VC5B06, 5VC0P, 5VC0C, 5VCWH, 5VCFB, May 25, 2004, Monte Carlo Fans.

FanimationInternet Catalog; The Islander, Model #ISC4; printed from www.fansworksoutlet.com on May 19, 2005.

Emerson Internet Catalog; Model #EMB30KH; printed from www.fansworksoutlet.com on May 19, 2005.

* cited by examiner

Primary Examiner—Lisa Lichtenstein

(74) *Attorney, Agent, or Firm*—Baker & McKenzie LLP

(57) **CLAIM**

The ornamental design for a ceiling fan blade iron, as shown and described.

DESCRIPTION

FIG. 1 is a perspective view from below of a ceiling fan blade iron in accordance with my design, including the environment thereof;

FIG. 2 is an enlarged perspective view from below of a ceiling fan blade iron in accordance with my design, including the environment thereof;

FIG. 3 is an enlarged top plan view of the ceiling fan blade iron in accordance with my design;

FIG. 4 is an enlarged bottom plan view of the ceiling fan blade iron in accordance with my design;

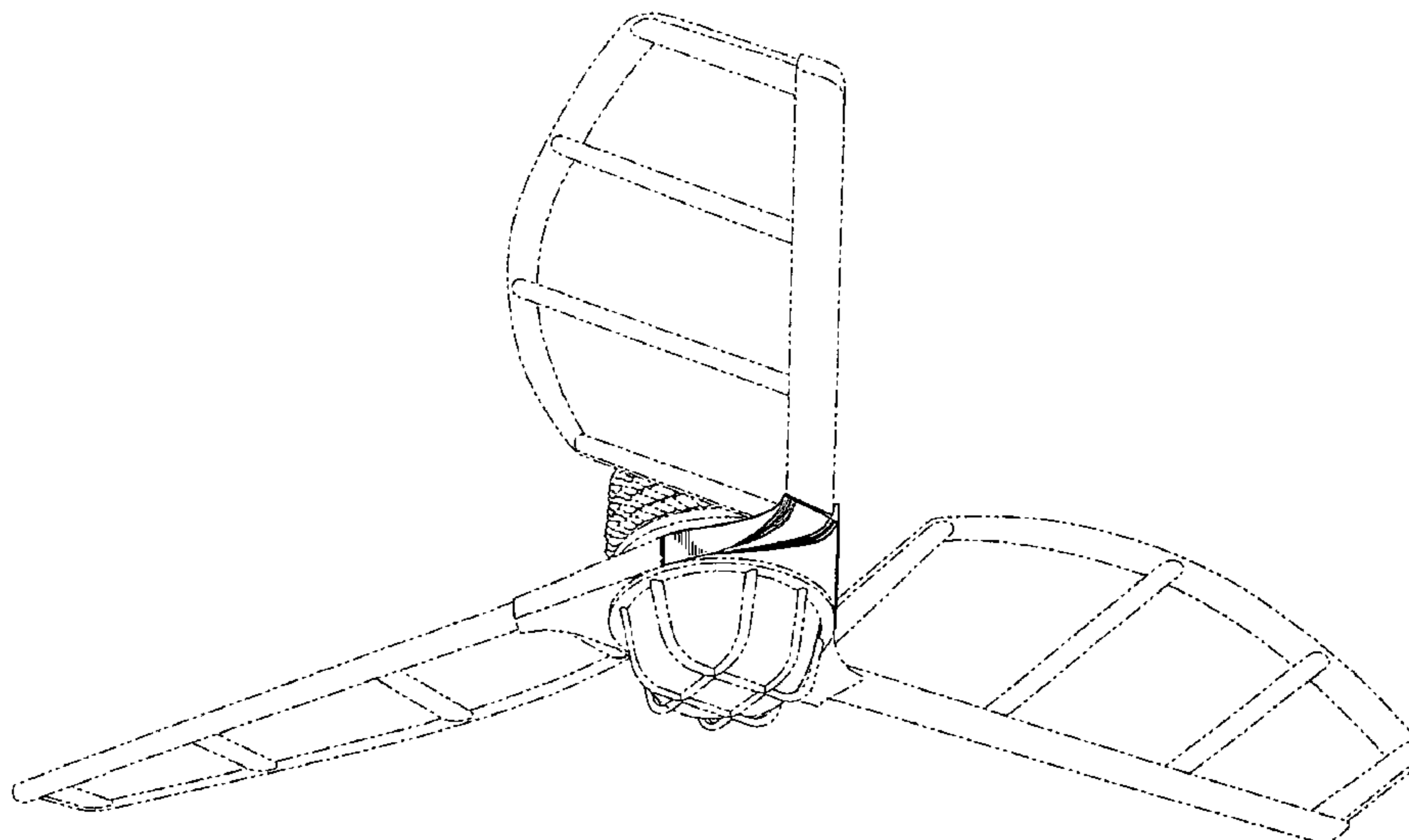
FIG. 5 is a greatly enlarged perspective view from below of the ceiling fan blade iron in accordance with my design;

FIG. 6 is a greatly enlarged distal view of the ceiling fan blade iron in accordance with my design; and,

FIG. 7 is a greatly enlarged proximal view of the ceiling fan blade iron in accordance with my design.

The broken lines showing environmental structure are for illustrative purposes and form no part of the claimed design.

1 Claim, 3 Drawing Sheets



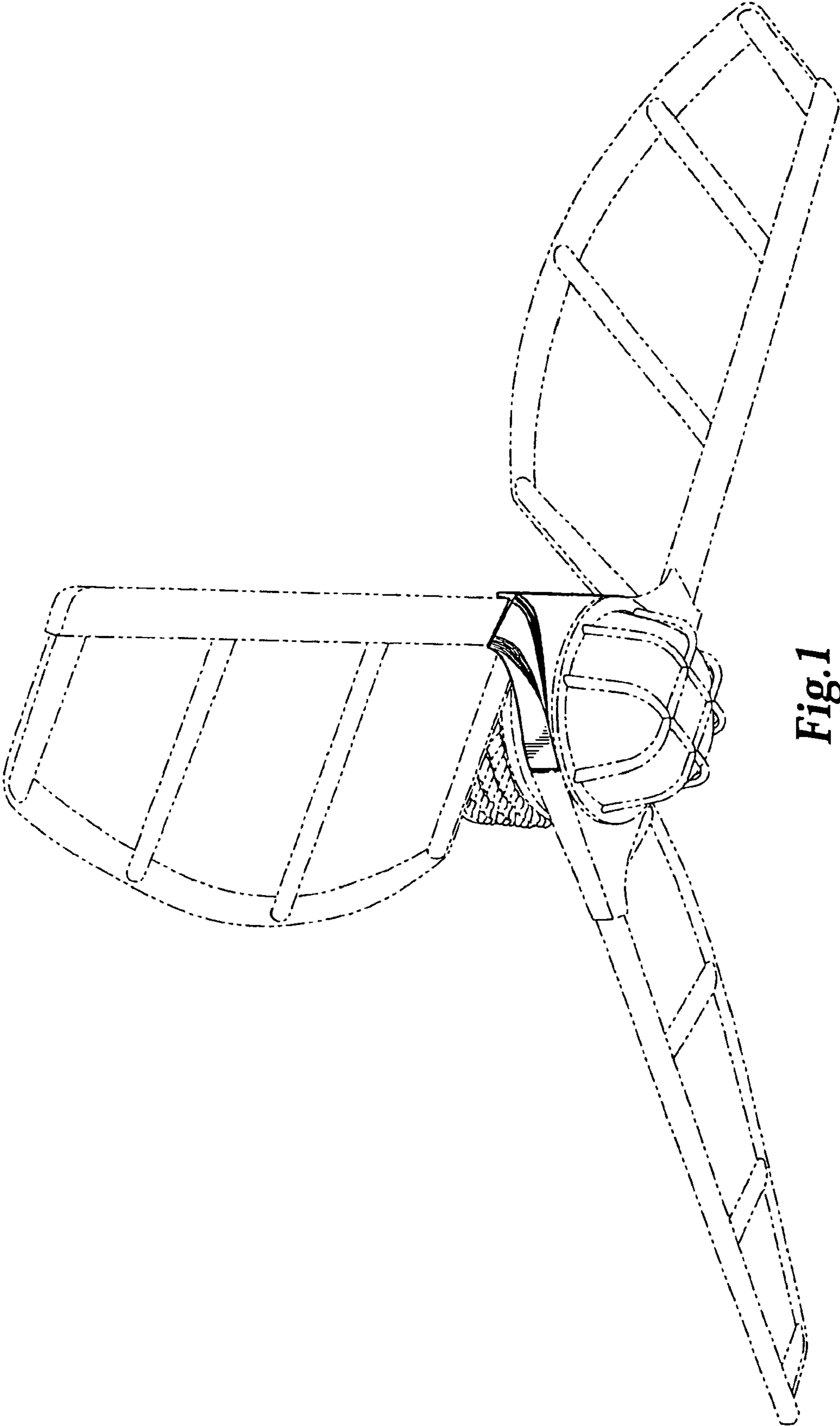
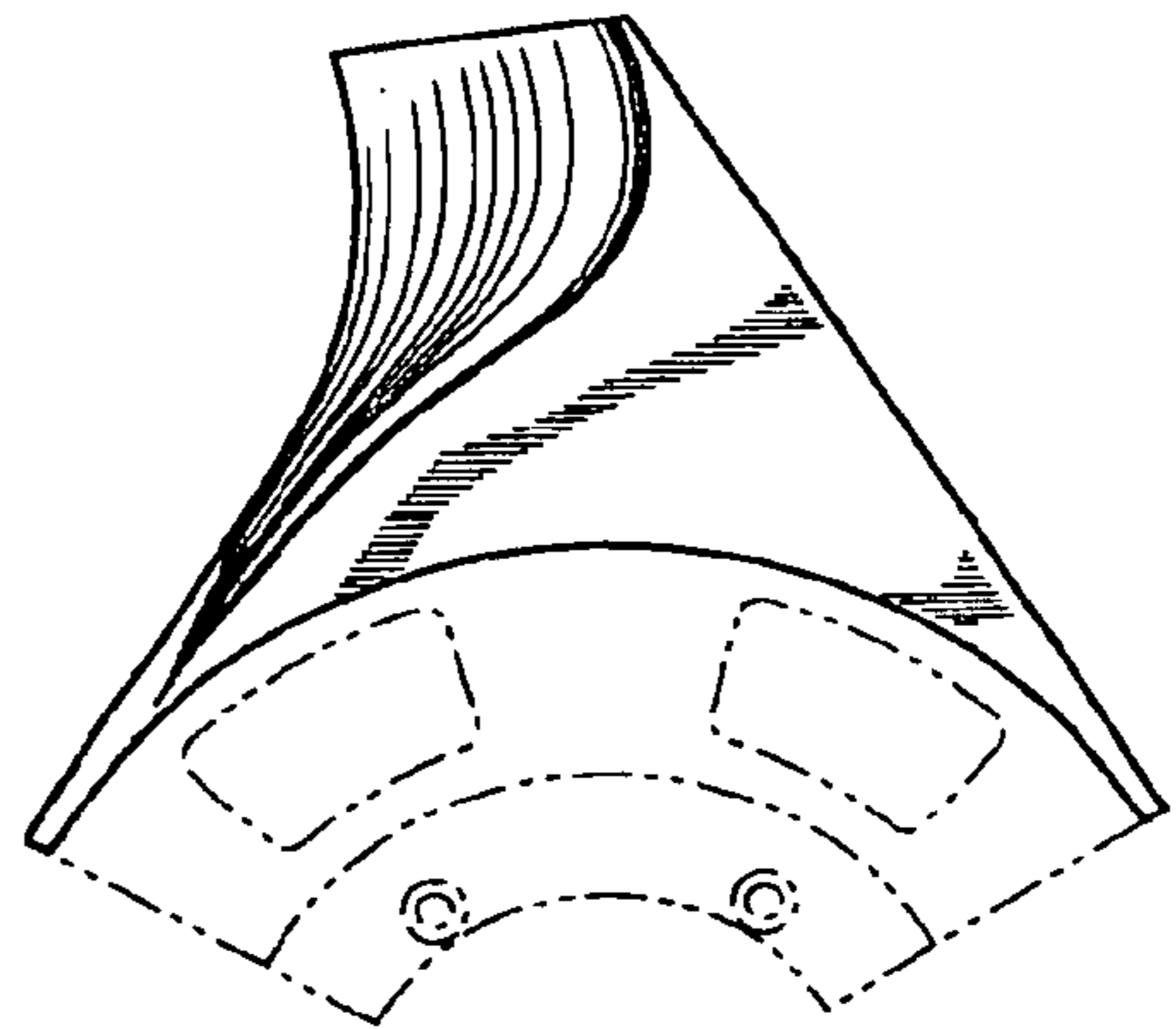
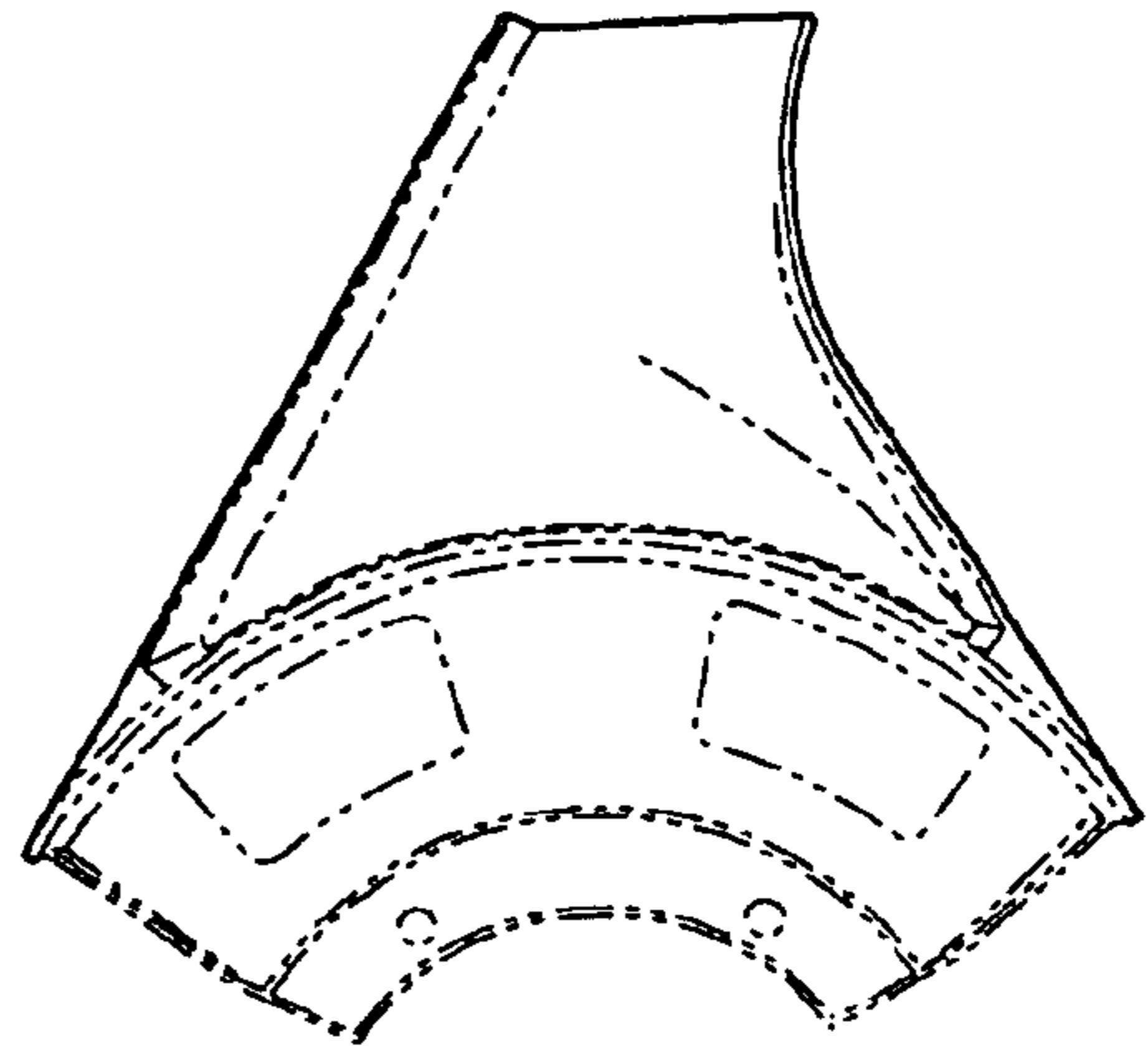
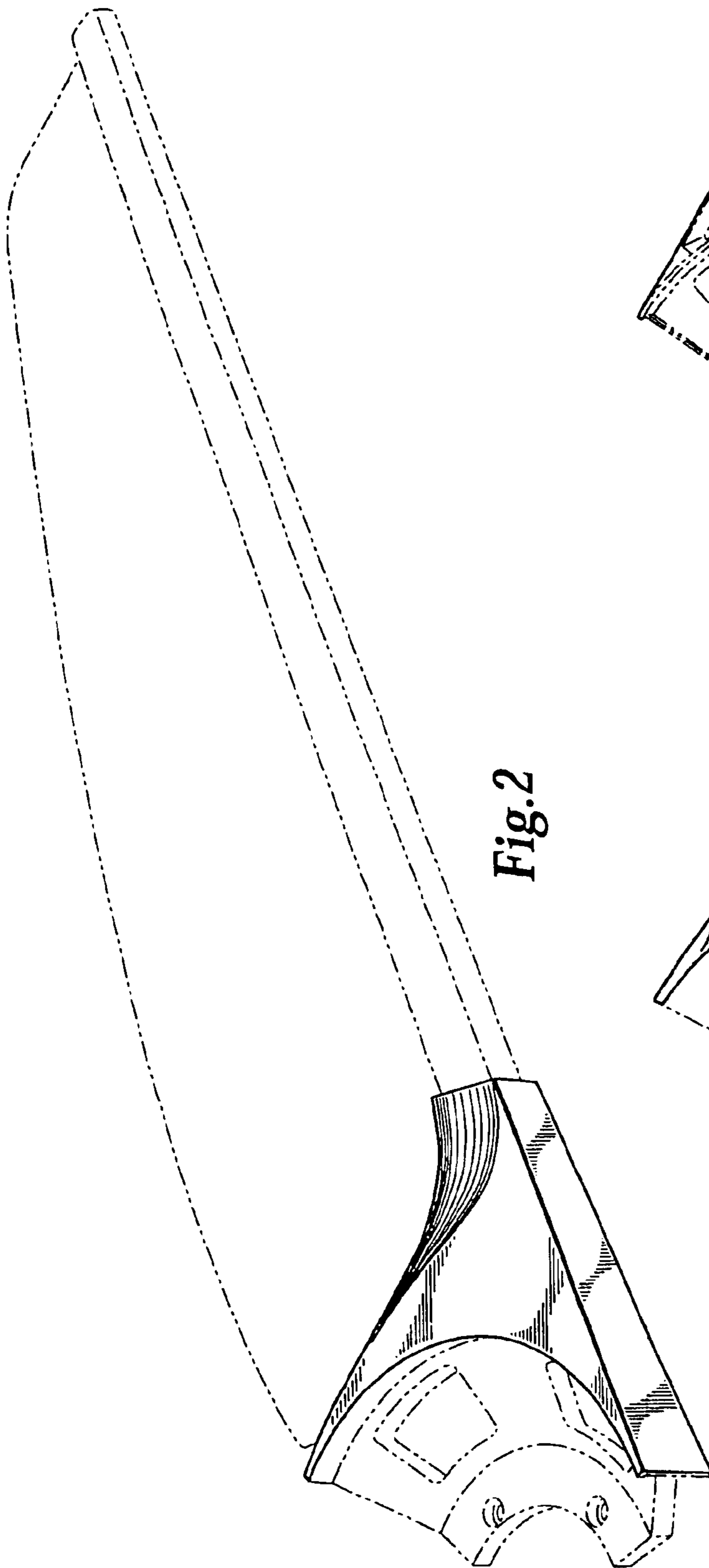


Fig. 1



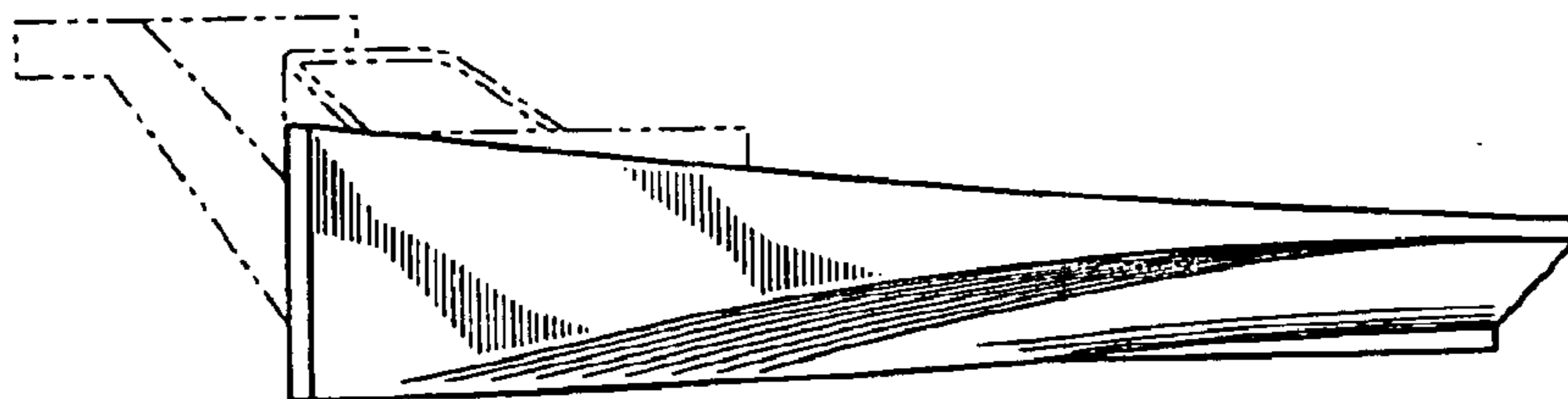
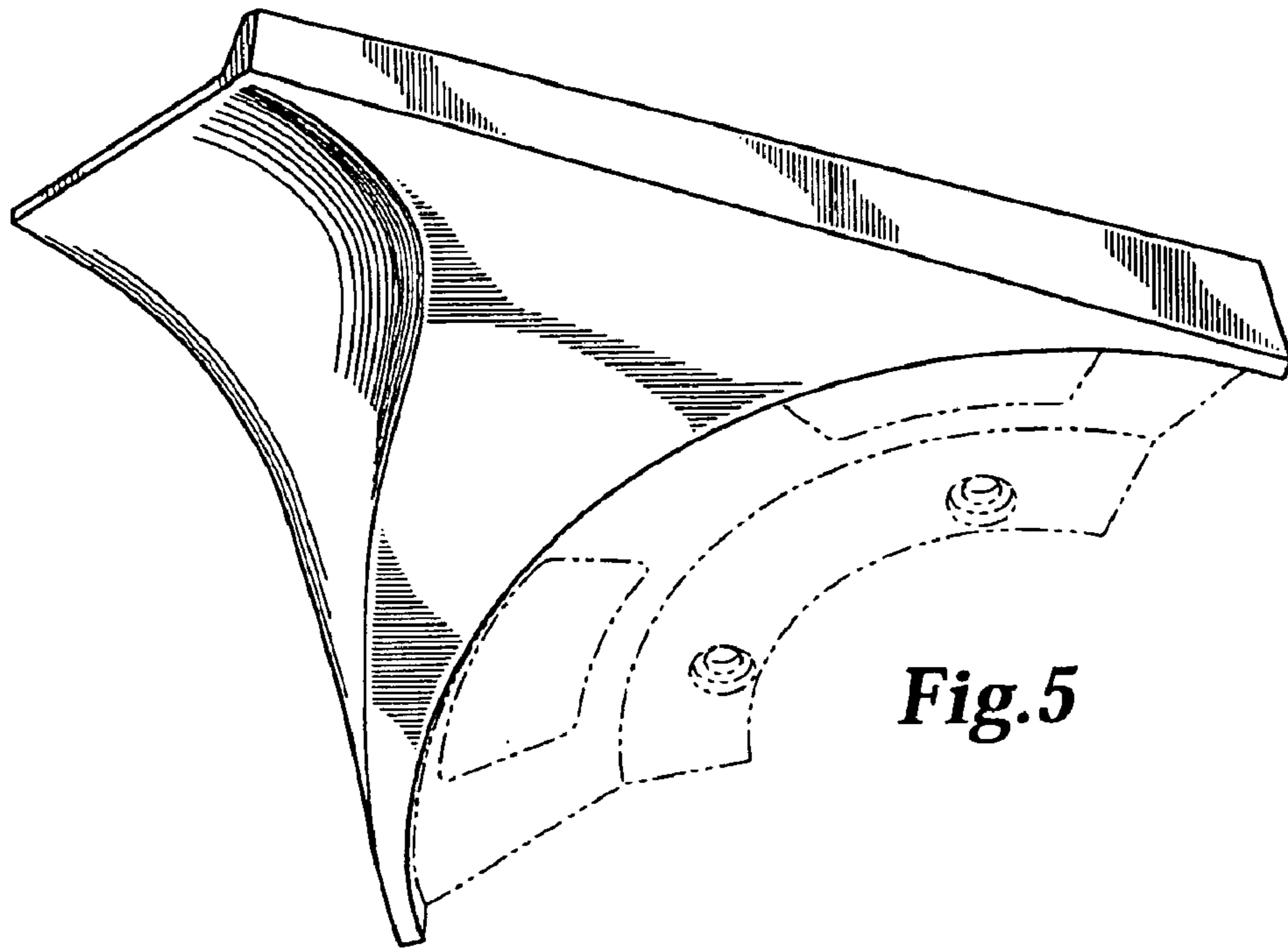


Fig. 6

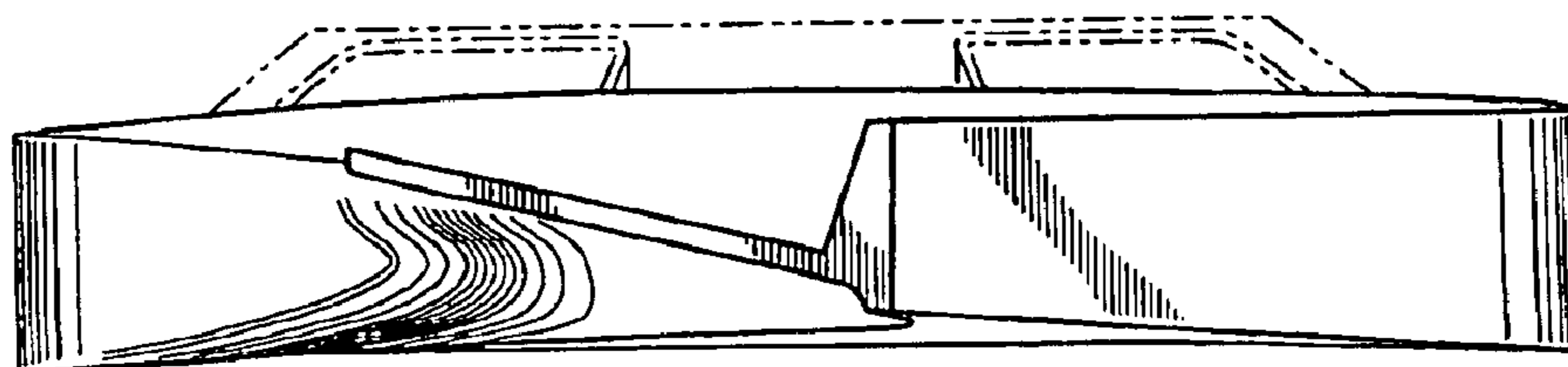


Fig. 7