

US00D523940S

(12) **United States Design Patent**  
**Trépanier**

(10) **Patent No.:** **US D523,940 S**

(45) **Date of Patent:** **\*\* \*Jun. 27, 2006**

(54) **SINK**

(75) **Inventor:** **Gaston Trépanier, Québec (CA)**

(73) **Assignee:** **Julien Inc., Quebec (CA)**

(\*) **Notice:** This patent is subject to a terminal disclaimer.

(\*\*) **Term:** **14 Years**

(21) **Appl. No.:** **29/223,143**

(22) **Filed:** **Feb. 10, 2005**

(30) **Foreign Application Priority Data**

Nov. 8, 2004 (CA) ..... 108018

(51) **LOC (8) Cl.** ..... **23-02**

(52) **U.S. Cl.** ..... **D23/287**

(58) **Field of Classification Search** ..... D23/270-273,  
D23/284-287, 290, 293.1, 303, 308; 4/662-666,  
4/619, 637-642, 661

See application file for complete search history.

(56) **References Cited**

**U.S. PATENT DOCUMENTS**

D313,068 S \* 12/1990 Kohler et al. .... D23/293.1  
D499,799 S \* 12/2004 Trepanier ..... D23/286

\* cited by examiner

*Primary Examiner*—Robert A. Delehanty

(74) *Attorney, Agent, or Firm*—Sutherland Asbill & Brennan LLP

(57) **CLAIM**

The ornamental design for a sink, as shown and described.

**DESCRIPTION**

FIG. 1 is a front perspective view of a sink, showing my new design;

FIG. 2 is a top plan view thereof;

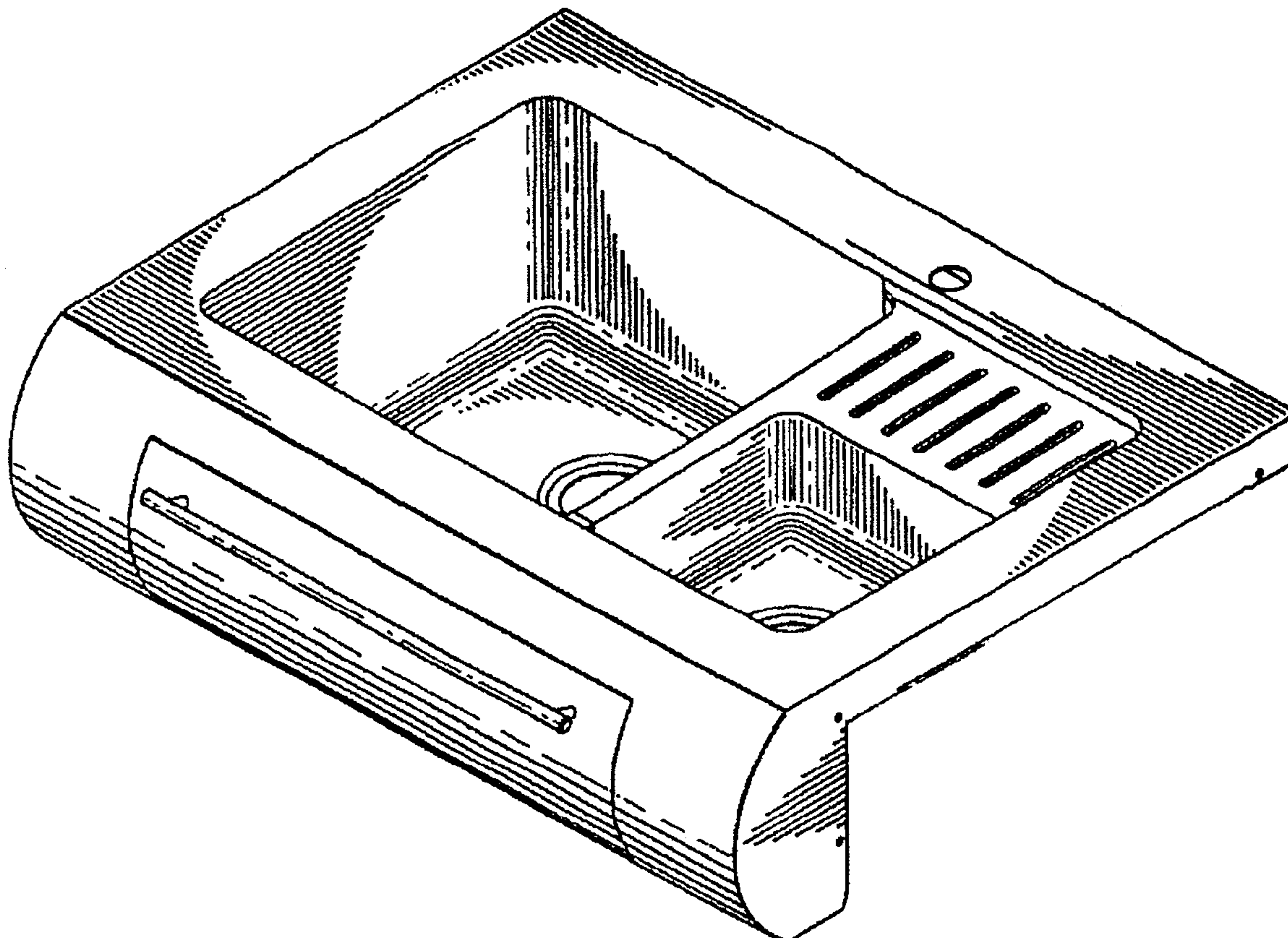
FIG. 3 is a front elevation view thereof;

FIG. 4 is a right side elevation view thereof;

FIG. 5 is a left side elevation view thereof; and,

FIG. 6 is a rear elevation view thereof.

**1 Claim, 3 Drawing Sheets**



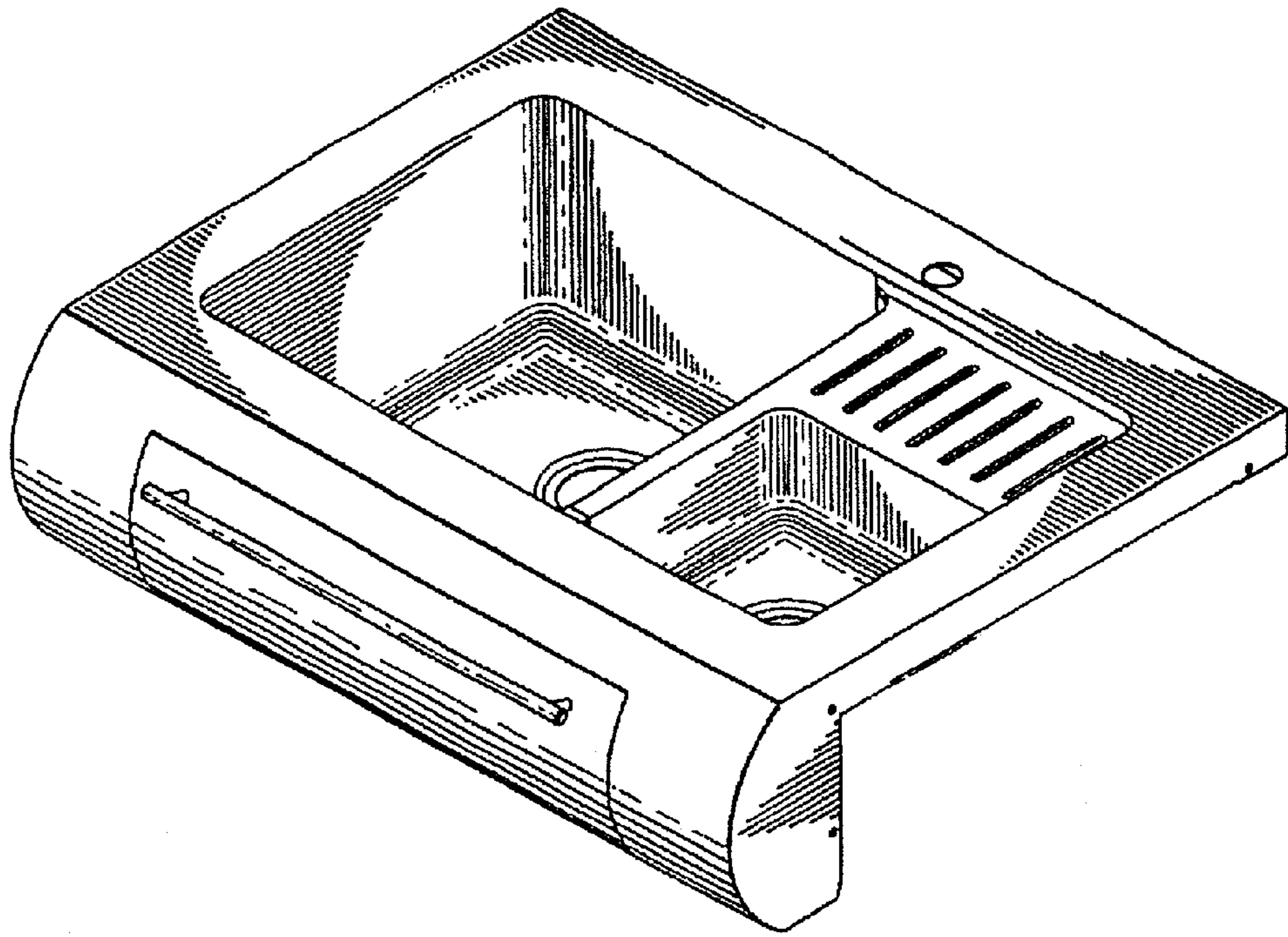


FIG-1

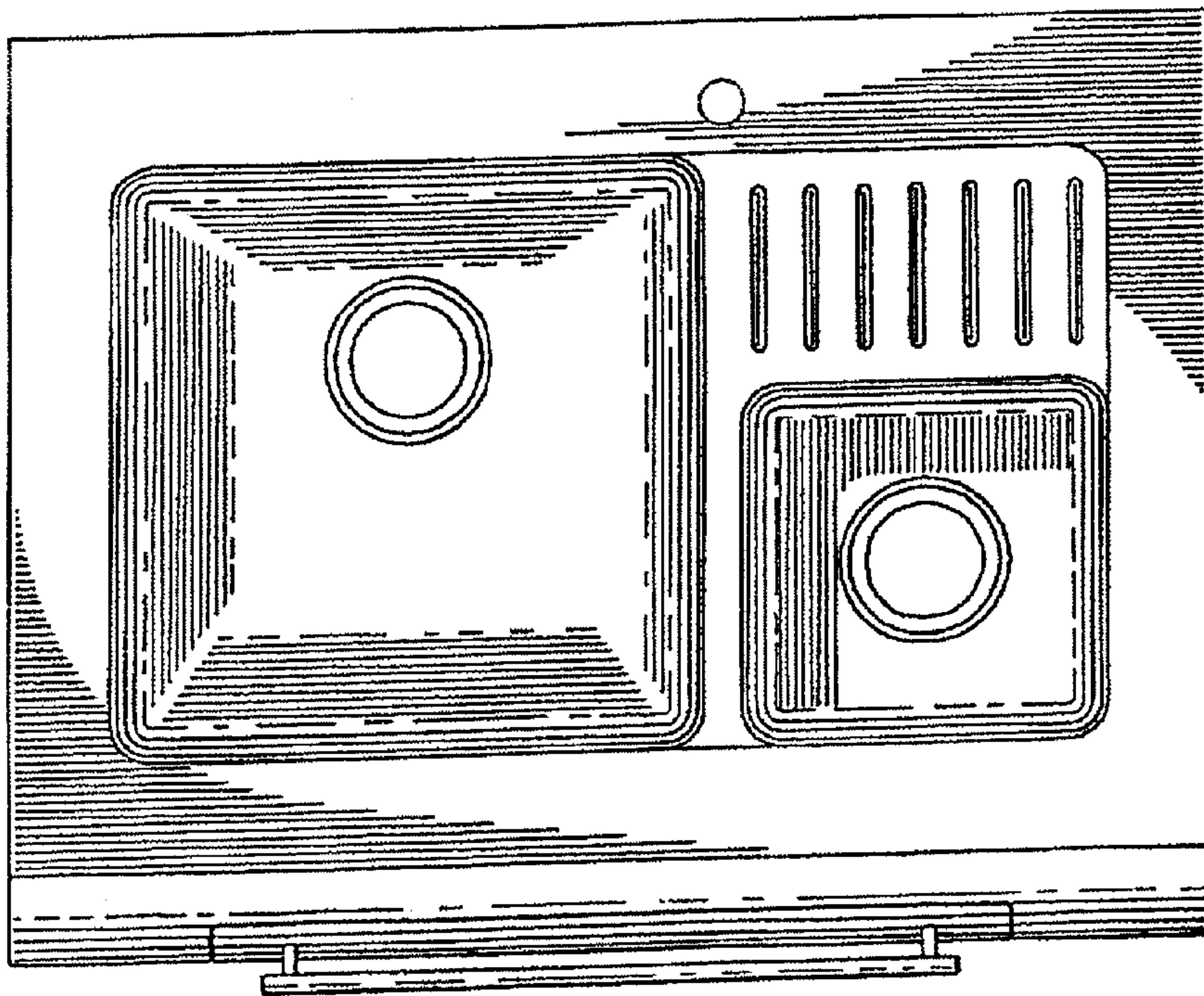


FIG-2

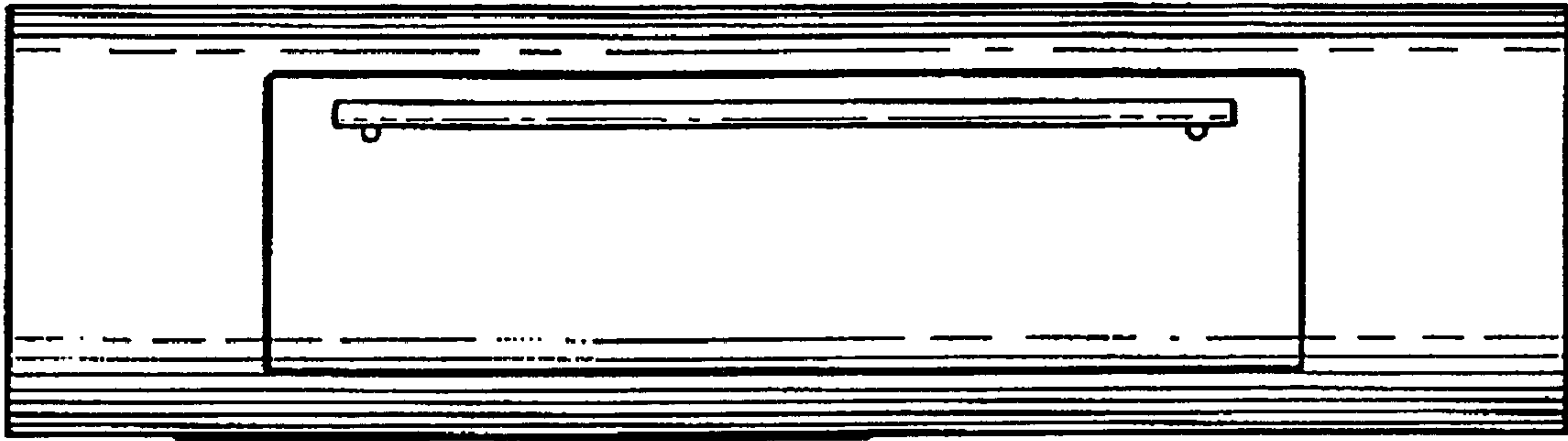


Fig-3

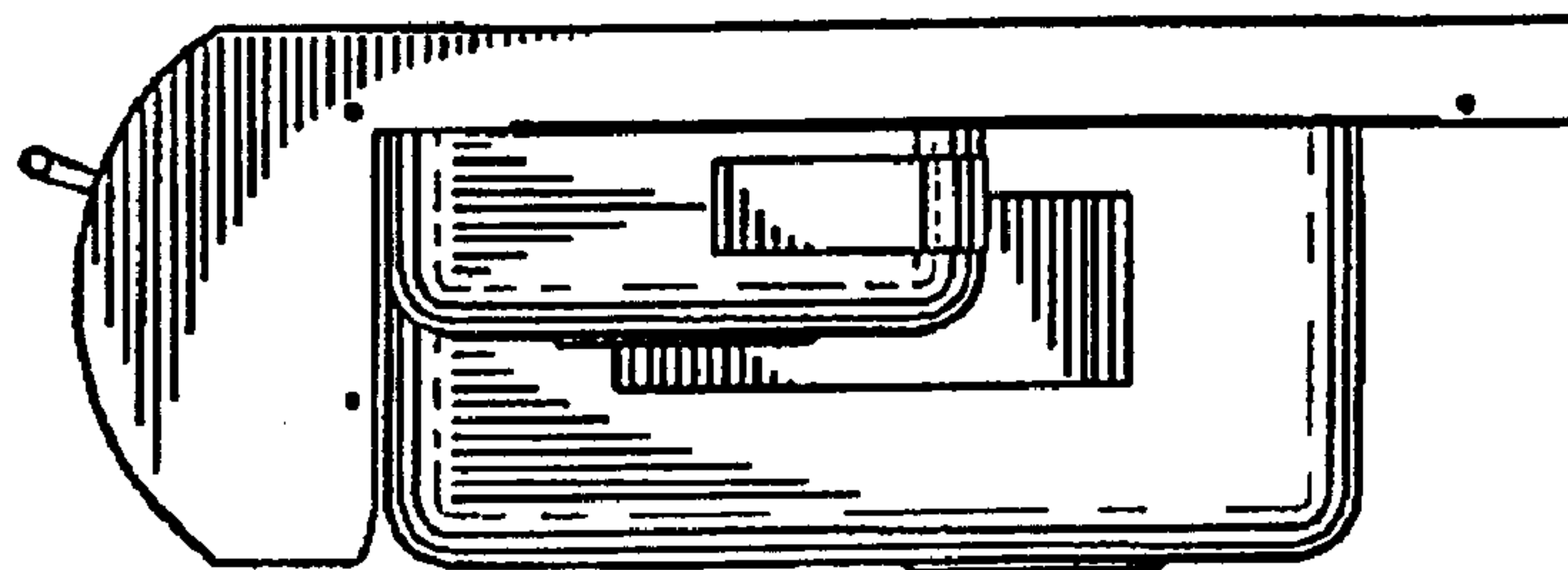


Fig-4



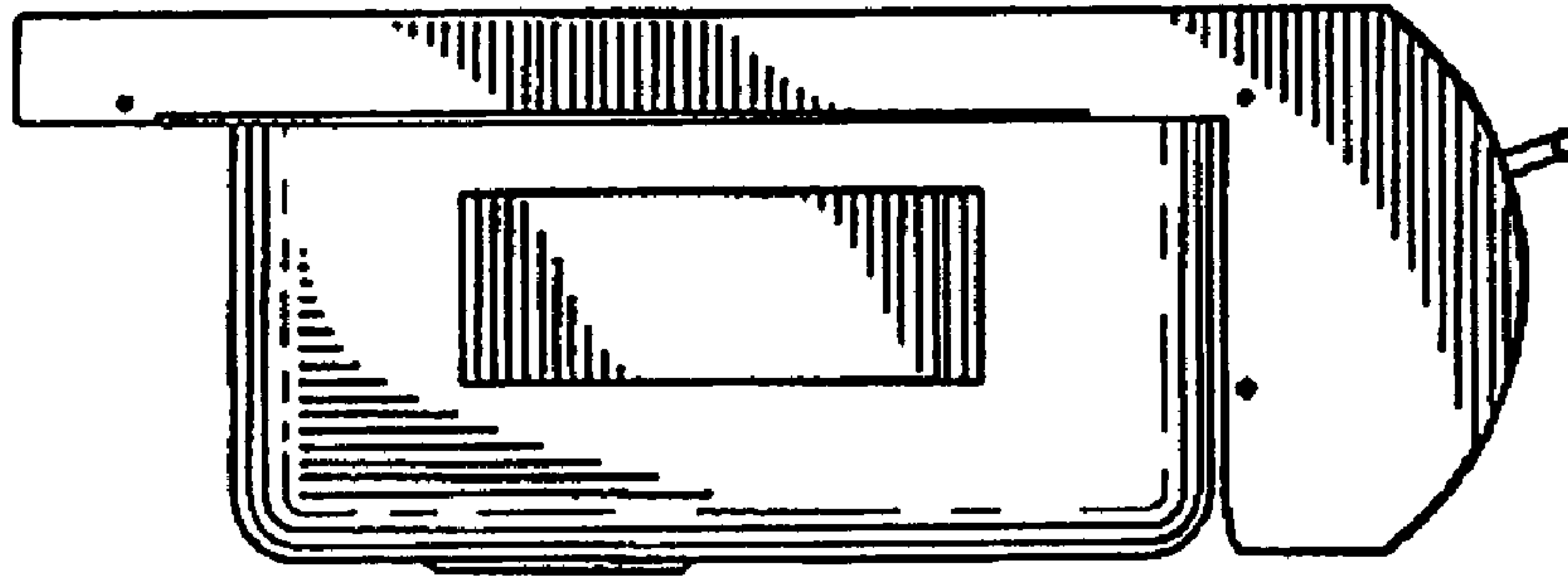


FIG. 5

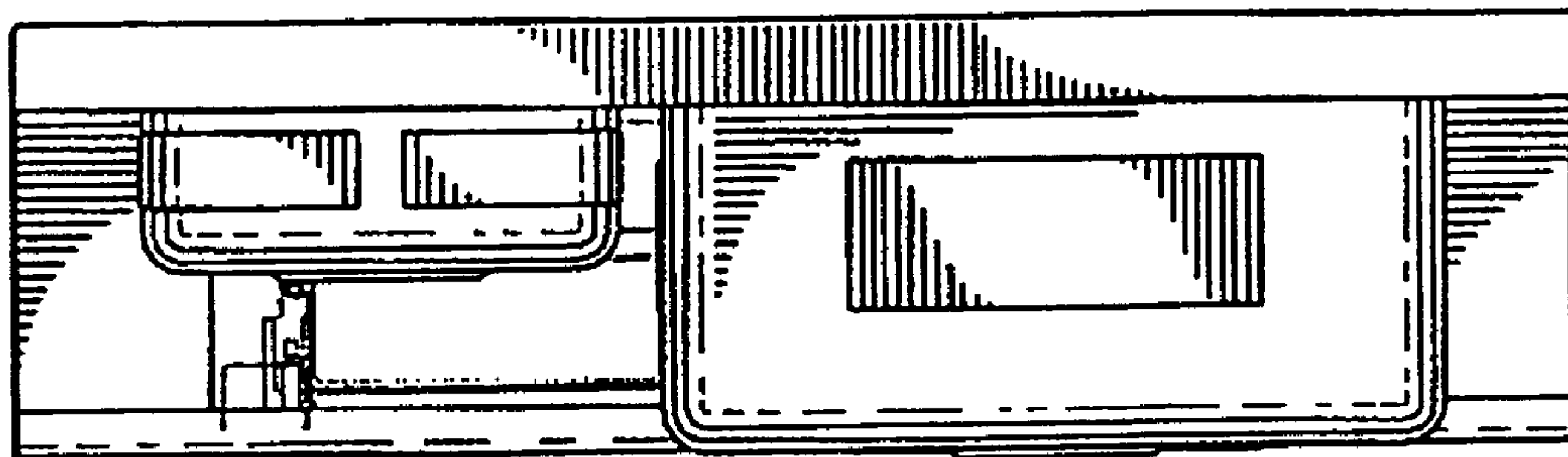


FIG. 6