

US00D523929S

(12) **United States Design Patent**
Chung

(10) **Patent No.:** **US D523,929 S**

(45) **Date of Patent:** **** Jun. 27, 2006**

(54) **HOT/COLD WATER MIXING FAUCET**

(76) Inventor: **Chiu-Chih Chung**, No. 31, Lane 275,
Sec. 4, Lu Ho Rd., Lu Kan Chen,
Chunghua Hsien (TW)

(**) Term: **14 Years**

(21) Appl. No.: **29/230,728**

(22) Filed: **May 26, 2005**

(51) **LOC (8) Cl.** **23-01**

(52) **U.S. Cl.** **D23/249; D23/241; D23/242**

(58) **Field of Classification Search** **D23/238-257;**
4/675; 137/801, 615

See application file for complete search history.

(56) **References Cited**

U.S. PATENT DOCUMENTS

- D45,574 S * 4/1914 Speakerman D23/241
- D77,022 S * 11/1928 Mueller D23/240
- D80,439 S * 2/1930 Fraser D23/240
- D83,674 S * 3/1931 Fraser D23/240

- D111,011 S * 8/1938 Bloch D23/240
- D426,289 S * 6/2000 Levine D23/303
- D428,473 S * 7/2000 Milrud et al. D23/241

* cited by examiner

Primary Examiner—Louis S. Zarfaz

Assistant Examiner—G. Andoll

(74) *Attorney, Agent, or Firm*—Troxell Law Office, PLLC

(57) **CLAIM**

The ornamental design for a hot/cold water mixing faucet, as shown and described.

DESCRIPTION

FIG. 1 is a front elevation view of my new design for a hot/cold water mixing faucet.

FIG. 2 is a left side view thereof.

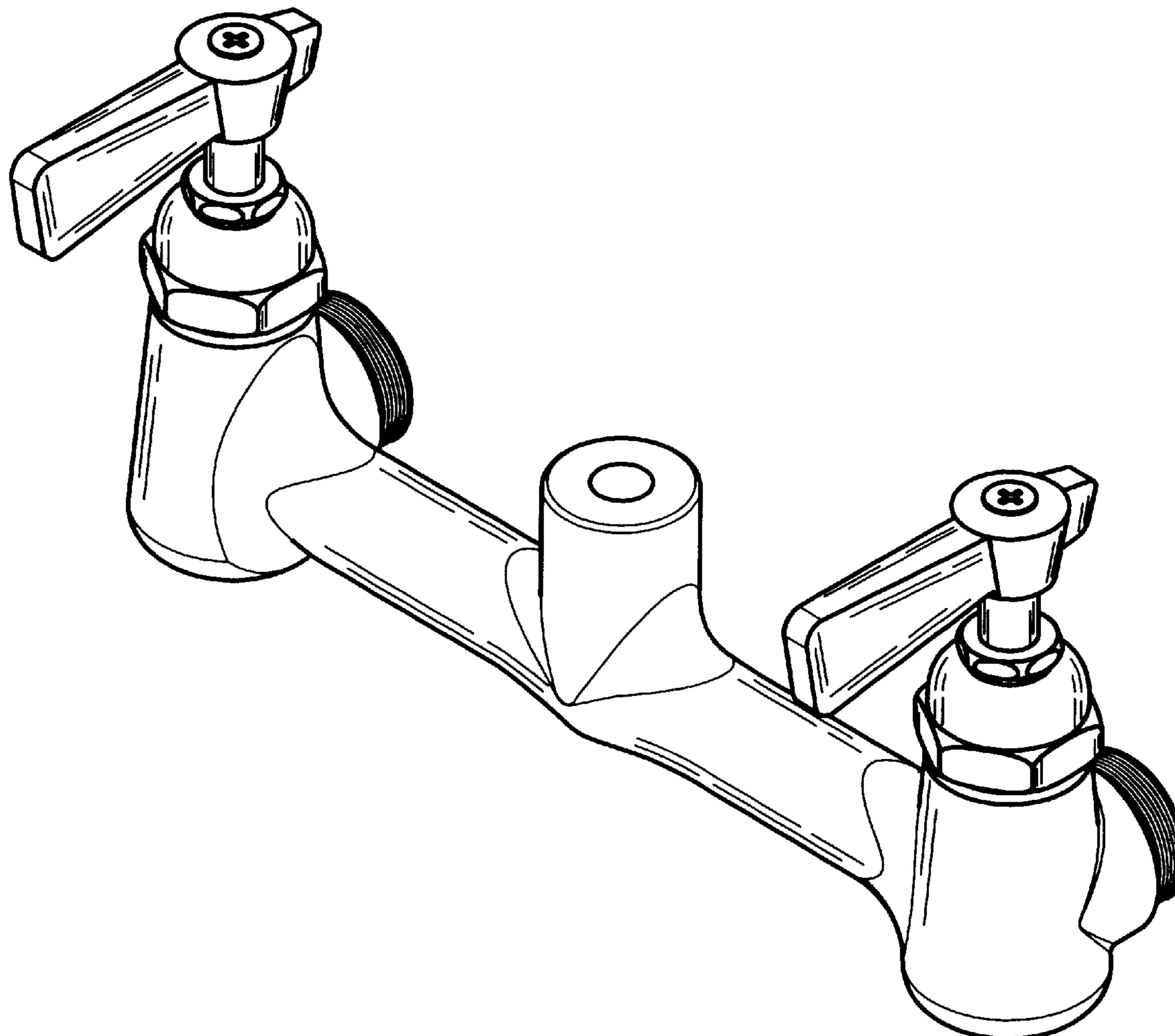
FIG. 3 is a right side view thereof.

FIG. 4 is a top plane view thereof.

FIG. 5 is a bottom plane view thereof; and,

FIG. 6 is a perspective view of thereof.

1 Claim, 4 Drawing Sheets



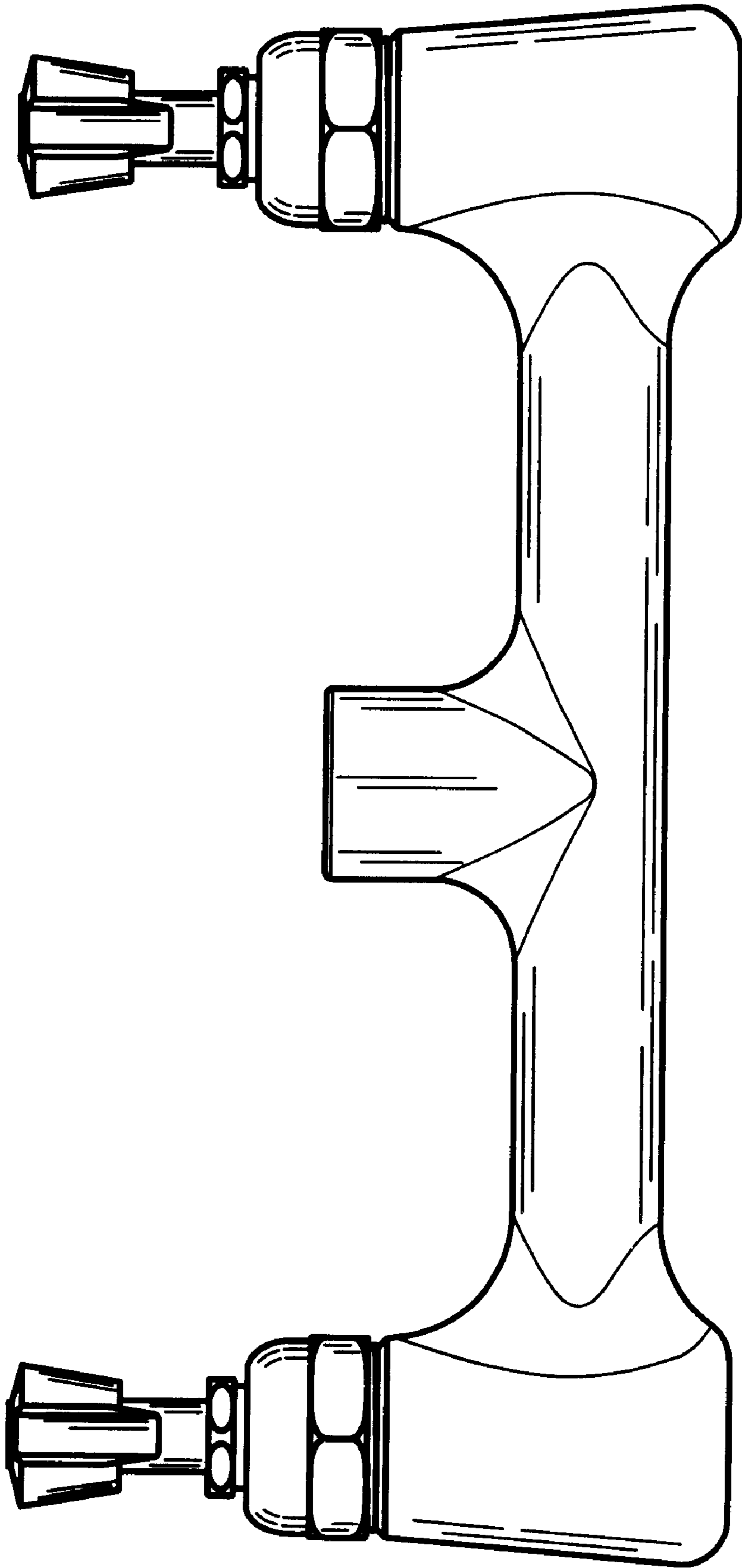


FIG. 1

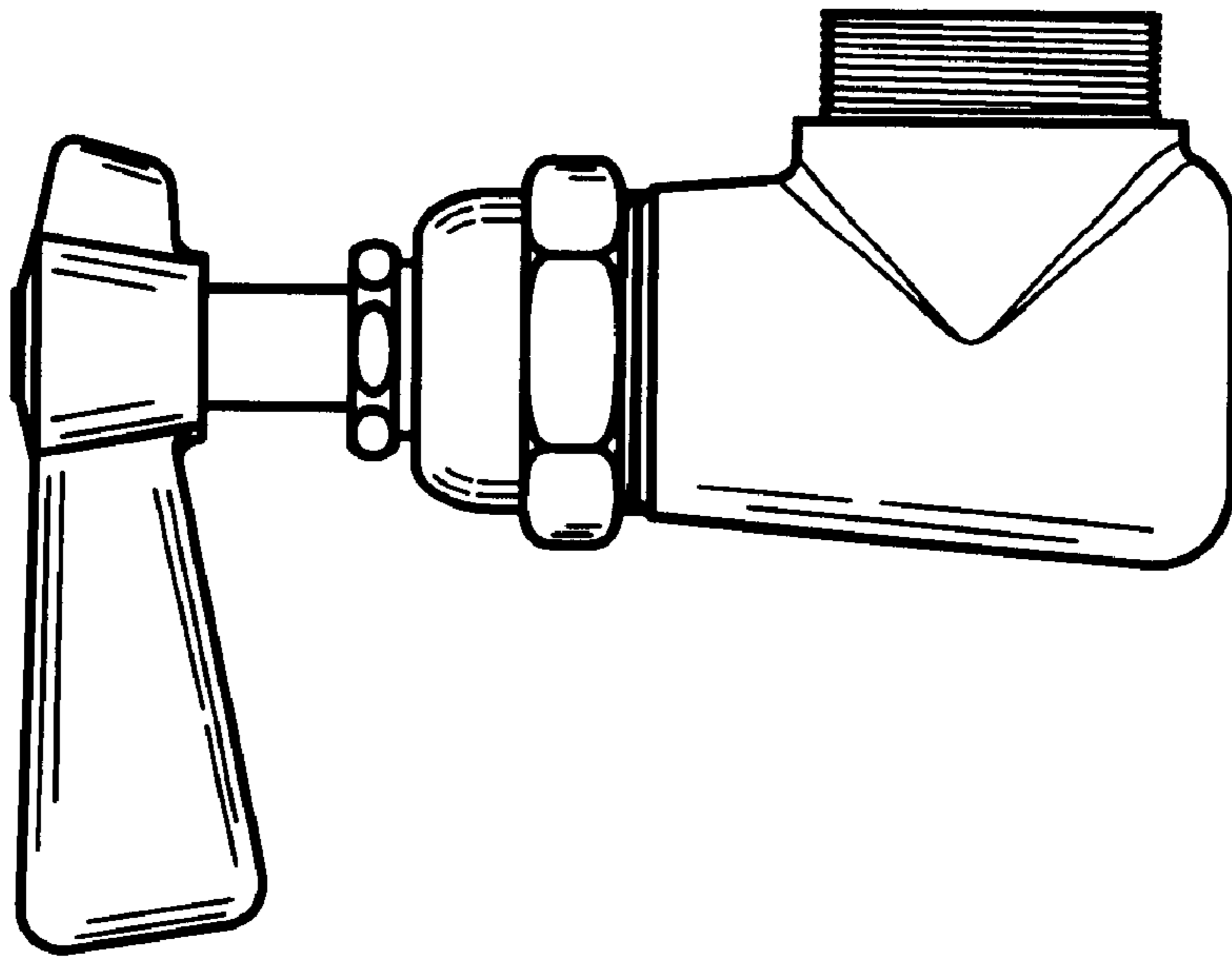


FIG. 3

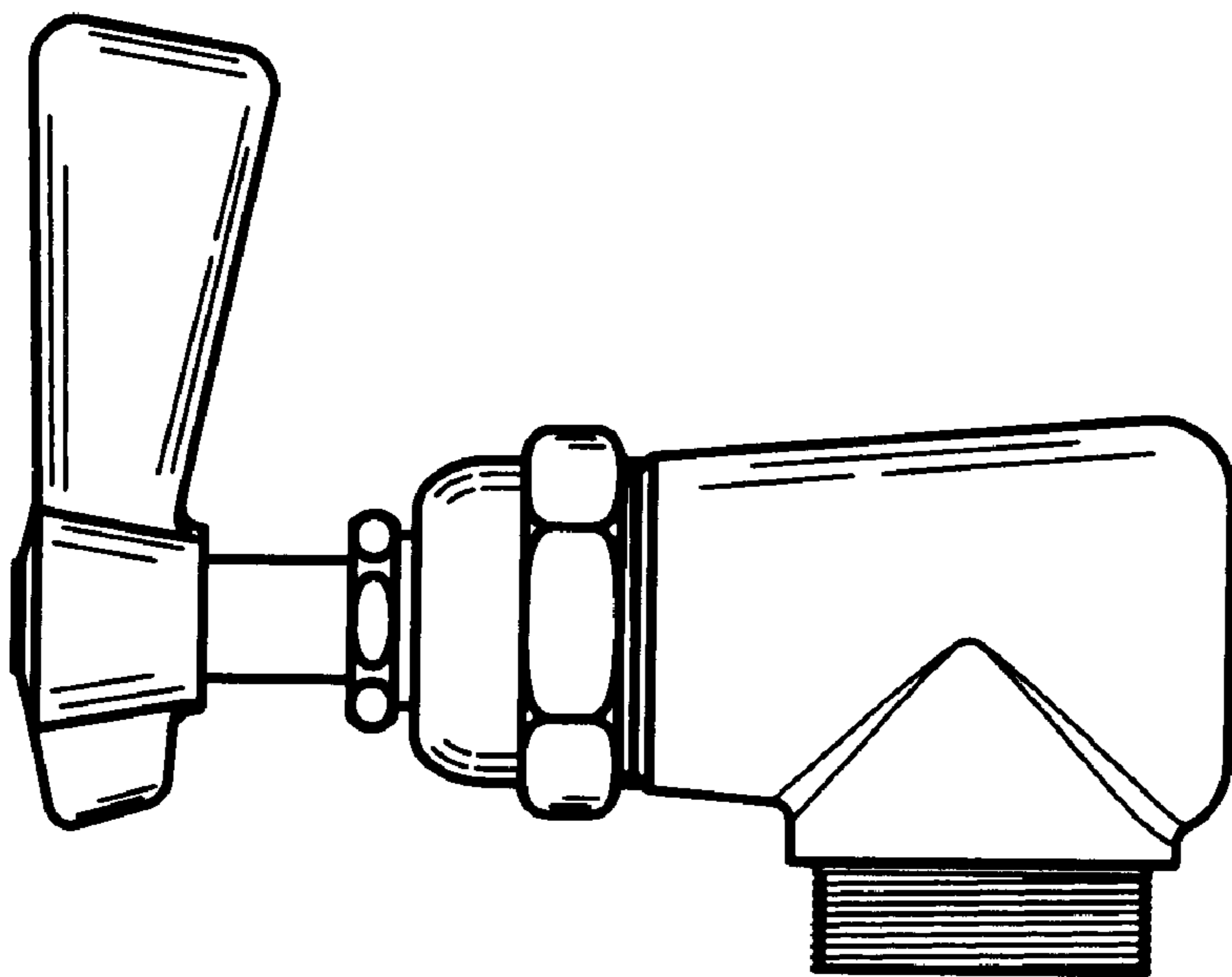
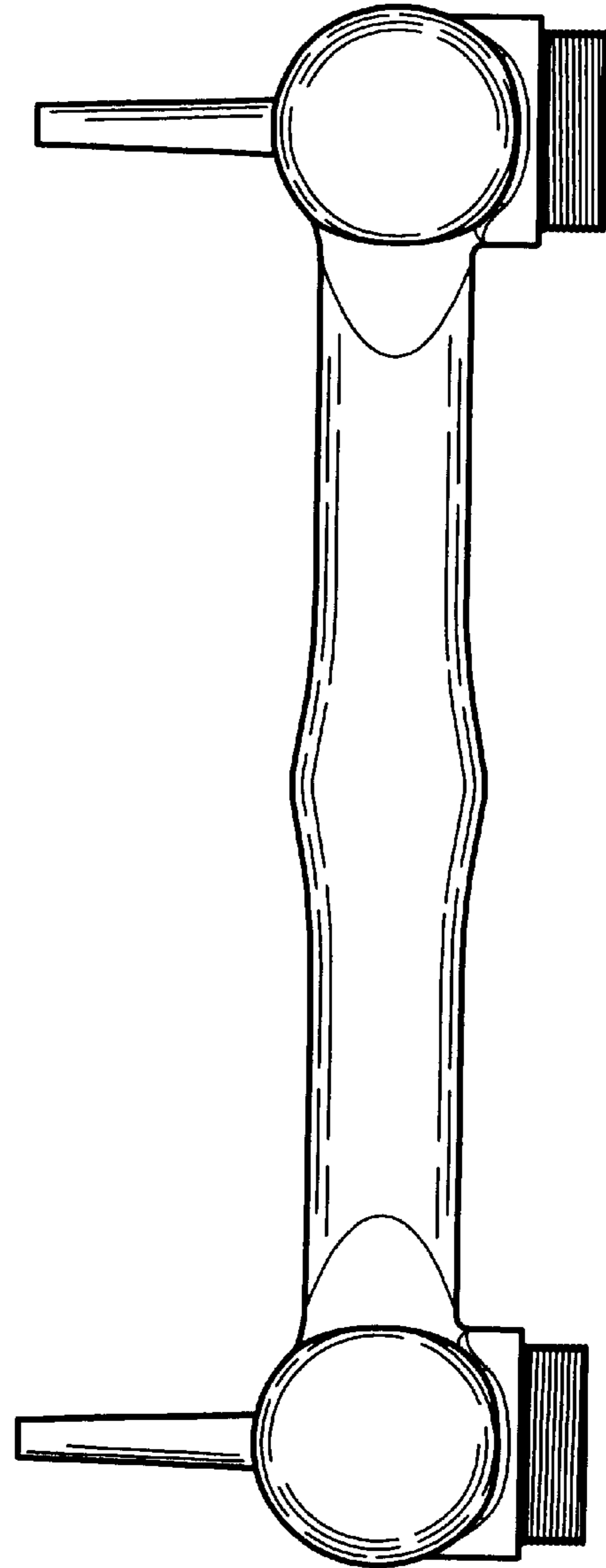
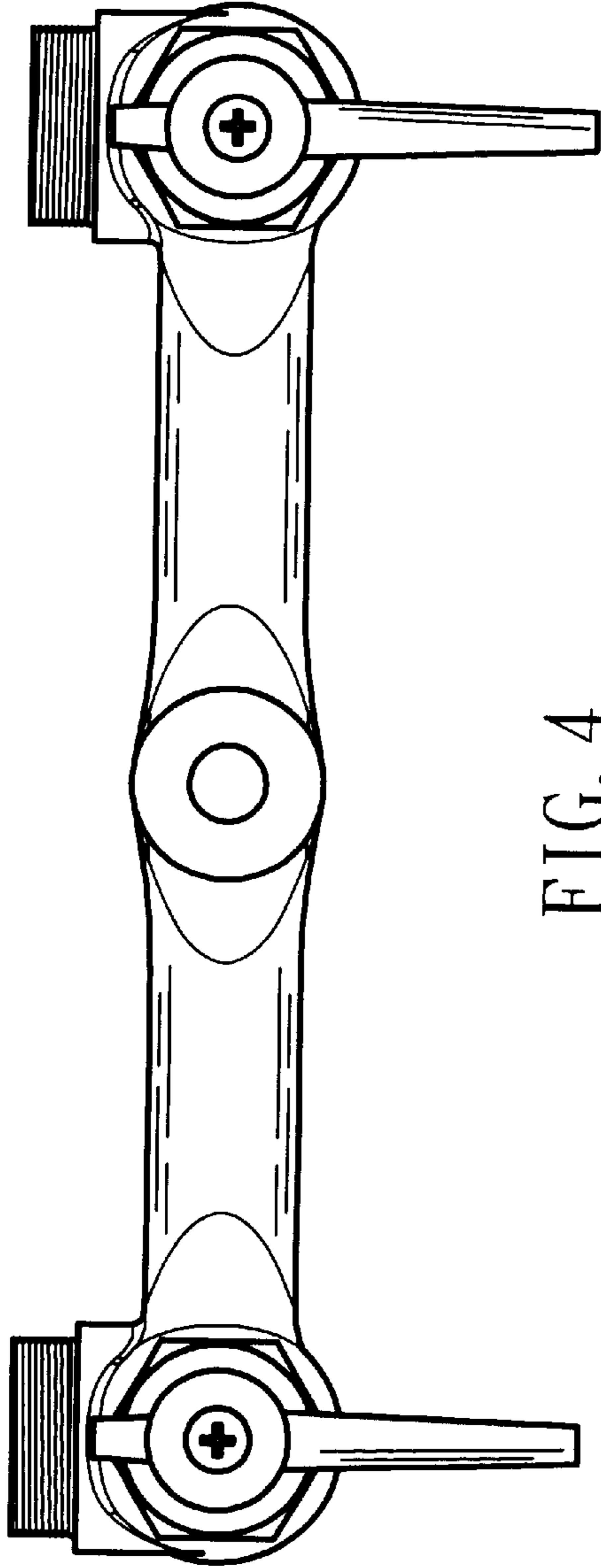


FIG. 2



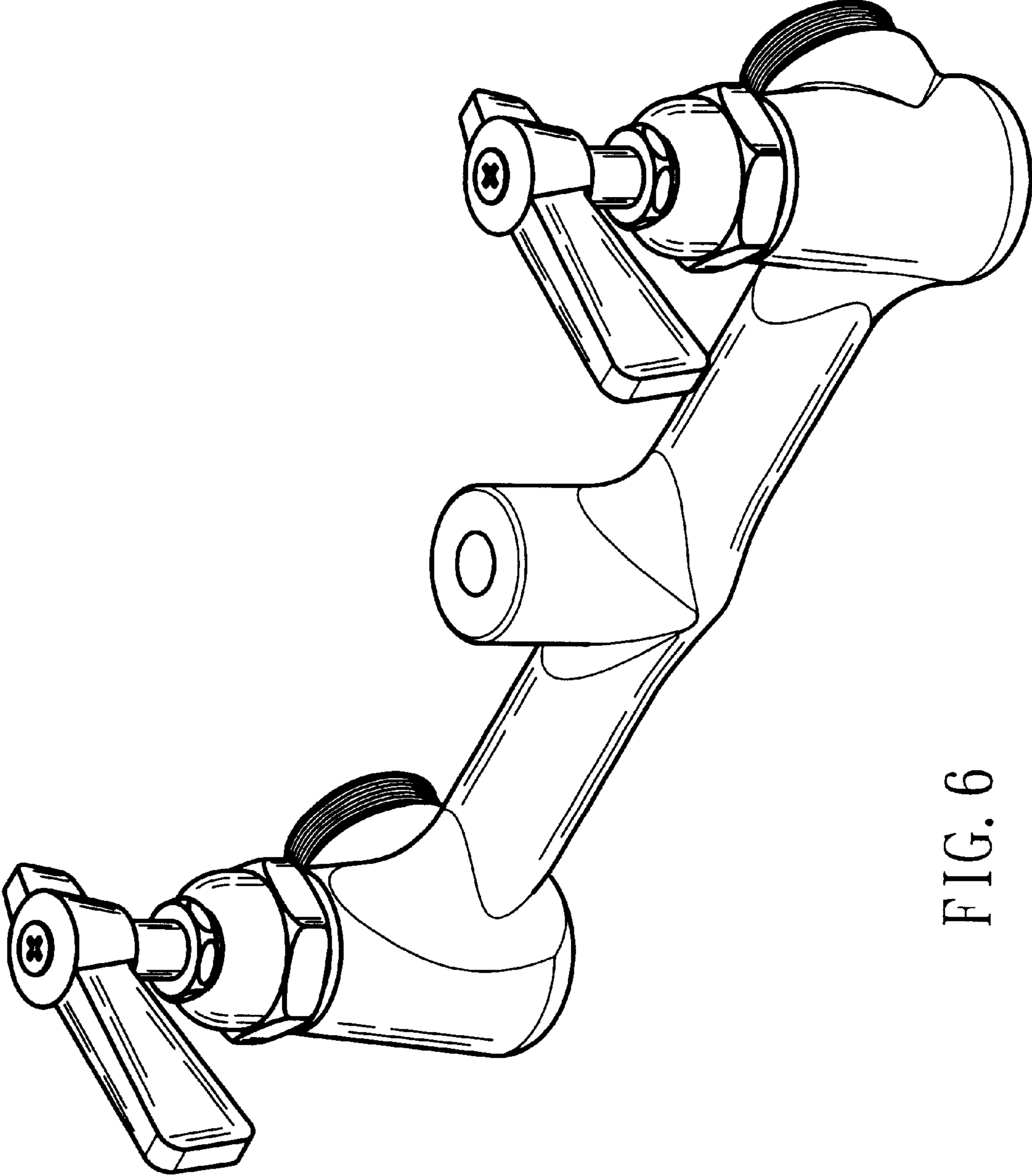


FIG. 6