



US00D523928S

(12) **United States Design Patent**
Chung

(10) **Patent No.:** **US D523,928 S**

(45) **Date of Patent:** **** Jun. 27, 2006**

(54) **VERTICAL FAUCET**

D331,796 S * 12/1992 Spangler D23/241
D479,870 S * 9/2003 Hung D23/241

(76) Inventor: **Chiu-Chih Chung**, No. 31, Lane 275,
Sec. 4, Lu Ho Rd., Lu Kan Chen,
Chunghua Hsien (TW)

* cited by examiner

(**) Term: **14 Years**

Primary Examiner—Louis S. Zarfes
Assistant Examiner—Gregory Andoll
(74) *Attorney, Agent, or Firm*—Troxell Law Office, PLLC

(21) Appl. No.: **29/230,726**

(57) **CLAIM**

(22) Filed: **May 26, 2005**

The ornamental design for a vertical faucet, as shown and described.

(51) **LOC (8) Cl.** **23-01**

(52) **U.S. Cl.** **D23/249**

(58) **Field of Classification Search** D23/238–257;
4/675; 137/801, 615

See application file for complete search history.

DESCRIPTION

FIG. 1 is a front elevation view of a vertical faucet showing my new design;

FIG. 2 is a rear elevation view thereof;

FIG. 3 is a left side view thereof;

FIG. 4 is a right side view thereof;

FIG. 5 is a top plan view thereof; and,

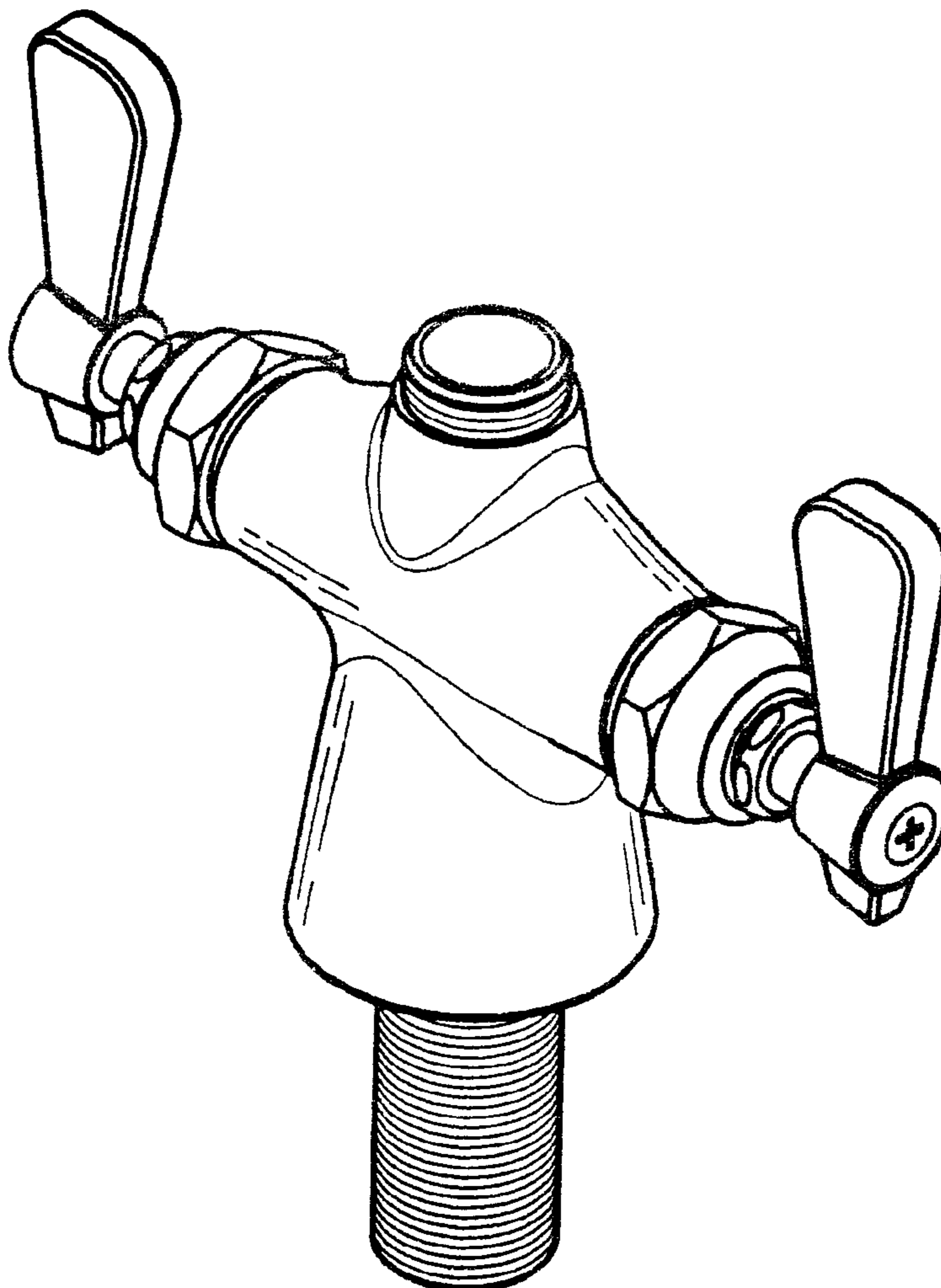
FIG. 6 is a perspective view thereof.

(56) **References Cited**

U.S. PATENT DOCUMENTS

D21,933 S * 10/1892 Graham D23/240
1,462,413 A * 7/1923 Kersten 4/676
D282,197 S * 1/1986 Hu D23/241

1 Claim, 4 Drawing Sheets



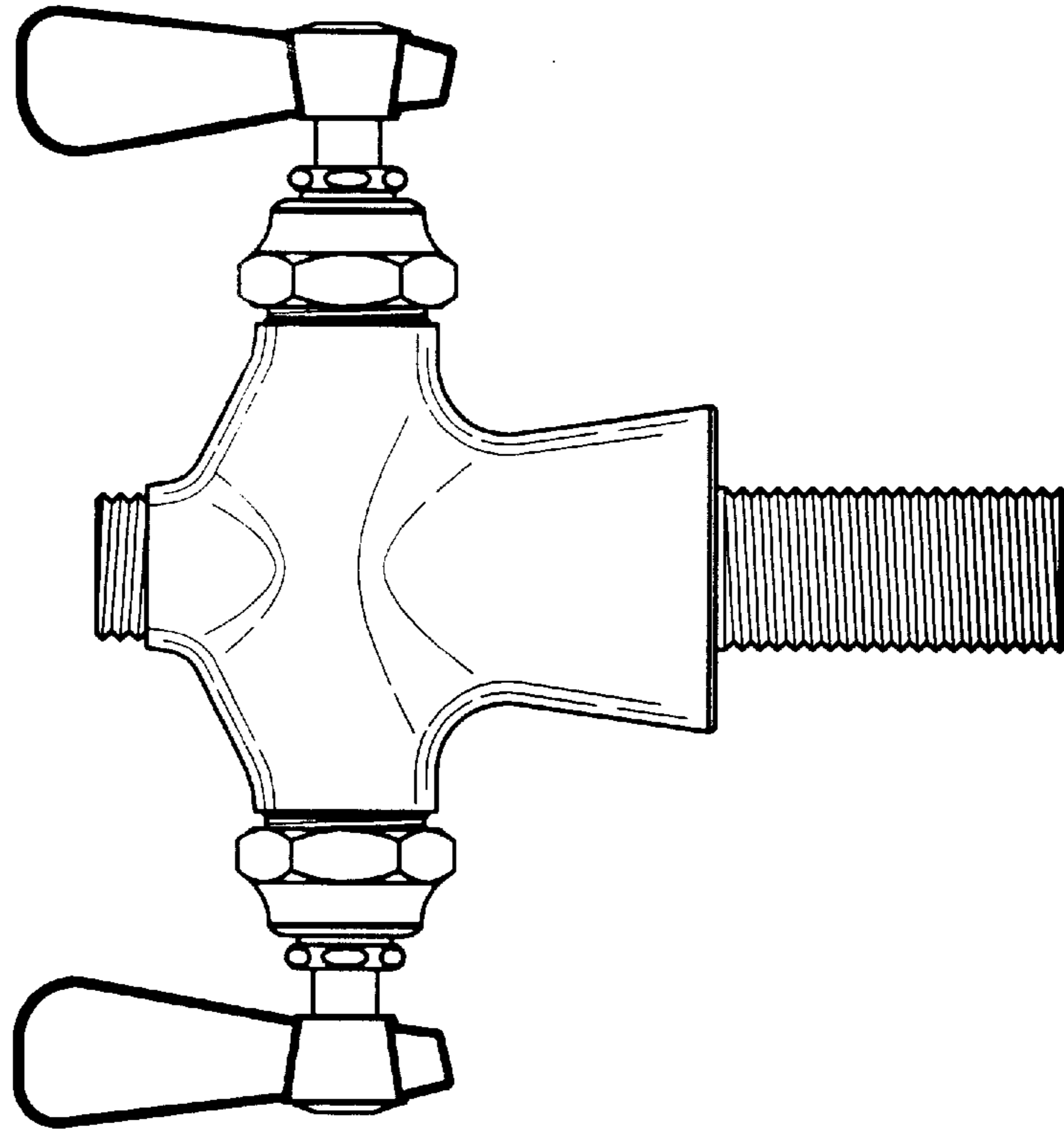


FIG. 2

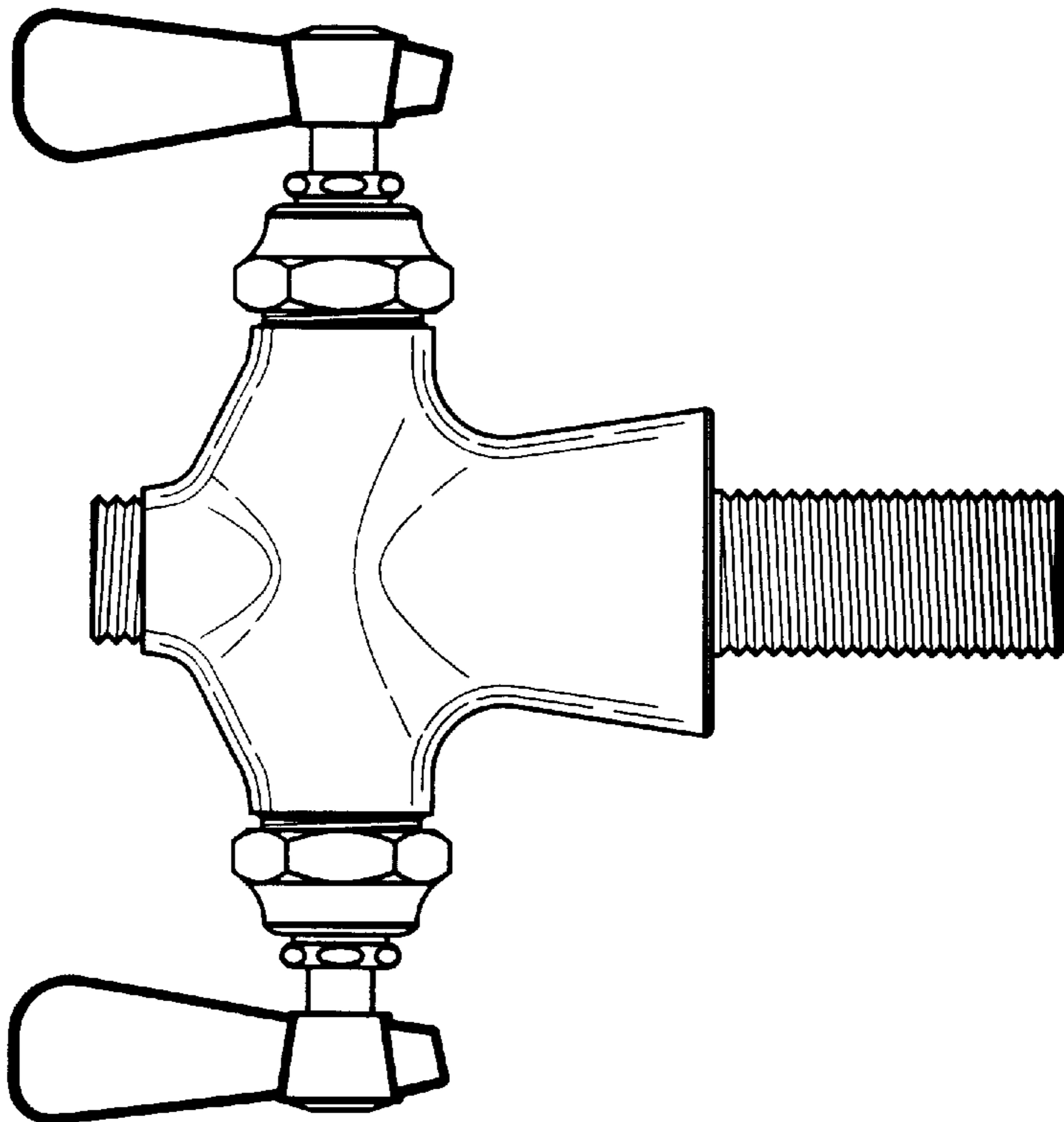


FIG. 1

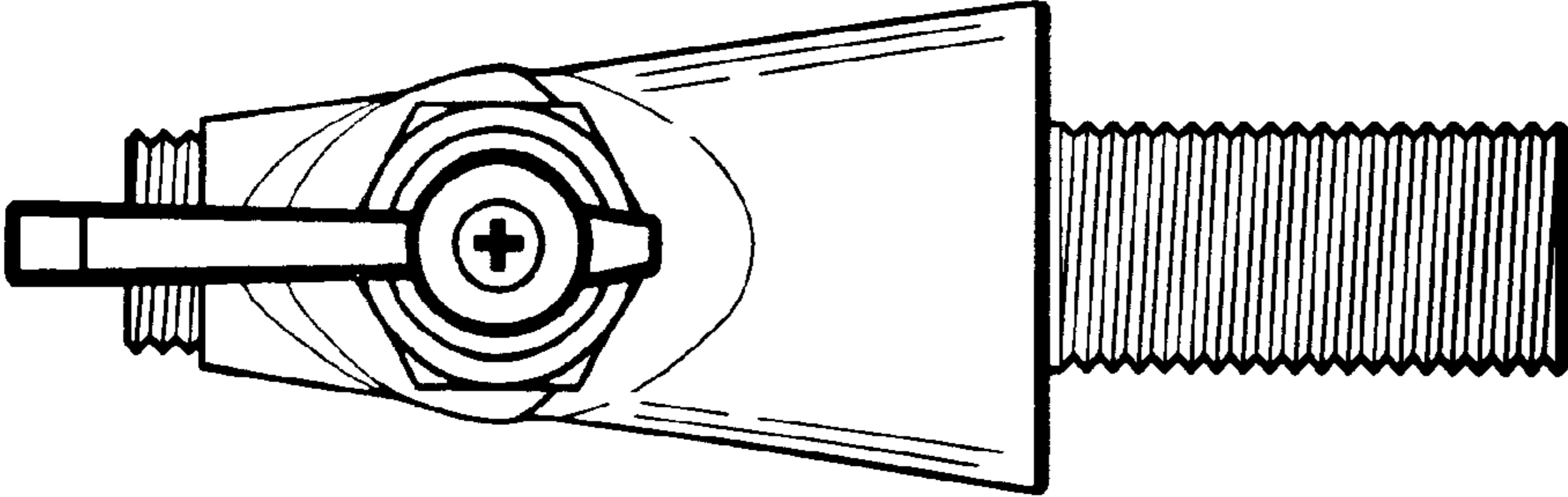


FIG. 4

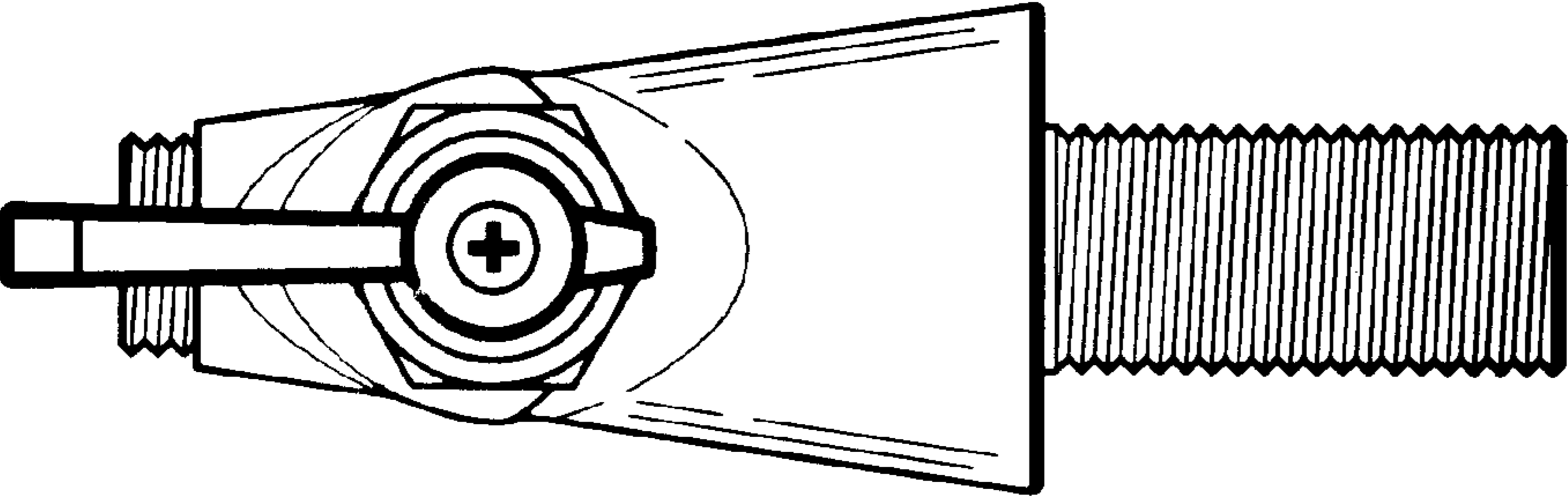


FIG. 3

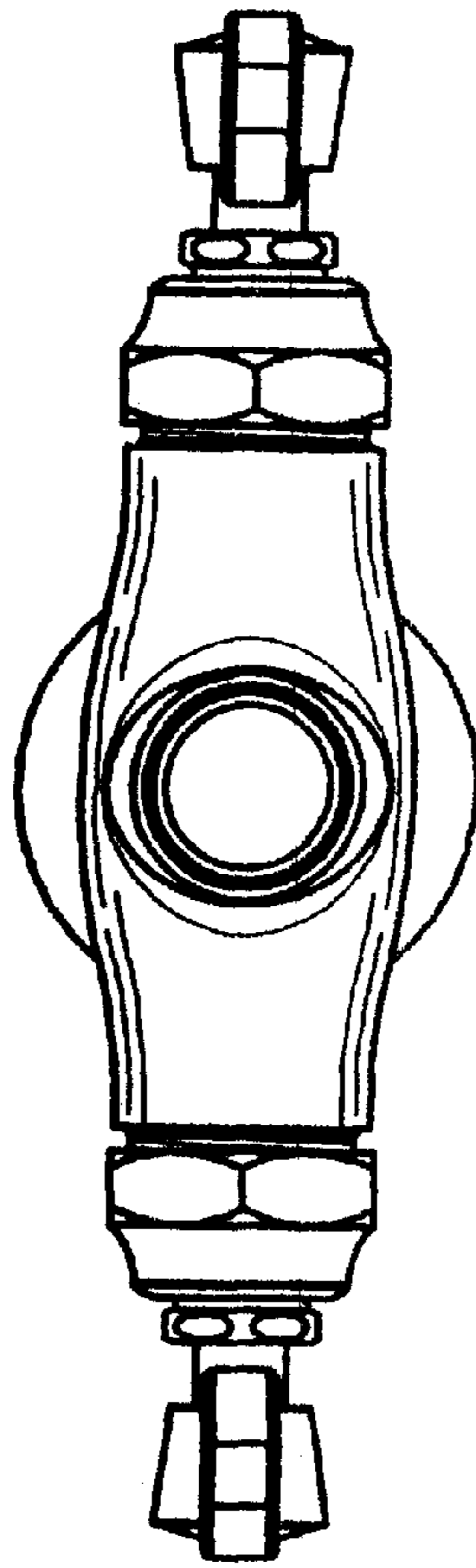


FIG. 5

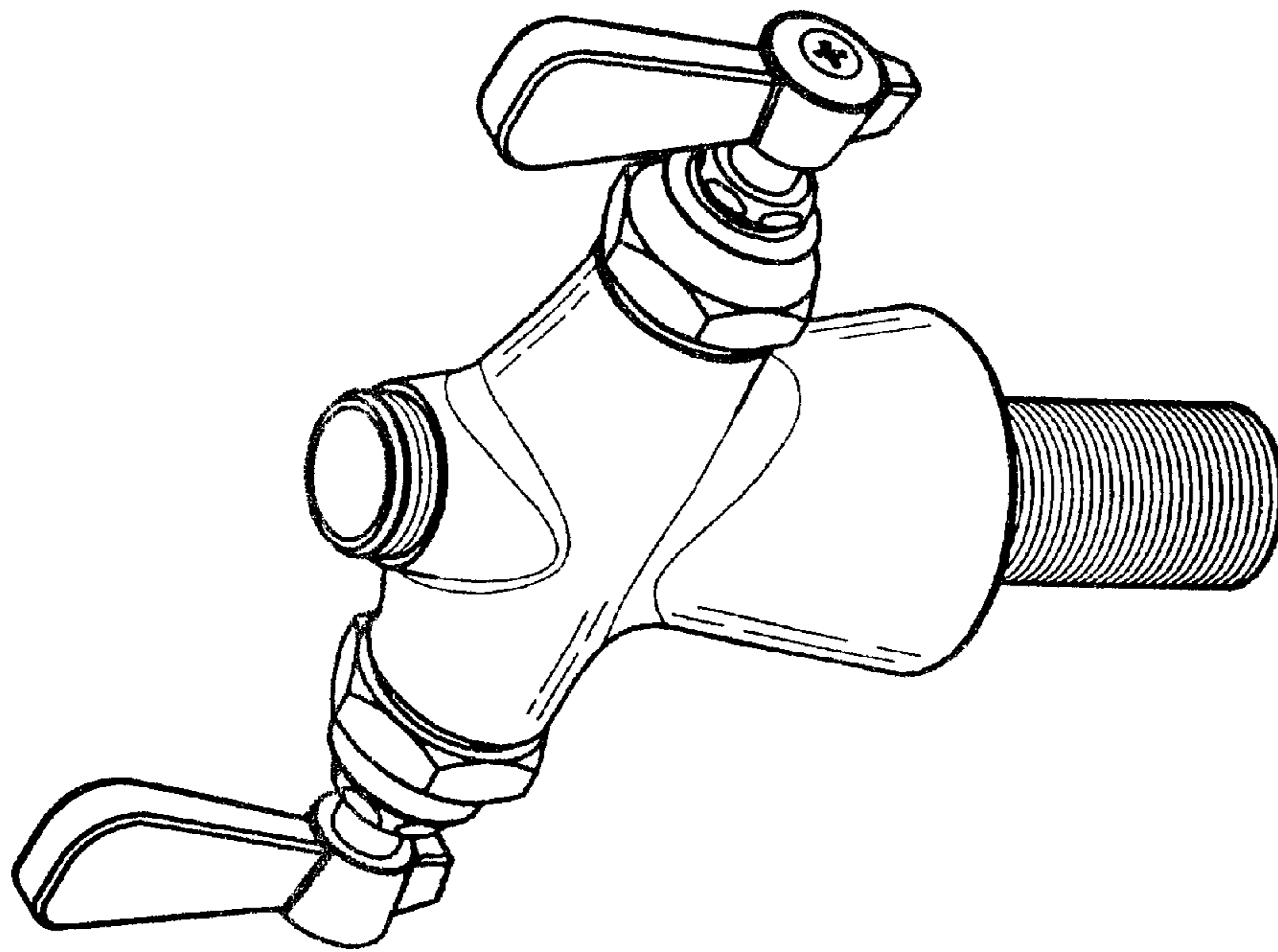


FIG. 6