



US00D523927S

(12) **United States Design Patent**
Crowley

(10) **Patent No.:** **US D523,927 S**

(45) **Date of Patent:** **** Jun. 27, 2006**

(54) **ROOF-MOUNTED POP-UP FIRE SUPPRESSION SPRINKLER WITH CONCEALMENT**

(76) Inventor: **Joseph T. Crowley**, 2294A Batavia, Orange, CA (US) 92865

(**) Term: **14 Years**

(21) Appl. No.: **29/226,057**

(22) Filed: **Mar. 23, 2005**

(51) **LOC (8) Cl.** **23-01**

(52) **U.S. Cl.** **D23/214**

(58) **Field of Classification Search** D23/214, D23/215, 217, 218; 239/201–203, 208, 289; 169/56, 46–7, 16

See application file for complete search history.

(56) **References Cited**

U.S. PATENT DOCUMENTS

1,489 A	10/1840	Lowell	
128,534 A	7/1872	Carl	
647,875 A	4/1900	Piepenbrink	
964,464 A	7/1910	Crawford-Frost	
1,208,349 A	12/1916	Moody	
1,285,236 A	11/1918	Kohler	
1,507,350 A	9/1924	Franzen	
1,620,142 A	3/1927	Thompson	
1,644,603 A	10/1927	O'Neill	
1,831,880 A	11/1931	Pierce	
1,837,322 A	12/1931	Hamilton	
1,893,210 A	1/1933	Rider	
1,936,732 A	11/1933	Renard	
2,337,710 A	12/1943	Cowan	
2,757,965 A	8/1956	Andrews	
2,865,674 A	12/1958	Jelmeland	
2,968,440 A	* 1/1961	Cone	239/203
3,009,647 A	* 11/1961	Hait	239/201
3,179,181 A	4/1965	Banzato	
3,576,212 A	4/1971	Siler	
3,583,490 A	6/1971	McFadden	
4,091,876 A	5/1978	Valdatta	
4,175,703 A	11/1979	Valiant	
4,330,040 A	5/1982	Ence	
4,372,493 A	2/1983	Smith	
4,428,434 A	1/1984	Gelaude	

4,453,155 A	6/1984	Cooper	
4,824,020 A	4/1989	Harward	
4,836,290 A	6/1989	LeLande, Jr.	
4,936,388 A	6/1990	LeLande	
4,991,657 A	2/1991	LeLande, Jr.	
5,083,618 A	1/1992	Hayes	
5,125,458 A	6/1992	Berman	
5,165,482 A	11/1992	Smagac et al.	
5,263,543 A	11/1993	Nigro	
D388,502 S	* 12/1997	Kah, III D23/214
5,692,571 A	12/1997	Jackson	
5,732,511 A	3/1998	Scott	
6,079,501 A	6/2000	Schmidt	
6,109,361 A	8/2000	Henderson	
6,167,971 B1	1/2001	Van Lingen	
6,360,968 B1	3/2002	Orrange et al.	
6,450,264 B1	9/2002	Christian	
6,502,764 B1	* 1/2003	Walker 239/203
6,523,616 B1	2/2003	Wallace	
6,629,569 B1	10/2003	Adams	
6,629,648 B1	* 10/2003	Jones 239/203
6,679,337 B1	1/2004	Perry et al.	
6,799,732 B1	* 10/2004	Sirkin 239/205
6,929,072 B1	* 8/2005	Brown 169/46

* cited by examiner

Primary Examiner—Robin Webster

(74) *Attorney, Agent, or Firm*—O'Melveny & Myers LLP

(57) **CLAIM**

The ornamental design for a roof-mounted pop-up fire suppression sprinkler with concealment, as shown and described.

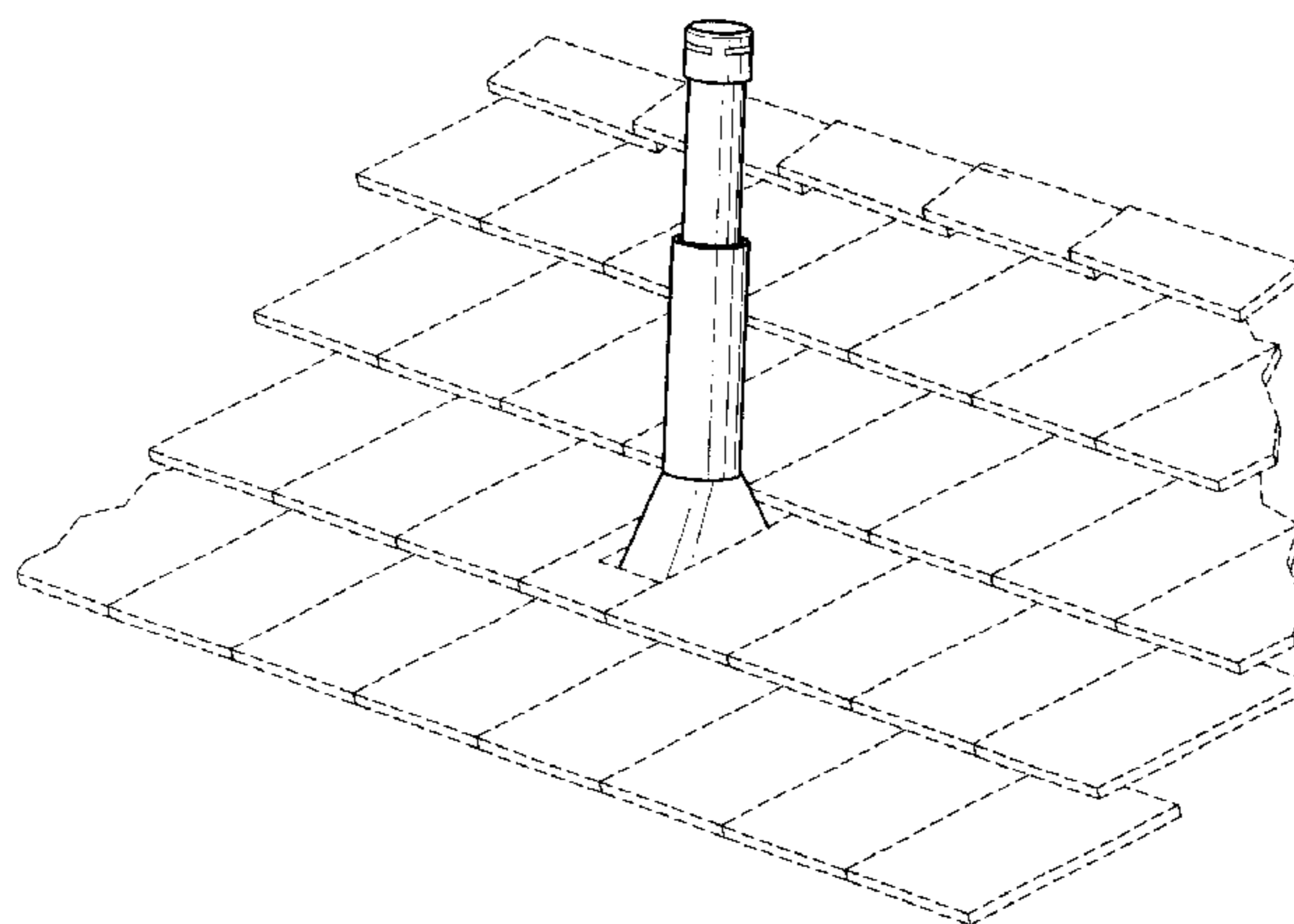
DESCRIPTION

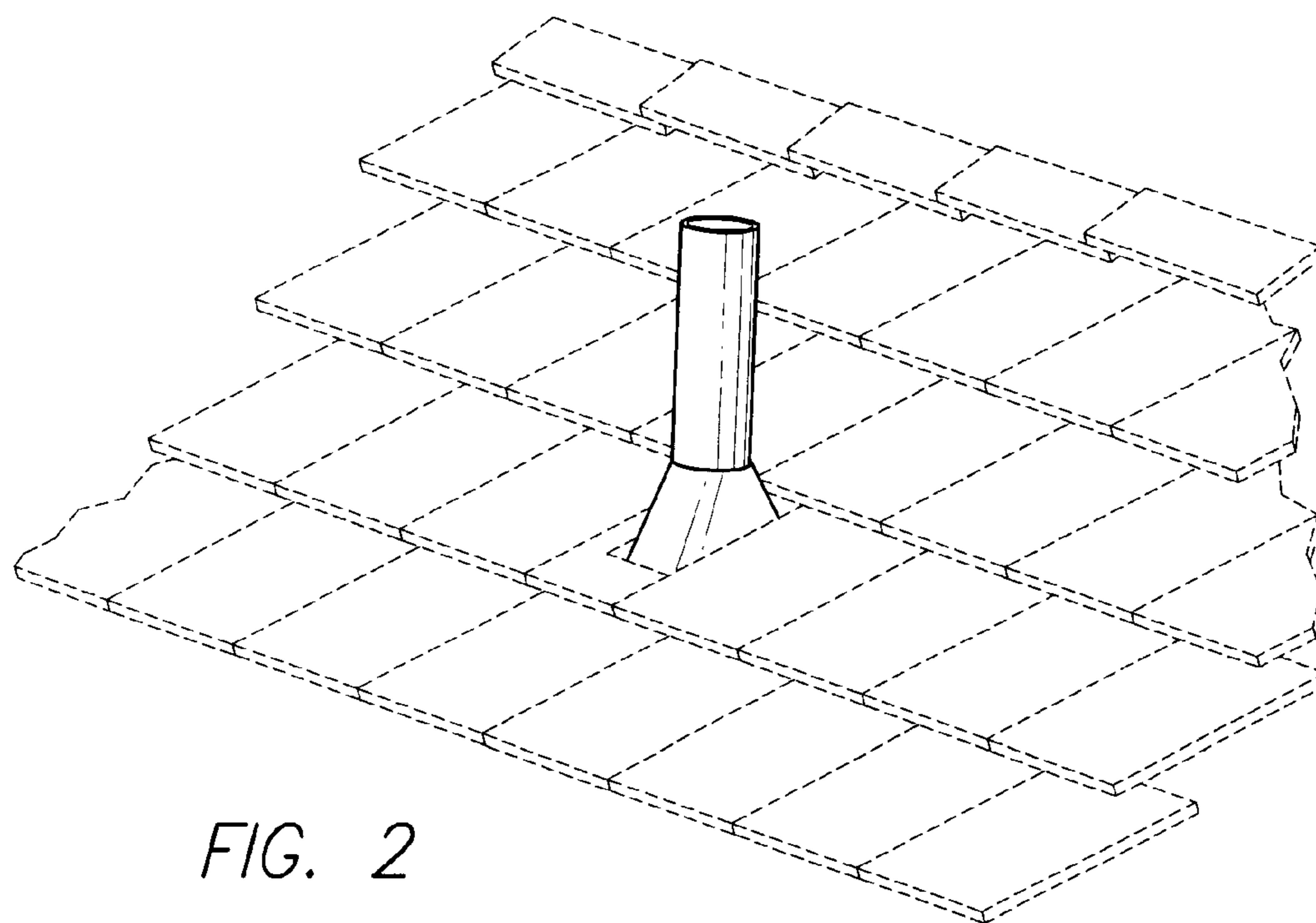
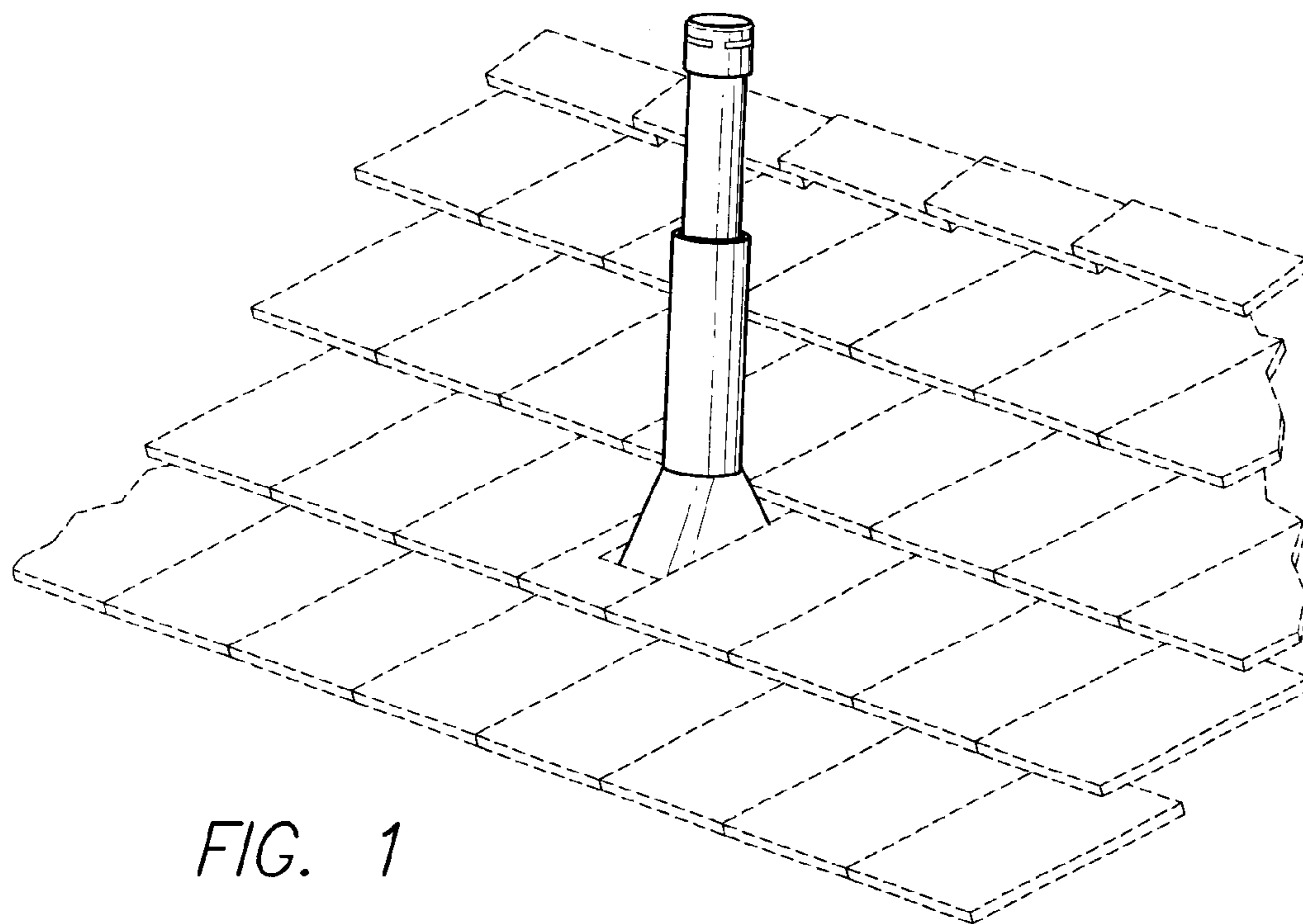
FIG. 1 is a perspective view of the roof-mounted pop-up fire suppression sprinkler with concealment, in an extended position. The surrounding roof area forms no part of the design.

FIG. 2 is a perspective view of the roof-mounted pop-up fire suppression sprinkler with concealment, in a retracted position; and,

FIG. 3 is a perspective view of the roof-mounted pop-up fire suppression sprinkler with concealment, in an extended position, from a viewpoint opposite that of FIG. 1.

1 Claim, 2 Drawing Sheets





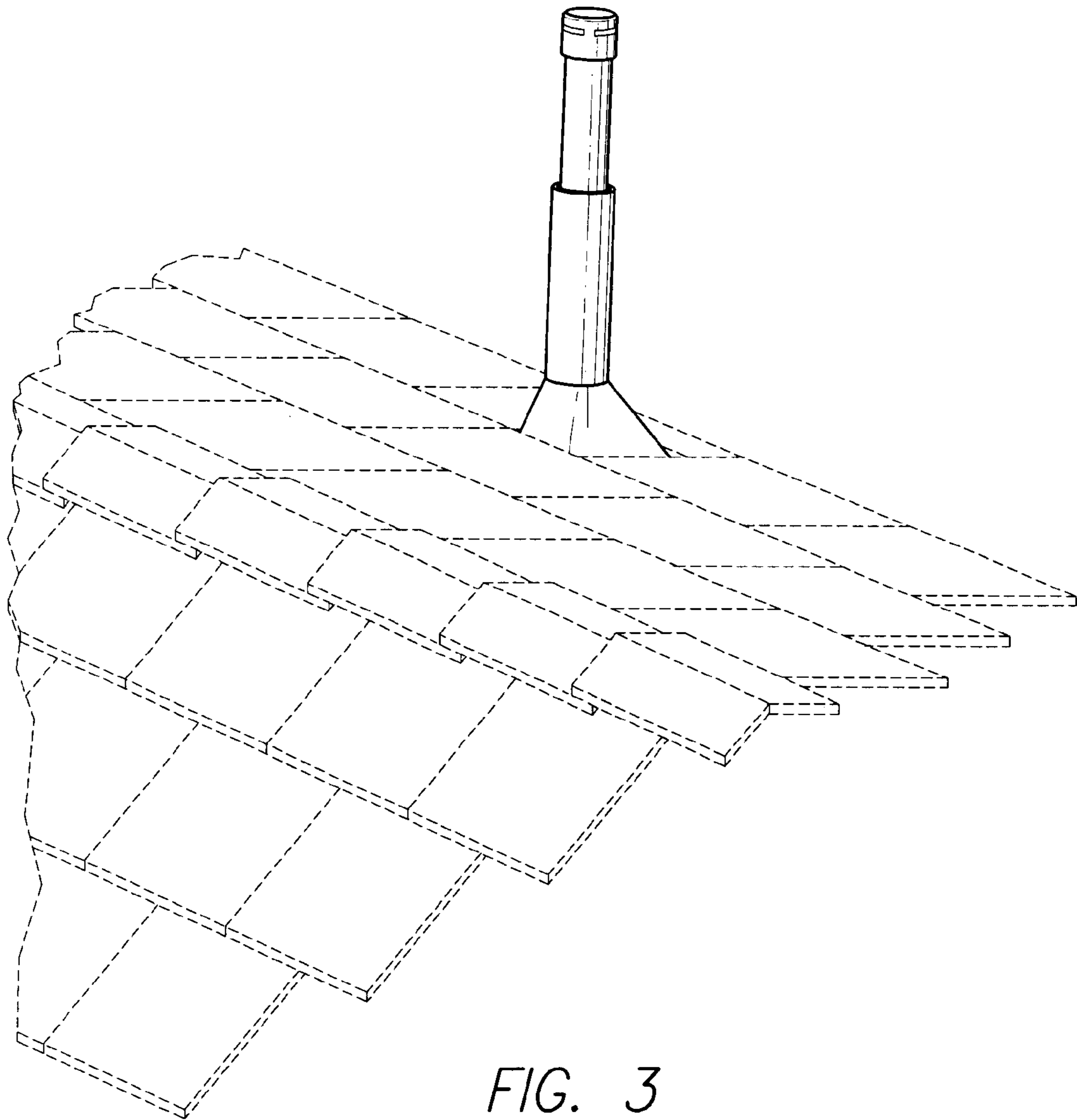


FIG. 3