



US00D523926S

(12) **United States Design Patent**  
**Crowley**

(10) **Patent No.:** **US D523,926 S**

(45) **Date of Patent:** **\*\* Jun. 27, 2006**

(54) **ROOF-MOUNTED POP-UP FIRE SUPPRESSION SPRINKLER**

(76) Inventor: **Joseph T. Crowley**, 2294A Batavia, Orange, CA (US) 92865

(\*\*) Term: **14 Years**

(21) Appl. No.: **29/226,035**

(22) Filed: **Mar. 23, 2005**

(51) **LOC (8) Cl.** ..... **23-01**

(52) **U.S. Cl.** ..... **D23/214**

(58) **Field of Classification Search** ..... D23/214, D23/215, 217, 218; 239/201–203, 208, 289; 169/56, 46–7, 16

See application file for complete search history.

4,428,434 A 1/1984 Gelaude  
 4,453,155 A 6/1984 Cooper  
 4,824,020 A 4/1989 Harward  
 4,836,290 A 6/1989 LeLande, Jr.  
 4,936,388 A 6/1990 Lelande  
 4,991,657 A 2/1991 LeLande, Jr.  
 5,083,618 A 1/1992 Hayes  
 5,125,458 A 6/1992 Berman  
 5,165,482 A 11/1992 Smagac et al.  
 5,263,543 A 11/1993 Nigro  
 D388,502 S \* 12/1997 Kah, III ..... D23/214  
 5,692,571 A 12/1997 Jackson  
 5,732,511 A 3/1998 Scott  
 6,079,501 A 6/2000 Schmidt  
 6,109,361 A 8/2000 Henderson  
 6,167,971 B1 1/2001 Van Lingen  
 6,360,968 B1 3/2002 Orrange et al.  
 6,450,264 B1 9/2002 Christian  
 6,502,764 B1 \* 1/2003 Walker ..... 239/203  
 6,523,616 B1 2/2003 Wallace  
 6,629,569 B1 10/2003 Adams  
 6,629,648 B1 \* 10/2003 Jones ..... 239/203  
 6,679,337 B1 1/2004 Perry et al.  
 6,799,732 B1 \* 10/2004 Sirkin ..... 239/205  
 6,929,072 B1 \* 8/2005 Brown ..... 169/46

(56) **References Cited**  
 U.S. PATENT DOCUMENTS

1,489 A 10/1840 Lowell  
 128,534 A 7/1872 Carl  
 647,875 A 4/1900 Piepenbrink  
 964,464 A 7/1910 Crawford-Frost  
 1,208,349 A 12/1916 Moody  
 1,285,236 A 11/1918 Kohler  
 1,507,350 A 9/1924 Franzen  
 1,620,142 A 3/1927 Thompson  
 1,644,603 A 10/1927 O'Neill  
 1,831,880 A 11/1931 Pierce  
 1,837,322 A 12/1931 Hamilton  
 1,893,210 A 1/1933 Rider  
 1,936,732 A 11/1933 Renard  
 2,337,710 A 12/1943 Cowan  
 2,757,965 A 8/1956 Andrews  
 2,865,674 A 12/1958 Jelmeland  
 2,968,440 A \* 1/1961 Cone ..... 239/203  
 3,009,647 A \* 11/1961 Hait ..... 239/201  
 3,179,181 A 4/1965 Banzato  
 3,576,212 A 4/1971 Siler  
 3,583,490 A 6/1971 McFadden  
 4,091,876 A 5/1978 Valdetta  
 4,175,703 A 11/1979 Valiant  
 4,330,040 A 5/1982 Ence  
 4,372,493 A 2/1983 Smith

\* cited by examiner

*Primary Examiner*—Robin Webster  
 (74) *Attorney, Agent, or Firm*—O'Melveny & Myers LLP

(57) **CLAIM**

The ornamental design for a roof-mounted pop-up fire suppression sprinkler, as shown and described.

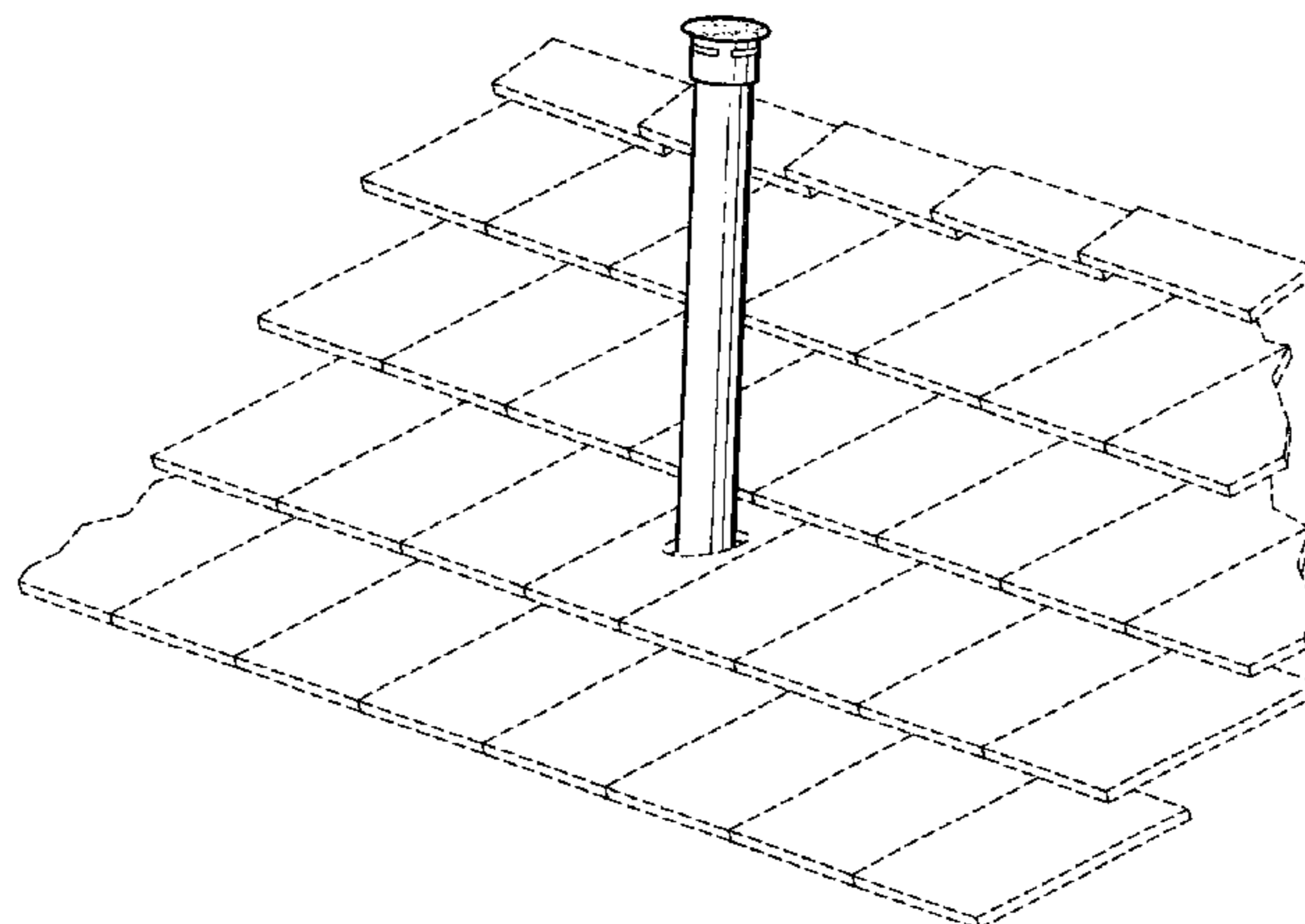
**DESCRIPTION**

FIG. 1 is a perspective view of the roof-mounted pop-up fire suppression sprinkler, in an extended position. The surrounding roof area forms no part of the design.

FIG. 2 is a perspective view of the roof-mounted pop-up fire suppression sprinkler, in a retracted position; and,

FIG. 3 is a perspective view of the roof-mounted pop-up fire suppression sprinkler, in an extended position, from a viewpoint opposite that of FIG. 1.

**1 Claim, 2 Drawing Sheets**



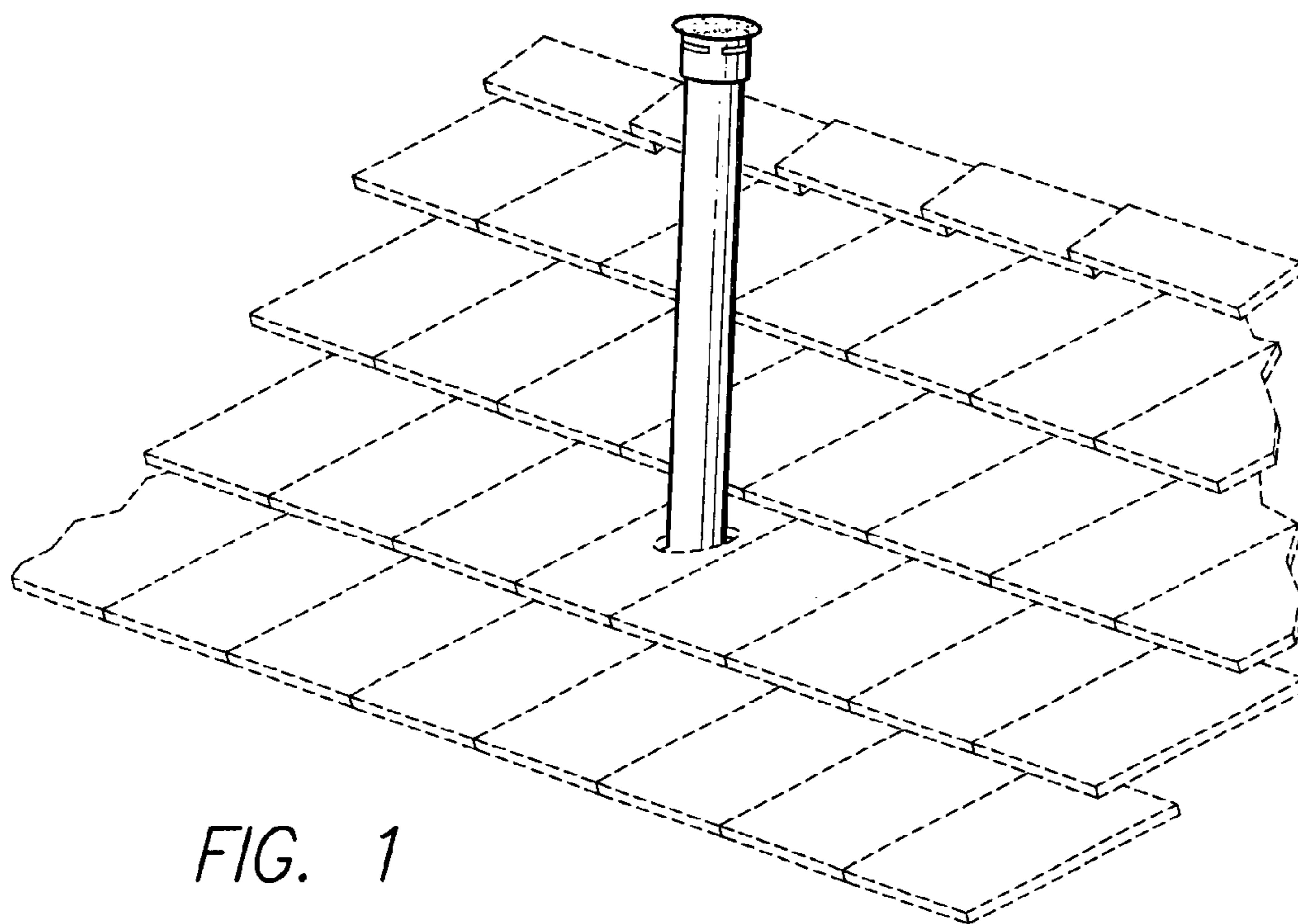


FIG. 1

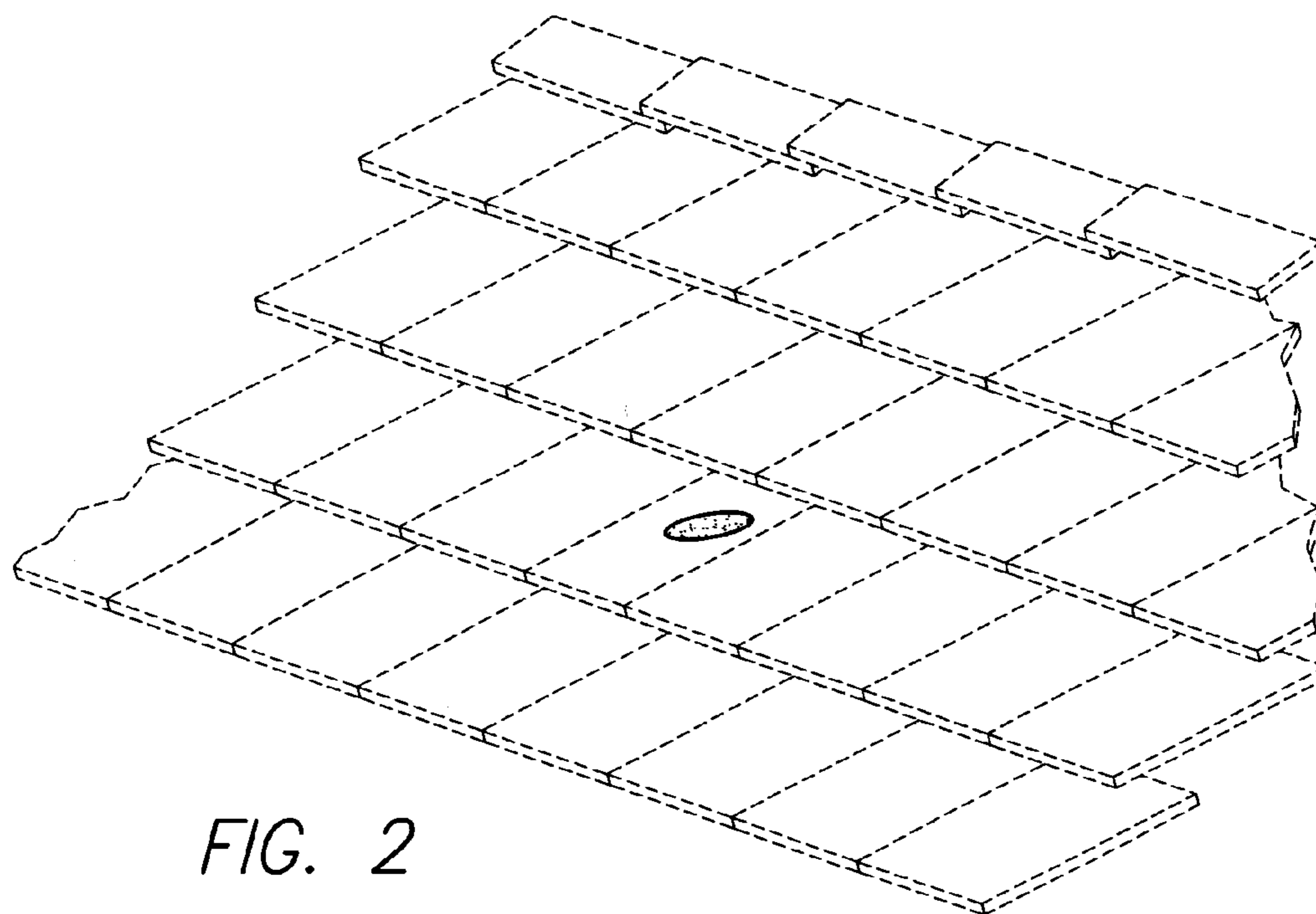


FIG. 2

