



US00D523925S

(12) **United States Design Patent**
Hoernig

(10) **Patent No.:** **US D523,925 S**

(45) **Date of Patent:** **** Jun. 27, 2006**

(54) **SHOWER HEAD**

(75) Inventor: **Victor Hoernig**, Lowell, IN (US)

(73) Assignee: **Brasstech, Inc.**, Santa Clara, CA (US)

(**) Term: **14 Years**

(21) Appl. No.: **29/226,532**

(22) Filed: **Mar. 30, 2005**

(51) **LOC (8) Cl.** **23-01**

(52) **U.S. Cl.** **D23/213**

(58) **Field of Classification Search** D23/213,
D23/229, 230; 239/282, 283, 394
See application file for complete search history.

(56) **References Cited**

U.S. PATENT DOCUMENTS

D450,370 S	*	11/2001	Wales et al.	D23/213
D463,528 S	*	9/2002	Ouyoung	D23/230
D468,800 S	*	1/2003	Tse	D23/213
D475,433 S	*	6/2003	Citterio	D23/213
D496,987 S	*	10/2004	Glunk	D23/213

D512,120 S * 11/2005 Haug et al. D23/213

* cited by examiner

Primary Examiner—Robin Webster

(74) *Attorney, Agent, or Firm*—Kwadjo Adusei-Poku;
Lloyd D. Doigan

(57) **CLAIM**

The ornamental design for a shower head, as shown and described.

DESCRIPTION

FIG. 1 is a top perspective view of a shower head showing my design;

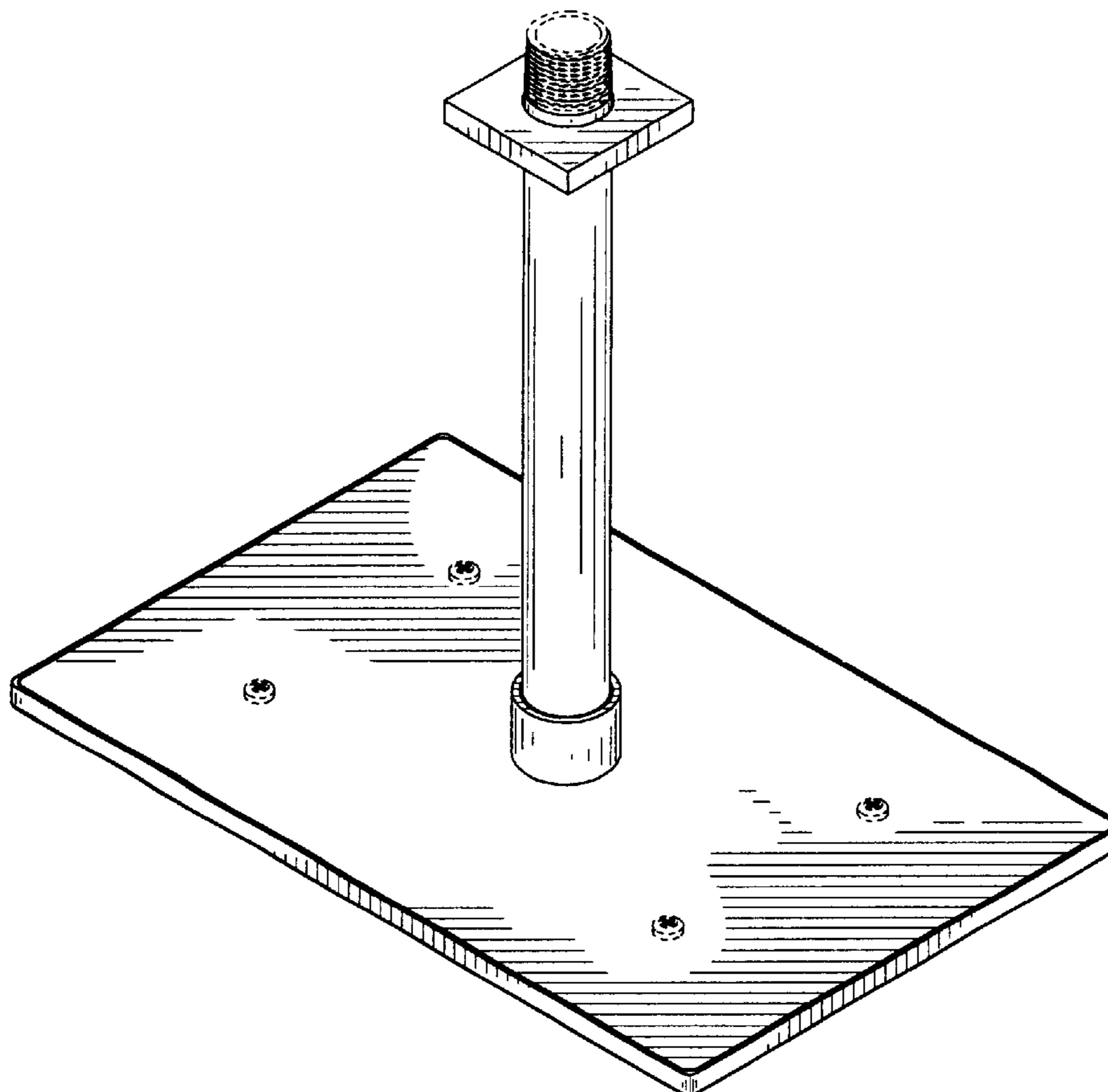
FIG. 2 is a front elevational view thereof, the rear elevational view being a mirror image thereof;

FIG. 3 is a right side elevational view, the left side elevational view being a mirror image thereof; and,

FIG. 4 is a bottom plan view thereof.

The broken line showing is for illustrative purposes only and forms no part of the claimed design.

1 Claim, 4 Drawing Sheets



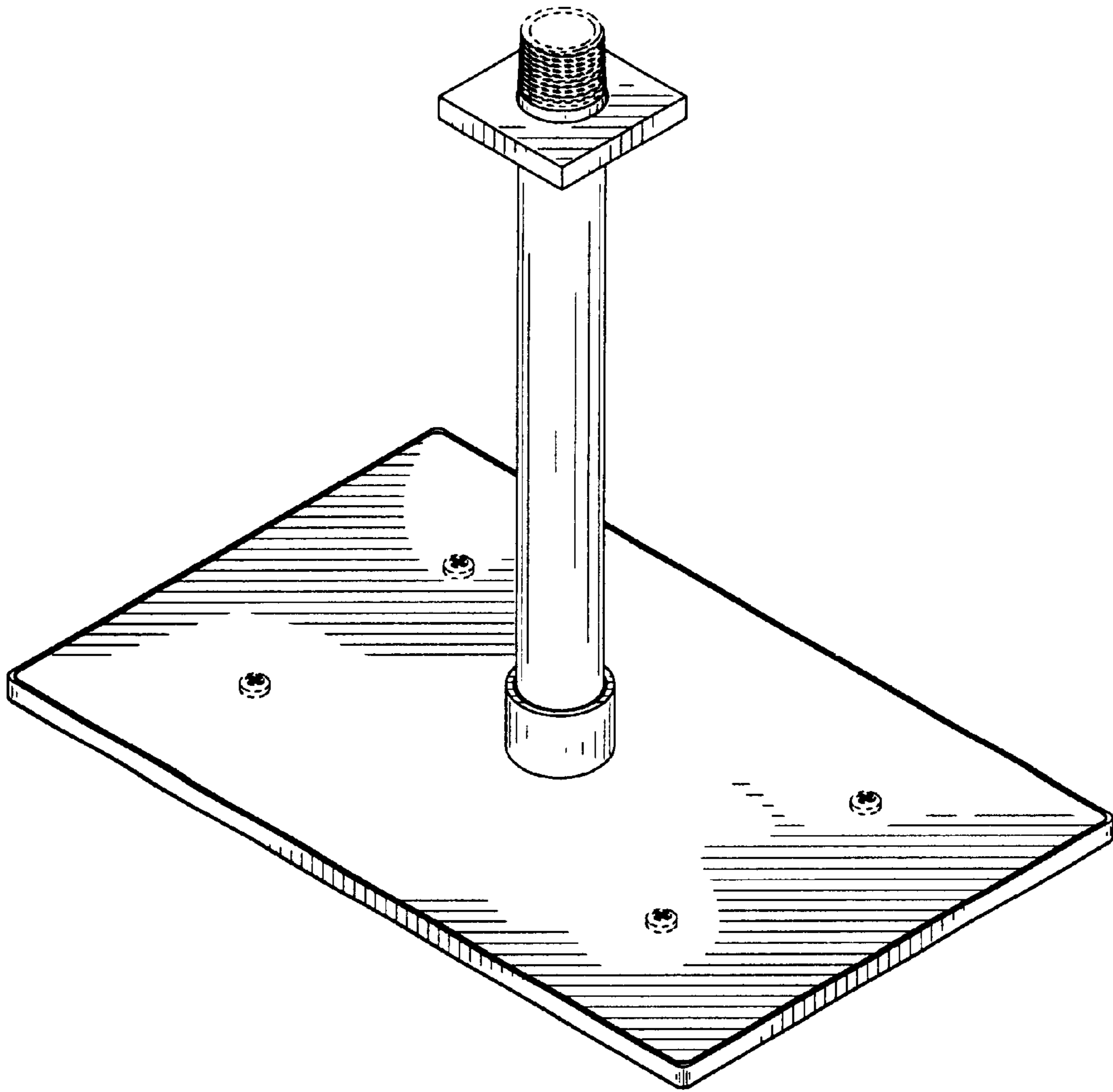


FIG. 1

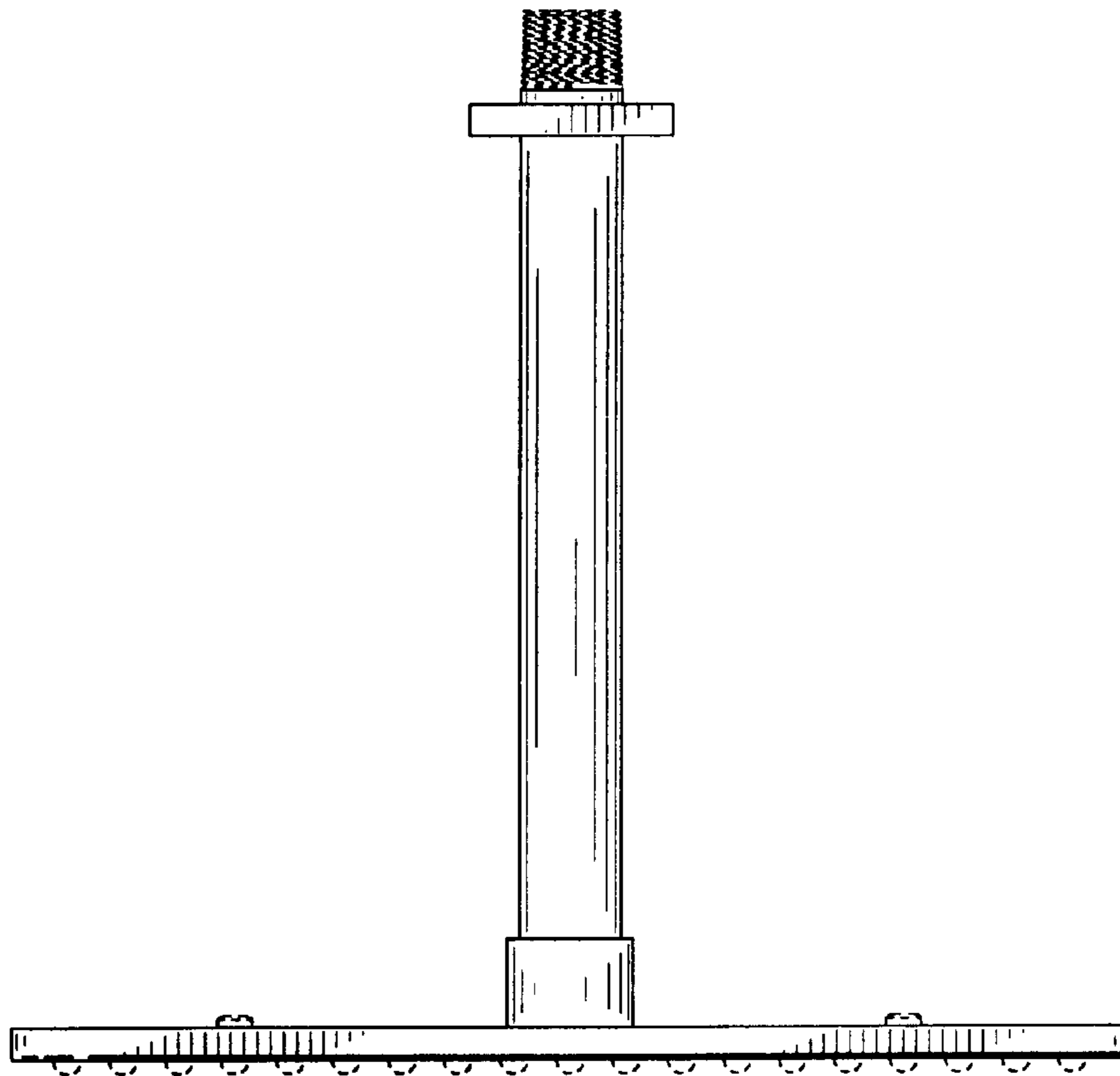


FIG. 2

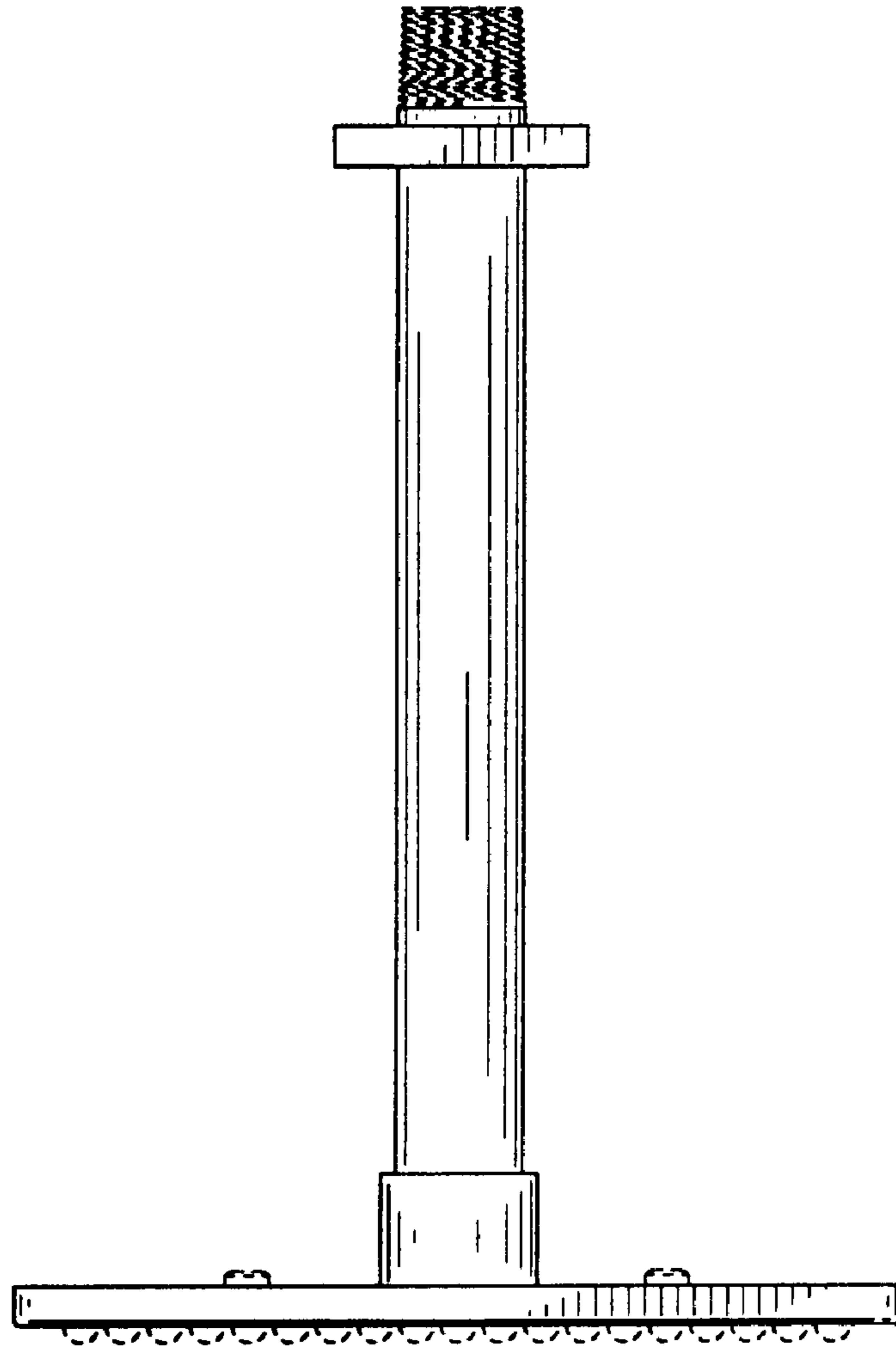


FIG. 3

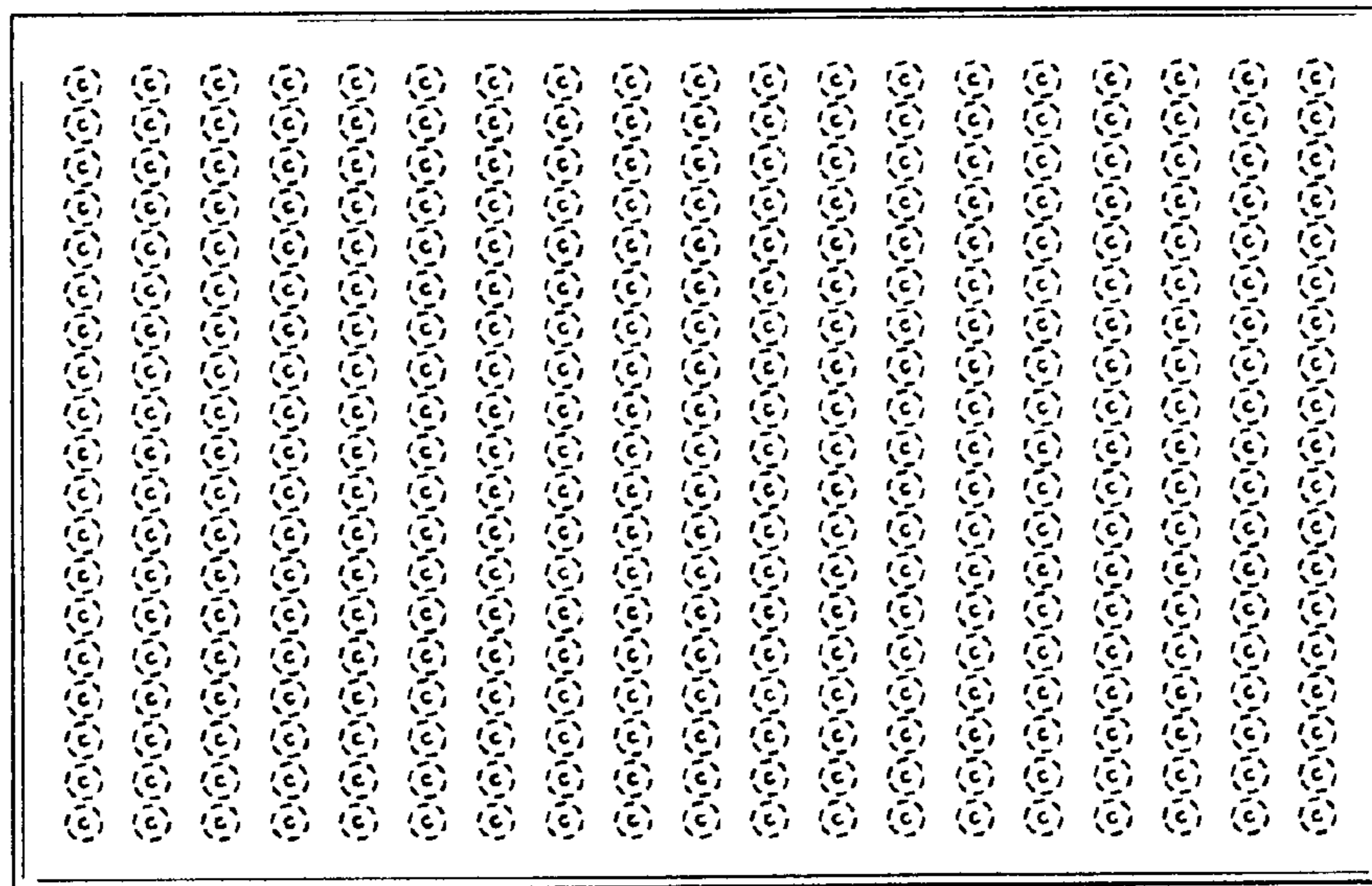


FIG. 4