

US00D523923S

(12) **United States Design Patent**  
**Nguyen et al.**

(10) **Patent No.:** **US D523,923 S**  
(45) **Date of Patent:** **\*\* Jun. 27, 2006**

(54) **LAVATORY DEVICE**

D481,100 S \* 10/2003 Legeay ..... D23/208  
D484,566 S \* 12/2003 Legeay ..... D23/208

(75) Inventors: **Lamson Nguyen**, One Phillips Pkwy,  
Montvale, NJ (US) 07645; **Geoffrey  
Hammond**, Hull (GB)

\* cited by examiner

*Primary Examiner*—Robin V. Taylor

(73) Assignees: **Lamson Nguyen**, Parsippany, NJ (US);  
**Geoffrey Robert Hammond**

(74) *Attorney, Agent, or Firm*—Norris McLaughlin &  
Marcus, PA

(\*\*) Term: **14 Years**

(57) **CLAIM**

The ornamental design for a lavatory device, as shown and  
described.

(21) Appl. No.: **29/203,832**

(22) Filed: **Apr. 19, 2004**

**DESCRIPTION**

(51) **LOC (8) Cl.** ..... **23-01**

(52) **U.S. Cl.** ..... **D23/208**

(58) **Field of Classification Search** ..... D23/208,  
D23/207; 4/231, 223, 225.1, 227.1  
See application file for complete search history.

FIG. 1 is a perspective view of the front of the lavatory  
device;

FIG. 2 is a plan view of the front thereof;

FIG. 3 is a plan view of the rear thereof;

FIG. 4 is a plan view of the top thereof;

FIG. 5 is a plan view of the bottom thereof;

FIG. 6 is a plan view of one side thereof; and,

FIG. 7 is a plan view of the other side thereof.

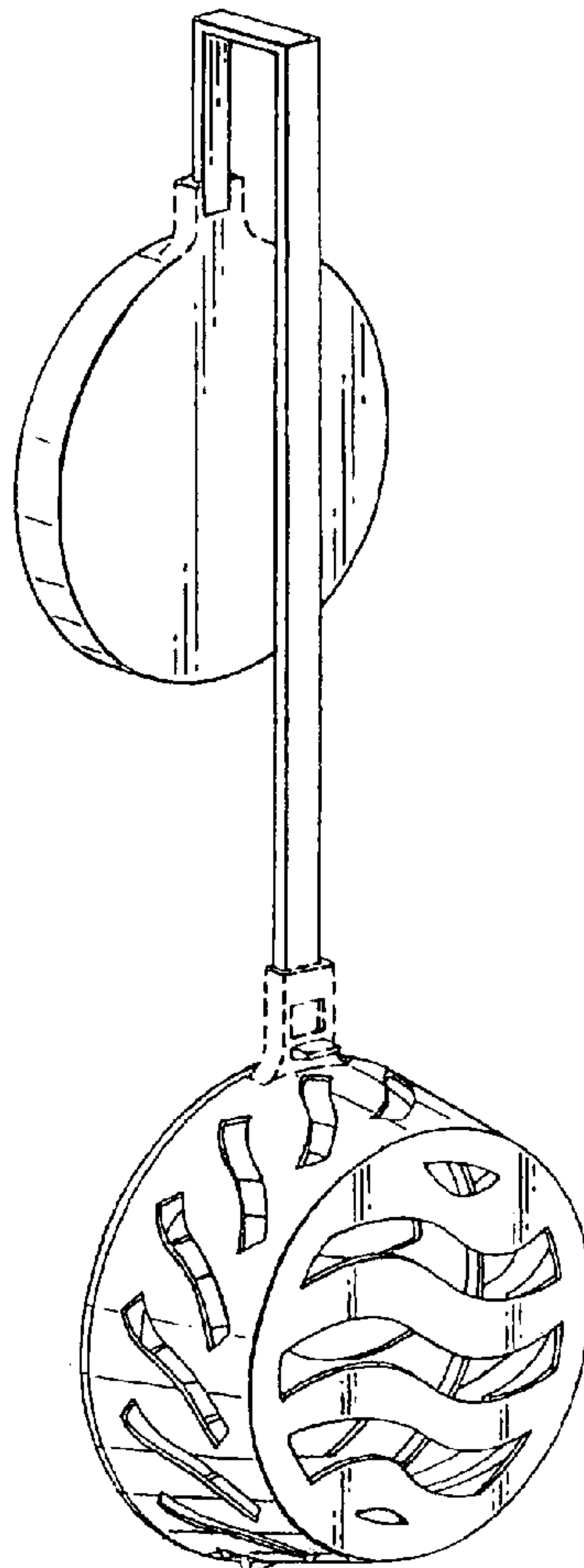
The broken line showing is for illustrative purposes only and  
forms no part of the claimed design.

(56) **References Cited**

**U.S. PATENT DOCUMENTS**

4,261,957 A \* 4/1981 Schimanski ..... 422/263  
D475,118 S \* 5/2003 Legeay ..... D23/208  
D481,099 S \* 10/2003 Legeay ..... D23/208

**1 Claim, 3 Drawing Sheets**



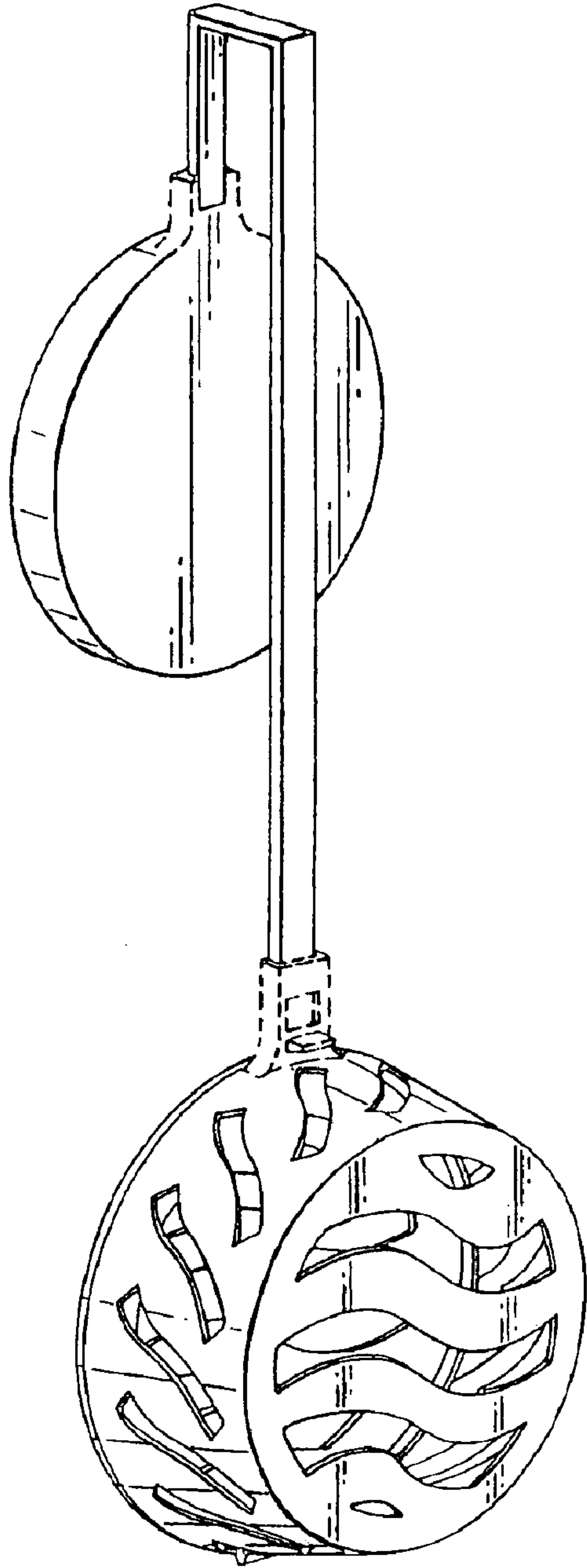


Fig. 1

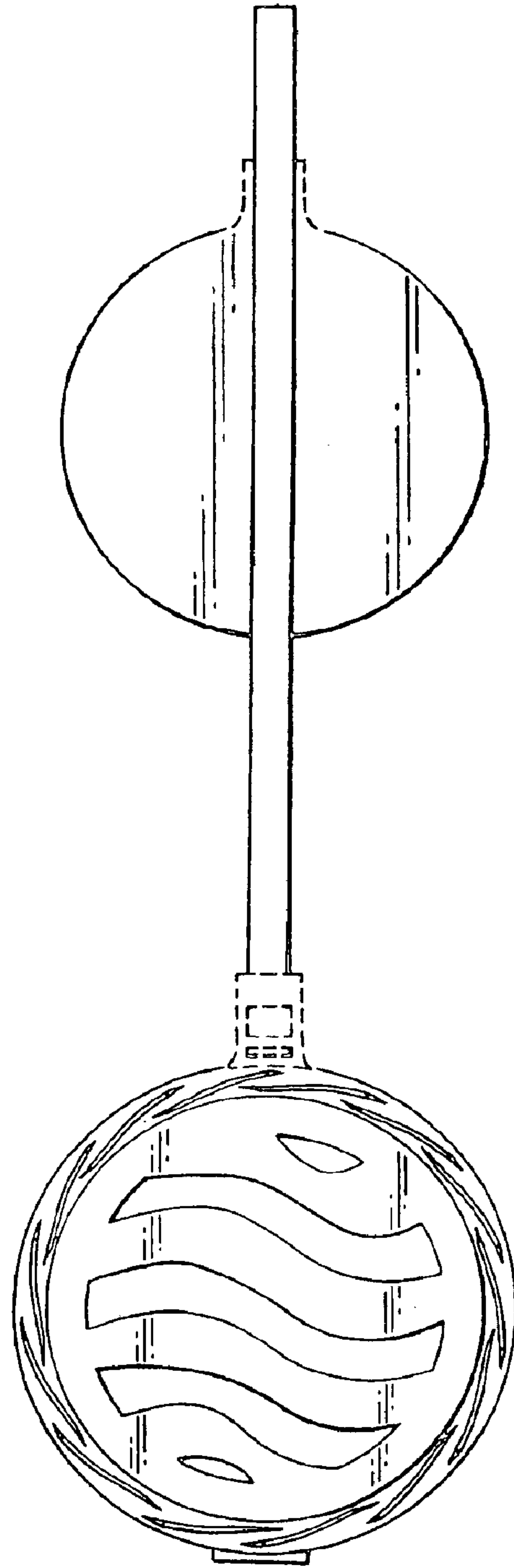


Fig. 2

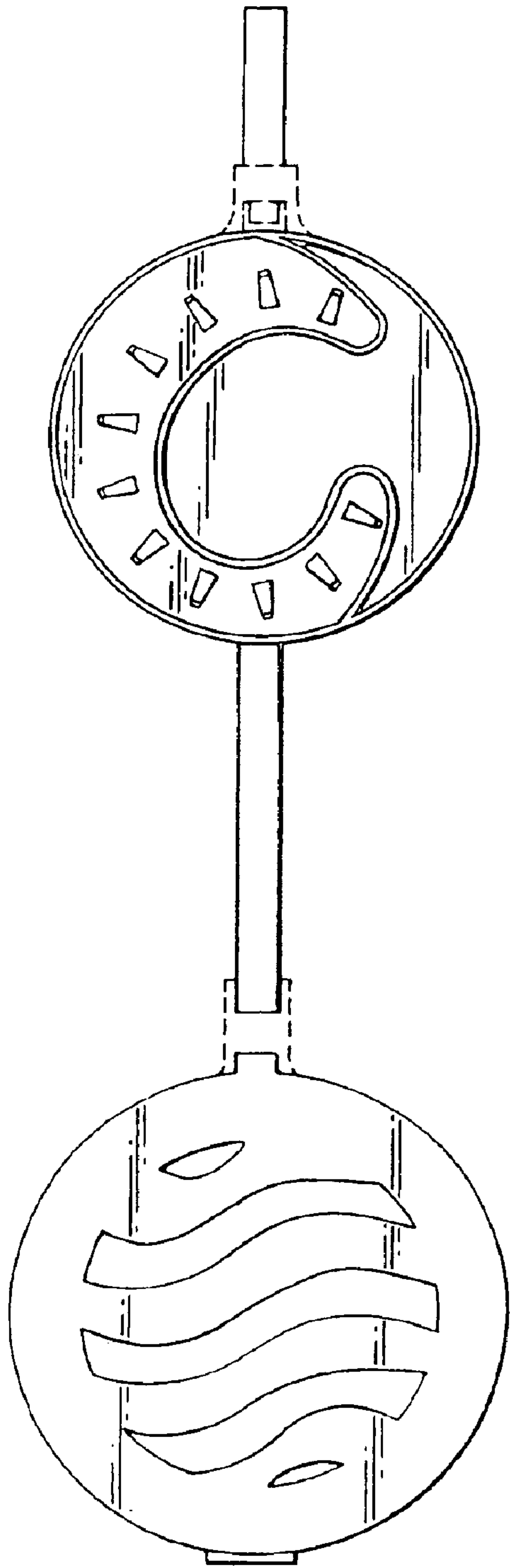


Fig. 3

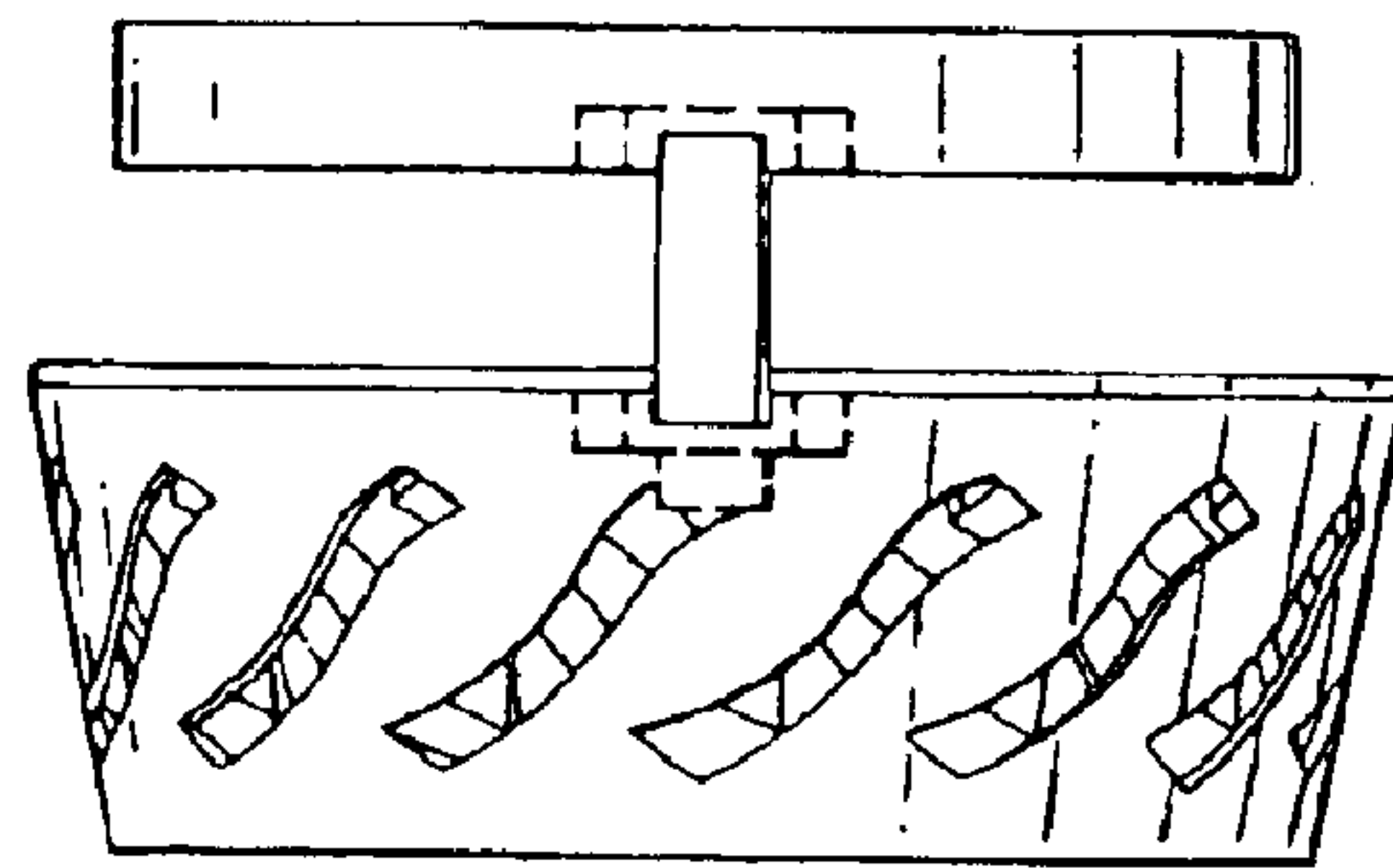


Fig. 4

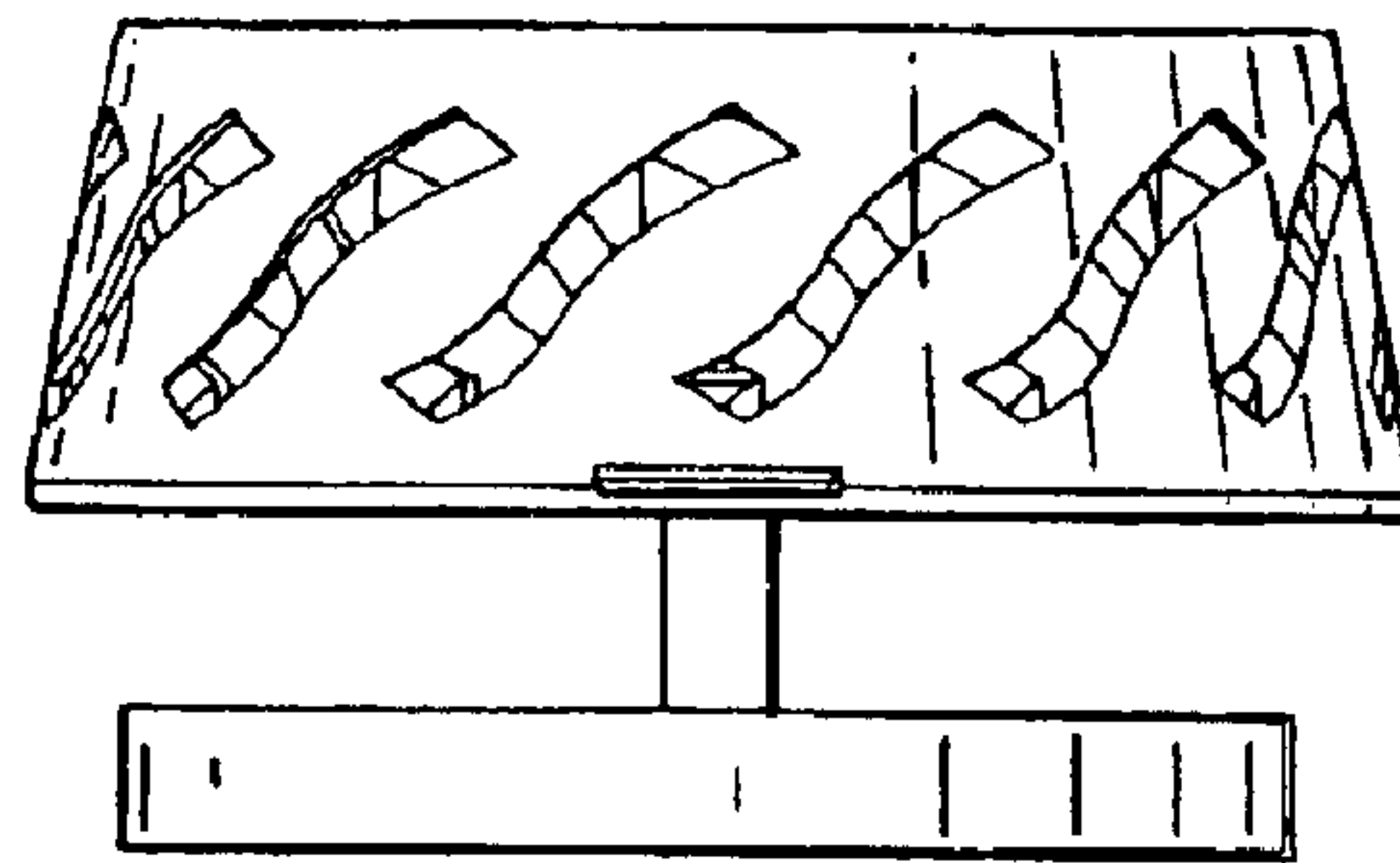


Fig. 5

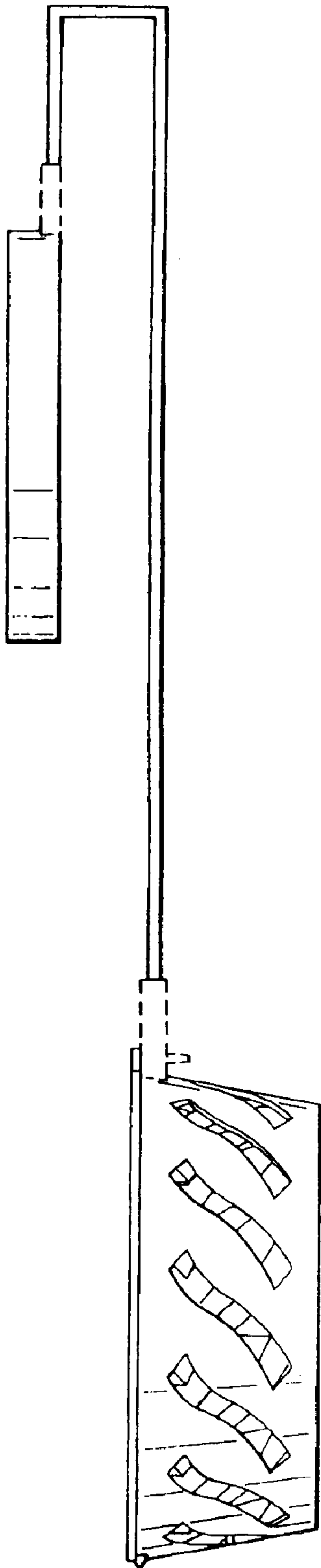


Fig. 6

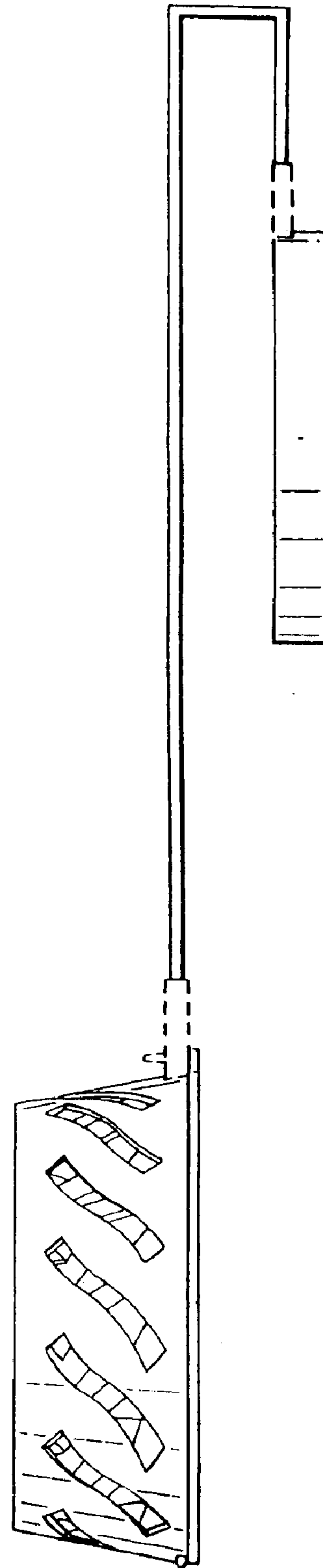


Fig. 7

UNITED STATES PATENT AND TRADEMARK OFFICE  
**CERTIFICATE OF CORRECTION**

PATENT NO. : Des. 523,923 S  
APPLICATION NO. : 29/203832  
DATED : June 27, 2006  
INVENTOR(S) : Lamson Nguyen et al.

Page 1 of 1


It is certified that error appears in the above-identified patent and that said Letters Patent is hereby corrected as shown below:

On the Title Page, Item (73) Assignees: Lamson Nguyen  
Geoffrey Robert Hammond

**Should read:** Reckitt Benckiser Inc  
Morris Corporate Center IV  
399 Interpace Parkway  
Parsippany  
New Jersey 07054  
United States of America

Signed and Sealed this

Eighteenth Day of September, 2007

A handwritten signature in black ink on a light gray dotted background. The signature reads "Jon W. Dudas" in a cursive style.

JON W. DUDAS

*Director of the United States Patent and Trademark Office*



UNITED STATES PATENT AND TRADEMARK OFFICE  
**CERTIFICATE OF CORRECTION**

PATENT NO. : Des. 523,923 S  
APPLICATION NO. : 29/203832  
DATED : June 27, 2006  
INVENTOR(S) : Lamson Nguyen et al.

Page 1 of 1

It is certified that error appears in the above-identified patent and that said Letters Patent is hereby corrected as shown below:

On The Title Page, Item (73)

**Assignee:** Lamson Nguyen  
Geoffrey Robert Hammond

**Should read:** Reckitt Benckiser Inc  
Morris Corporate Center IV  
399 Interpace Parkway  
Parsippany  
New Jersey 07054  
United States of America

Signed and Sealed this

Sixteenth Day of October, 2007

A handwritten signature in black ink on a light gray dotted background. The signature reads "Jon W. Dudas" in a cursive style.

JON W. DUDAS

*Director of the United States Patent and Trademark Office*