

US00D523922S

(12) **United States Design Patent**
Brubacher et al.

(10) **Patent No.:** **US D523,922 S**
(45) **Date of Patent:** **** Jun. 27, 2006**

(54) **COLLAPSIBLE STAND**

Primary Examiner—Robin Webster

(76) Inventors: **Paul Brubacher**, 72 Amos Ave.,
Waterloo, Ontario (CA), N2L 5G3;
Harry Van Dyke, 65 Woodland Dr.,
Cambridge, Ontario (CA), N1R 2X7

(57) **CLAIM**

The ornamental design for a collapsible stand, as shown and described.

(**) Term: **14 Years**

DESCRIPTION

(21) Appl. No.: **29/224,209**

FIG. 1 is a perspective view of a front side of a preferred embodiment of the collapsible stand of the invention showing a tank supported thereby;

(22) Filed: **Feb. 25, 2005**

(51) **LOC (8) Cl.** **23-01**

(52) **U.S. Cl.** **D23/206**

(58) **Field of Classification Search** D23/202–206;
220/561, 565; 248/346.01, 132, 146, 127,
248/151

FIG. 2 is a perspective view of the front side thereof;
FIG. 3 is an elevation view of a first side thereof;
FIG. 4 is an elevation view of the front side thereof;
FIG. 5 is an elevation view of a second side thereof;
FIG. 6 is an elevation view of a rear side thereof;
FIG. 7 is a top view thereof; and,
FIG. 8 is a bottom view thereof.

See application file for complete search history.

The broken lines showing the tank and a lock in FIG. 1 are for illustrative purposes only and form no part of the claimed design.

(56) **References Cited**

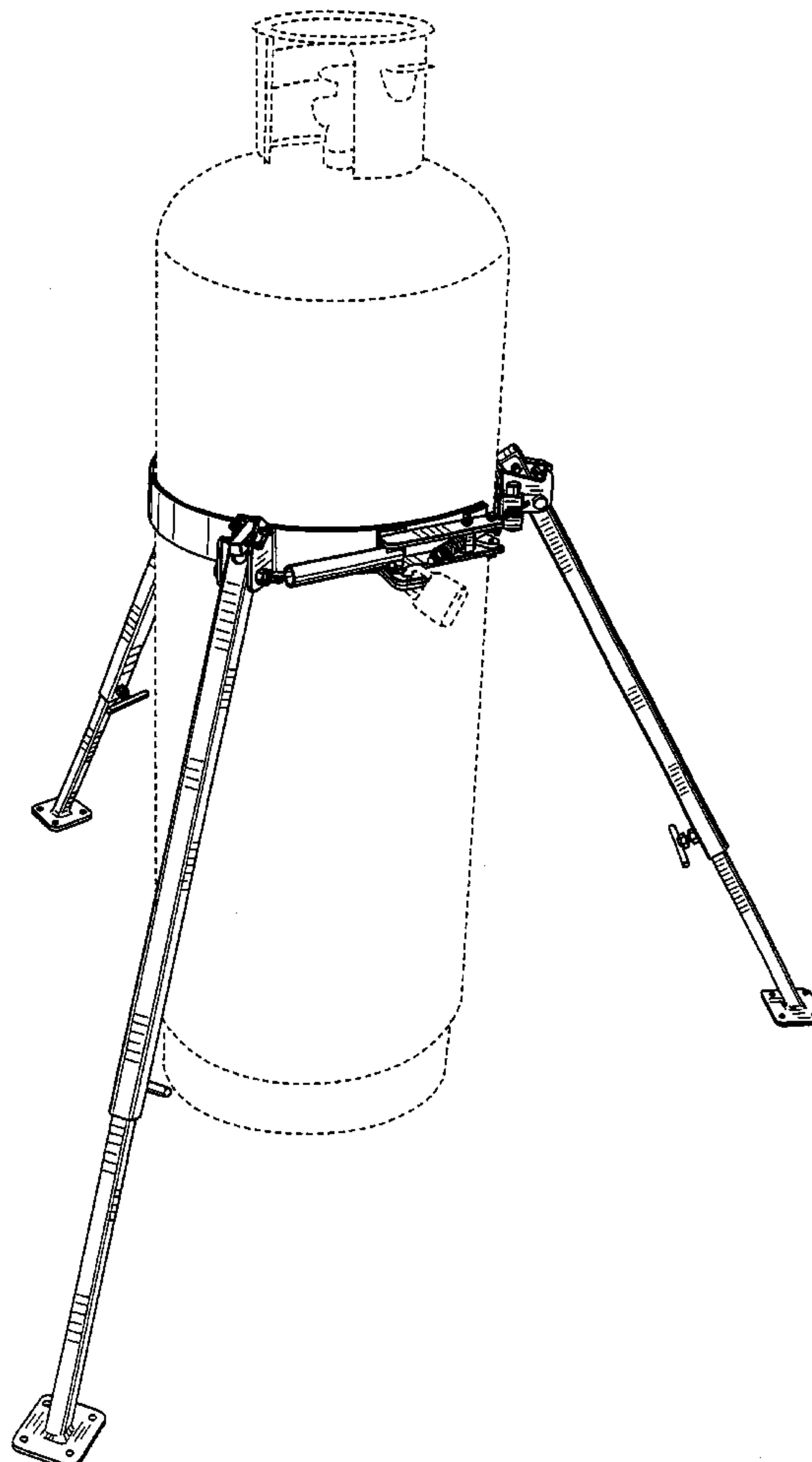
U.S. PATENT DOCUMENTS

2,853,261	A	*	9/1958	Loeb	248/151
3,545,709	A	*	12/1970	Harvey	248/146
D389,896	S	*	1/1998	Salvucci, Sr.	D23/206
6,578,802	B1	*	6/2003	Thier	248/151

The legs in FIGS. 2–8 are shown fragmented to indicate indeterminate length.

* cited by examiner

1 Claim, 6 Drawing Sheets



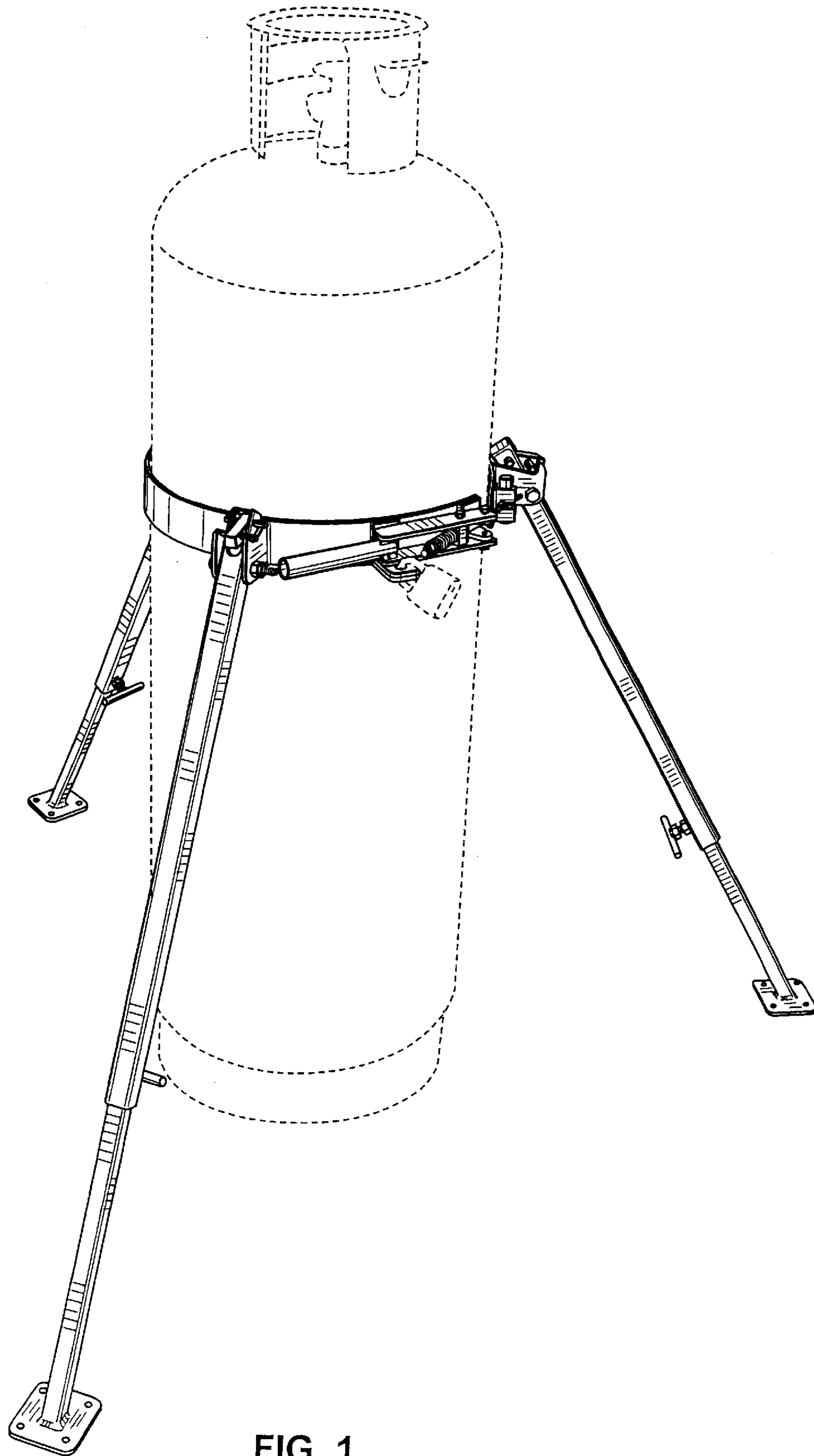


FIG. 1

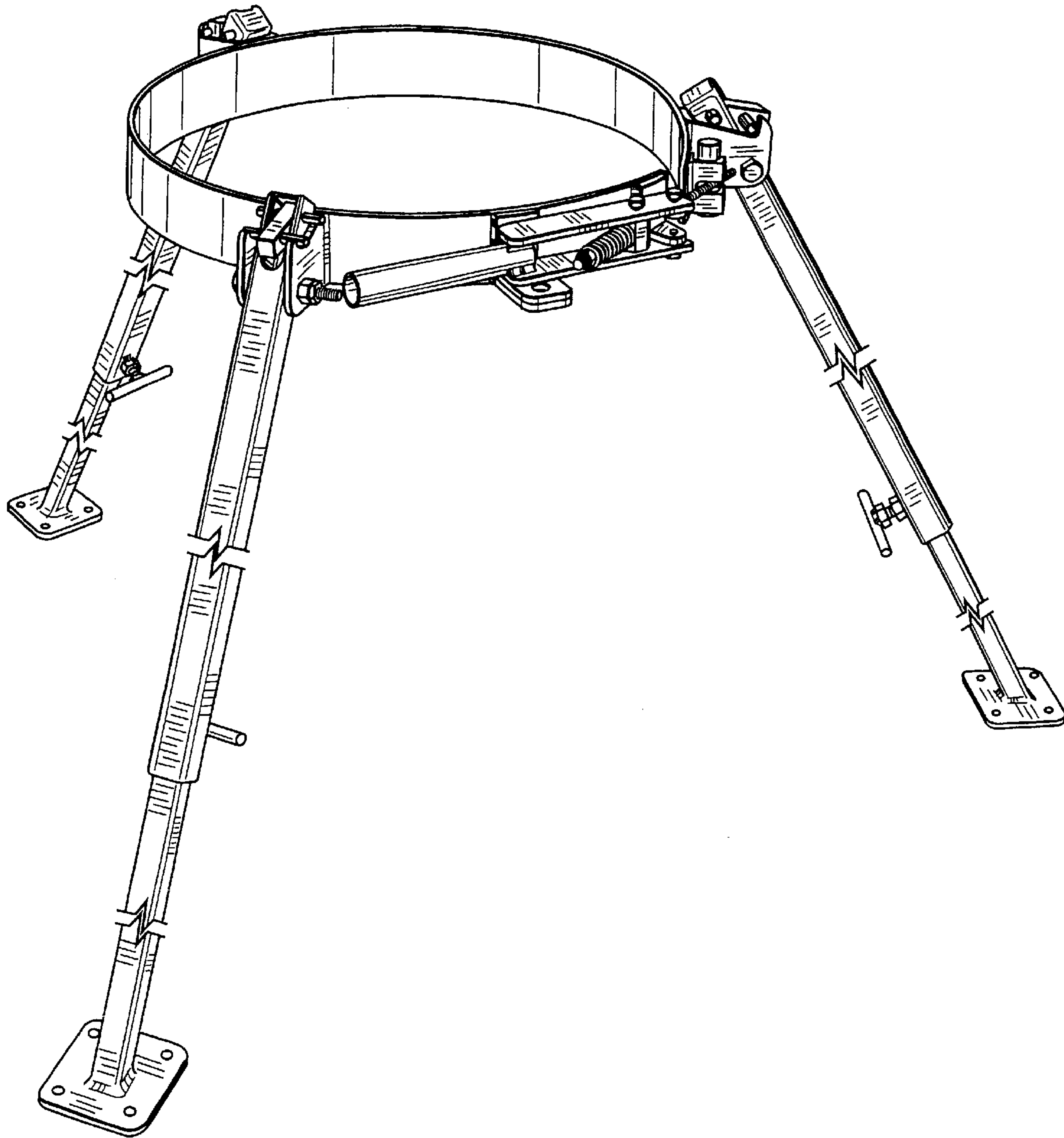


FIG. 2

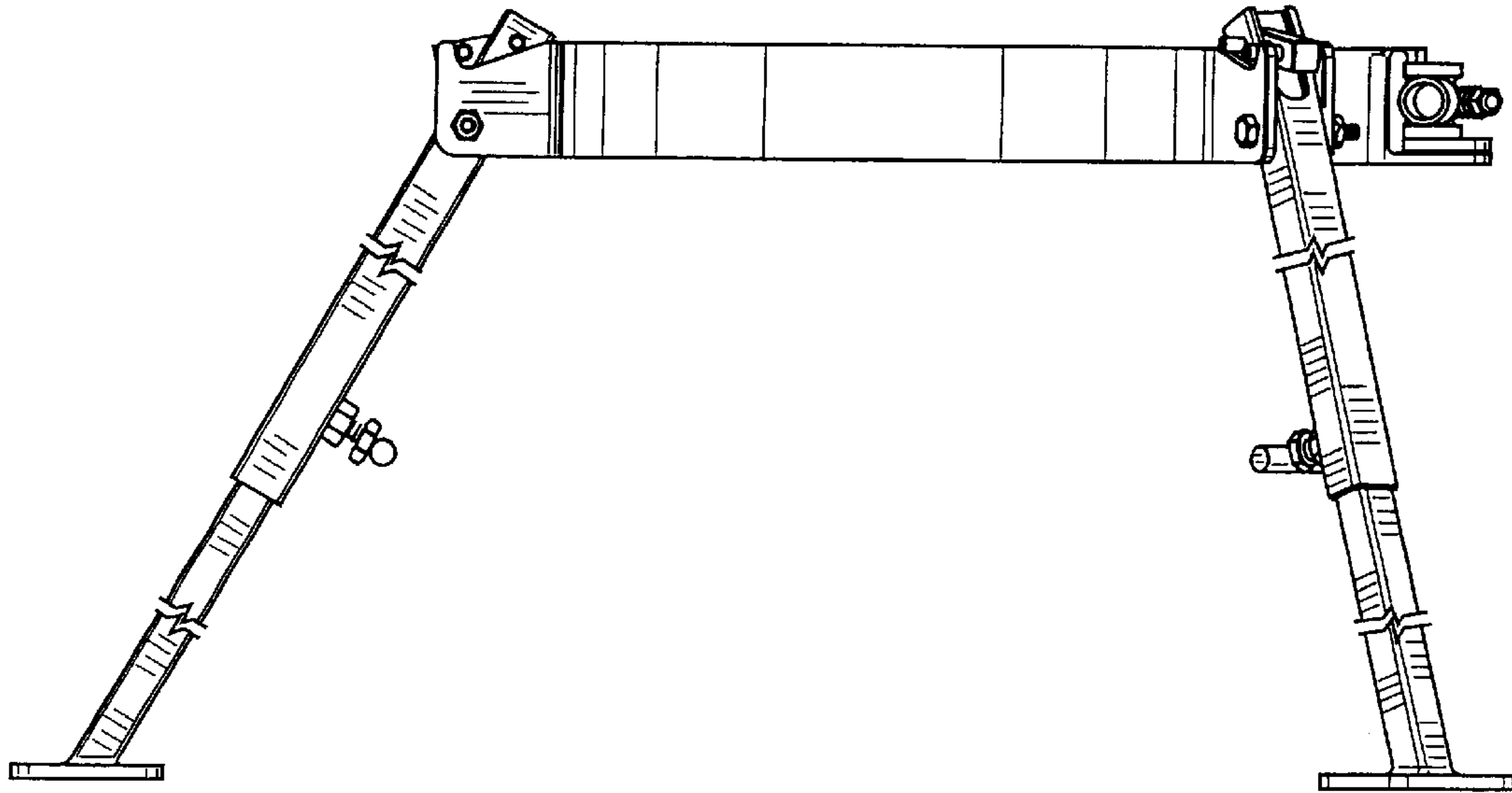


FIG. 3

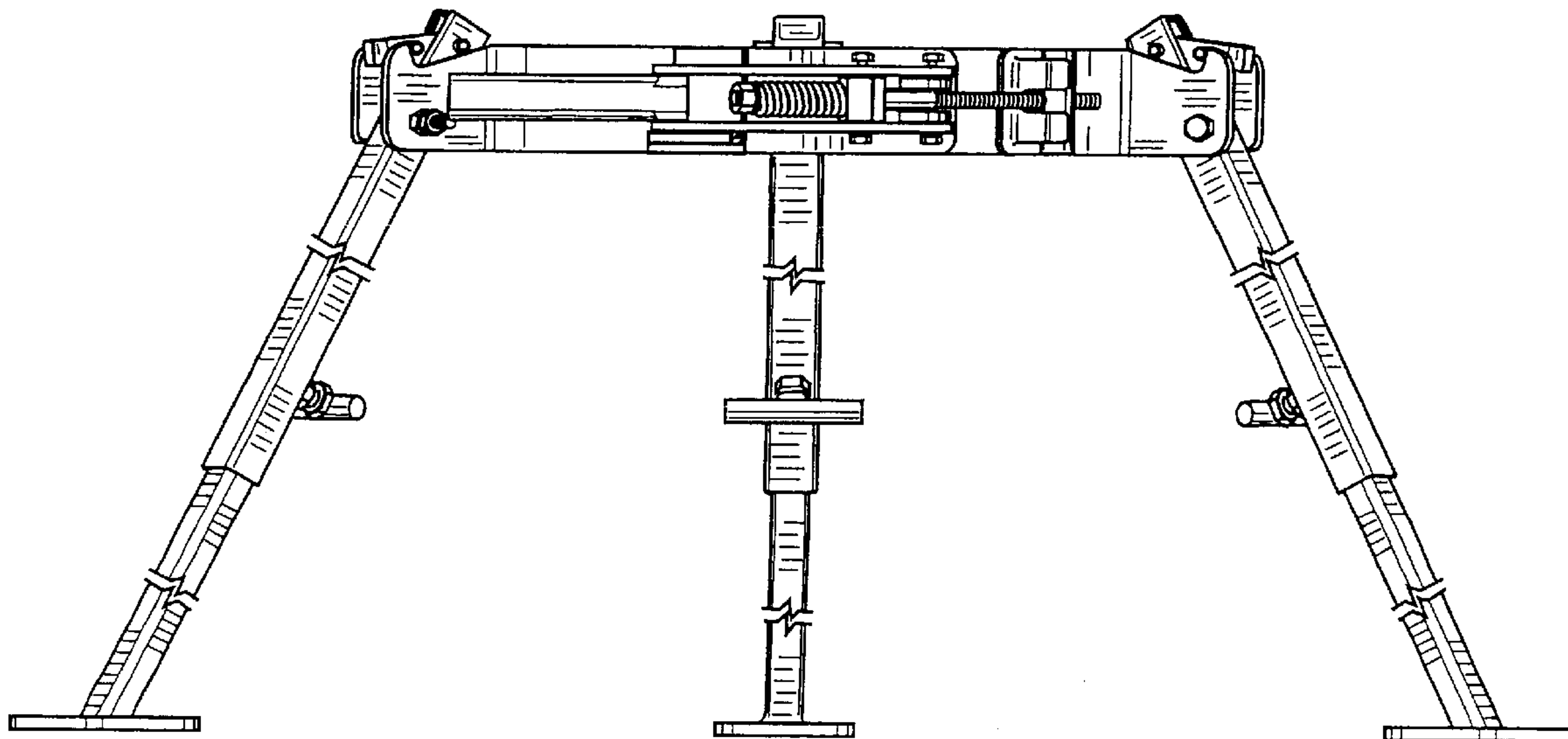


FIG. 4

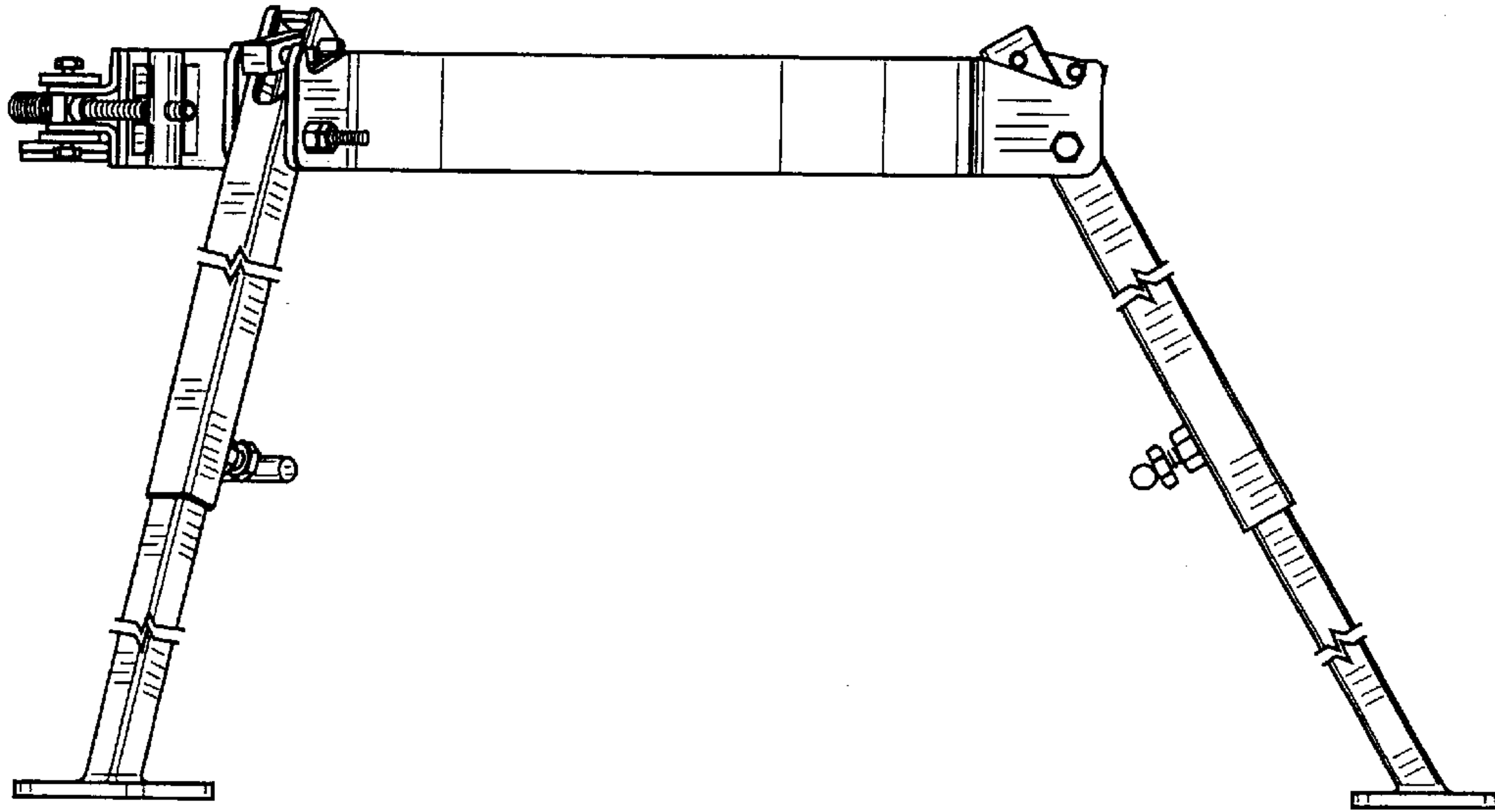


FIG. 5

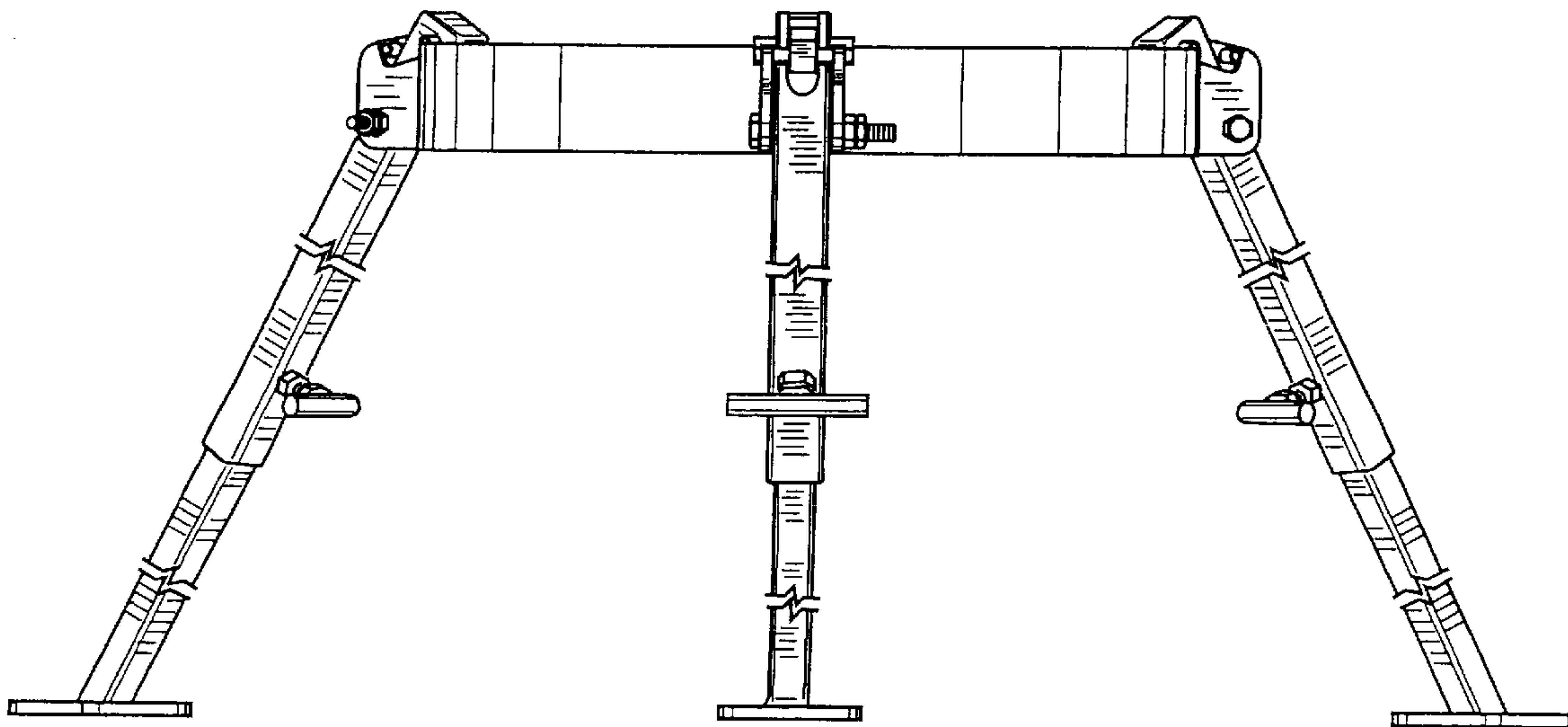


FIG. 6

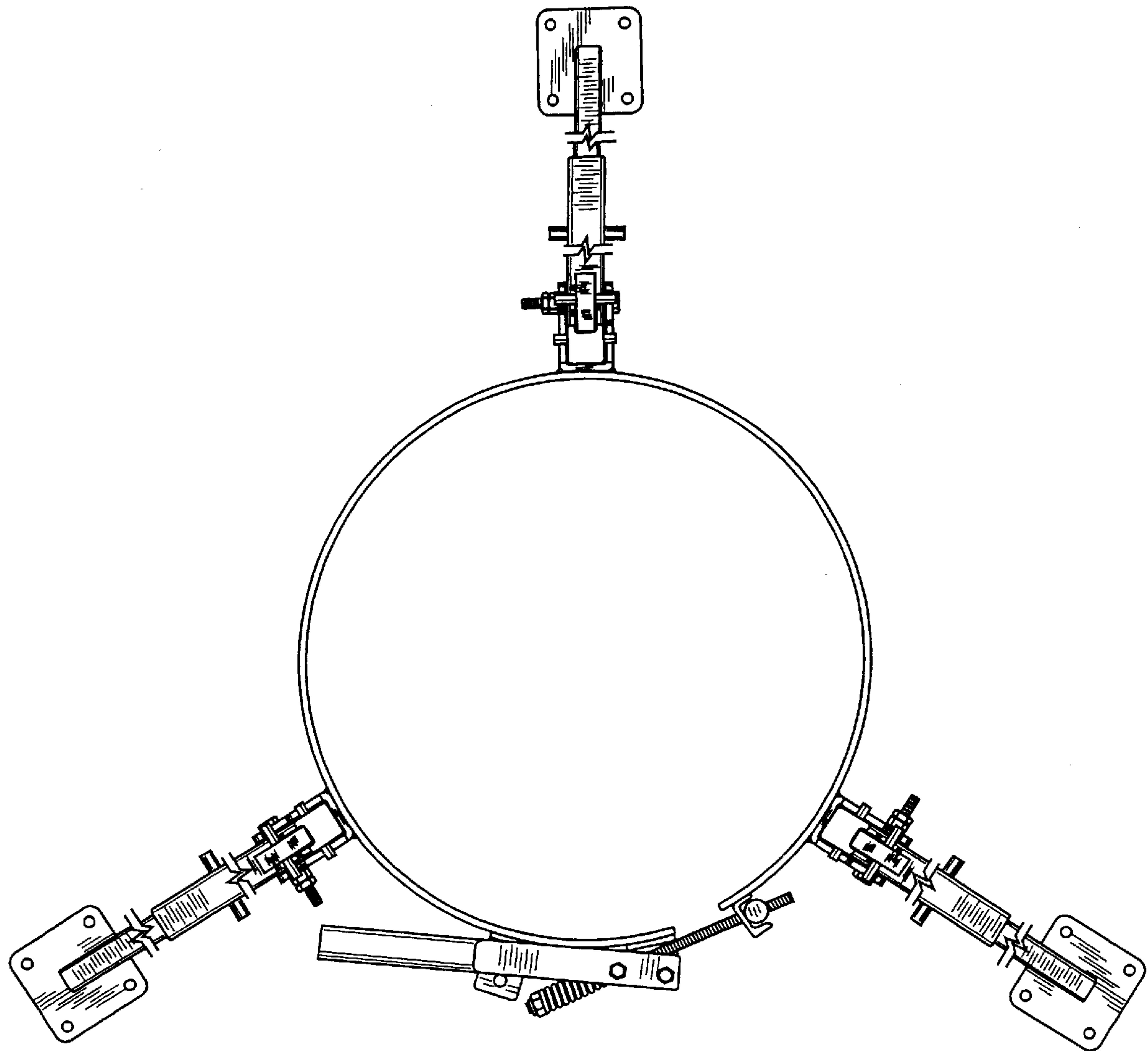


FIG. 7

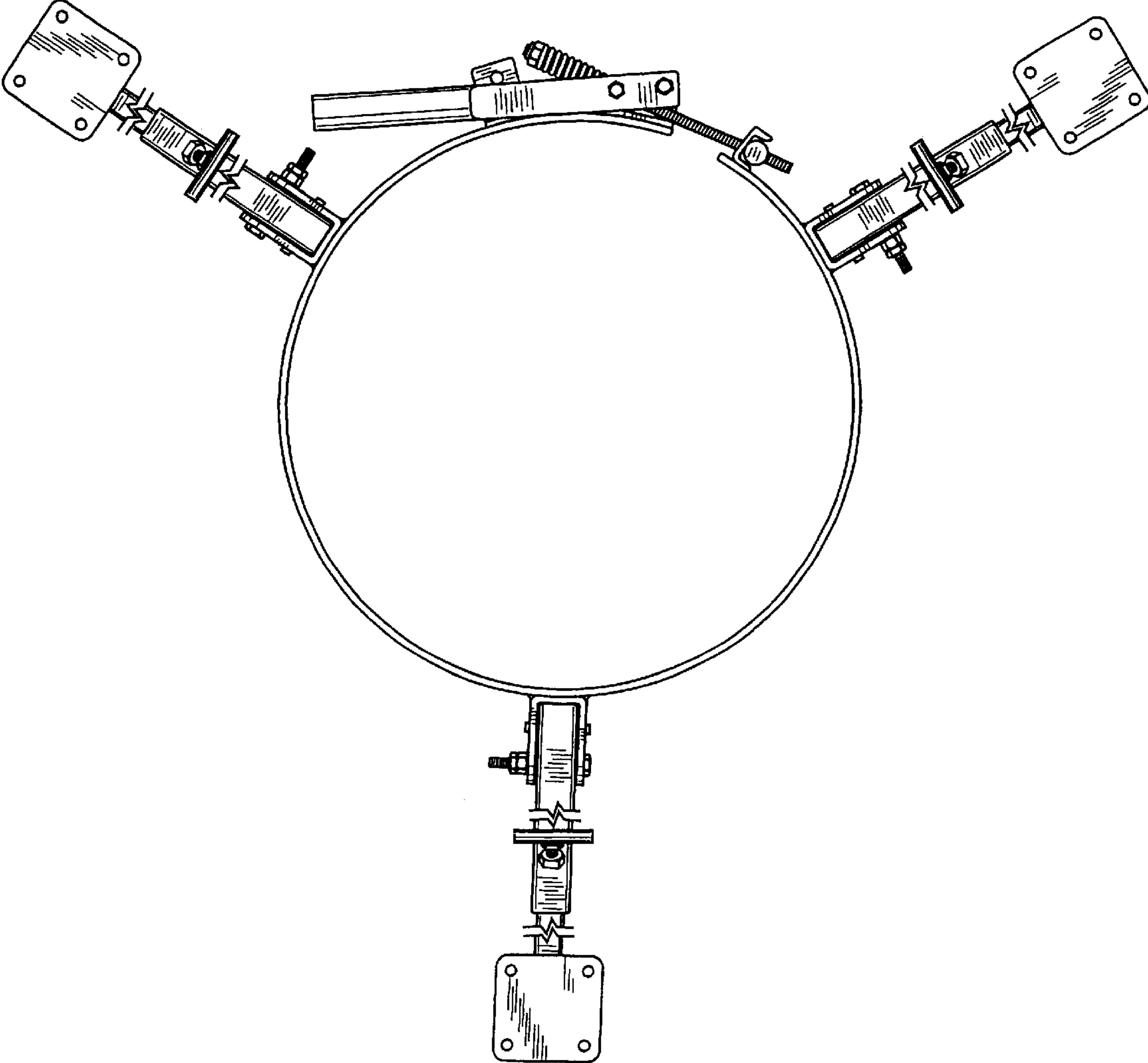


FIG. 8