



US00D523921S

(12) **United States Design Patent**
Metheny, II et al.

(10) **Patent No.:** **US D523,921 S**
(45) **Date of Patent:** **** Jun. 27, 2006**

(54) **FISHING ROD WITH GUN FEATURES**

(76) Inventors: **Max A. Metheny, II**, 320 Turner Rd.,
Baltimore, MD (US) 21221; **Carol H. Wunder**, 2322 Turkey Point Rd.,
Baltimore, MD (US) 21221

(**) Term: **14 Years**

(21) Appl. No.: **29/228,769**

(22) Filed: **Apr. 28, 2005**

(51) **LOC (8) Cl.** **22-05**

(52) **U.S. Cl.** **D22/139**

(58) **Field of Classification Search** D22/137-139,
D22/100-101, 103-105; 43/18.1 R, 19; D21/735,
D21/537

See application file for complete search history.

(56) **References Cited**

U.S. PATENT DOCUMENTS

2,924,211	A	2/1960	MoSwain	124/60
2,965,995	A	* 12/1960	Lasky	43/19
3,292,295	A	12/1966	Saltness	43/19
3,872,853	A	3/1975	Nakatani	124/22
D266,939	S	* 11/1982	Brammell	D22/139
D267,580	S	* 1/1983	Price	D22/138
D296,226	S	6/1988	LeBleu	D22/102

4,920,683	A	5/1990	Weber	43/25.2
D340,092	S	* 10/1993	Carter	D22/103
D370,047	S	5/1996	Eberhard	D22/138
D377,204	S	1/1997	Athanasiadis	D22/134
D416,305	S	* 11/1999	Ruger et al.	D22/103
D460,515	S	* 7/2002	Schumacher	D22/139

* cited by examiner

Primary Examiner—Catherine R. Oliver

(74) *Attorney, Agent, or Firm*—Lawrence J. Gibney, Jr.

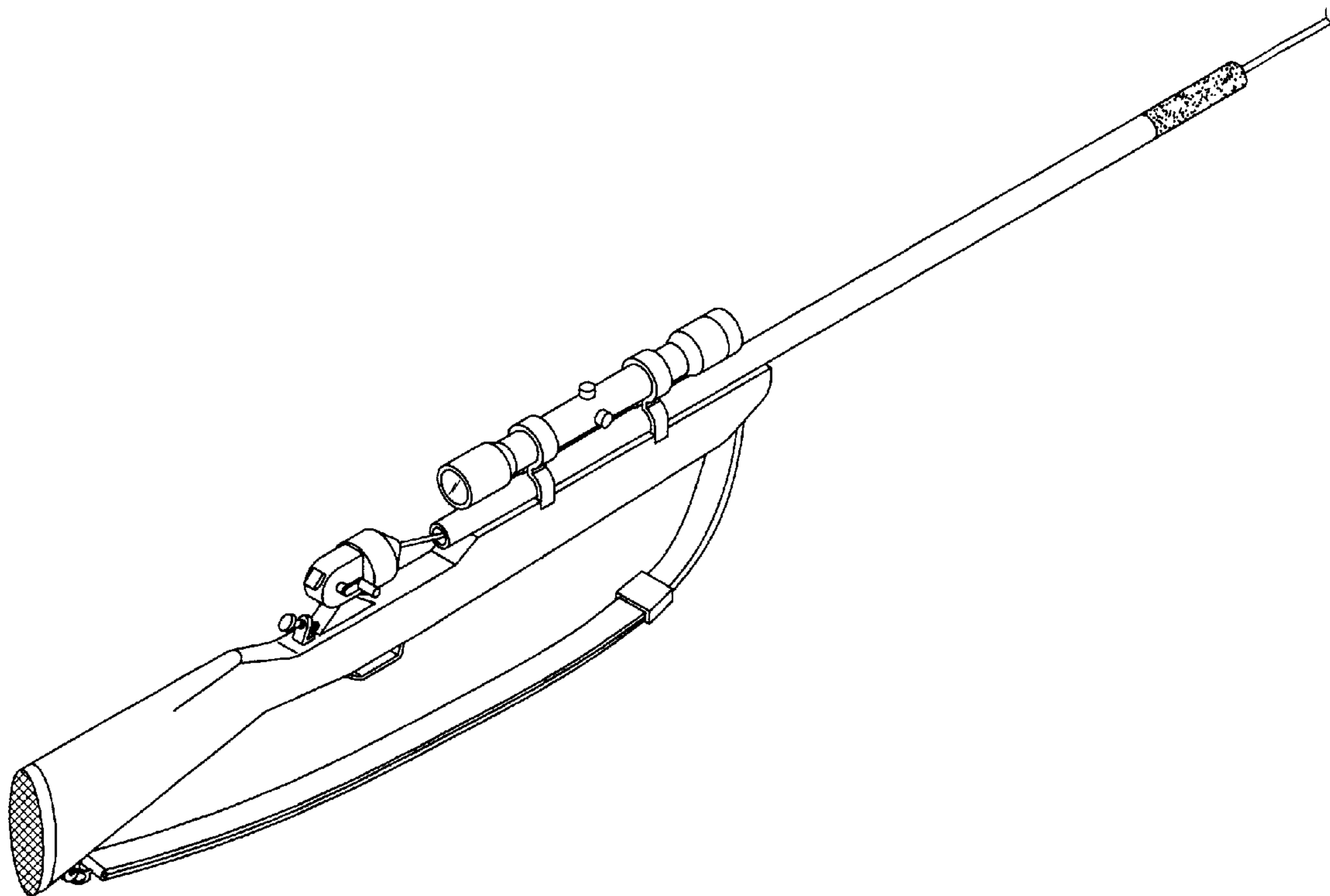
(57) **CLAIM**

The ornamental design for fishing rod with gun features, as shown and described.

DESCRIPTION

FIG. 1 is a right side view of the fishing rod with gun features showing our new design; FIG. 2 is a left side view thereof; FIG. 3 is a rear view thereof; FIG. 4 is a front view thereof; FIG. 5 is a top view thereof; FIG. 6 is a bottom view thereof; and, FIG. 7 is a perspective view thereof. The tip of the rod being shown broken away for convenience of illustration.

1 Claim, 3 Drawing Sheets



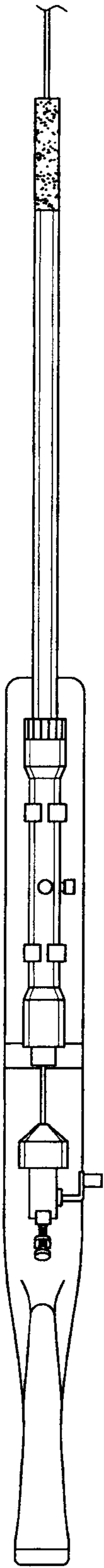


FIG. 5

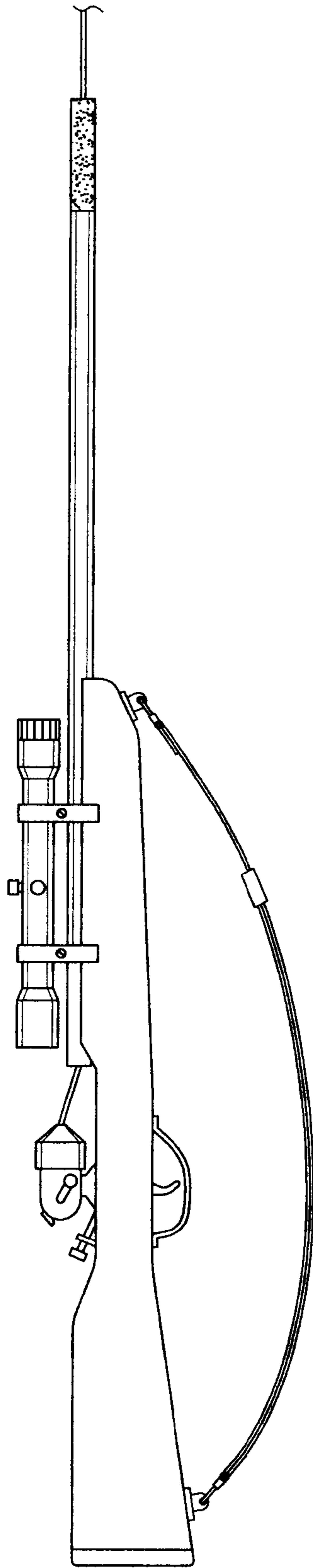


FIG. 1

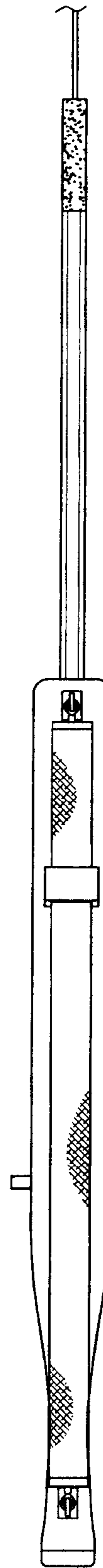
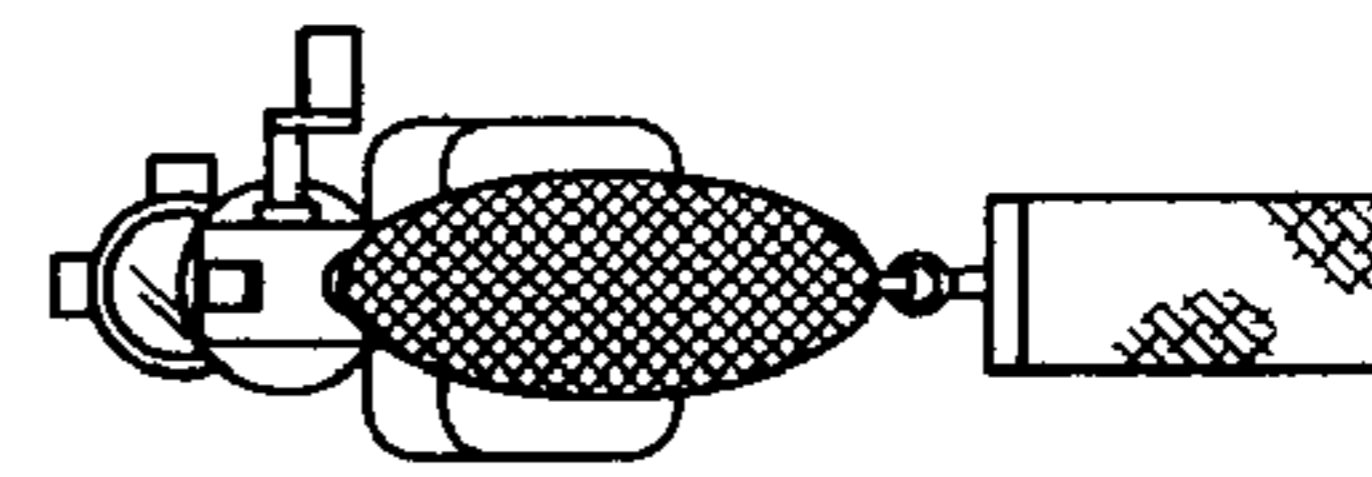
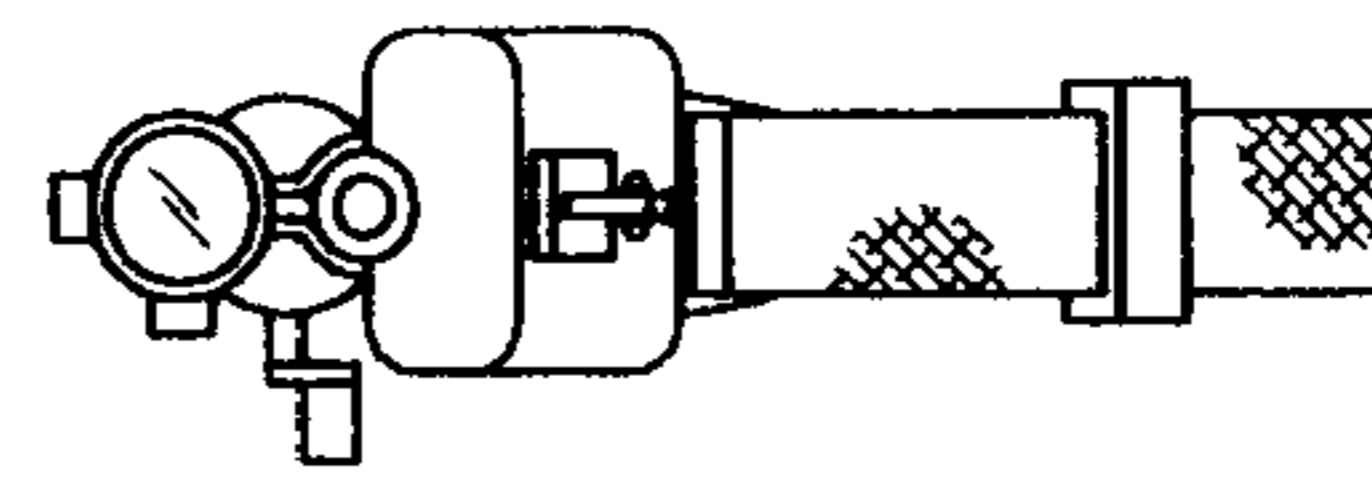
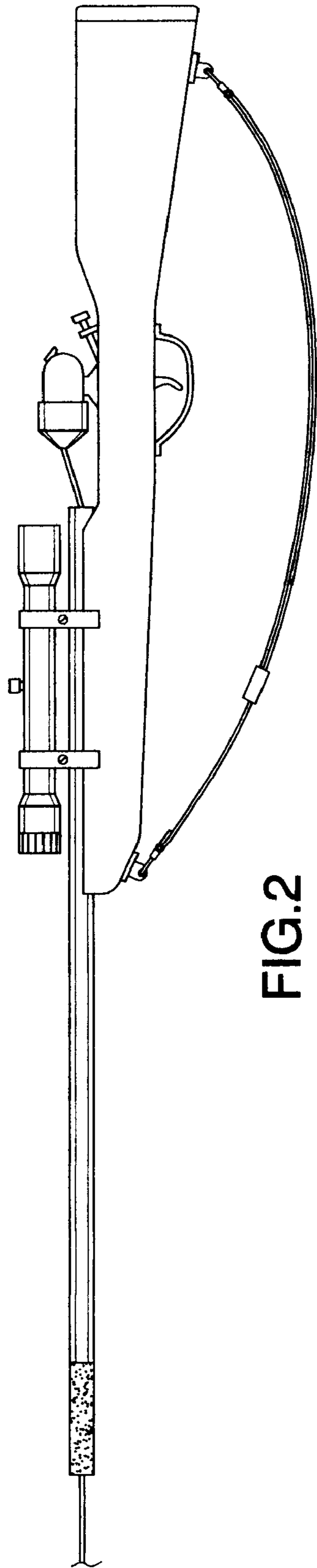


FIG. 6



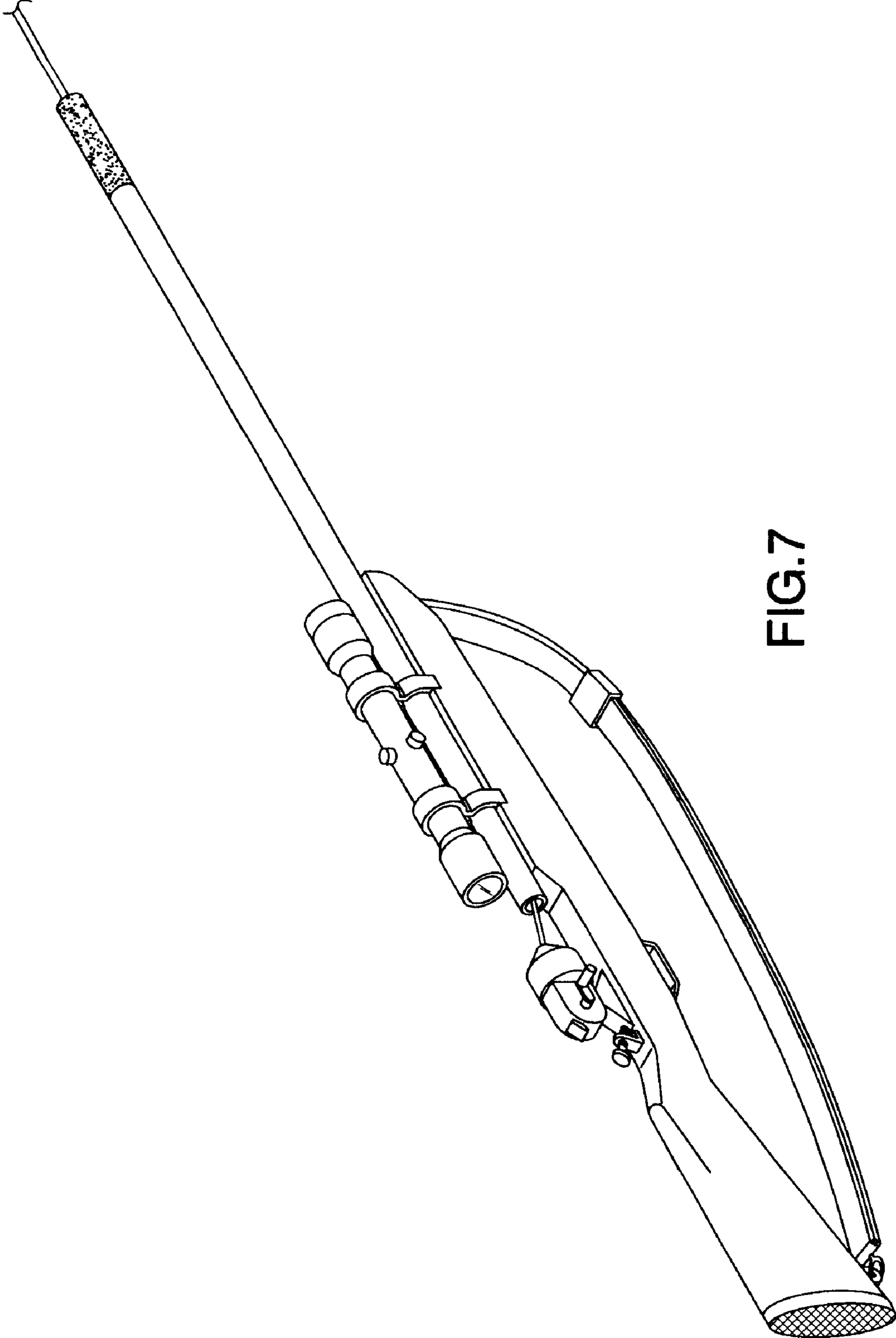


FIG.7