



US00D523920S

(12) **United States Design Patent**
Cresswell

(10) **Patent No.:** **US D523,920 S**

(45) **Date of Patent:** **** Jun. 27, 2006**

(54) **SCUBA TANK BACKPLATE**

D468,792 S * 1/2003 Jacoway et al. D21/804

(76) Inventor: **Gary A. Cresswell**, 49 Haven Rd.,
Plymouth, MA (US) 02360

* cited by examiner

Primary Examiner—Holly H. Baynham

(74) *Attorney, Agent, or Firm*—John P. McGonagle

(**) Term: **14 Years**

(21) Appl. No.: **29/208,556**

(57) **CLAIM**

(22) Filed: **Jul. 1, 2004**

The ornamental design for a scuba tank backplate, as shown and described.

(51) **LOC (8) Cl.** **29-02**

DESCRIPTION

(52) **U.S. Cl.** **D21/804; D8/354**

(58) **Field of Classification Search** D8/354,
D8/373; D21/801, 804; 224/428; 405/186
See application file for complete search history.

FIG. 1 is a front perspective view of a scuba tank backplate embodying my new design with an attached harness system, wherein the attached harness system is shown in broken lines for illustrative purposes only and forms no part of the claimed design;

FIG. 2 is a front elevational thereof;

FIG. 3 is a side view thereof, the opposite side being a mirror image thereof;

FIG. 4 is a rear view thereof;

FIG. 5 is a top view thereof; and,

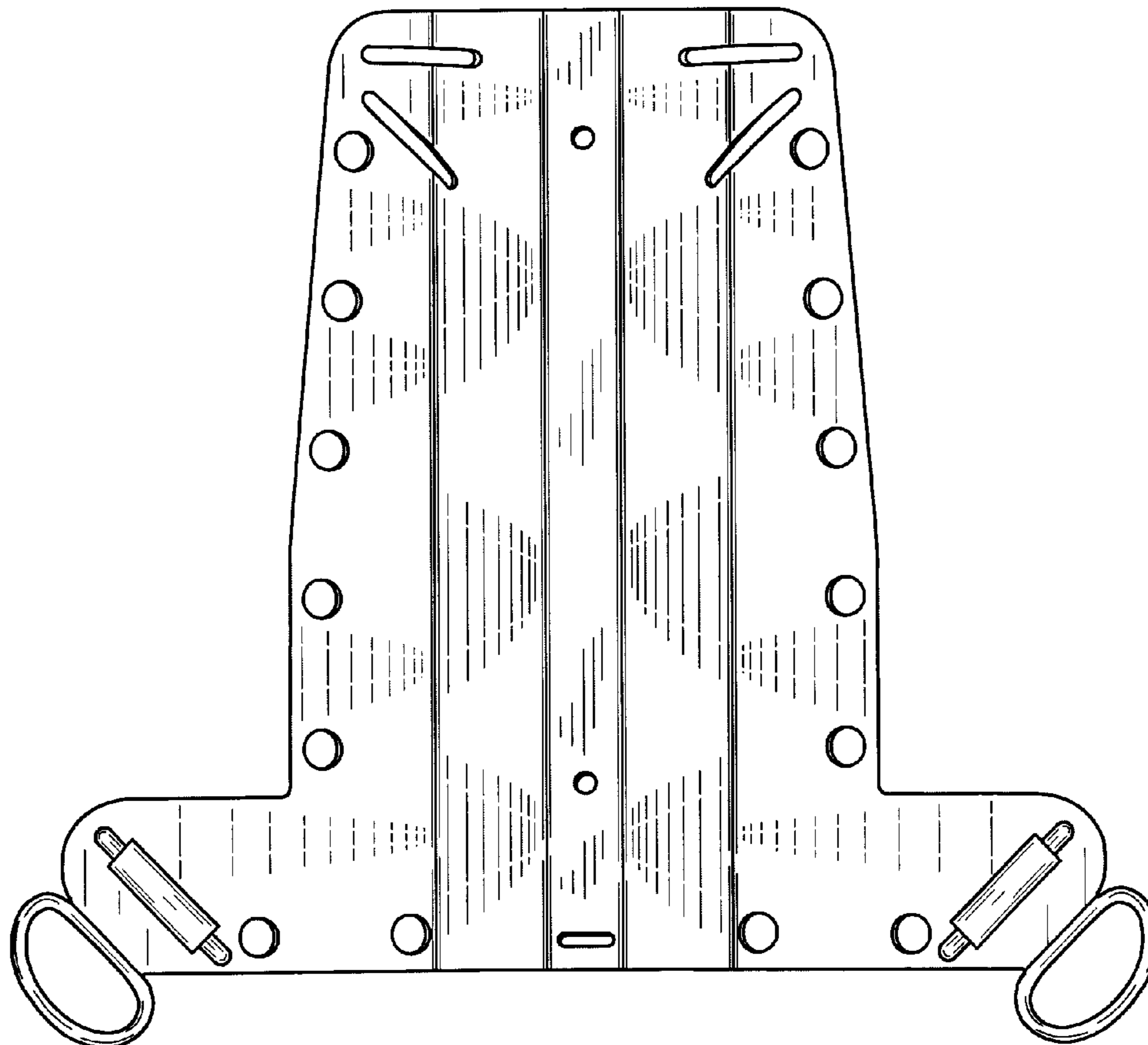
FIG. 6 is a bottom view thereof.

(56) **References Cited**

U.S. PATENT DOCUMENTS

2,943,775	A	7/1960	Mack	
4,310,110	A *	1/1982	Dexter	224/246
5,913,467	A *	6/1999	Berg	224/628
D415,013	S	10/1999	Griffiths	
D444,697	S *	7/2001	Kim	D8/373
6,367,753	B1 *	4/2002	Berg	248/222.11
6,409,429	B1 *	6/2002	Belloni	405/186

1 Claim, 4 Drawing Sheets



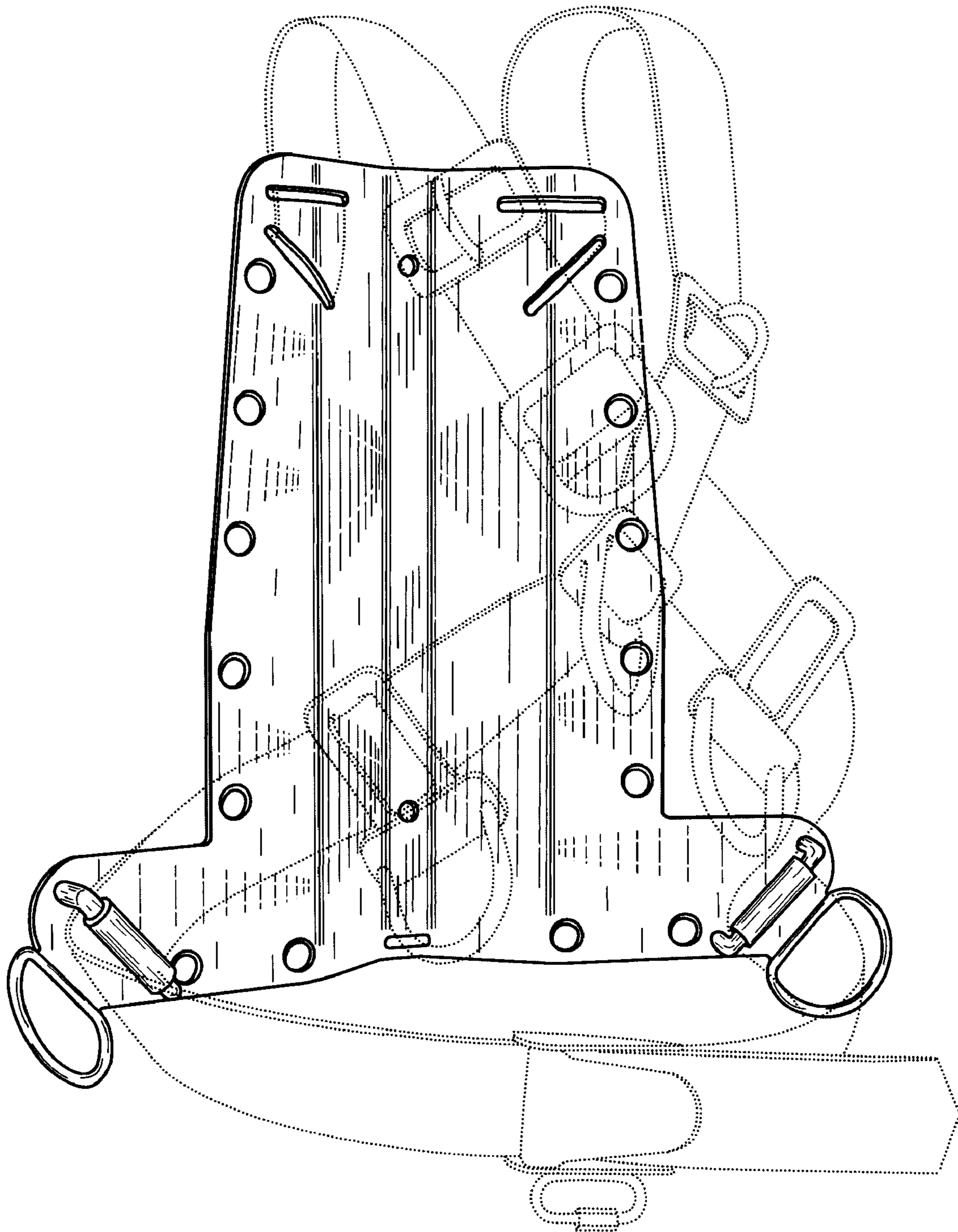


FIG. 1

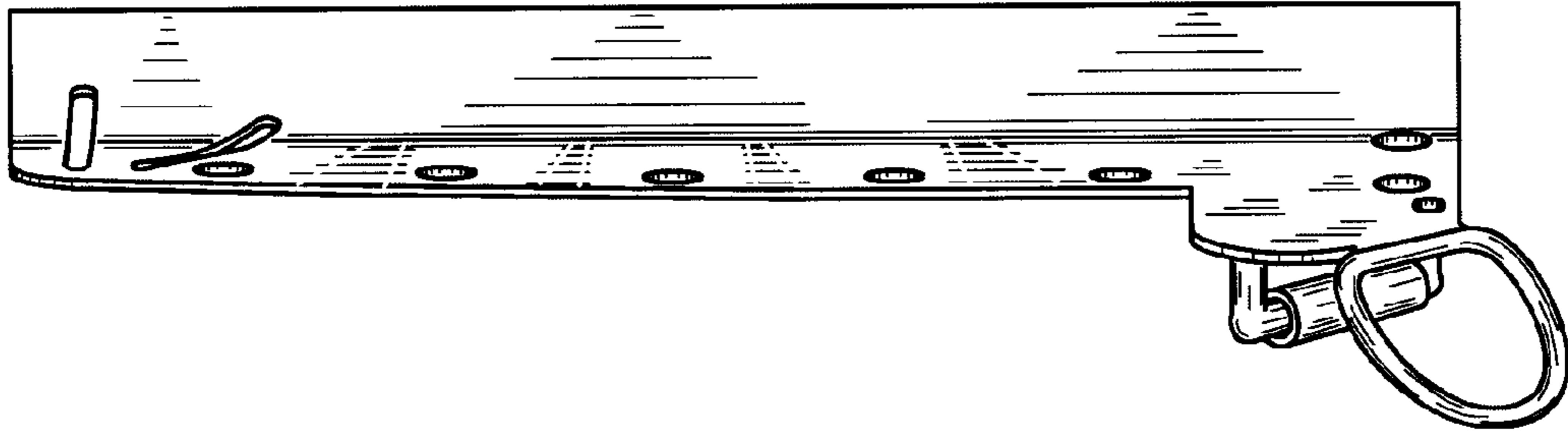


FIG. 3

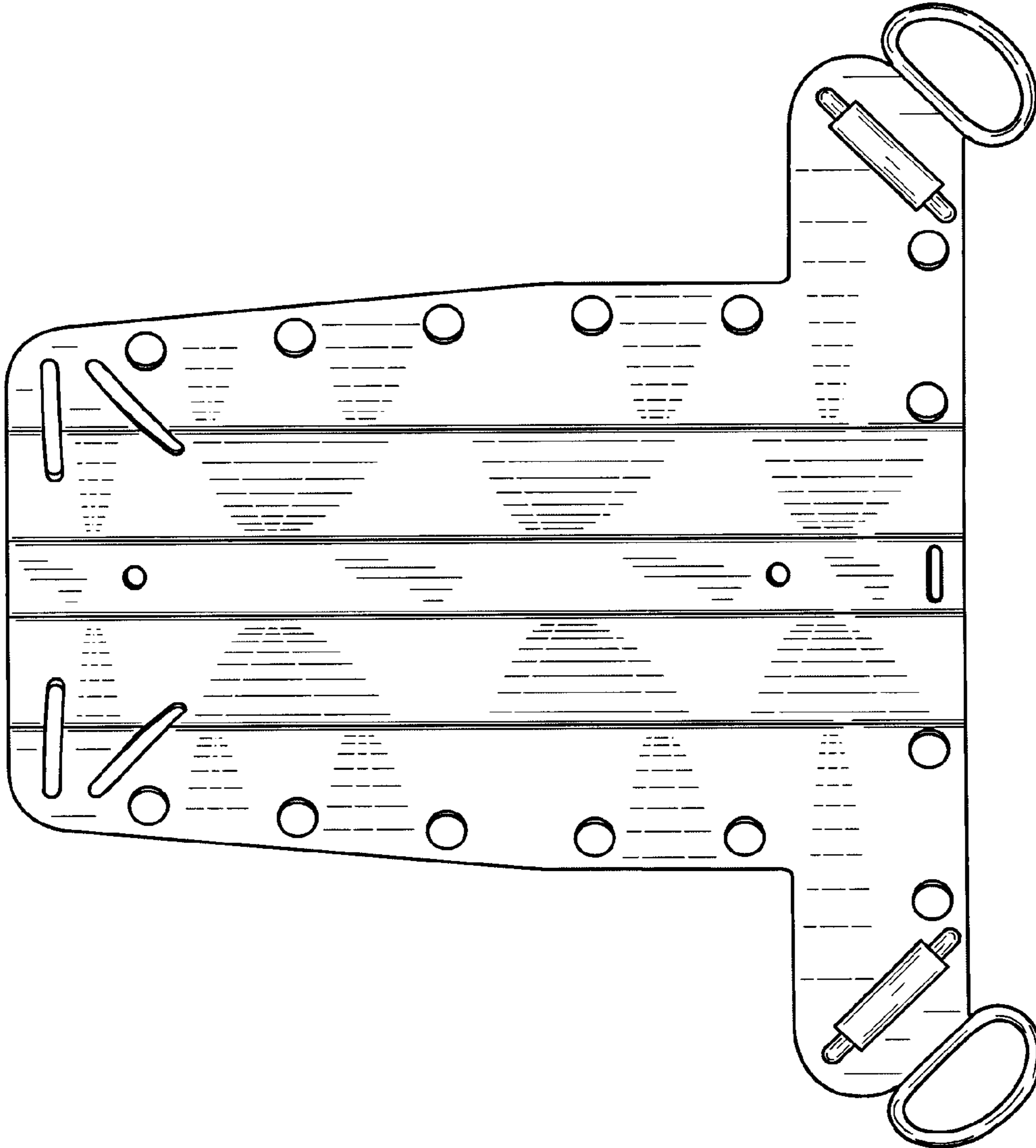


FIG. 2

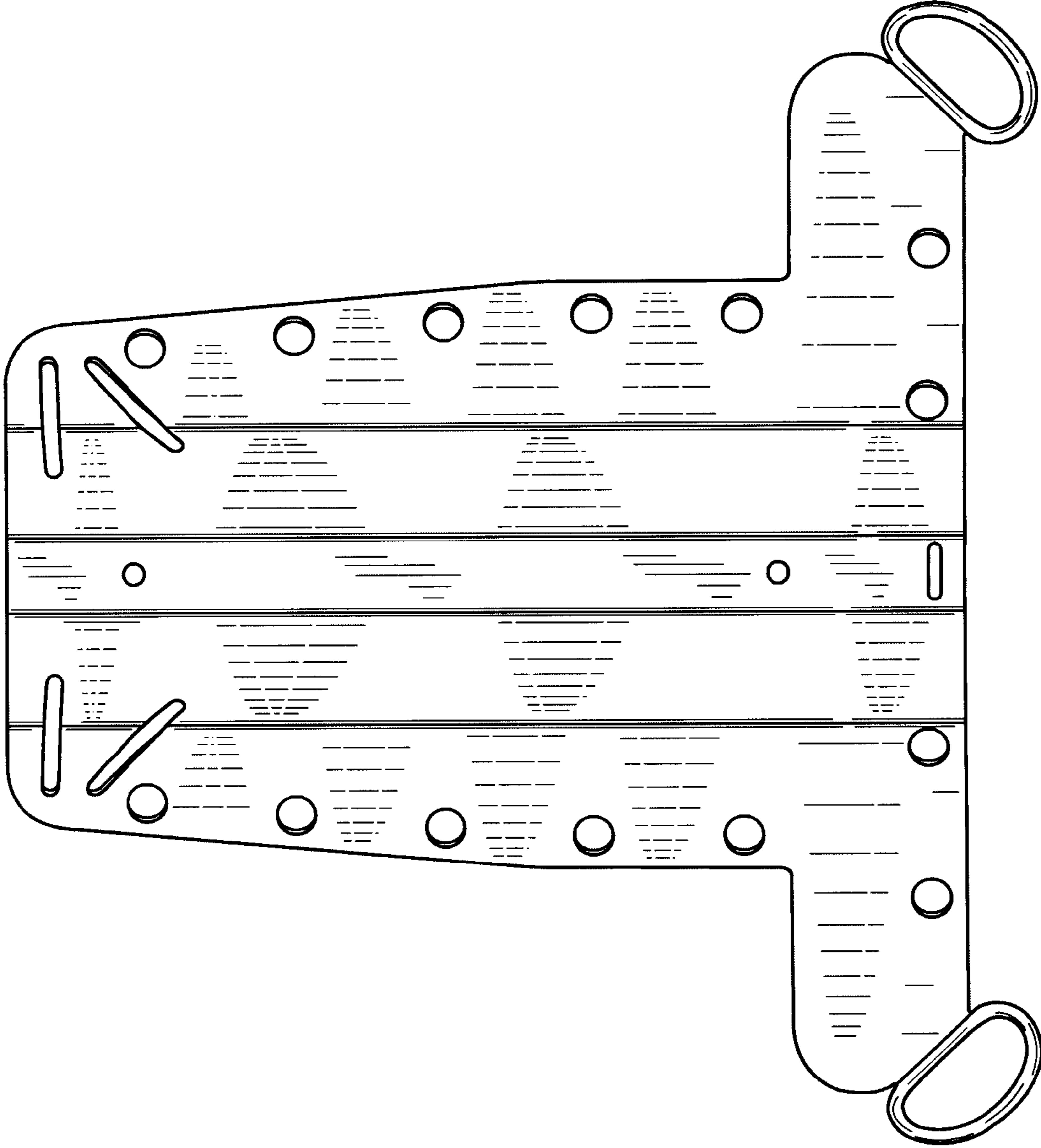


FIG. 4

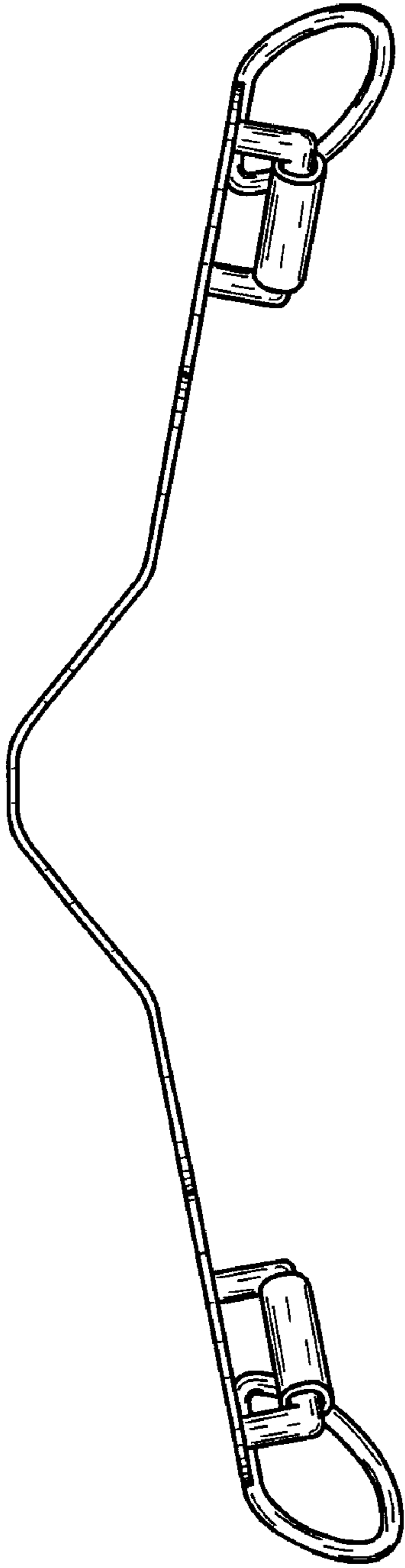


FIG. 5

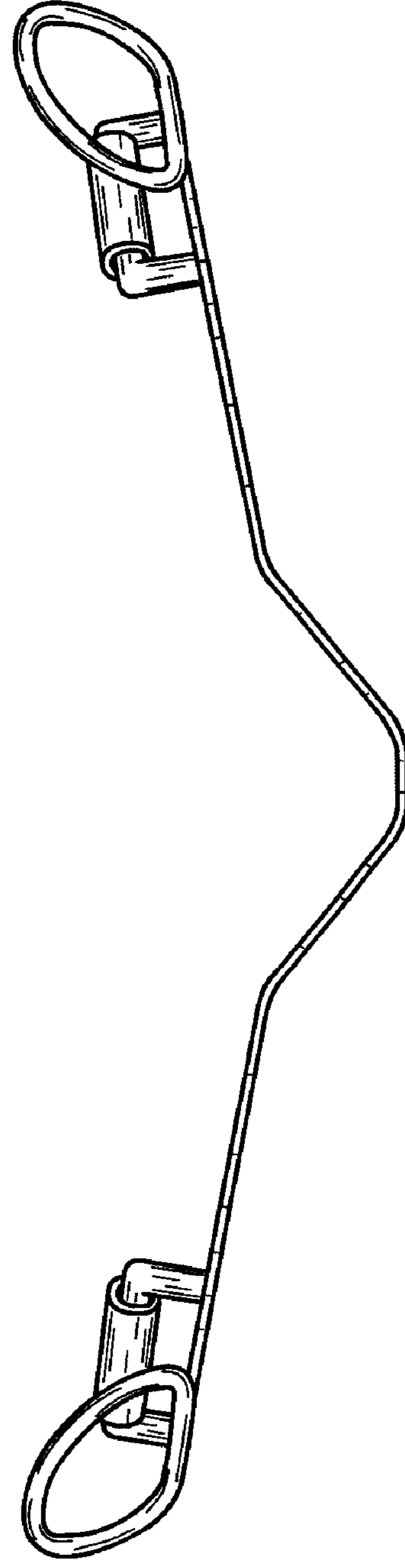


FIG. 6