



US00D523915S

(12) **United States Design Patent**  
**Bergstrom**

(10) **Patent No.:** **US D523,915 S**

(45) **Date of Patent:** **\*\* Jun. 27, 2006**

(54) **GOLF PUTTER HEAD**

(76) **Inventor:** **Par Bergstrom**, Alvsborgsgatan 18,  
Goteborg (SE), SE 414 52

(\*\*) **Term:** **14 Years**

(21) **Appl. No.:** **29/227,001**

(22) **Filed:** **Apr. 6, 2005**

(51) **LOC (8) Cl.** ..... **21-02**

(52) **U.S. Cl.** ..... **D21/742**

(58) **Field of Classification Search** ..... D21/736-746;  
473/324-331, 340, 341, 251-256  
See application file for complete search history.

(56) **References Cited**

**U.S. PATENT DOCUMENTS**

D228,929 S	*	10/1973	Hoglund	.....	D21/743
D377,675 S	*	1/1997	Abel	.....	D21/745
5,935,015 A	*	8/1999	Spiegel	.....	473/226
D422,328 S	*	4/2000	Lannoch	.....	D21/743

D483,824 S	*	12/2003	Tang et al.	.....	D21/738
D494,236 S	*	8/2004	Shmoldas et al.	.....	D21/736
D497,402 S	*	10/2004	Moore	.....	D21/736
6,863,617 B1	*	3/2005	Park	.....	473/226

\* cited by examiner

*Primary Examiner*—Mitchell Siegel

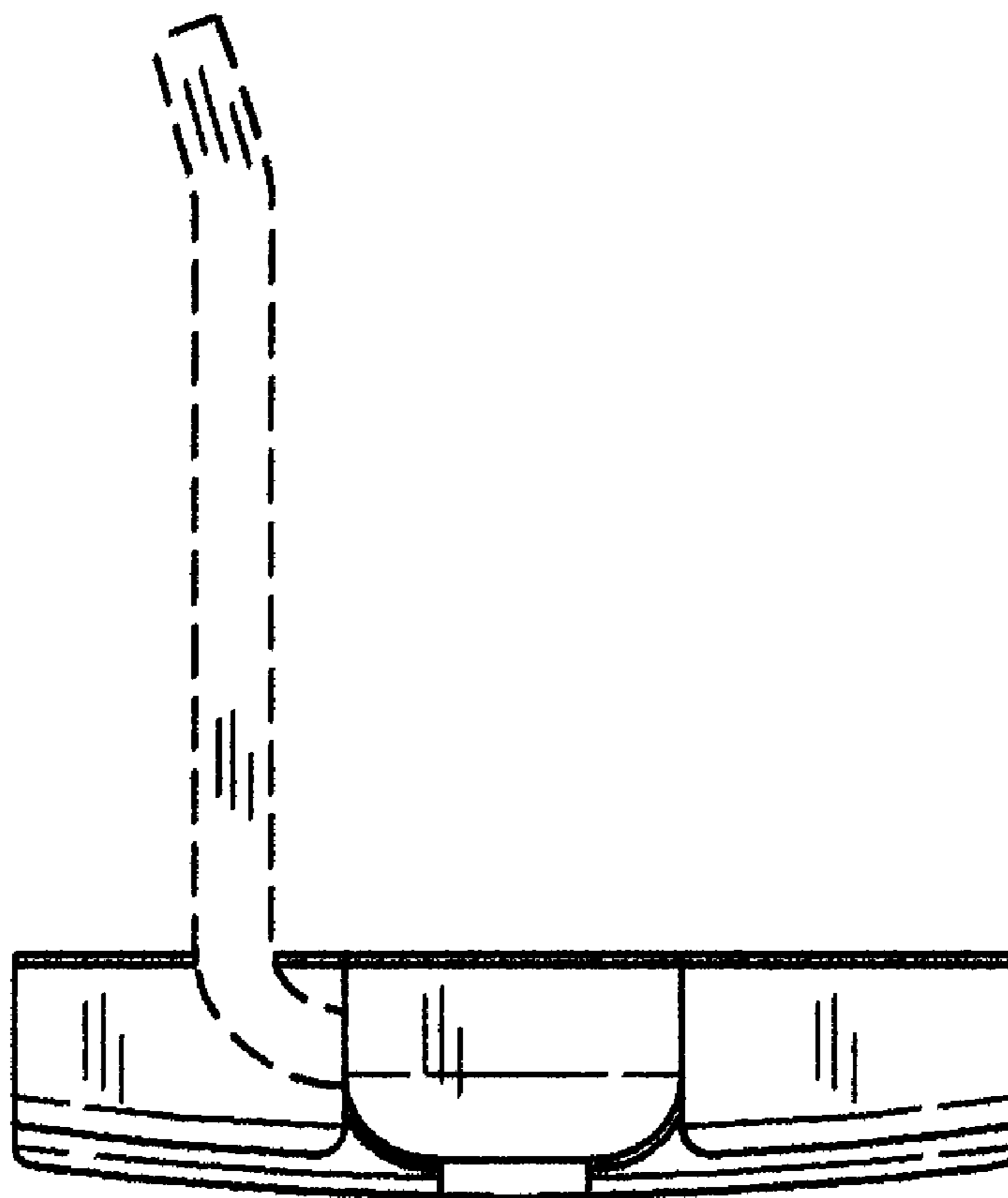
(57) **CLAIM**

The ornamental design for a golf putter head, as shown.

**DESCRIPTION**

FIG. 1 is a perspective view of a golf putter head showing my new design;  
FIG. 2 is an exploded view thereof;  
FIG. 3 is a top view elevation thereof;  
FIG. 4 is a bottom view elevation thereof;  
FIG. 5 is a right side view elevation thereof; and  
FIG. 6 is a left side view elevation thereof.  
FIG. 7 is a front view elevation thereof; and,  
FIG. 8 is a rear view elevation thereof.

**1 Claim, 3 Drawing Sheets**



**Rear elevation view**

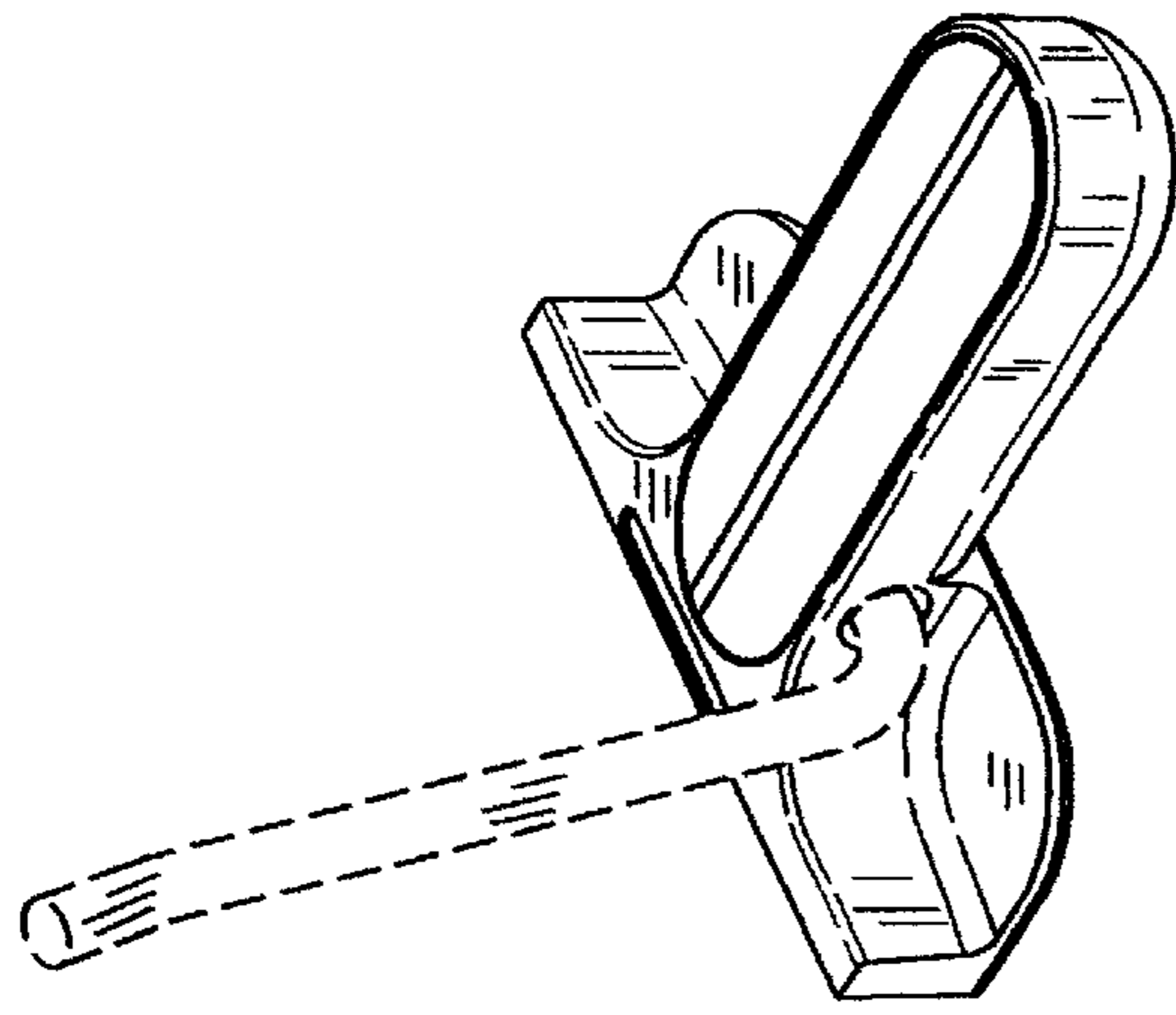


Fig. 3 Perspective view

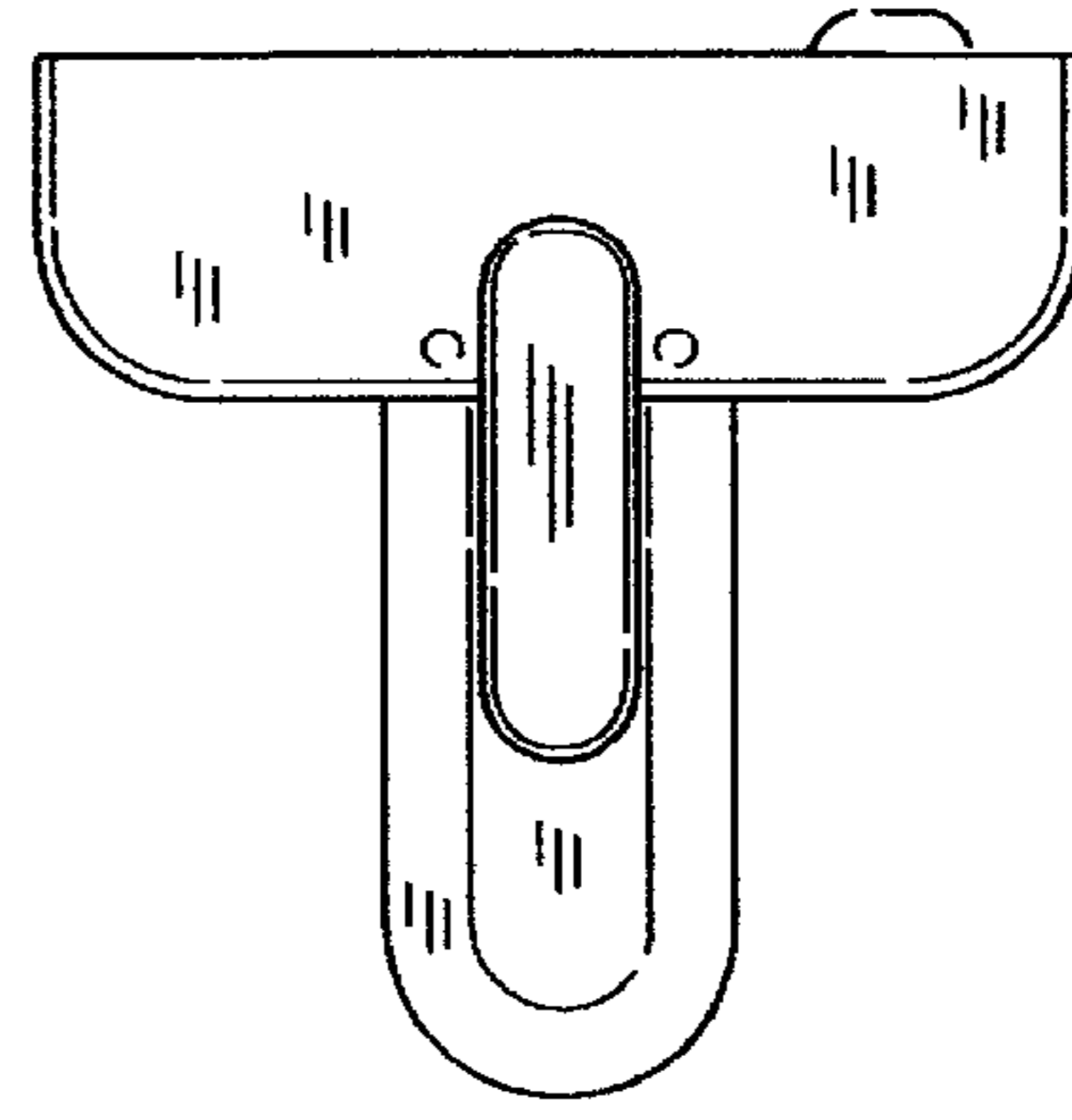


Fig. 6 Bottom view

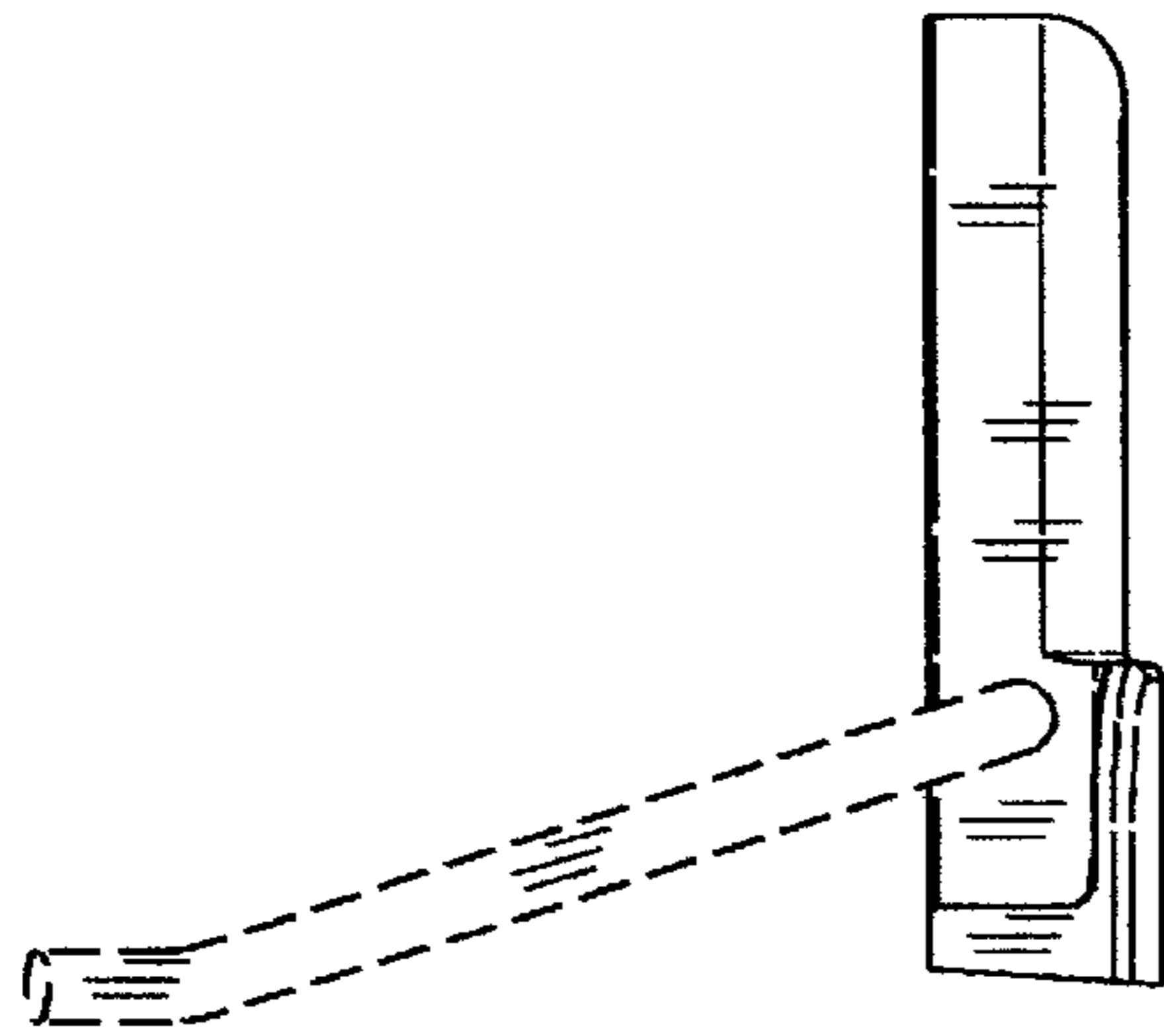


Fig. 2 Side view

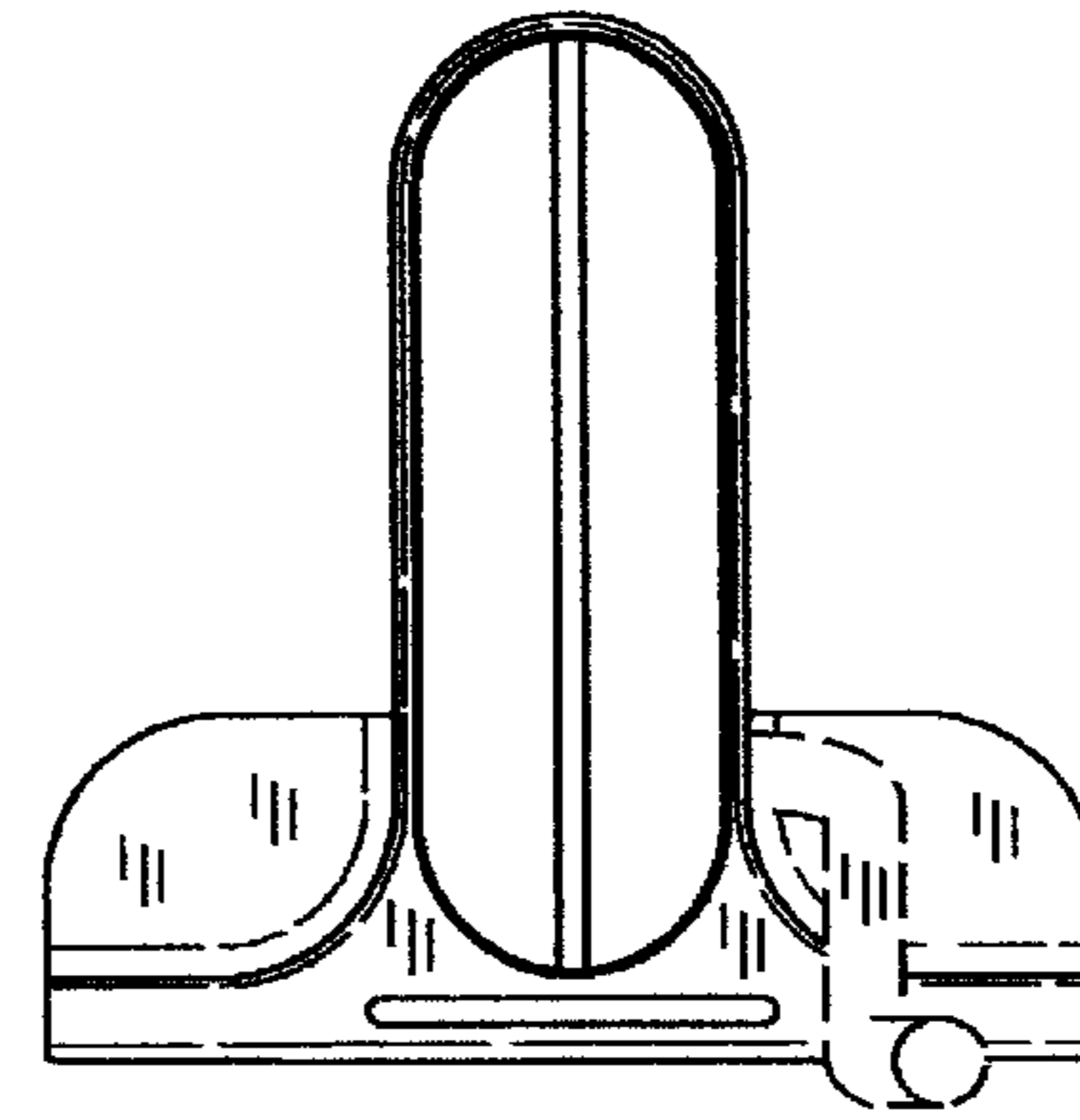


Fig. 5 Top view

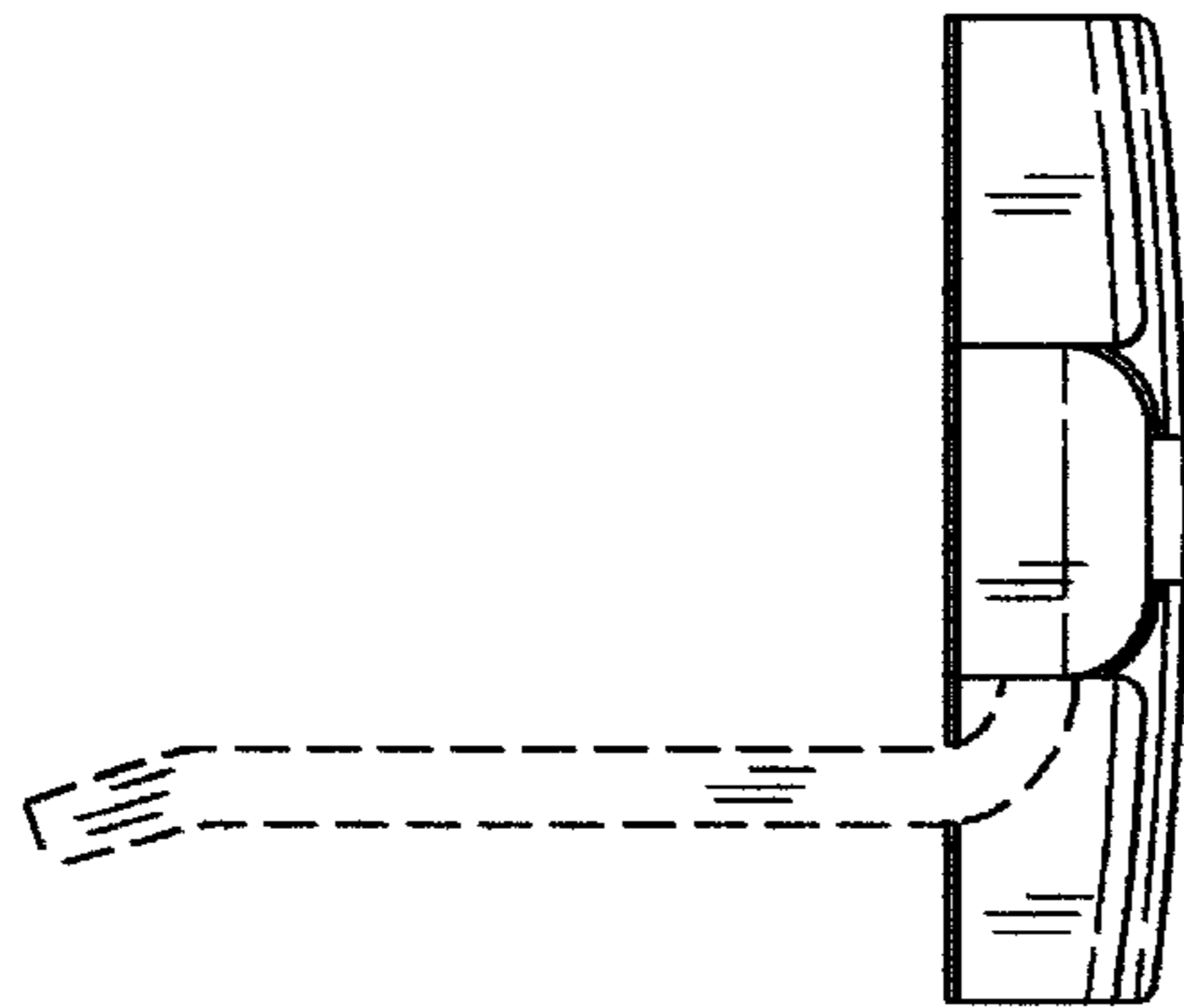


Fig. 1 Rear elevation view

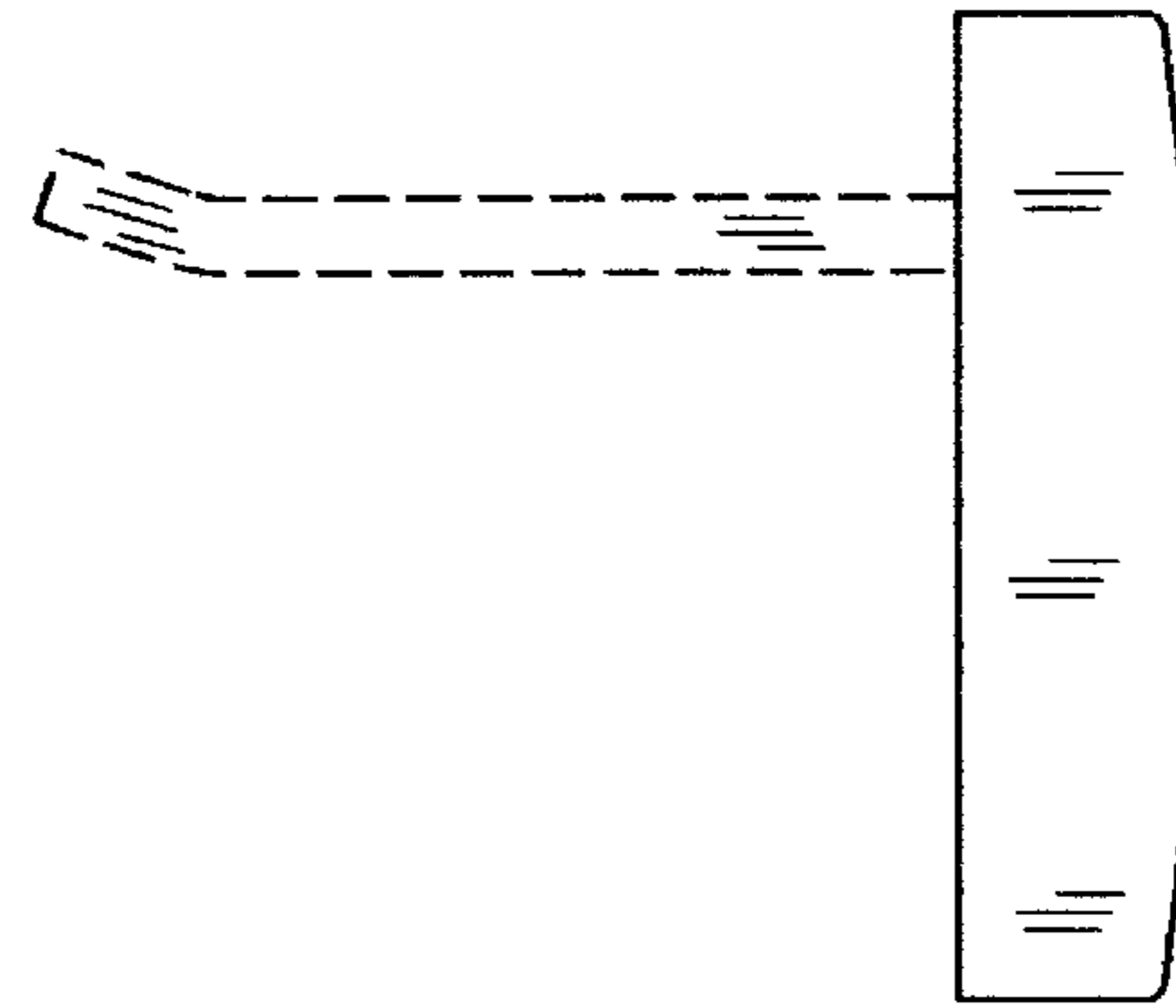


Fig. 4 Front elevation view

Fig. 7

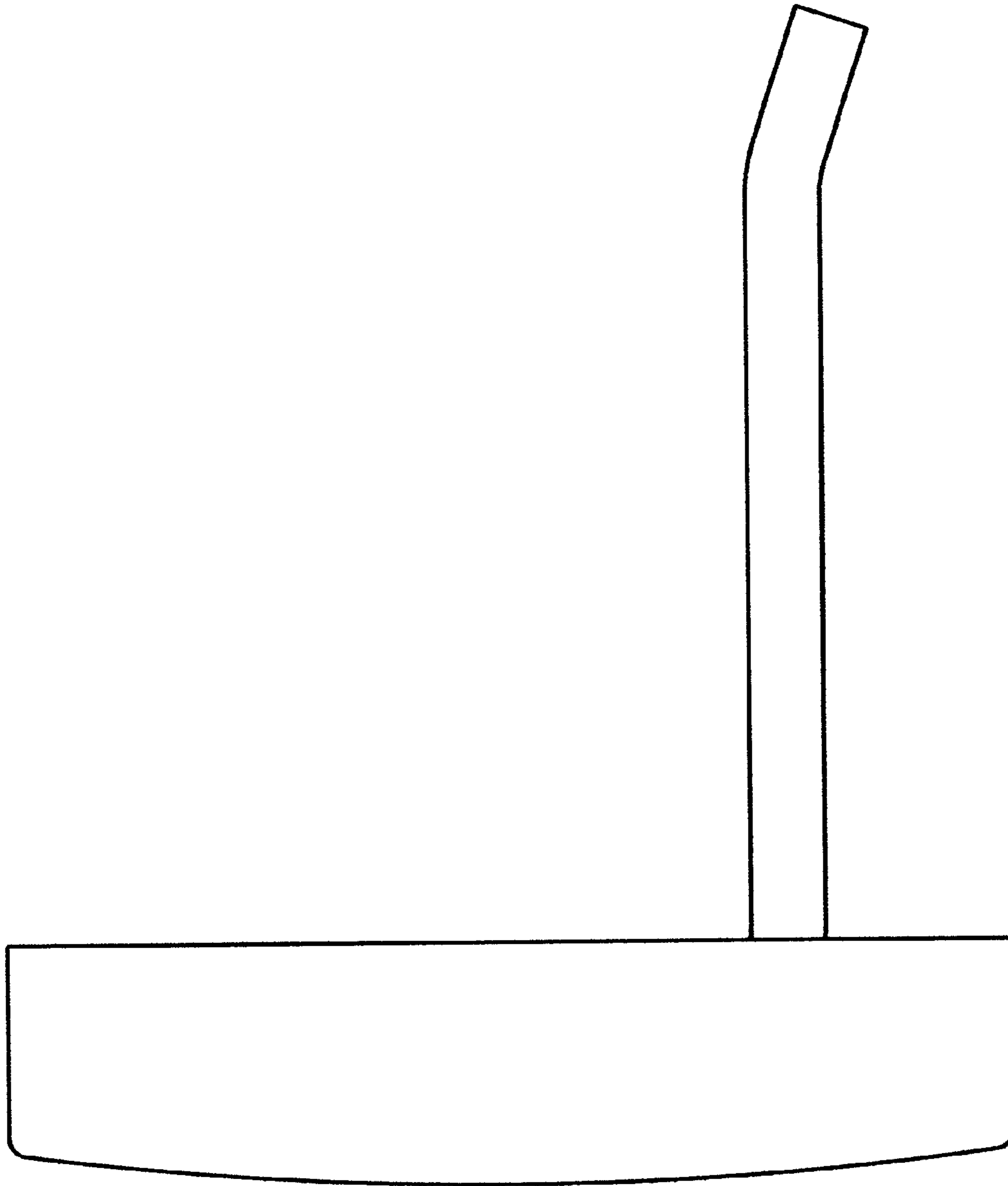


Fig. 8

