

US00D523912S

(12) **United States Design Patent**  
**Tucker**

(10) **Patent No.:** **US D523,912 S**  
(45) **Date of Patent:** **\*\* Jun. 27, 2006**

(54) **CHILDREN'S RIDE ON VEHICLE AND TRANSMITTER**

(76) Inventor: **Anthony Tucker**, 1578 Schley St., Hillside, NJ (US) 07205

(\*\*) Term: **14 Years**

(21) Appl. No.: **29/215,275**

(22) Filed: **Oct. 18, 2004**

(51) **LOC (8) Cl.** ..... **21-01**

(52) **U.S. Cl.** ..... **D21/433**

(58) **Field of Classification Search** ..... D21/548, D21/549, 533, 550-560, 424-435, 562; D12/90-92, D12/86, 446, 465, 470, 87, 88; 280/29, 11.289, 280/11.231, 87.01, 87.02, 87.021, 1.13; 446/454, 446/465, 470, 160-165; 440/37; 180/117, 180/169, 116, 119; 114/67, 67 A  
See application file for complete search history.

(56) **References Cited**

**U.S. PATENT DOCUMENTS**

D220,837 S	*	6/1971	Mattson	.....	D12/98
D253,193 S	*	10/1979	Pauly et al.	.....	D21/548
D285,466 S	*	9/1986	Ohno	.....	D21/581
D295,304 S	*	4/1988	Shibukawa	.....	D21/581
D299,666 S	*	1/1989	Harrod	.....	D21/551

D340,208 S	*	10/1993	Wolfe et al.	.....	D12/87
D393,609 S	*	4/1998	Kanthak et al.	.....	D12/91
5,871,386 A	*	2/1999	Bart et al.	.....	446/460
D423,603 S		4/2000	Tasy		
6,428,383 B1	*	8/2002	Allmon et al.	.....	446/460
6,527,612 B1	*	3/2003	Wong	.....	446/175
6,620,022 B1	*	9/2003	Smith et al.	.....	446/454
6,771,034 B1	*	8/2004	Reile et al.	.....	318/139

\* cited by examiner

*Primary Examiner*—Raphael Barkai  
*Assistant Examiner*—Randall H. Gholson

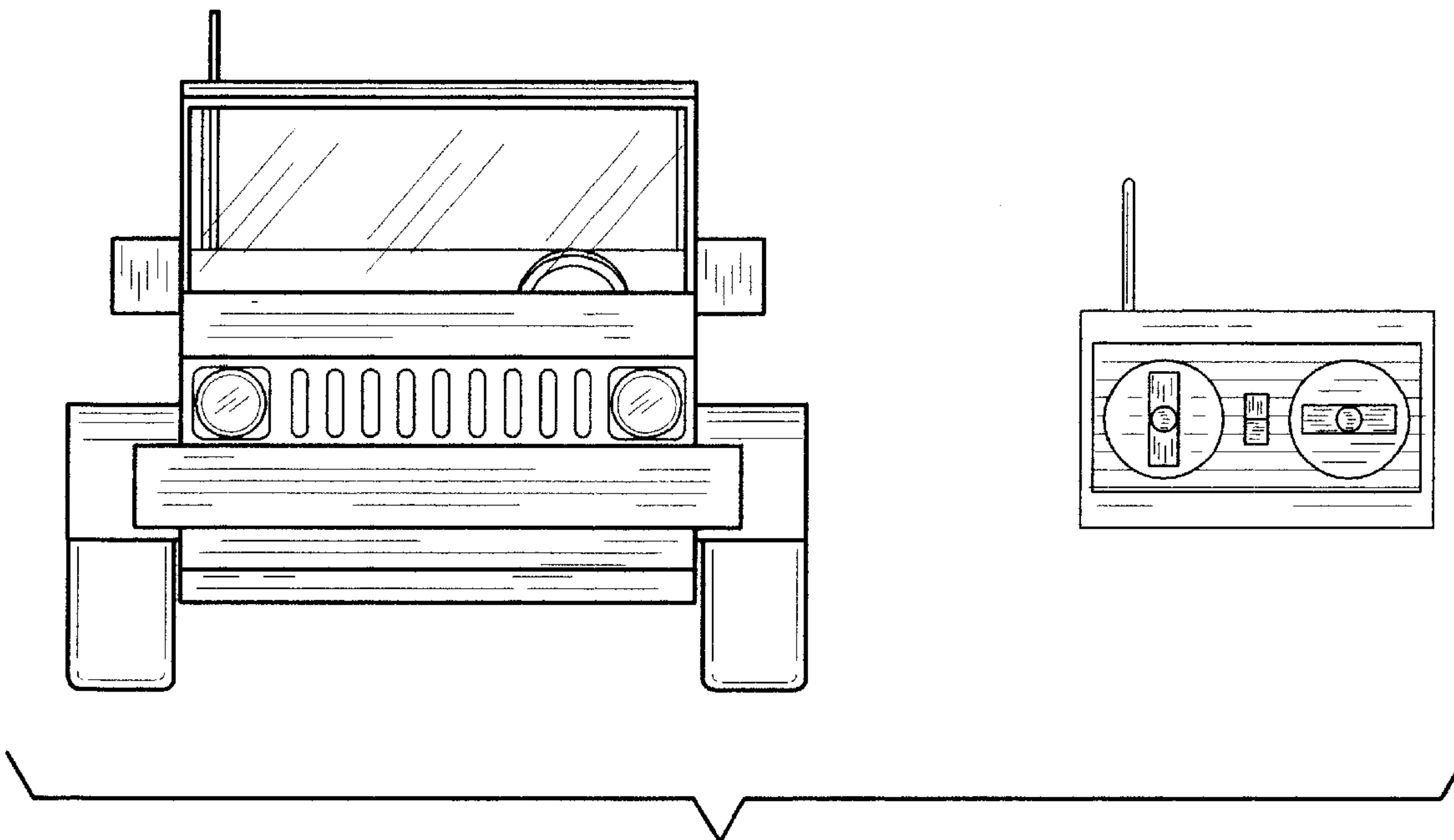
(57) **CLAIM**

The ornamental design for a children's ride on vehicle and transmitter, as shown and described.

**DESCRIPTION**

FIG. 1 is a front elevation view of a children's ride on vehicle and transmitter showing my new design; FIG. 2 is a rear elevation view of my invention; FIG. 3 is a side elevation view; FIG. 4 is a top view of a children's ride on vehicle and transmitter showing my new design; and, FIG. 5 is a bottom view of a children's ride on vehicle and transmitter showing my new design.

**1 Claim, 5 Drawing Sheets**



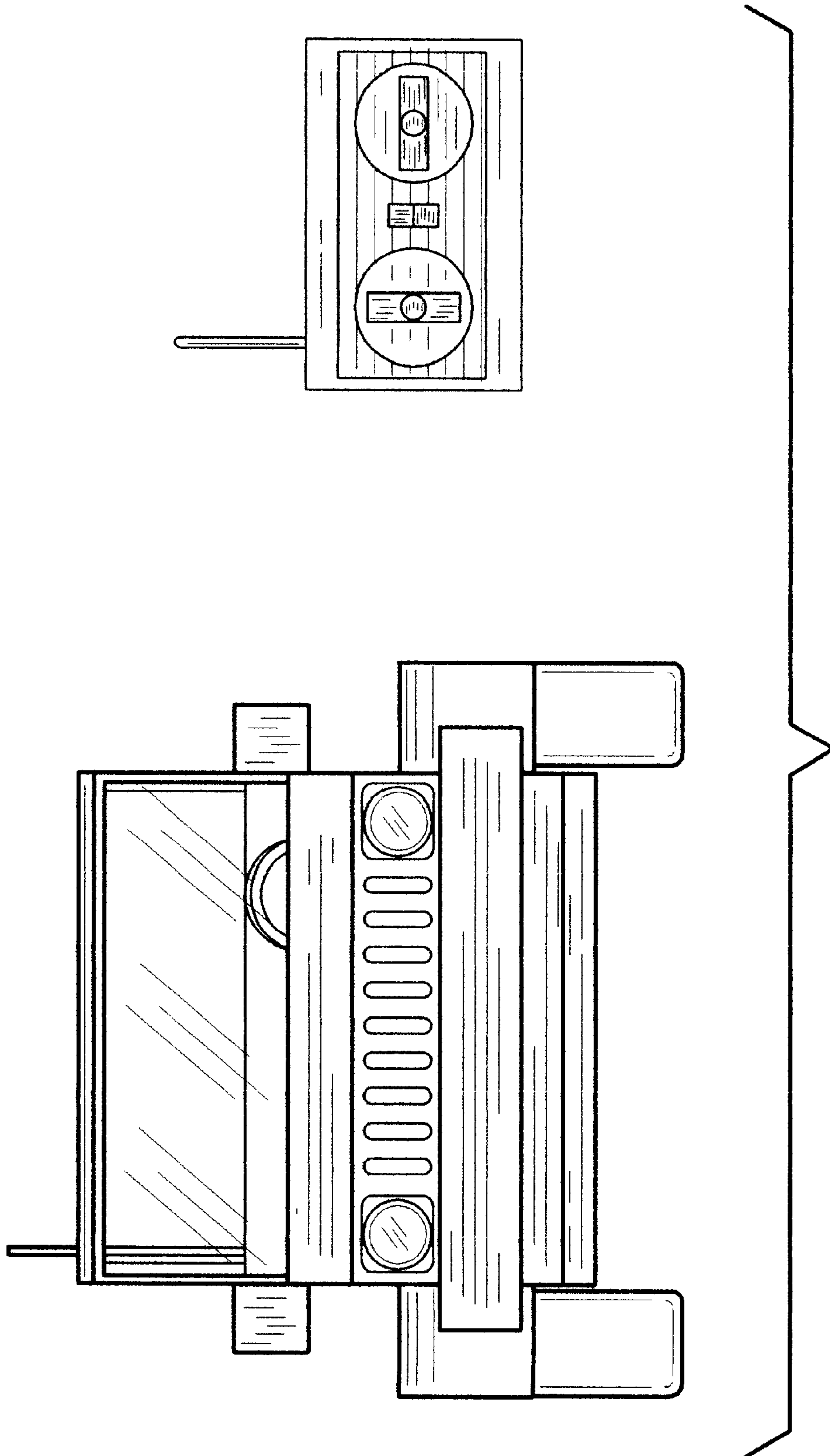


FIG. 1

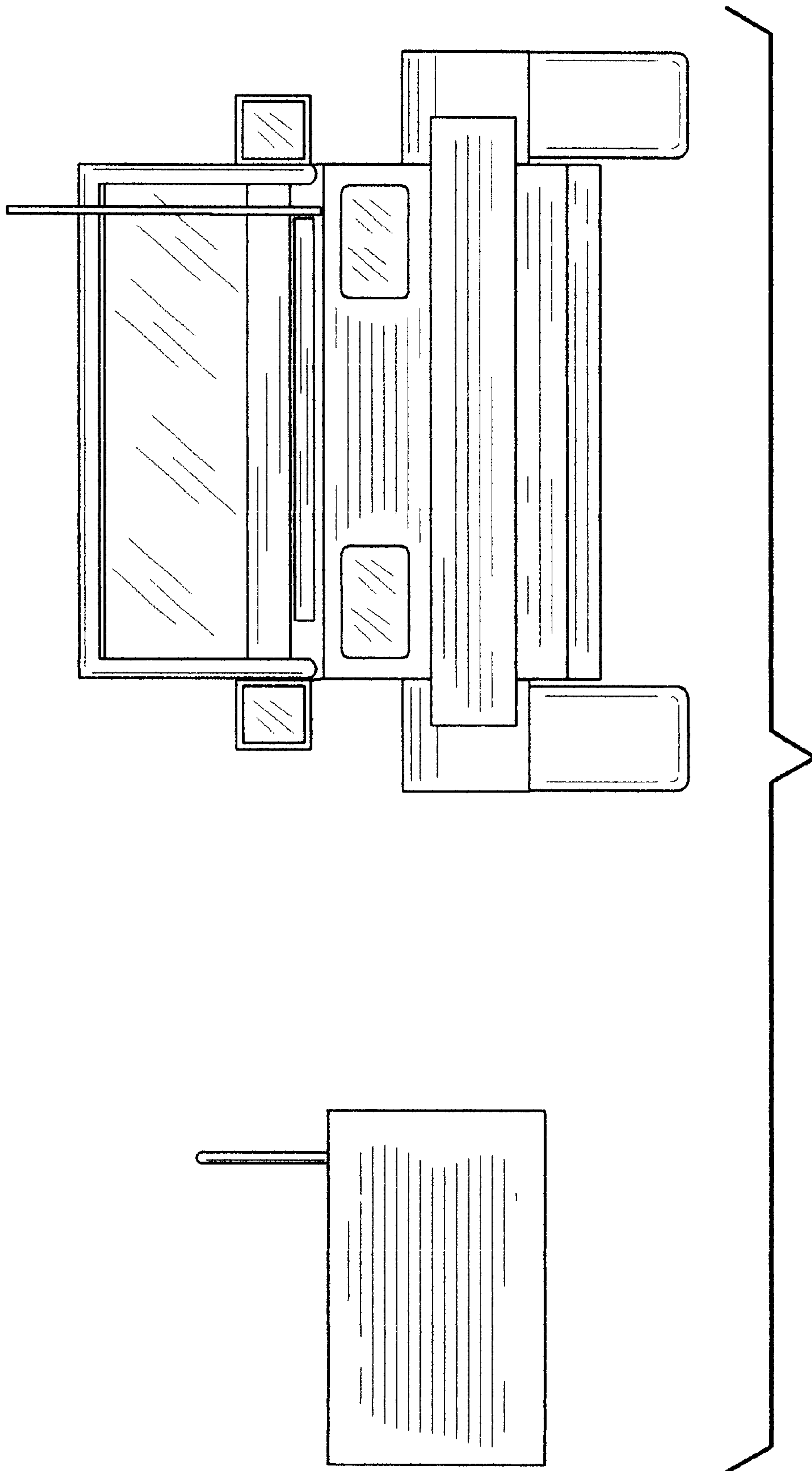


FIG. 2

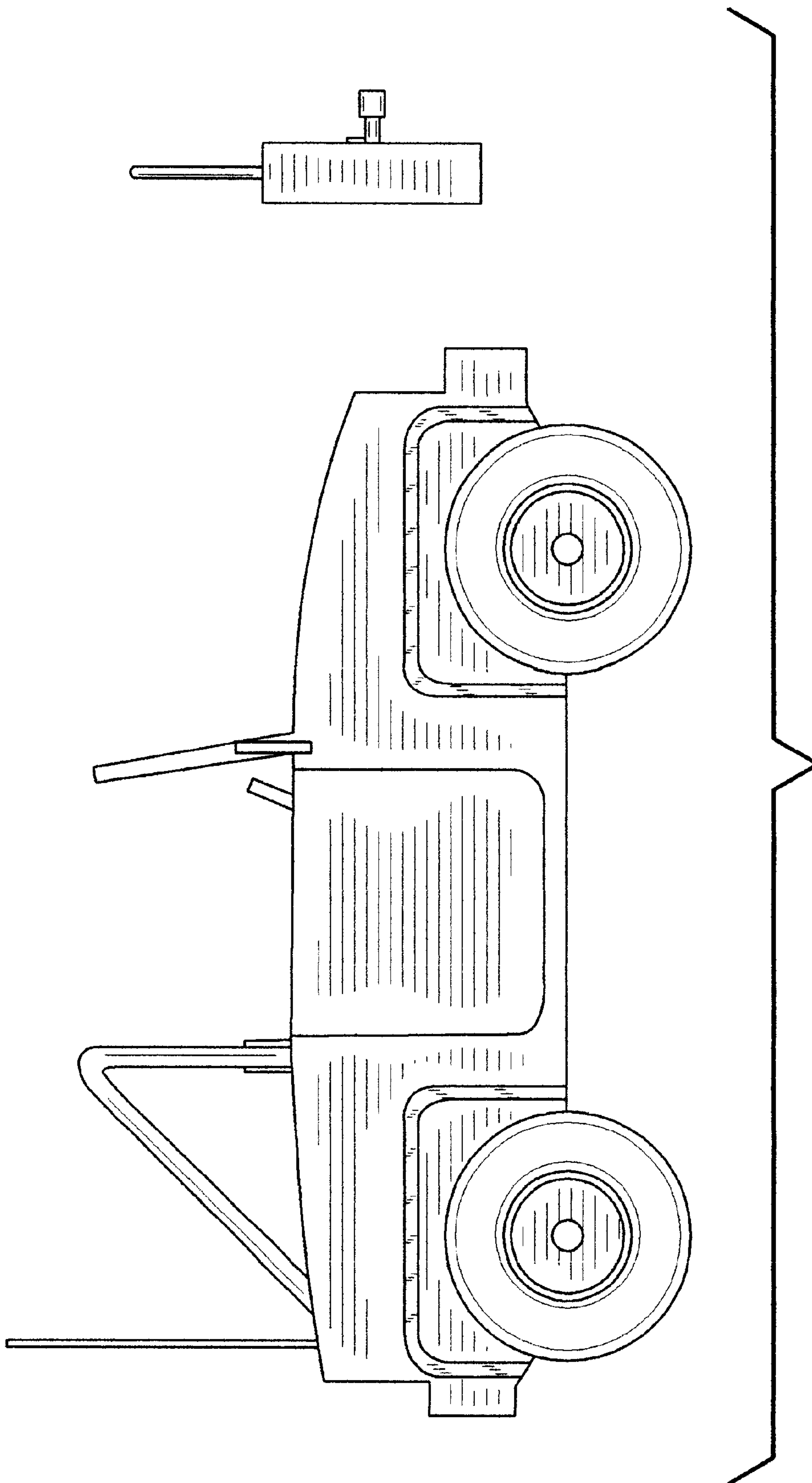


FIG. 3

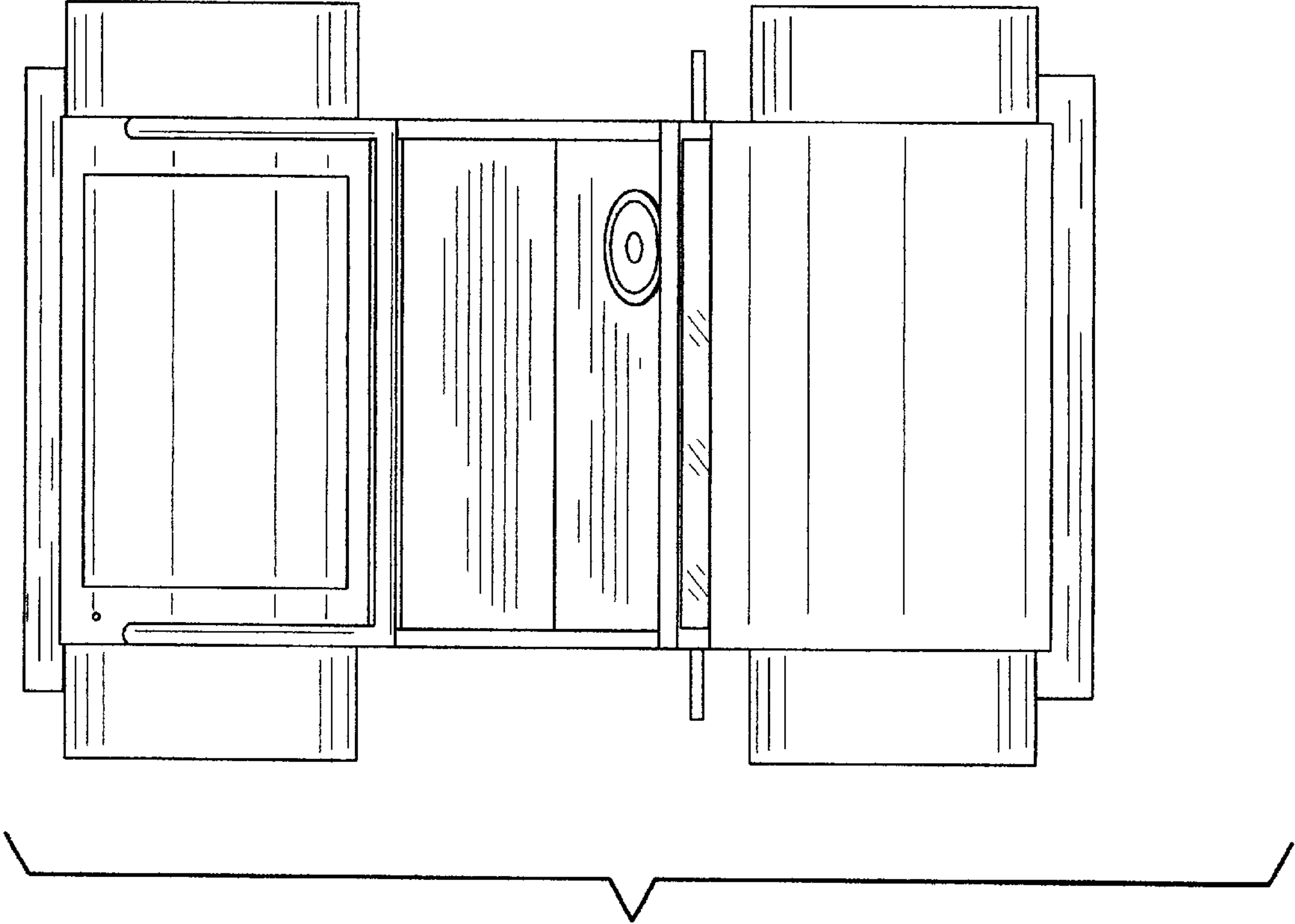


FIG. 4

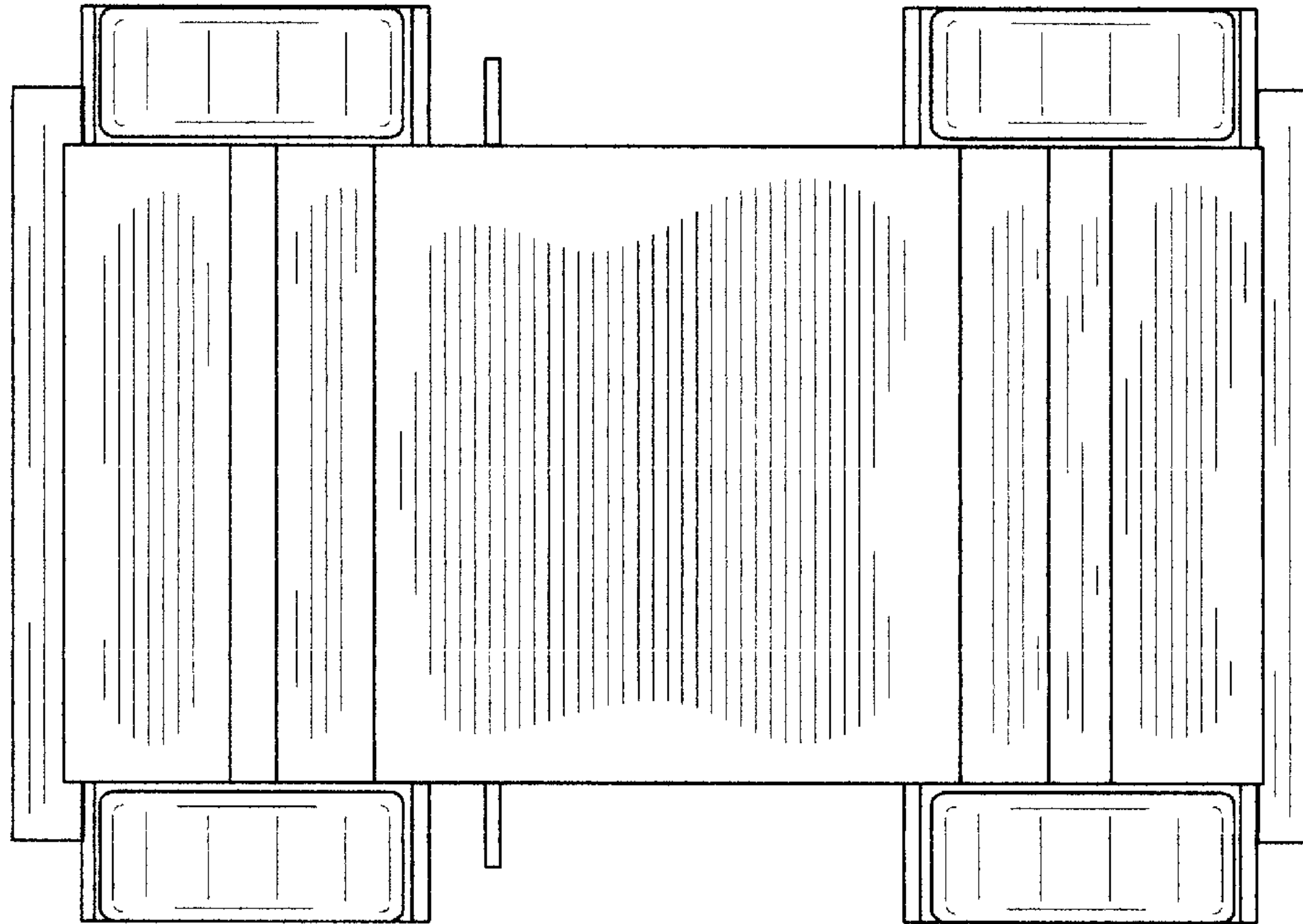
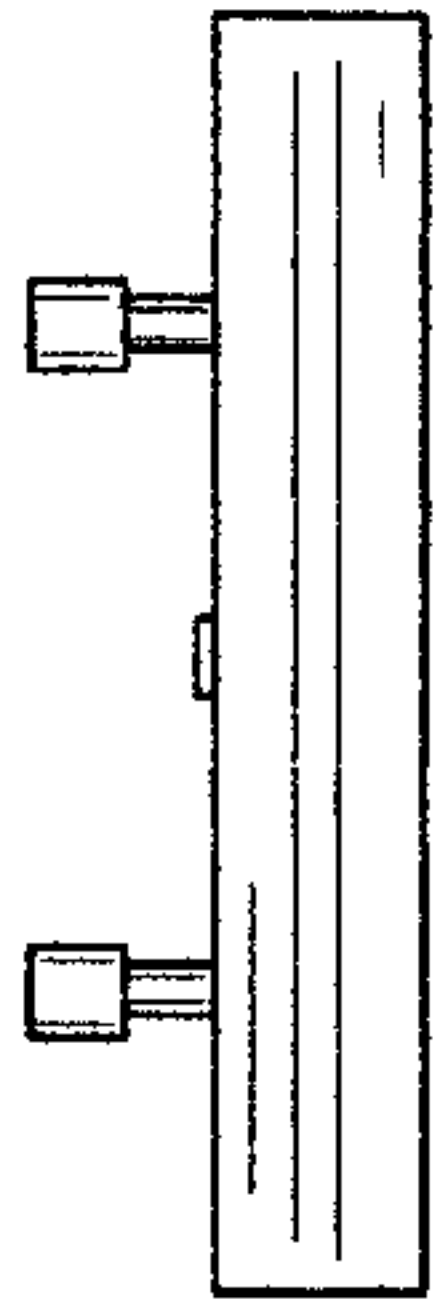


FIG. 5