



US00D523909S

(12) **United States Design Patent**
Cheung

(10) **Patent No.:** **US D523,909 S**

(45) **Date of Patent:** **** Jun. 27, 2006**

(54) **BATTERY POWERED TOY HORSESHOE
MAGNET**

(75) **Inventor:** **Kwan S. Cheung**, So. San Francisco,
CA (US)

(73) **Assignee:** **Huntar, Inc.**, So. San Francisco, CA
(US)

(**) **Term:** **14 Years**

(21) **Appl. No.:** **29/215,498**

(22) **Filed:** **Oct. 19, 2004**

(51) **LOC (8) Cl.** **21-01**

(52) **U.S. Cl.** **D21/387**

(58) **Field of Classification Search** D21/385-387,
D21/404; 273/427; 446/130; 473/570, 591
See application file for complete search history.

(56) **References Cited**

U.S. PATENT DOCUMENTS

1,646,627 A * 10/1927 Mossman et al. 473/591
2,079,736 A * 5/1937 Frazier 473/591

D213,009 S * 12/1968 Martz D21/387

D273,206 S * 3/1984 Sahler D21/404

D288,575 S * 3/1987 Donoho D21/387

5,317,489 A * 5/1994 Delli Gatti et al. 473/570

D380,499 S * 7/1997 Kraemer D21/387

* cited by examiner

Primary Examiner—Shanda L. Morris

(74) *Attorney, Agent, or Firm*—The Kline Law Firm

(57) **CLAIM**

The ornamental design for a battery powered toy horseshoe magnet, as shown and described.

DESCRIPTION

FIG. 1 is a perspective view of the battery powered toy horseshoe magnet design of the present invention.

FIG. 2 is a left side view of the horseshoe magnet.

FIG. 3 is a right side view of the horseshoe magnet.

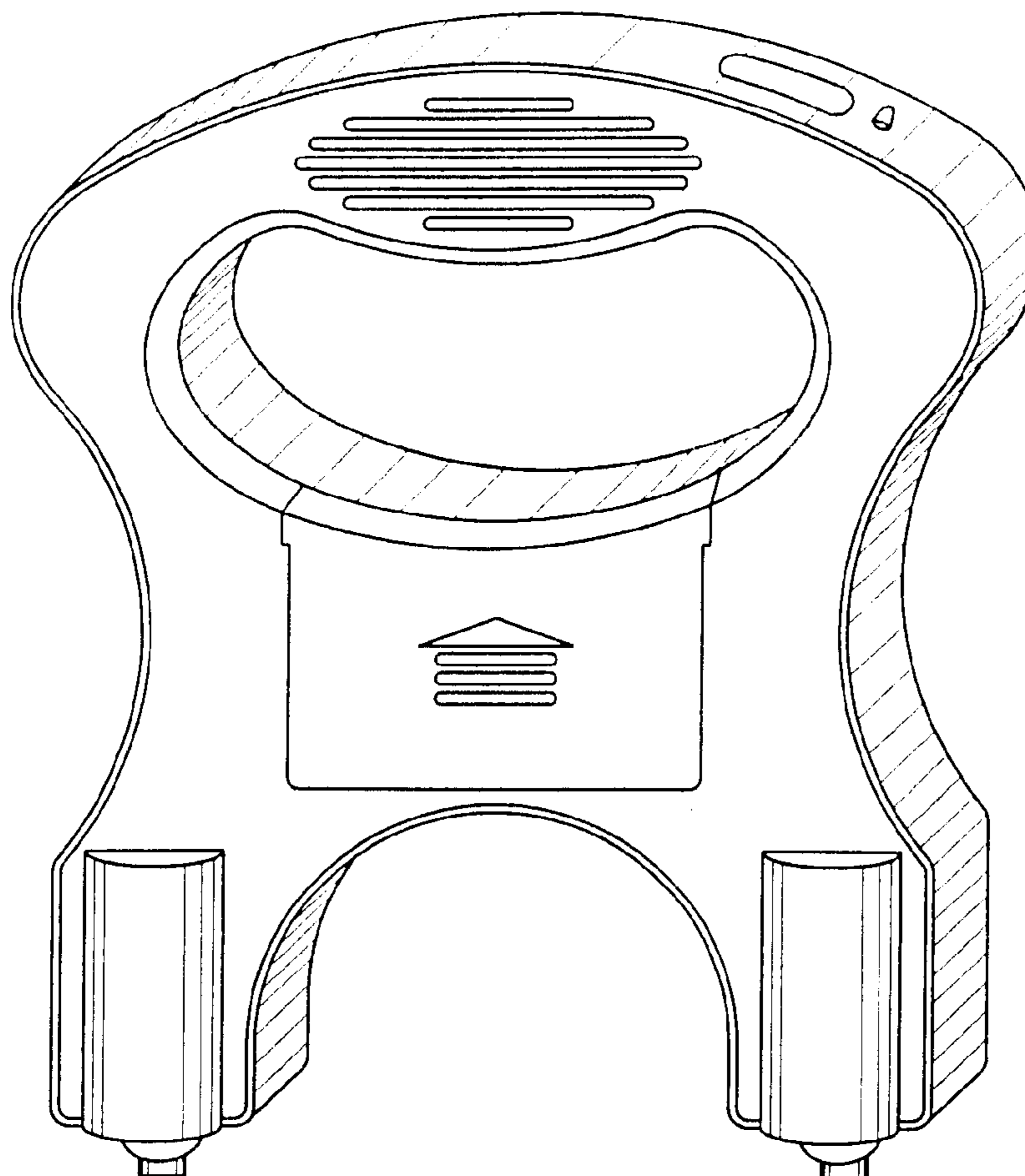
FIG. 4 is a front of the horseshoe magnet.

FIG. 5 is a rear view of the horseshoe magnet.

FIG. 6 is a top view of the horseshoe magnet; and,

FIG. 7 is a bottom side view of the horseshoe magnet.

1 Claim, 3 Drawing Sheets



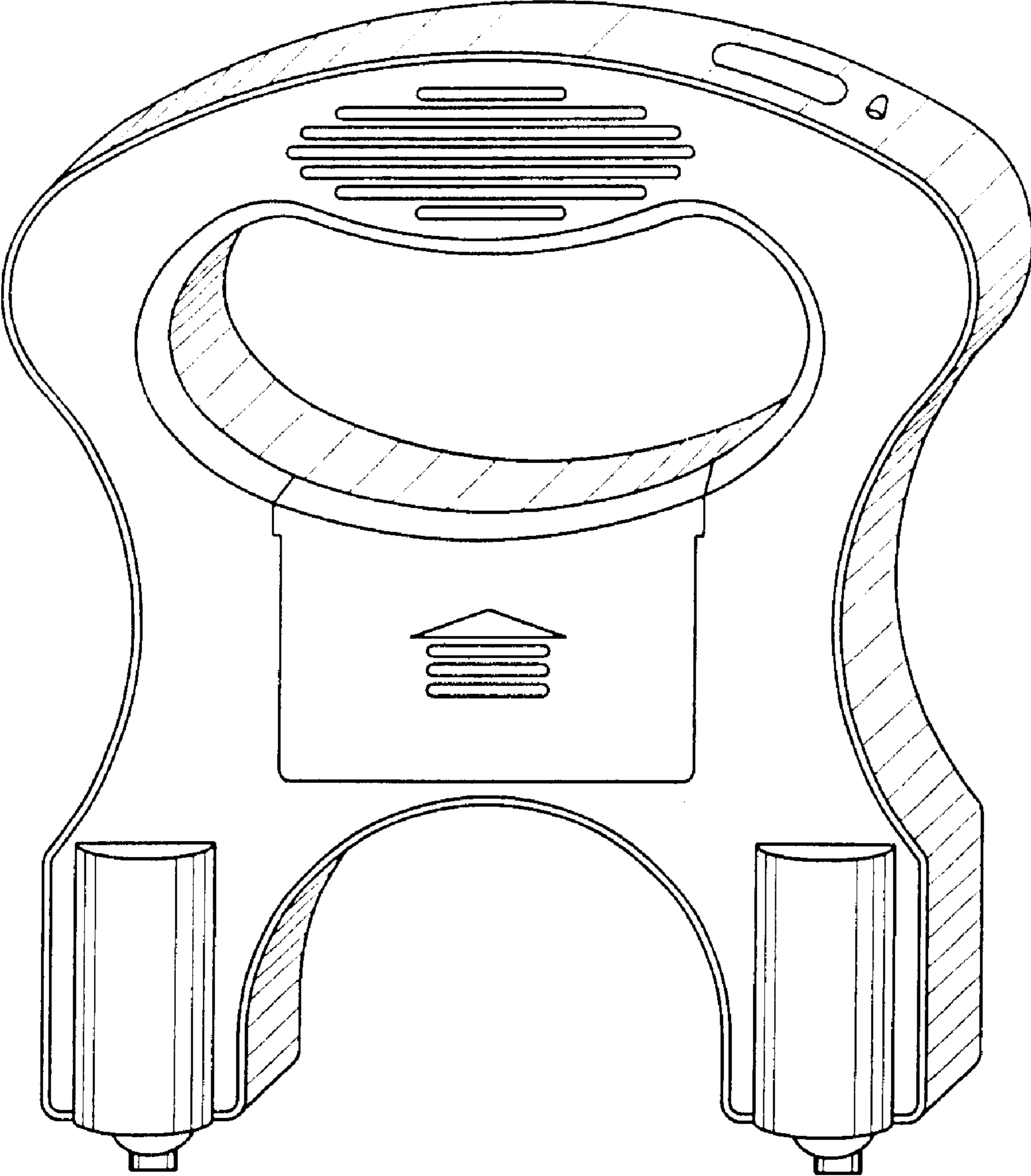


FIG. 1

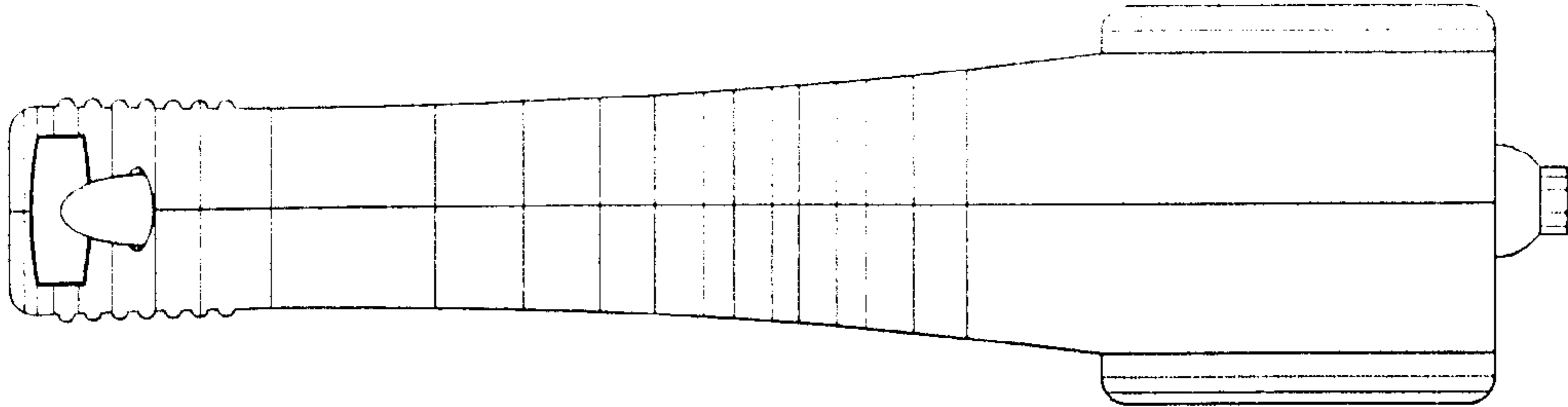


FIG.3

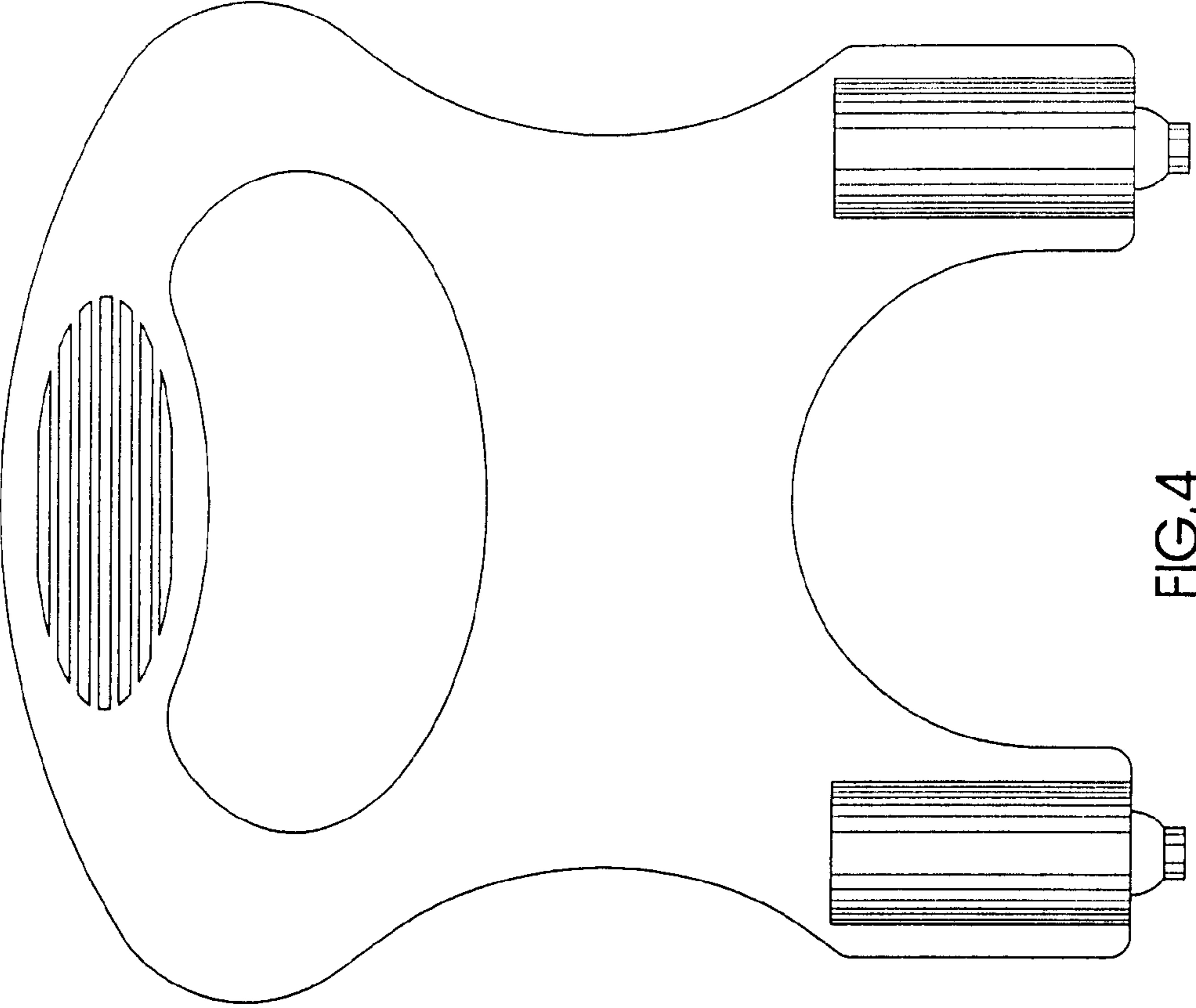


FIG.4

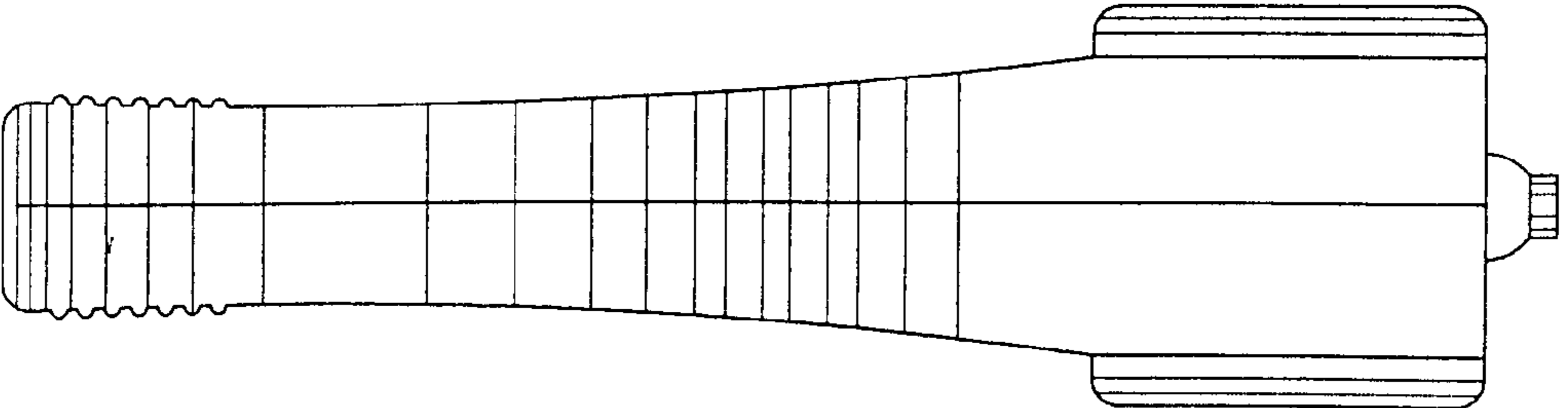


FIG.2

FIG. 6

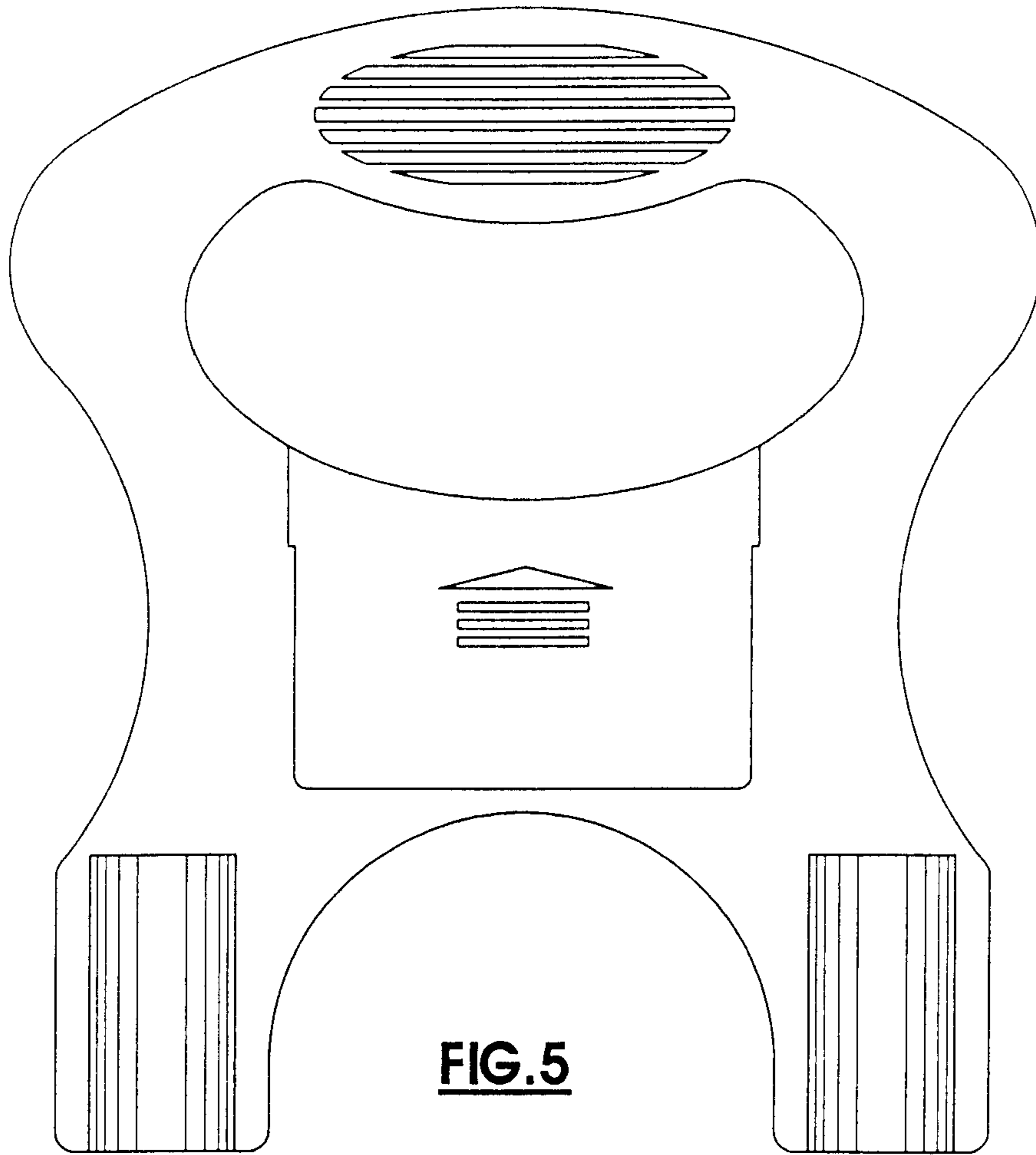
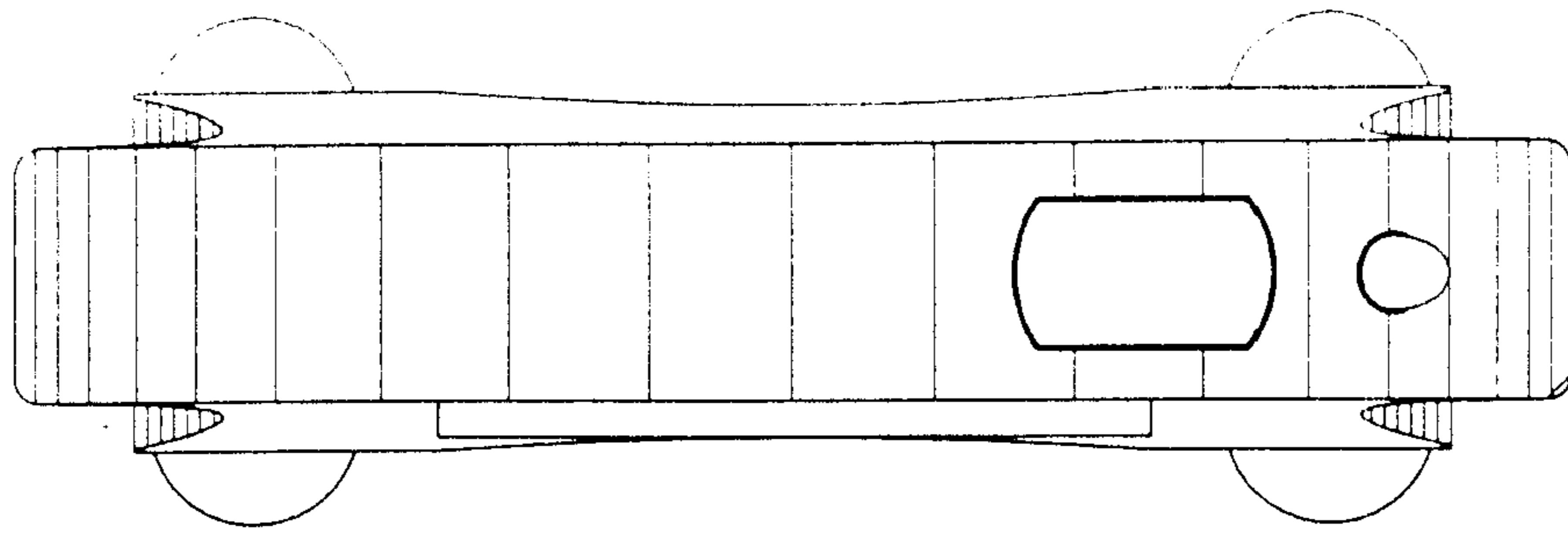


FIG. 5

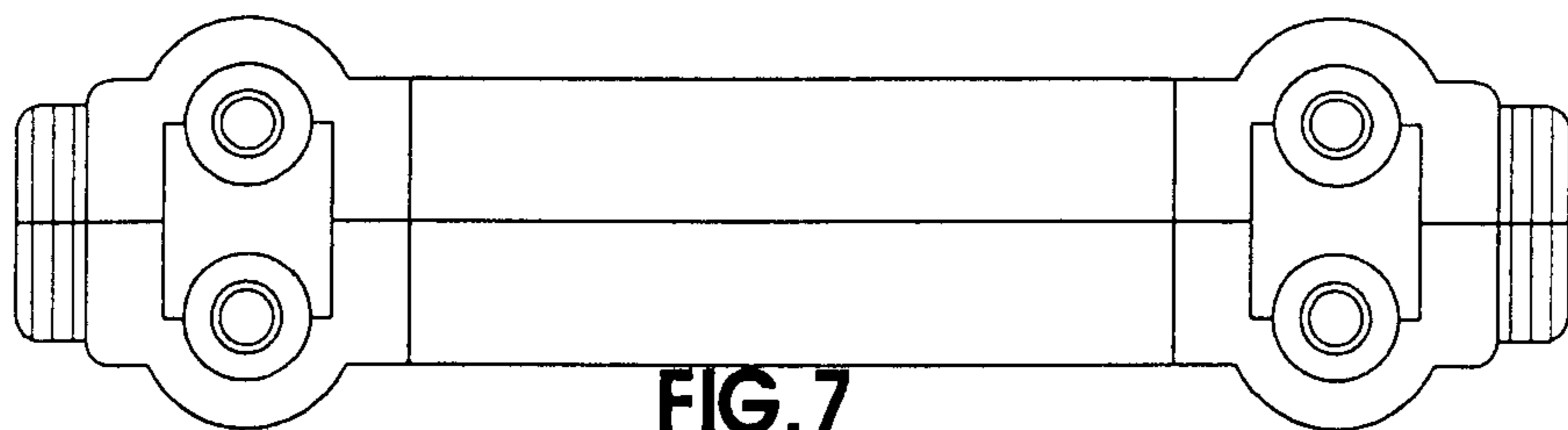


FIG. 7