



US00D523901S

(12) **United States Design Patent**
Walker et al.

(10) **Patent No.:** **US D523,901 S**
(45) **Date of Patent:** **** Jun. 27, 2006**

(54) **STORAGE SYSTEM FOR INDEX CARDS AND THE LIKE**

(75) Inventors: **Dana M. Walker**, Dayton, OH (US);
Edward P. Busam, Mason, OH (US)

(73) Assignee: **MeadWestvaco Corporation**,
Stamford, CT (US)

(**) Term: **14 Years**

(21) Appl. No.: **29/201,643**

(22) Filed: **Mar. 17, 2004**

(51) **LOC (8) Cl.** **19-04**

(52) **U.S. Cl.** **D19/32**

(58) **Field of Classification Search** D19/1,
D19/2, 3, 26, 27, 28, 29, 30, 31, 32, 33, 86;
40/124.06, 359, 405, 530, 536, 537, 661;
229/67.1, 67.2, 67.3, 67.4; 281/2, 3.1, 15.1,
281/19.1, 21.1, 22, 29, 31, 38; D2/836, 840,
D2/857

See application file for complete search history.

(56) **References Cited**

U.S. PATENT DOCUMENTS

D29,593 S	11/1898	Datz	
2,211,420 A *	8/1940	Hausdorff	2/247
2,475,294 A	7/1949	Rafoth	
D196,883 S	11/1963	Robinson	
D265,889 S	8/1982	Lawrence et al.	
D266,770 S *	11/1982	Wihlke	D19/33
D268,190 S *	3/1983	Nast	D6/626
D268,624 S *	4/1983	Taylor	D2/829
5,190,200 A	3/1993	Hammerlund	
D341,918 S *	12/1993	Haywood	D2/857
D353,538 S	12/1994	Jobit	
D381,690 S *	7/1997	Anderson et al.	D19/90
D391,989 S *	3/1998	Plutsky	D19/33
D393,656 S *	4/1998	Bear et al.	D19/26
D396,135 S *	7/1998	Wardle	D2/857
D402,554 S	12/1998	Batchelor	
5,996,797 A	12/1999	Flaig	
6,241,285 B1 *	6/2001	Duhr-Kravitz et al.	281/29

6,523,858 B1 *	2/2003	Takemura	281/29
D479,464 S	9/2003	Kopecky	
D484,046 S	12/2003	Kopecky	
2002/0121775 A1 *	9/2002	Sperry	281/22
2005/0173500 A1 *	8/2005	Kranz	229/72

* cited by examiner

Primary Examiner—Janice E. Seeger

Assistant Examiner—Elizabeth Albert

(74) *Attorney, Agent, or Firm*—Thompson Hine LLP

(57) **CLAIM**

The ornamental design for a storage system for index cards and the like, as shown and described.

DESCRIPTION

FIG. 1 is a top view of one embodiment of the storage system of the present invention with the flaps closed and wherein the storage system is made of a transparent material;

FIG. 2 is a top view of the storage system of FIG. 1, with the flaps open;

FIG. 3 is a front perspective view of the storage system of FIG. 1 positioned in a notebook;

FIG. 4 is a front perspective view of the storage system of FIG. 3 with the flaps open;

FIG. 5 is a top view of the another embodiment of the storage system of the present invention with the flaps closed and wherein the storage system is made of an opaque material;

FIG. 6 is a top view of the storage system of FIG. 5, with the flaps open;

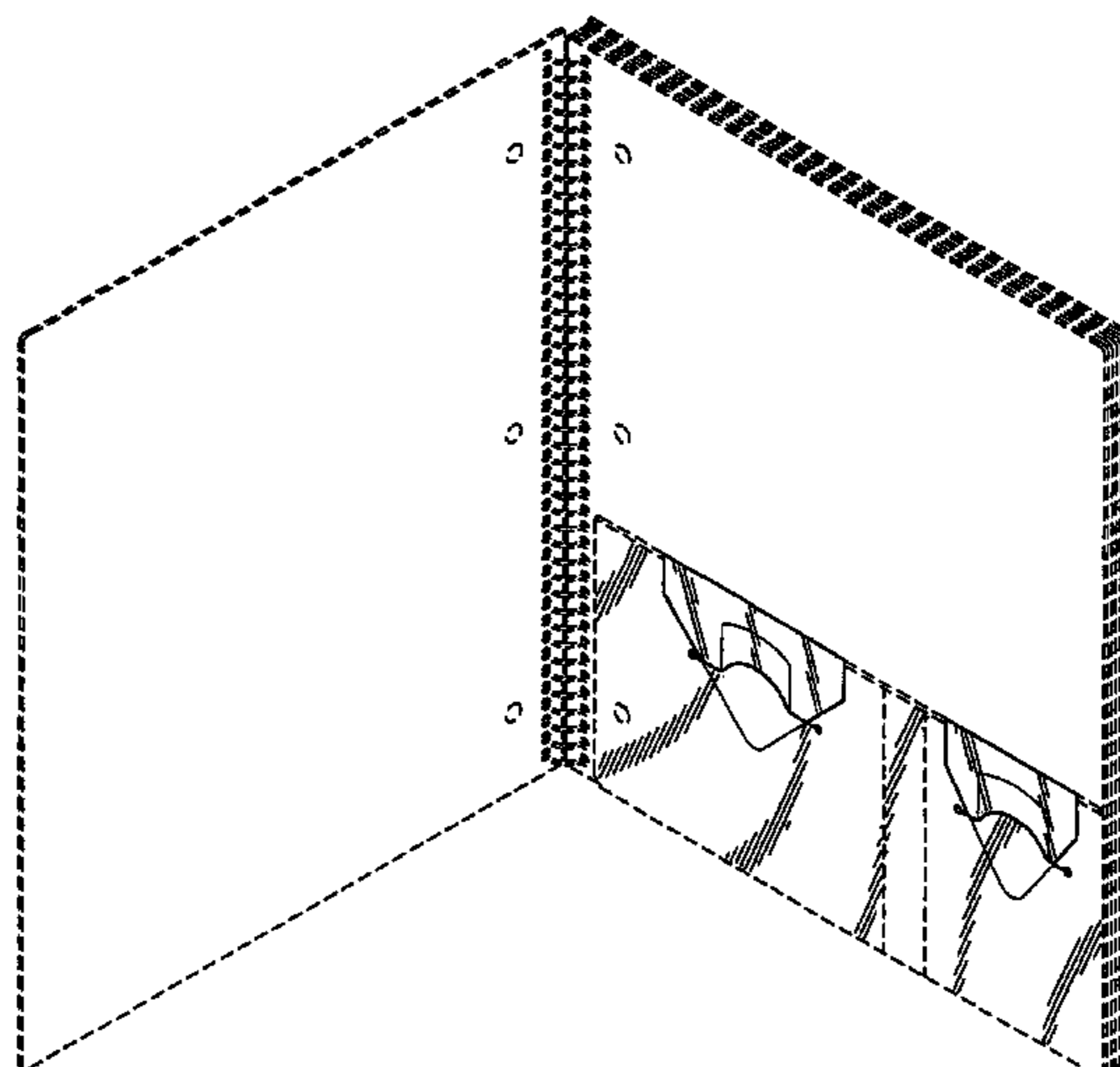
FIG. 7 is a front perspective view of the storage system of FIG. 5 positioned in a notebook; and,

FIG. 8 is a front perspective view of the storage system of FIG. 7 with the flaps open.

The broken lines are for environmental purposes only and do not represent any part of the claimed design.

The remaining views of the storage system for index cards and the like are merely duplicative of other views or are flat and include no ornamentation.

1 Claim, 8 Drawing Sheets



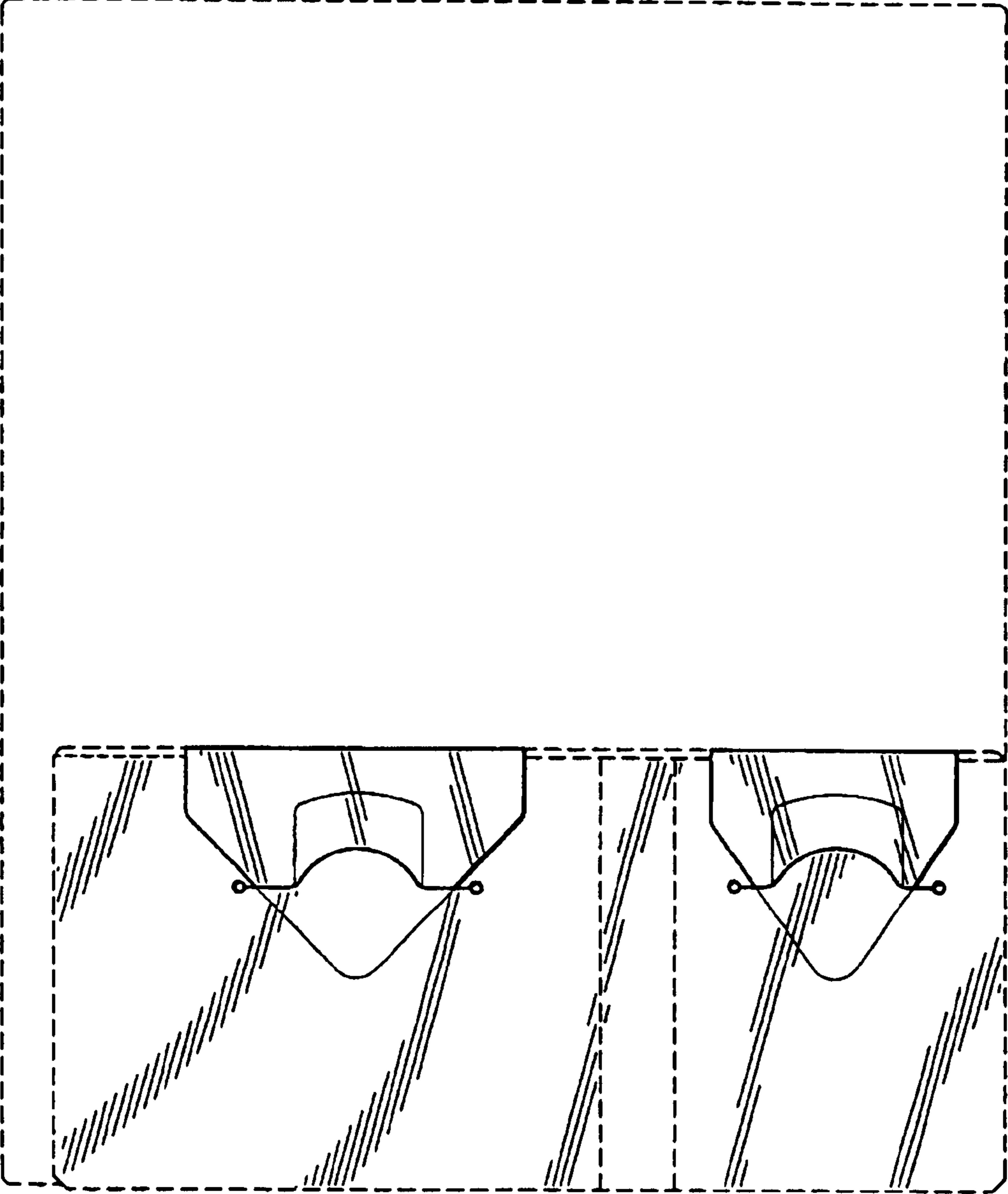


FIG. 1

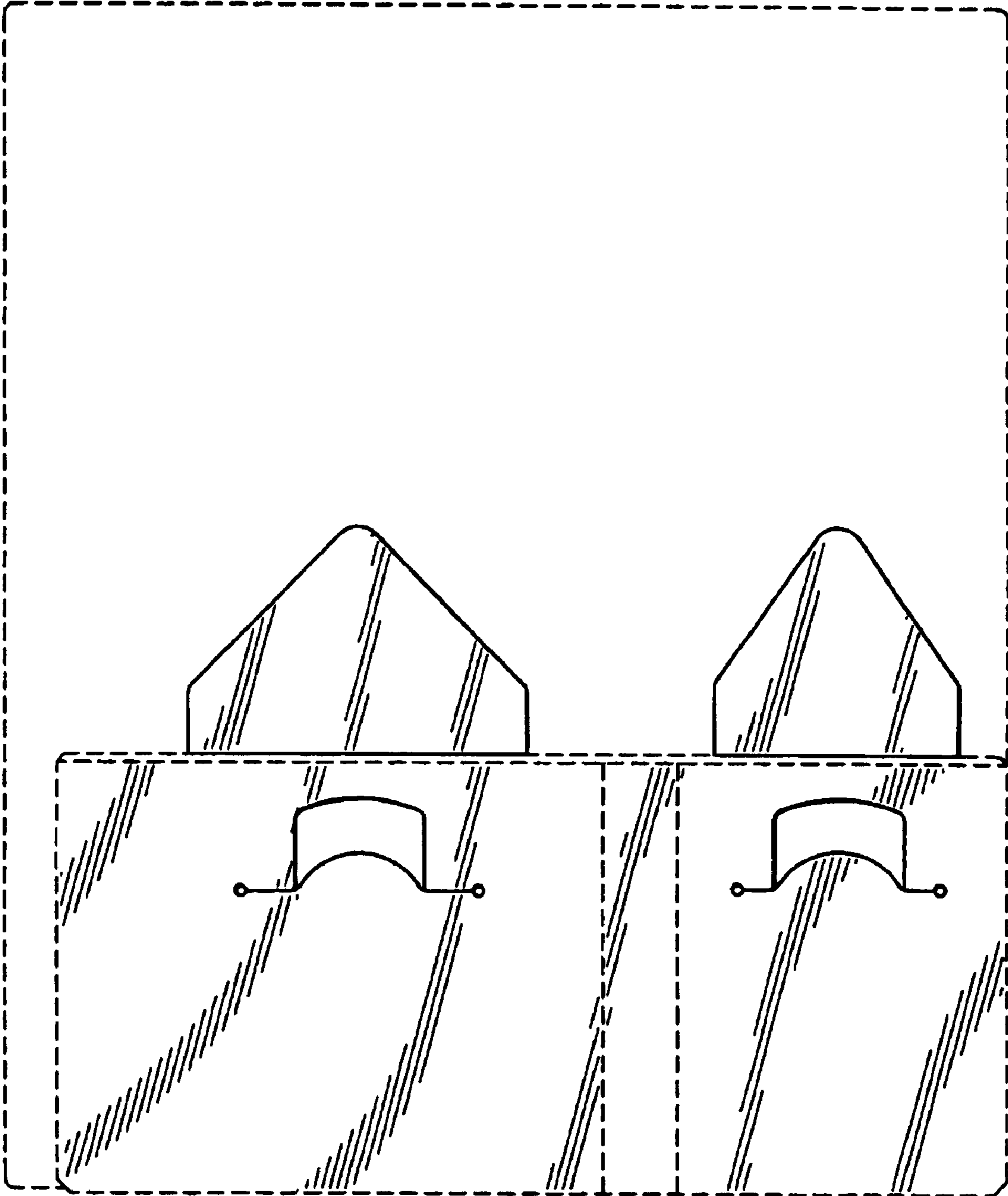


FIG. 2

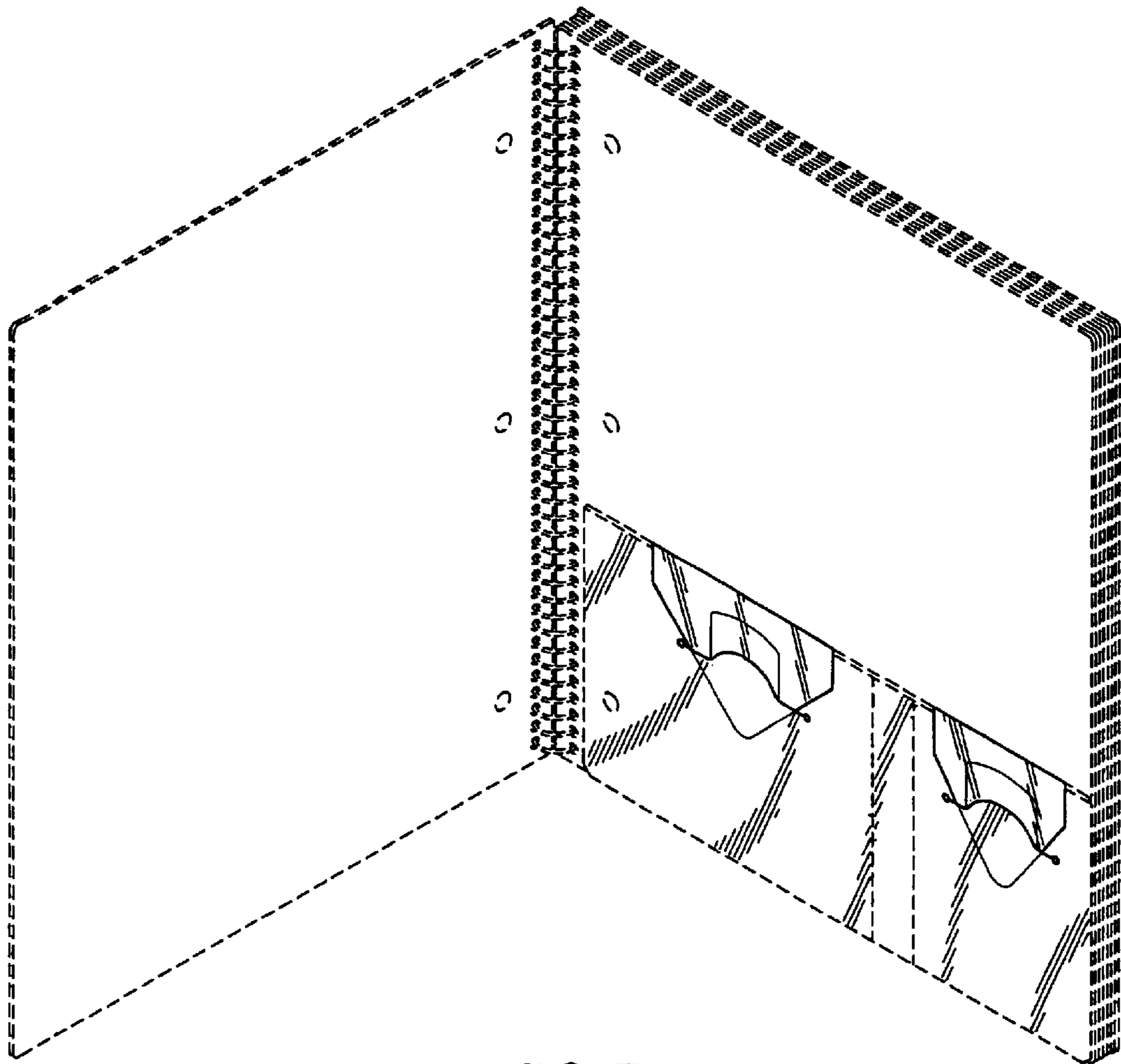


FIG. 3

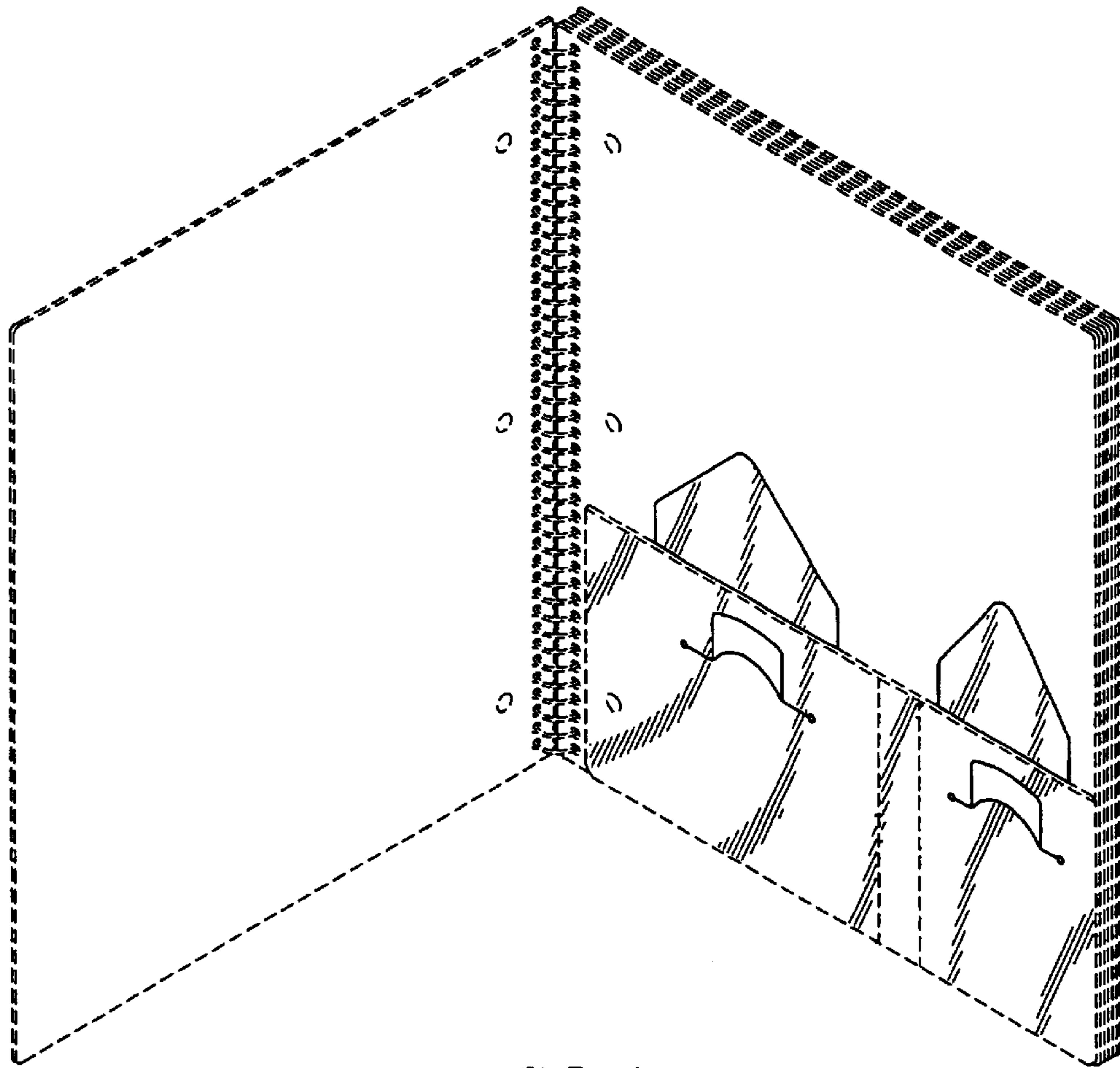


FIG. 4

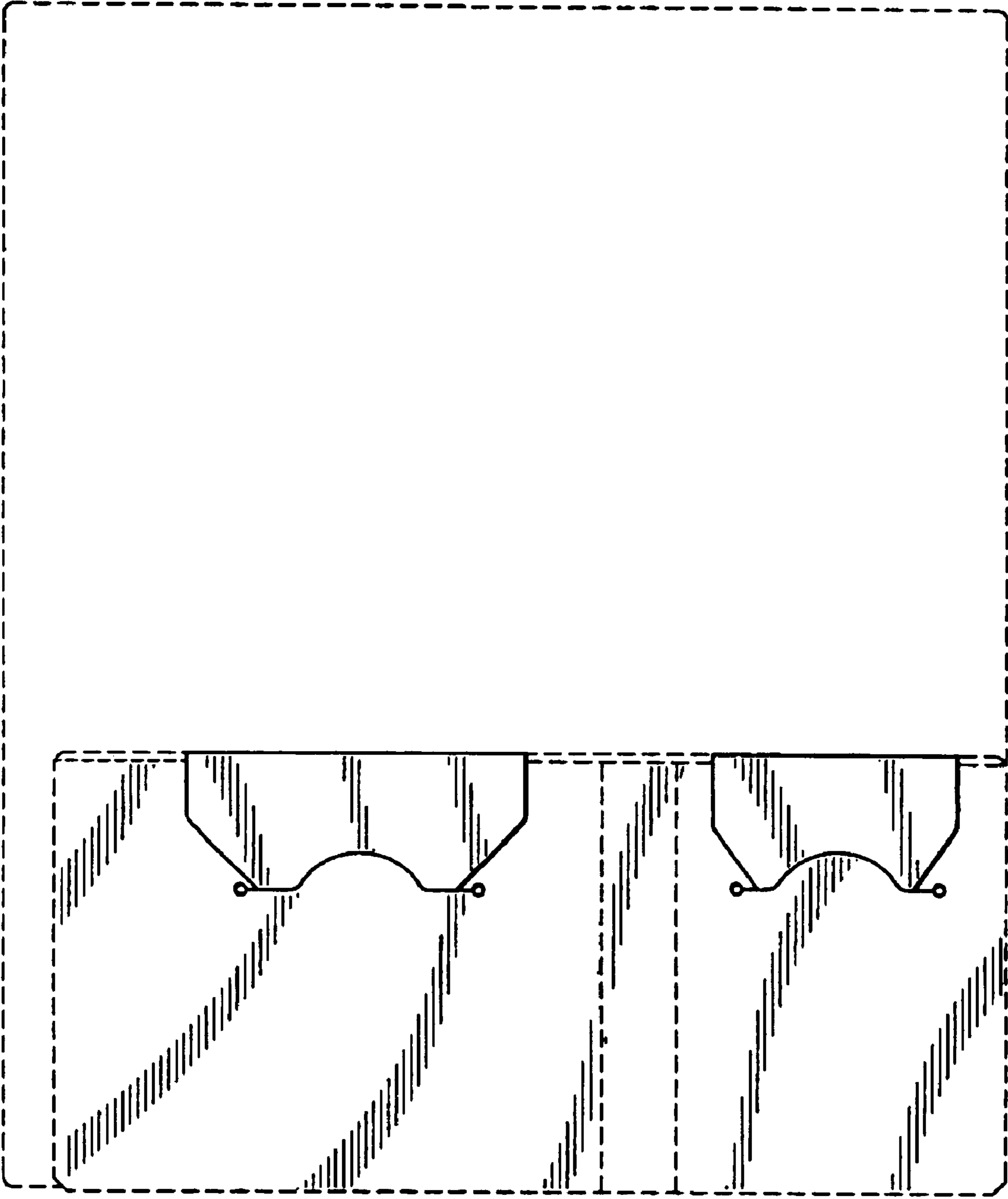


FIG. 5

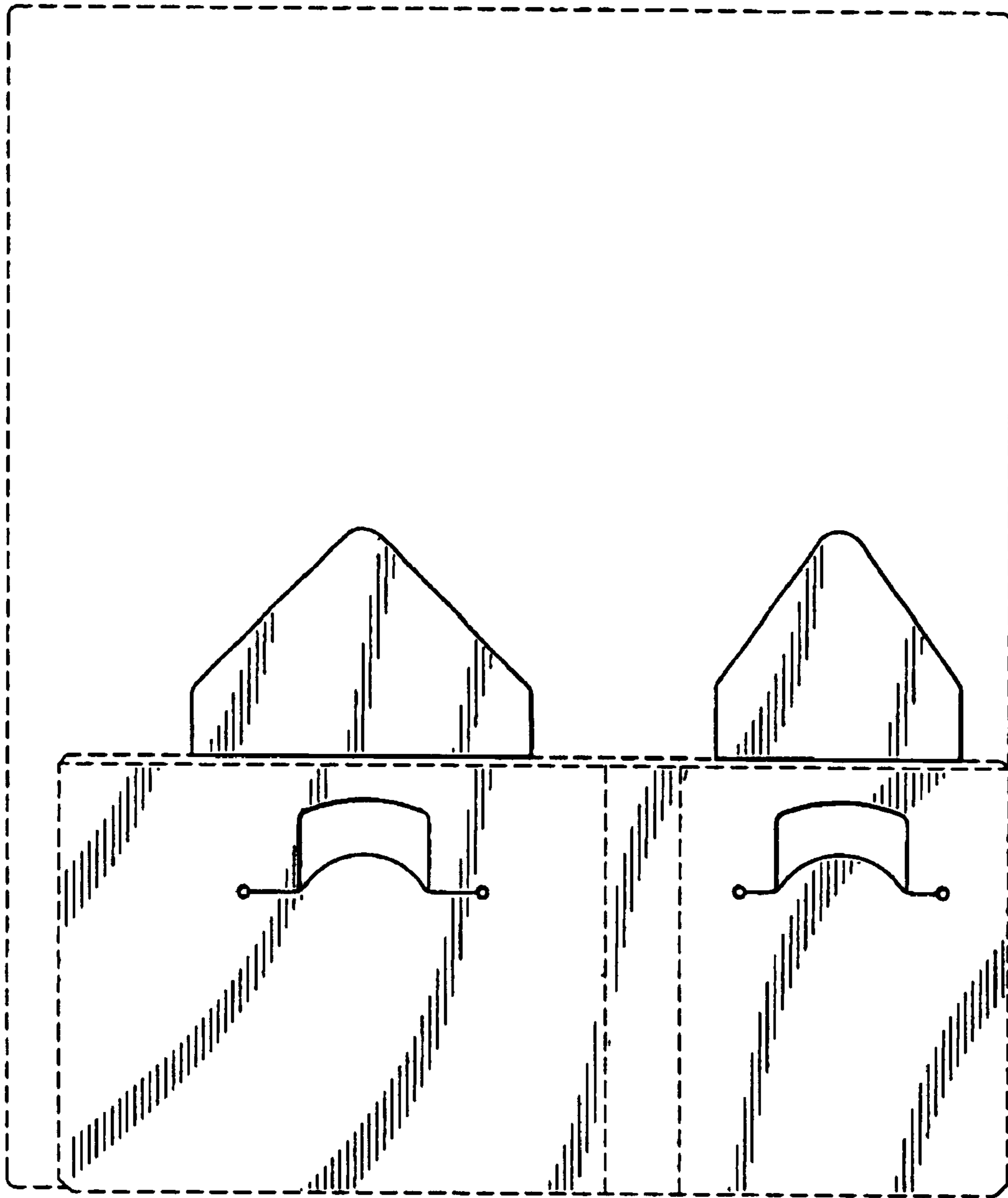


FIG. 6

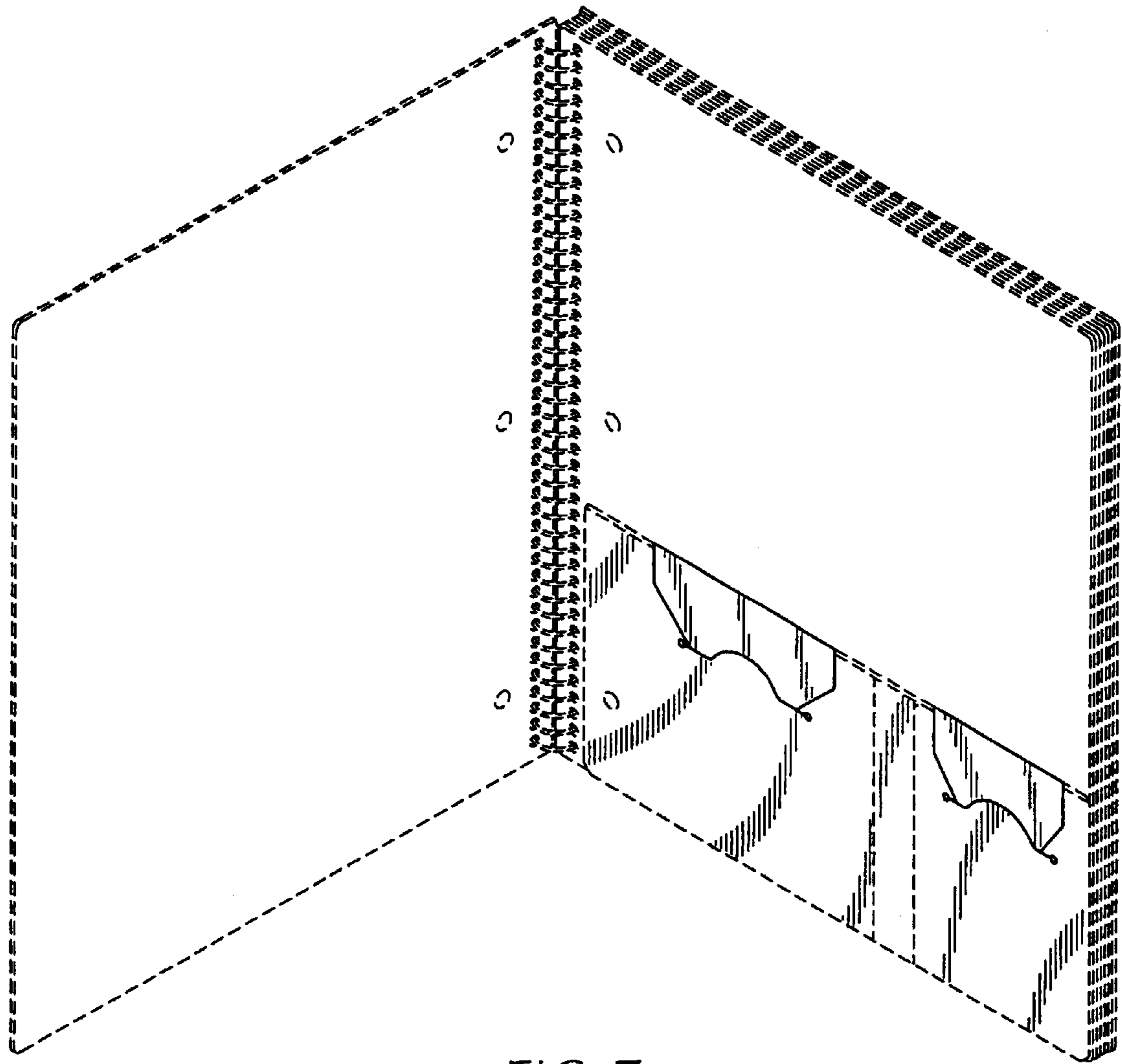


FIG. 7

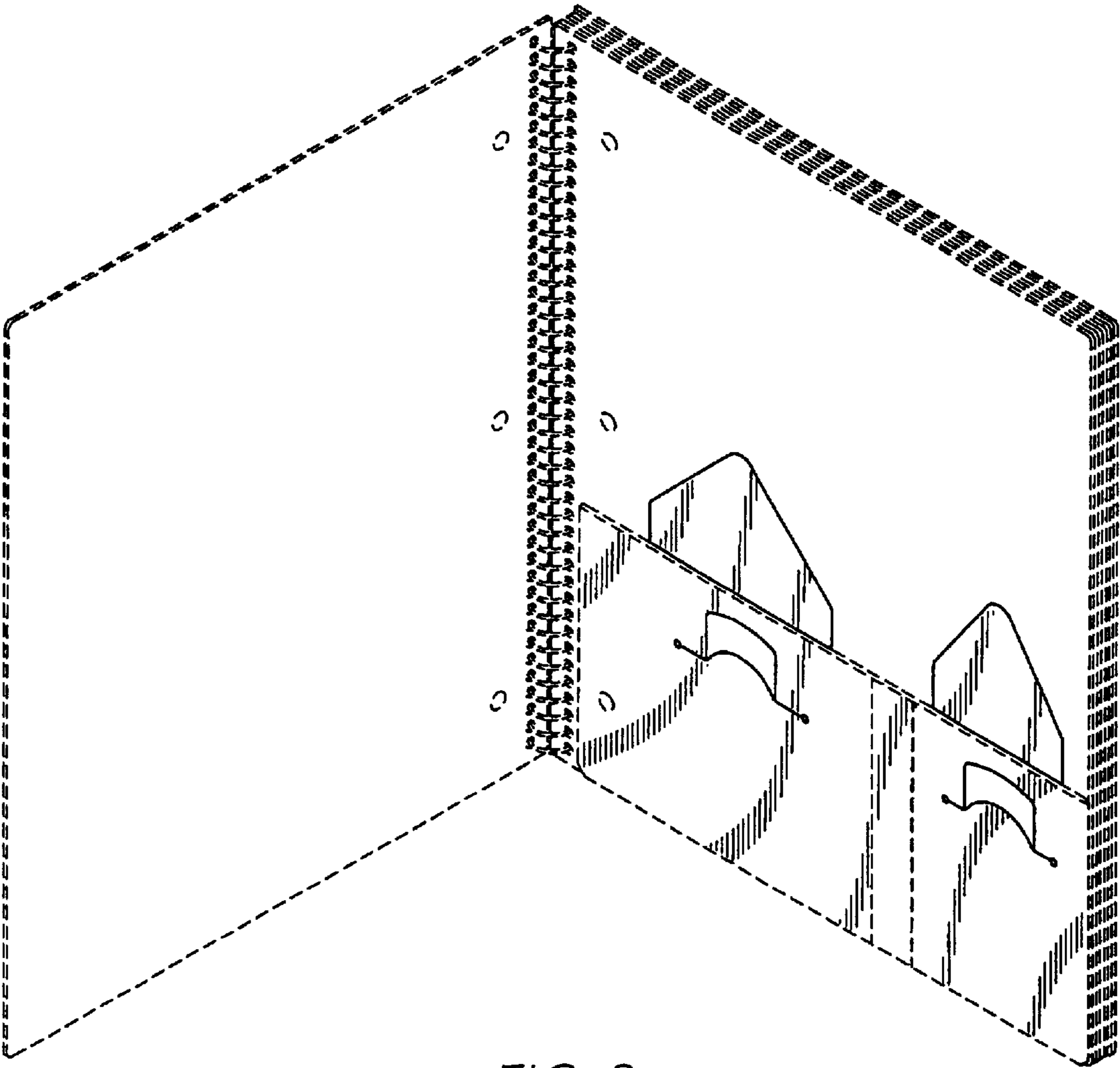


FIG. 8