



US00D523895S

(12) **United States Design Patent**  
**Ishii et al.**

(10) **Patent No.:** **US D523,895 S**  
(45) **Date of Patent:** **\*\* Jun. 27, 2006**

(54) **PHOTOSENSITIVE DRUM UNIT**

2005/0220482 A1 \* 10/2005 Ishii ..... 399/111

(75) Inventors: **Makoto Ishii**, Nagoya (JP); **Fumio Morita**, Kisogawa-cho (JP); **Fumikazu Sato**, Inuyama (JP)

OTHER PUBLICATIONS

U.S. Appl. No. 29/199,281, filed Feb. 12, 2004, Ishii et al.  
U.S. Appl. No. 29/199,334, filed Feb. 12, 2004, Ishii et al.

(73) Assignee: **Brother Industries, Ltd.**, Nagoya (JP)

\* cited by examiner

(\*\*) Term: **14 Years**

*Primary Examiner*—Caron D. Veynar  
*Assistant Examiner*—Garth Rademaker

(21) Appl. No.: **29/222,103**

(74) *Attorney, Agent, or Firm*—Oliff & Berridge, PLC

(22) Filed: **Jan. 27, 2005**

(57) **CLAIM**

(30) **Foreign Application Priority Data**

The ornamental design for a photosensitive drum unit, as shown and described.

Aug. 13, 2004 (JP) ..... 2004-024397

**DESCRIPTION**

(51) **LOC (8) Cl.** ..... **16-03**

(52) **U.S. Cl.** ..... **D18/43**

(58) **Field of Classification Search** ..... D18/12,  
D18/36, 40, 43, 44, 56; D14/462, 469-471;  
222/DIG. 1; 347/197, 222; 399/24-28, 107-112,  
399/119, 121, 122, 222-224; 400/207, 208  
See application file for complete search history.

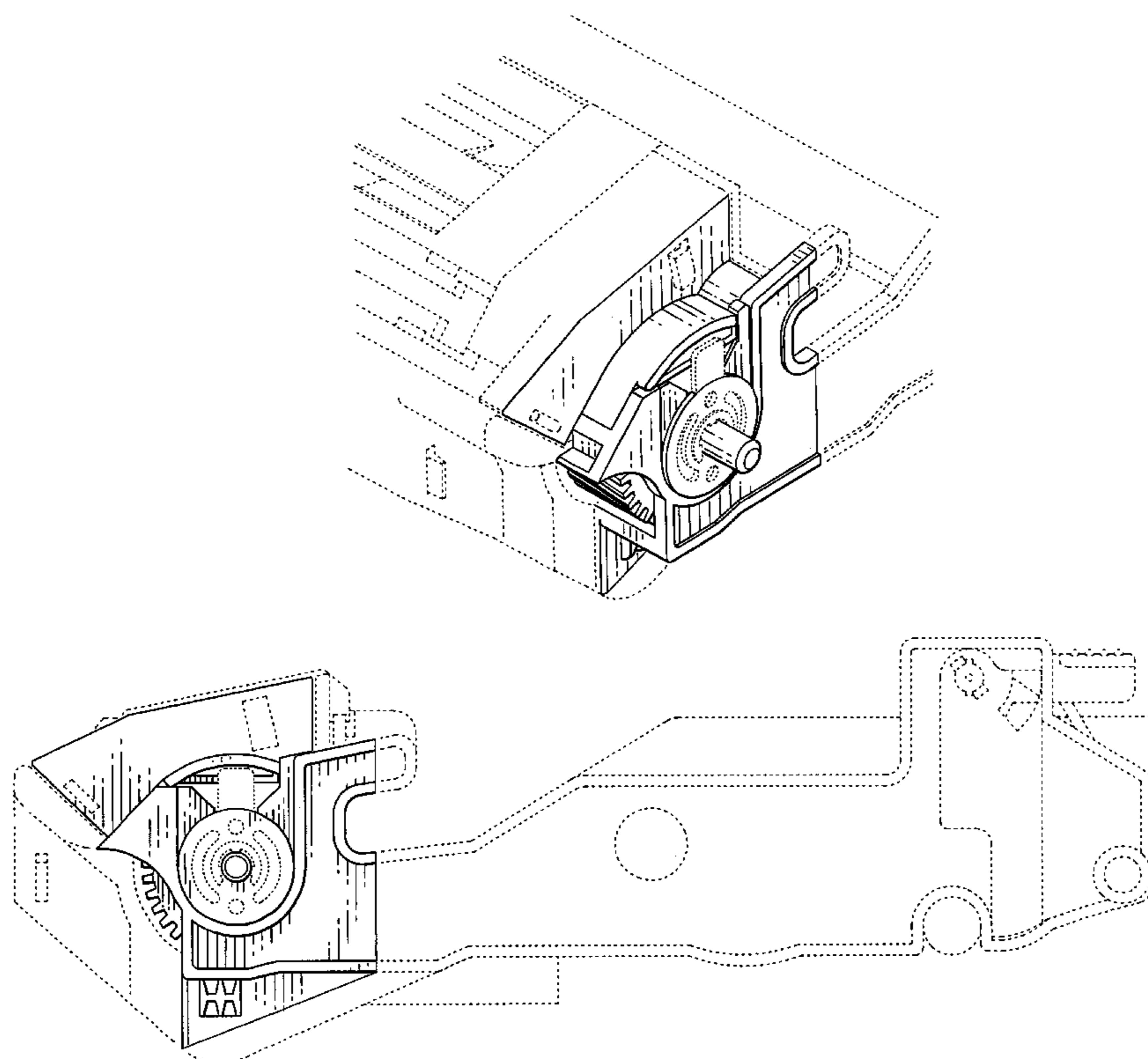
FIG. 1 is a perspective view of a photosensitive drum unit;  
FIG. 2 is an enlarged partial perspective view of FIG. 1;  
FIG. 3 is a front view thereof;  
FIG. 4 is a top view thereof;  
FIG. 5 is a left-side view thereof;  
FIG. 6 is an enlarged left-side view of FIG. 5;  
FIG. 7 is a rear view thereof;  
FIG. 8 is bottom view thereof;  
FIG. 9 is an enlarged partial top view of FIG. 4 ;  
FIG. 10 is an enlarged partial rear view of FIG. 7; and,  
FIG. 11 is an enlarged partial bottom view of FIG. 8.  
The broken line showing is for illustrative purposes only and forms no part of the claimed design.

(56) **References Cited**

U.S. PATENT DOCUMENTS

4,714,337 A \* 12/1987 Nishino et al. .... 399/111  
D423,559 S 4/2000 Suzuki et al.  
D447,511 S 9/2001 Kimura et al.  
6,408,142 B1 \* 6/2002 Takeuchi et al. .... 399/27  
D471,583 S 3/2003 Okabe et al.  
2002/0159779 A1 \* 10/2002 Morioka et al. .... 399/27

**1 Claim, 11 Drawing Sheets**



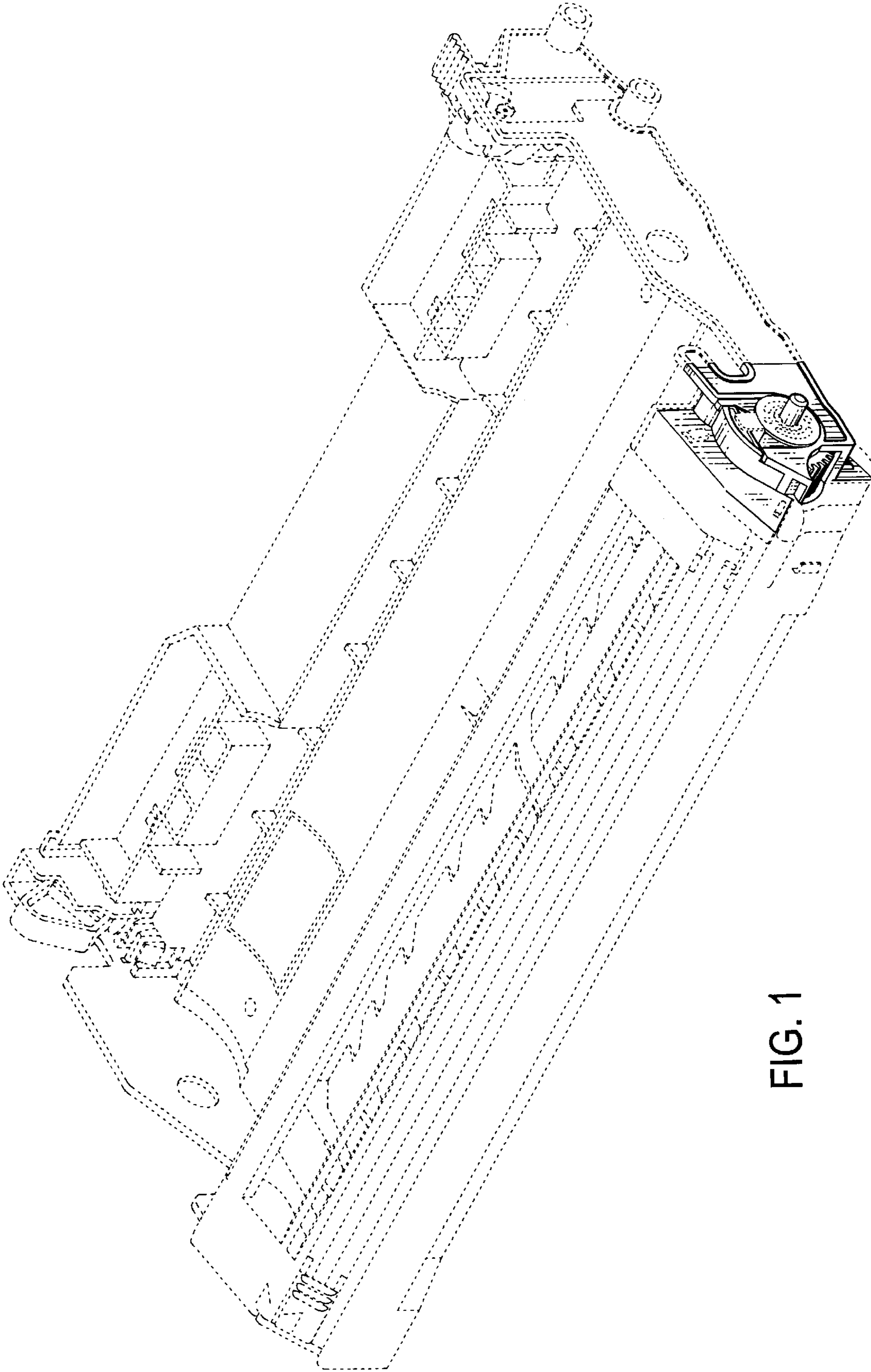


FIG. 1

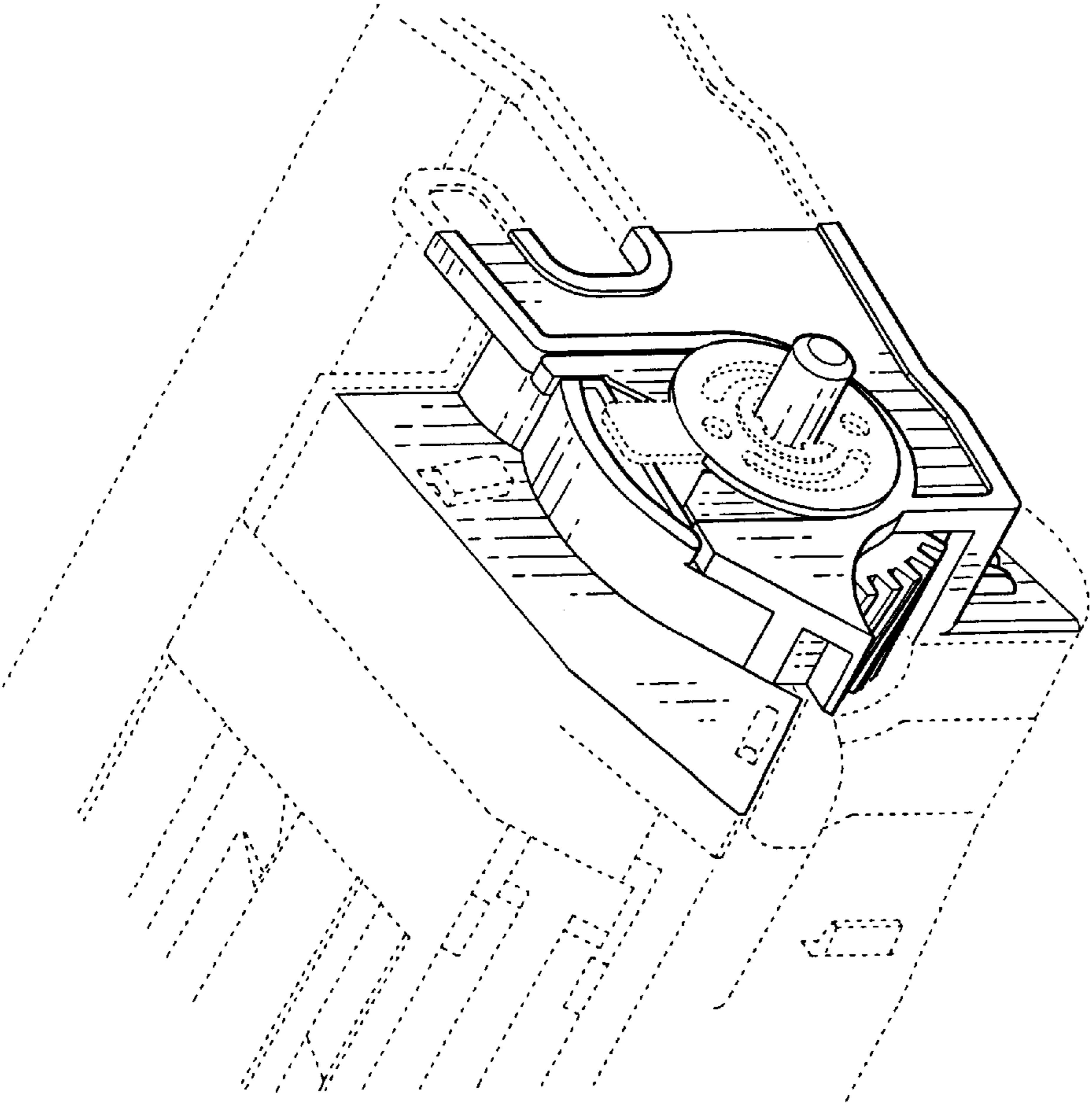


FIG. 2

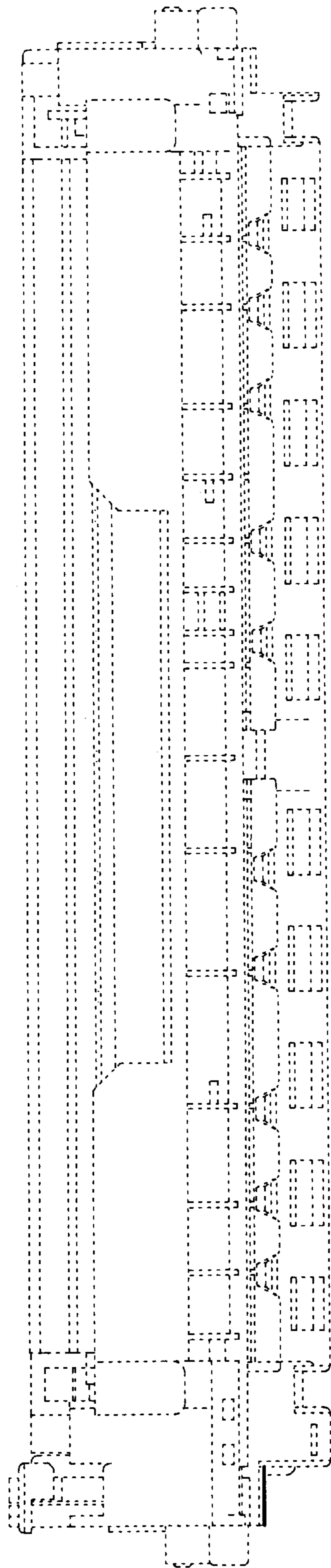


FIG. 3

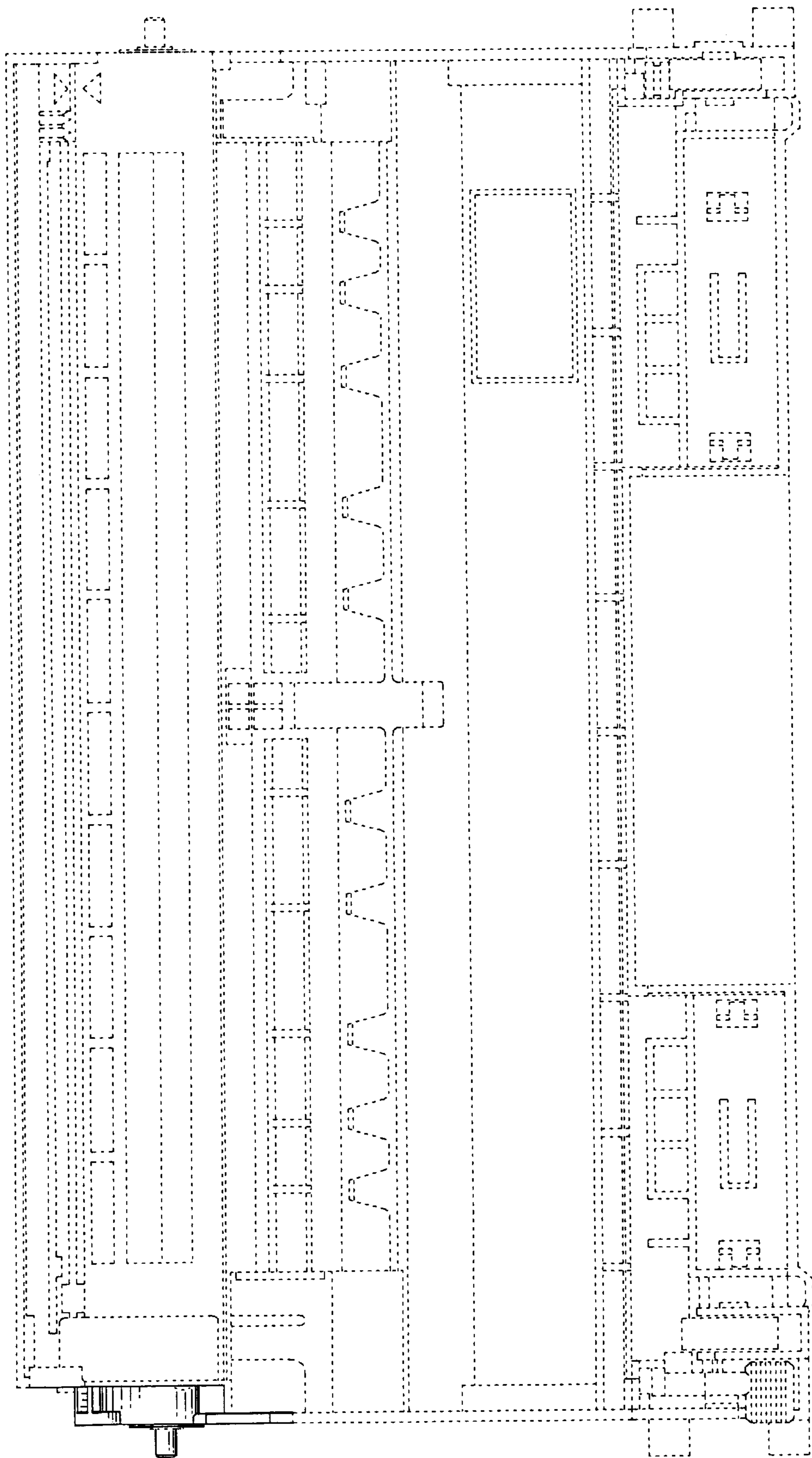


FIG. 4

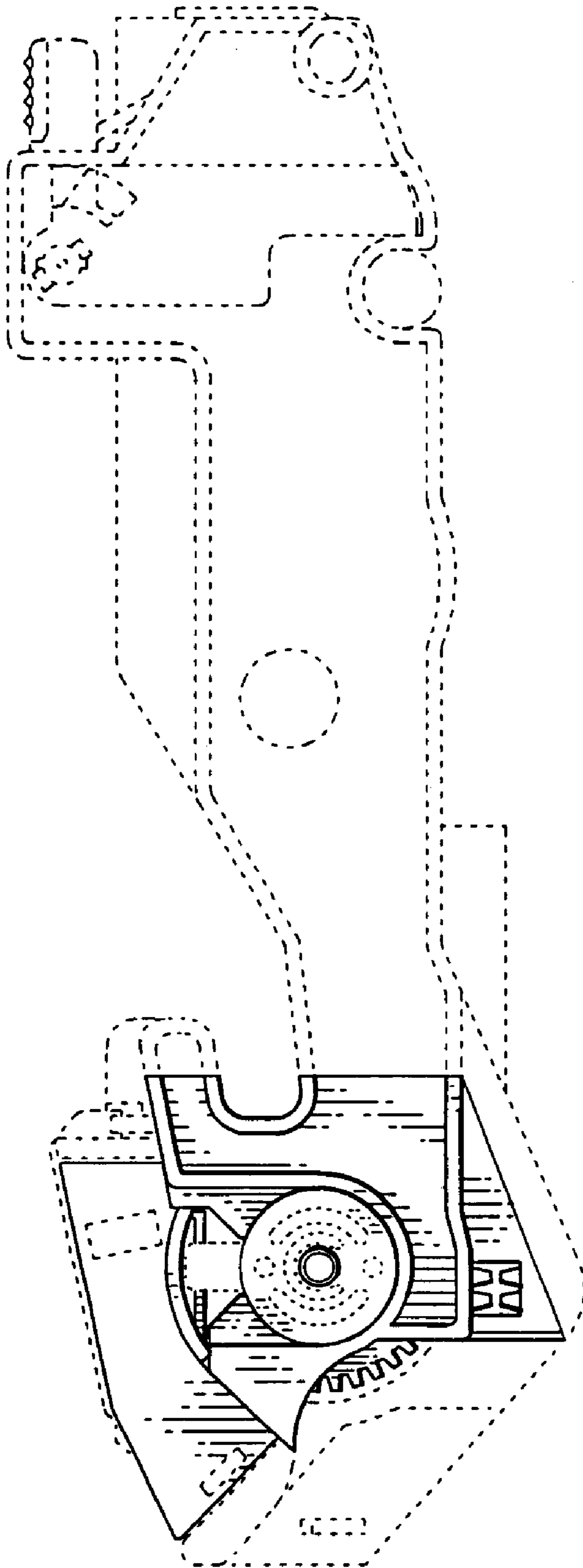


FIG. 5

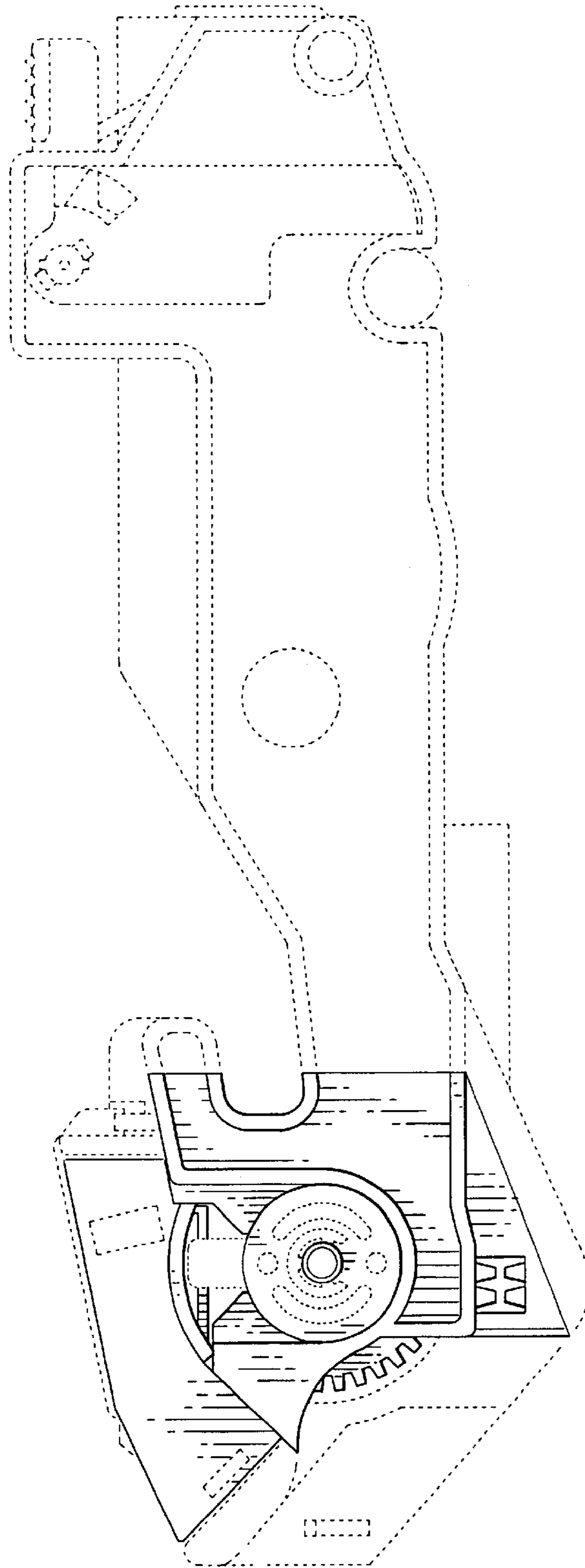


FIG. 6

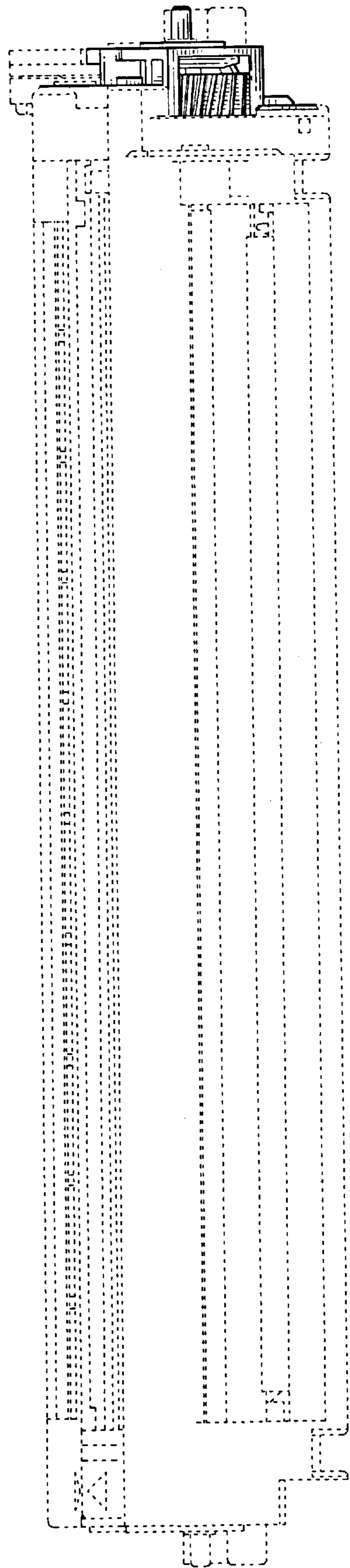


FIG. 7



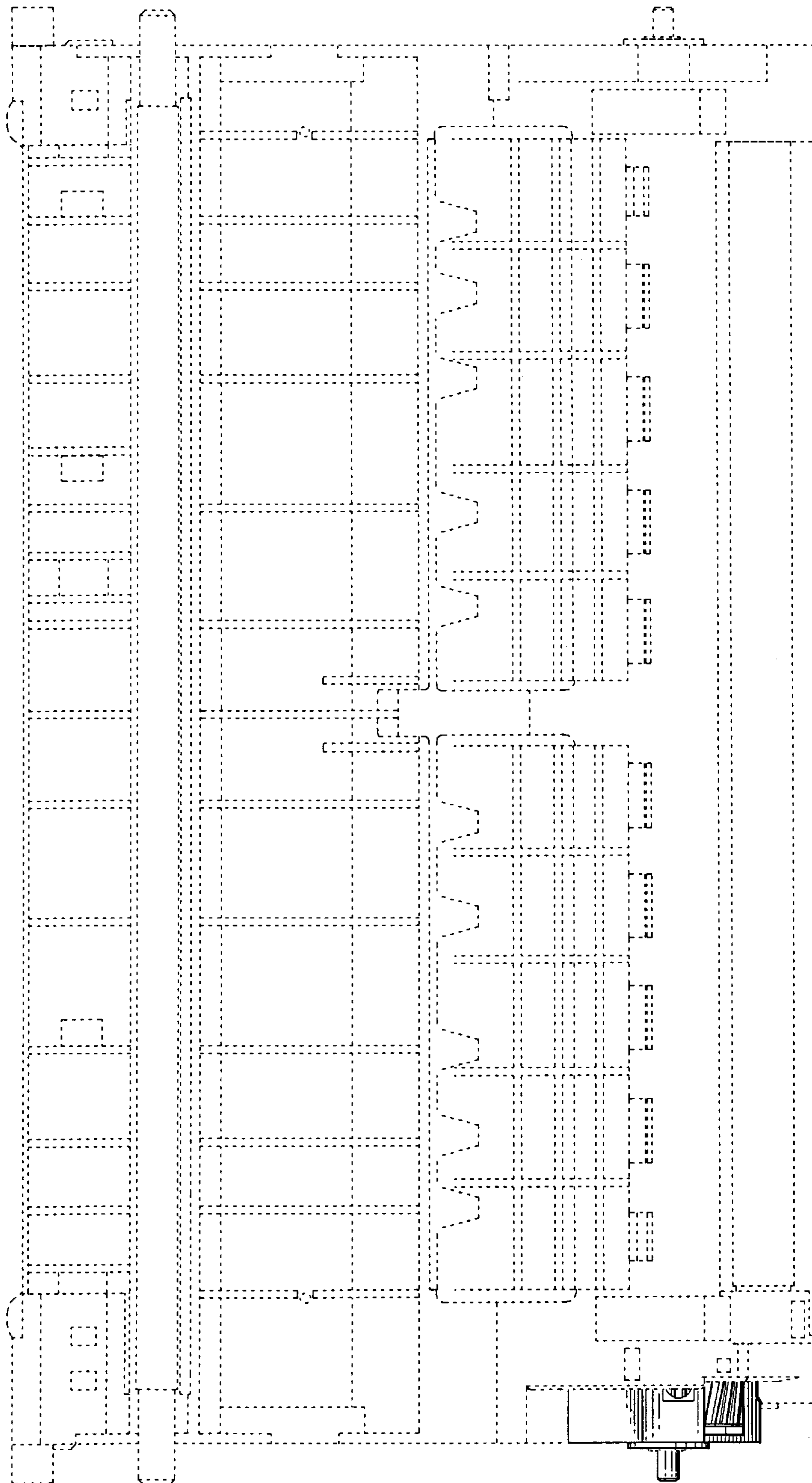


FIG. 8

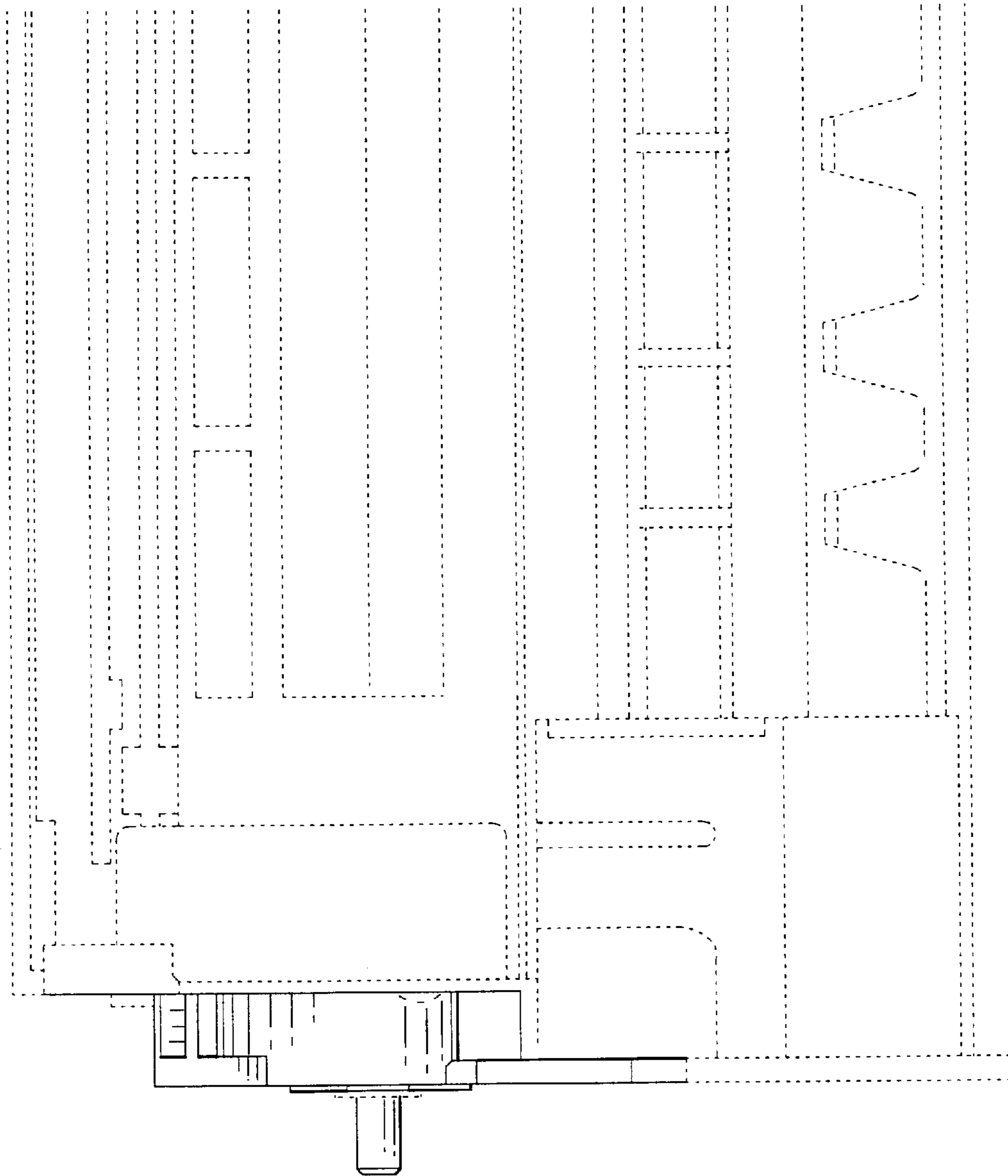


FIG. 9

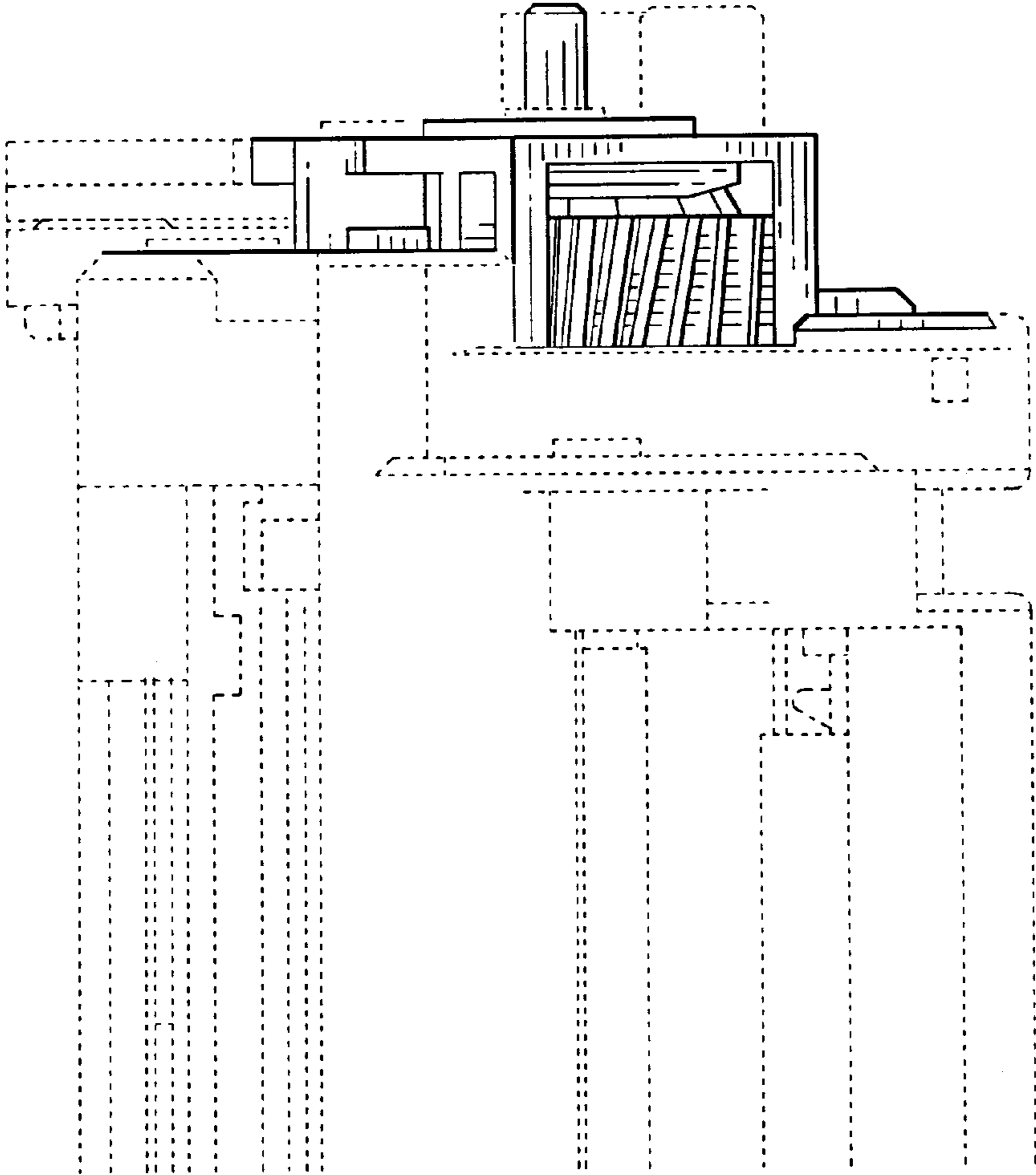


FIG. 10

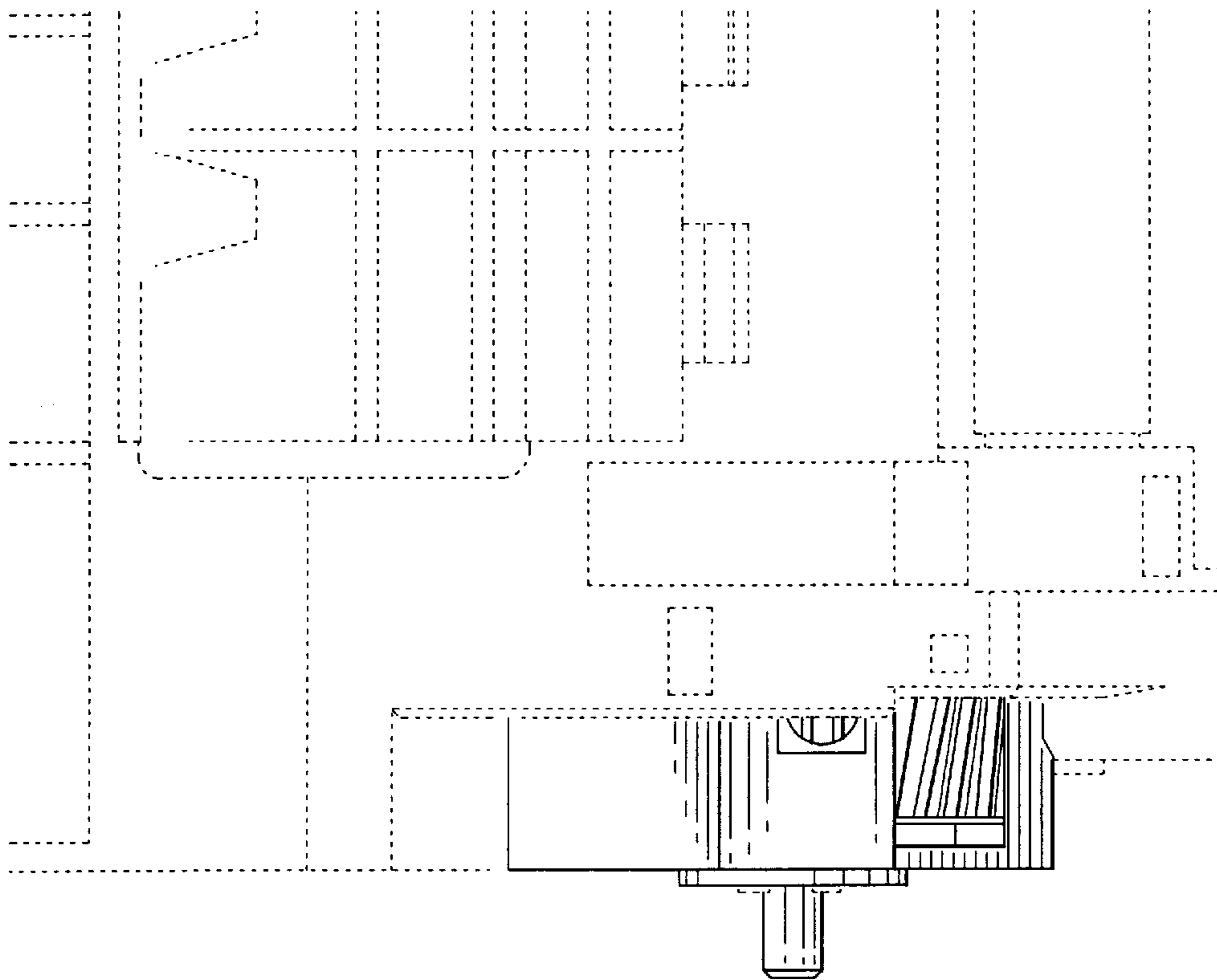


FIG. 11