



US00D523894S

(12) **United States Design Patent**
Ishii et al.

(10) **Patent No.:** **US D523,894 S**
(45) **Date of Patent:** **** Jun. 27, 2006**

(54) **PHOTOSENSITIVE DRUM UNIT**
(75) Inventors: **Makoto Ishii**, Nagoya (JP); **Fumio Morita**, Kisogawa-cho (JP); **Fumikazu Sato**, Inuyama (JP)
(73) Assignee: **Brother Industries, Ltd.**, Nagoya (JP)
(**) Term: **14 Years**

D447,511 S 9/2001 Kimura et al.
D471,583 S 3/2003 Okabe et al.
D507,295 S 7/2005 Ishii et al.
D509,239 S 9/2005 Ishii et al.
2002/0159780 A1 * 10/2002 Chadani et al. 399/27
2003/0185588 A1 * 10/2003 Takami et al. 399/111
2005/0031373 A1 * 2/2005 Ishii 399/111
2005/0135837 A1 * 6/2005 Okabe et al. 399/111

* cited by examiner

(21) Appl. No.: **29/222,090**
(22) Filed: **Jan. 27, 2005**

Primary Examiner—Caron D. Veynar
Assistant Examiner—Garth Rademaker
(74) *Attorney, Agent, or Firm*—Oliff & Berridge, PLC

(30) **Foreign Application Priority Data**

Oct. 21, 2004 (JP) 2004-032074

(51) **LOC (8) Cl.** **16-03**
(52) **U.S. Cl.** **D18/40**
(58) **Field of Classification Search** D18/12,
D18/36, 40, 43, 44, 56; D16/237, 246–250;
D14/474–484; 399/24–28, 110–112, 116,
399/119, 121, 122, 222–224; 347/49, 86,
347/87, 214; 400/194, 196, 207, 208
See application file for complete search history.

(57) **CLAIM**

The ornamental design for a photosensitive drum unit, as shown and described.

DESCRIPTION

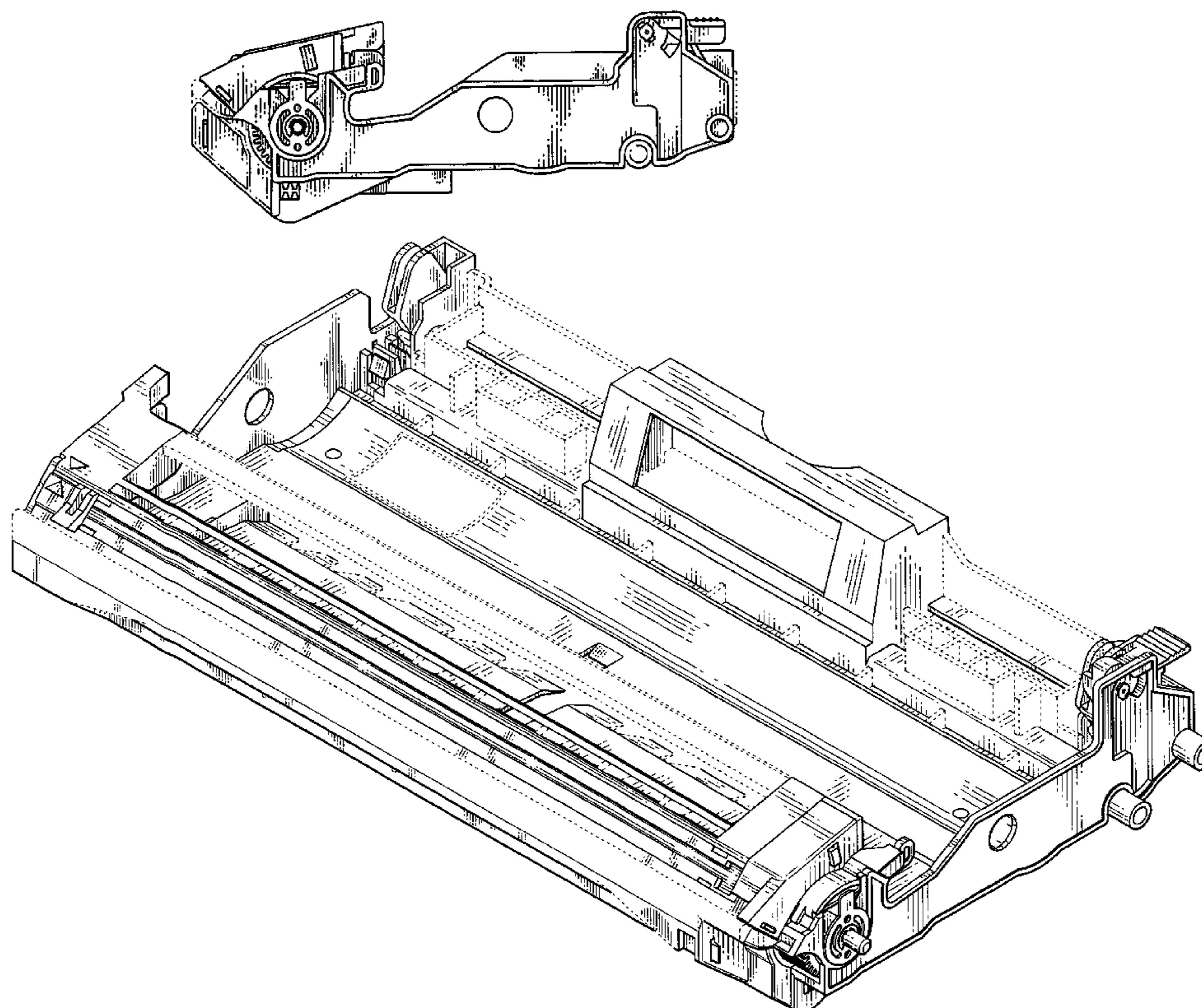
FIG. 1 is a front view of a photosensitive drum unit;
FIG. 2 is a top view thereof;
FIG. 3 is a right-side view thereof;
FIG. 4 is a left-side view thereof
FIG. 5 is a rear view thereof;
FIG. 6 is a bottom view thereof;
FIG. 7 is a perspective view thereof; and,
FIG. 8 is another perspective view thereof.
The broken line showing is for illustrative purposes only and forms no part of the claimed design.

(56) **References Cited**

U.S. PATENT DOCUMENTS

5,784,671 A * 7/1998 Damji et al. 399/110
D410,676 S * 6/1999 Kurabayashi et al. D18/40
D423,559 S 4/2000 Suzuki et al.
6,055,406 A * 4/2000 Kawai et al. 399/111

1 Claim, 7 Drawing Sheets



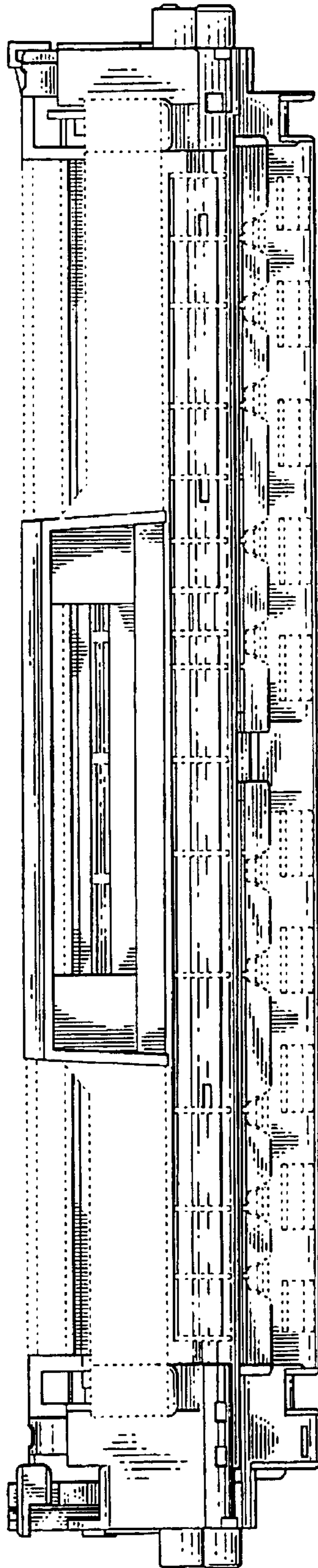


FIG. 1

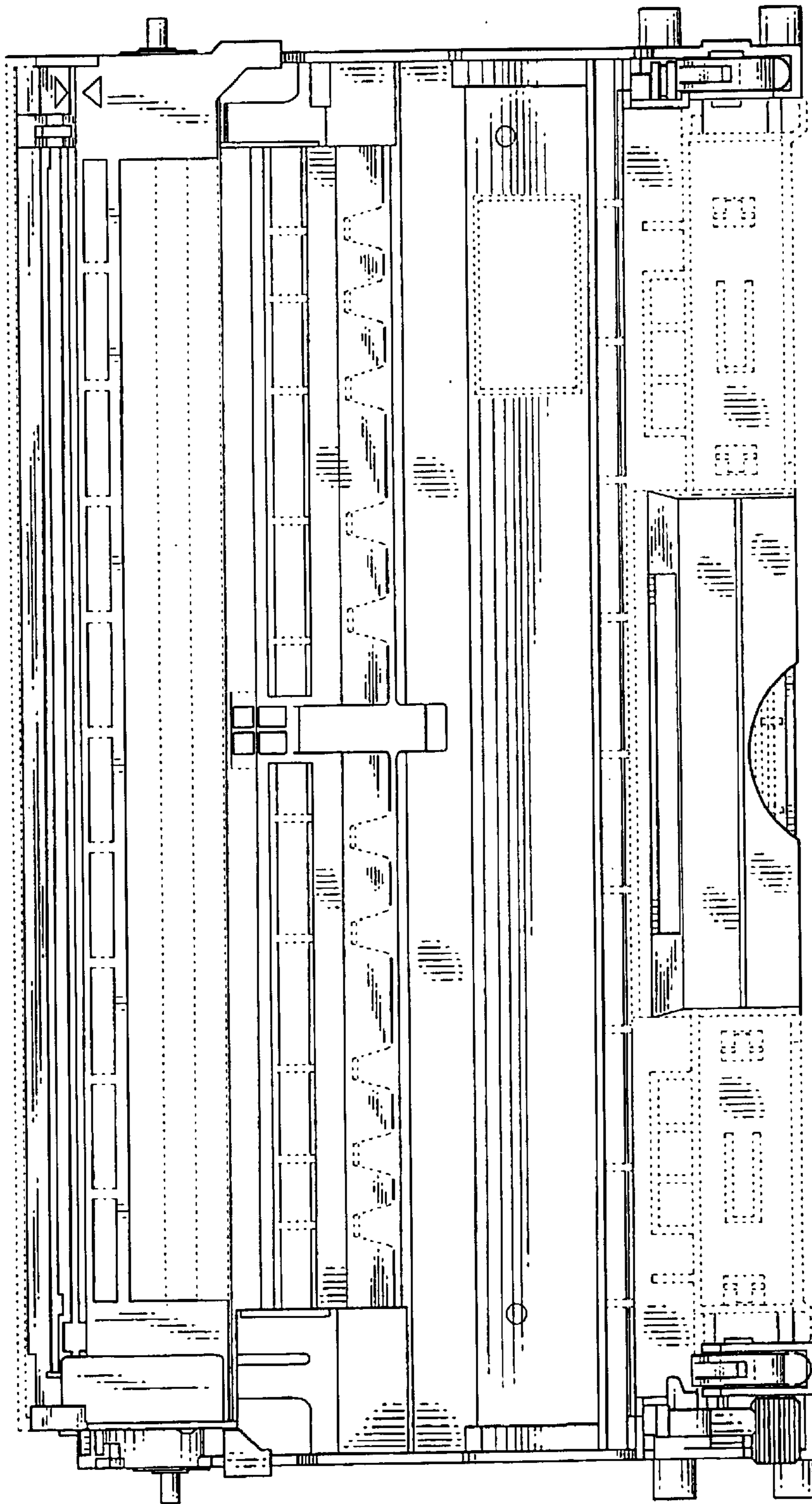


FIG. 2

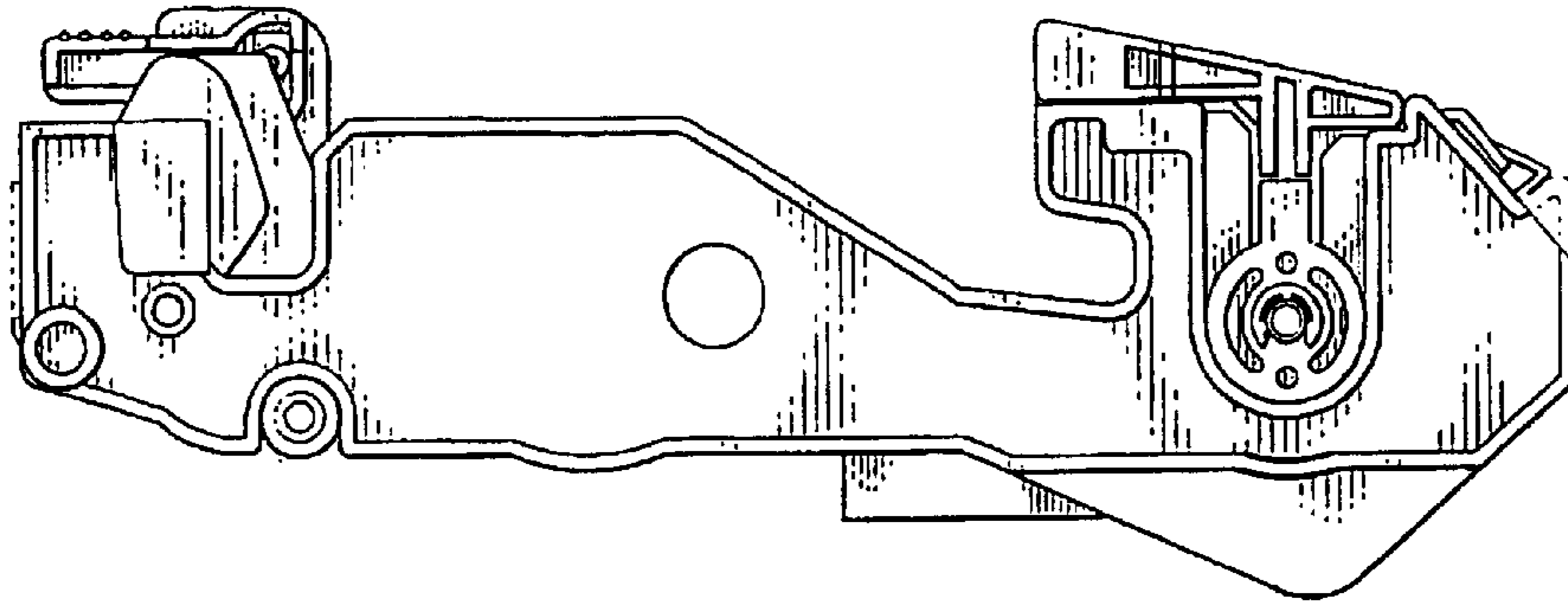


FIG. 3

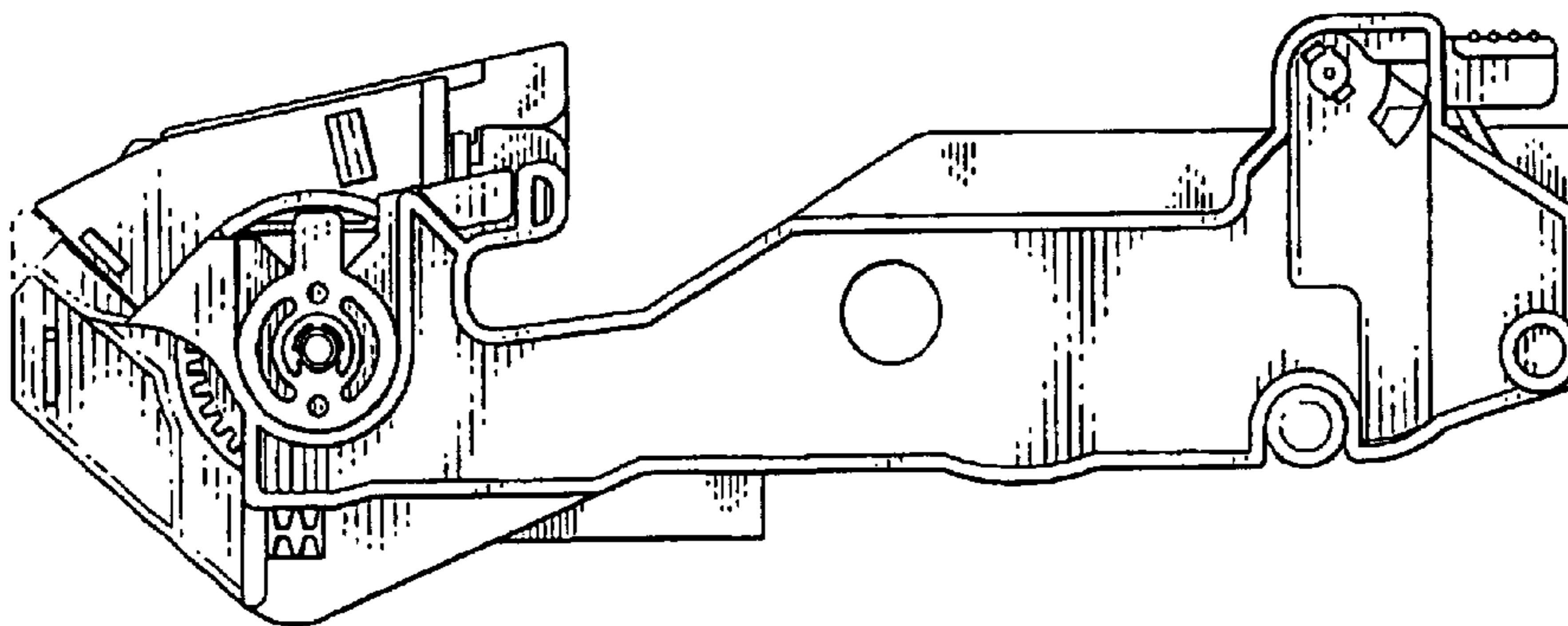


FIG. 4

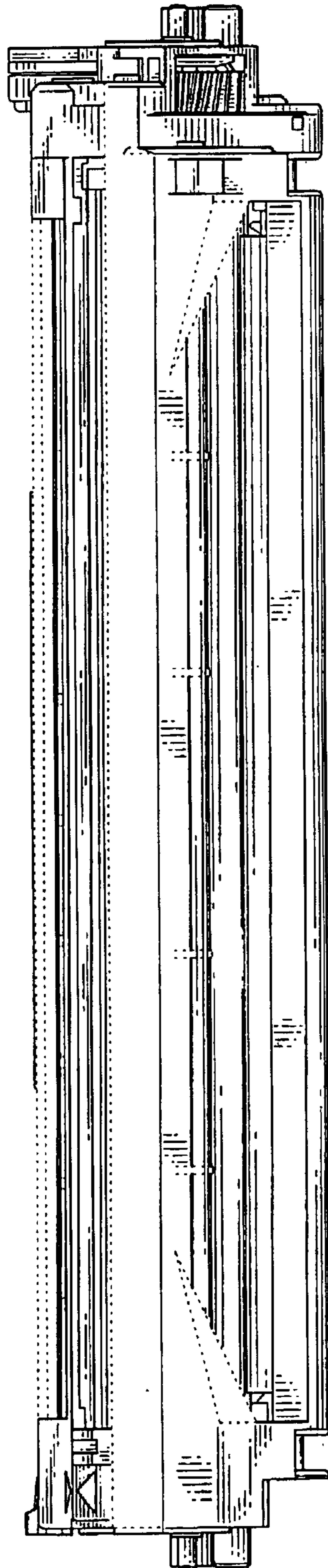


FIG. 5

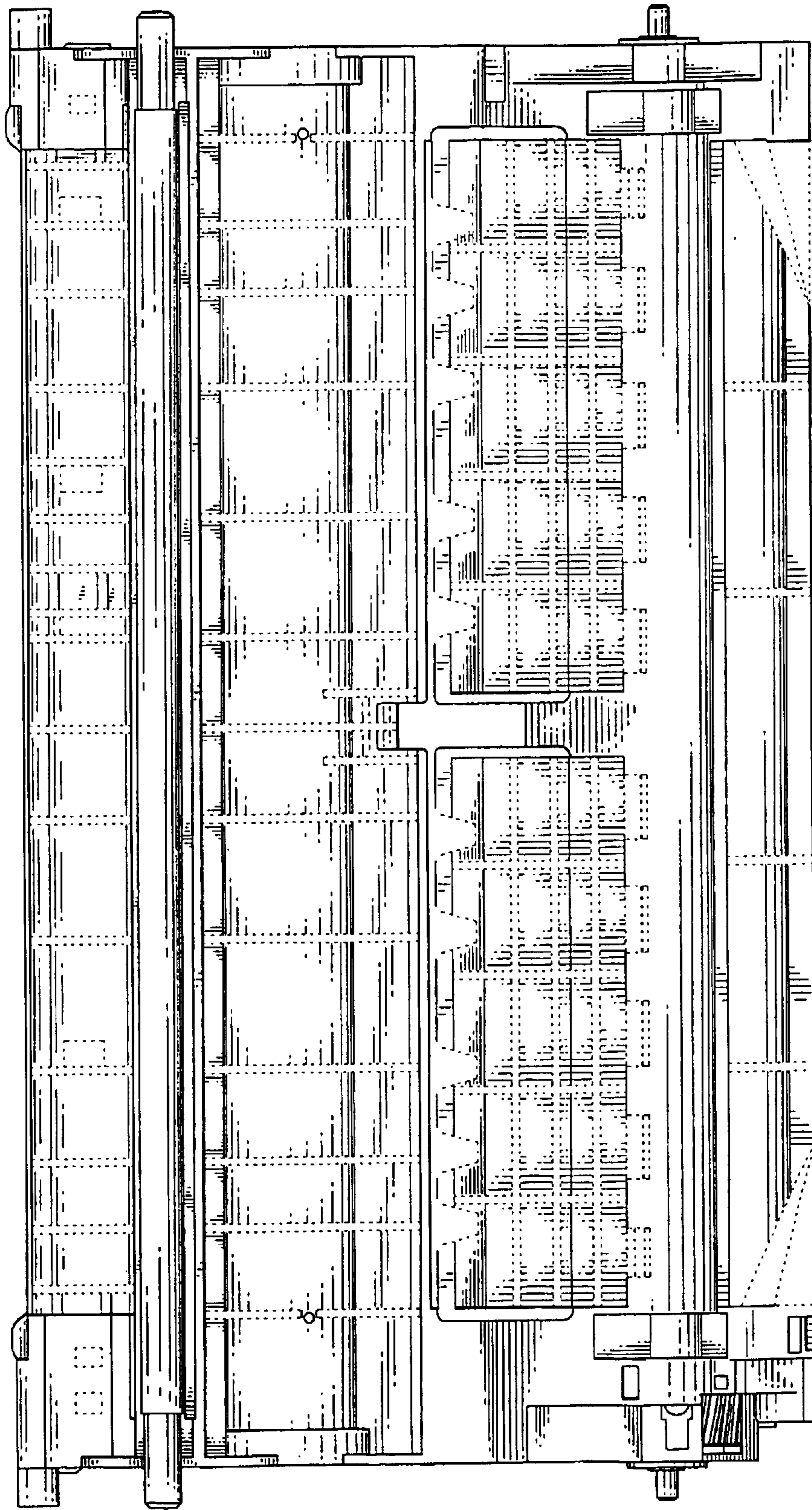


FIG. 6

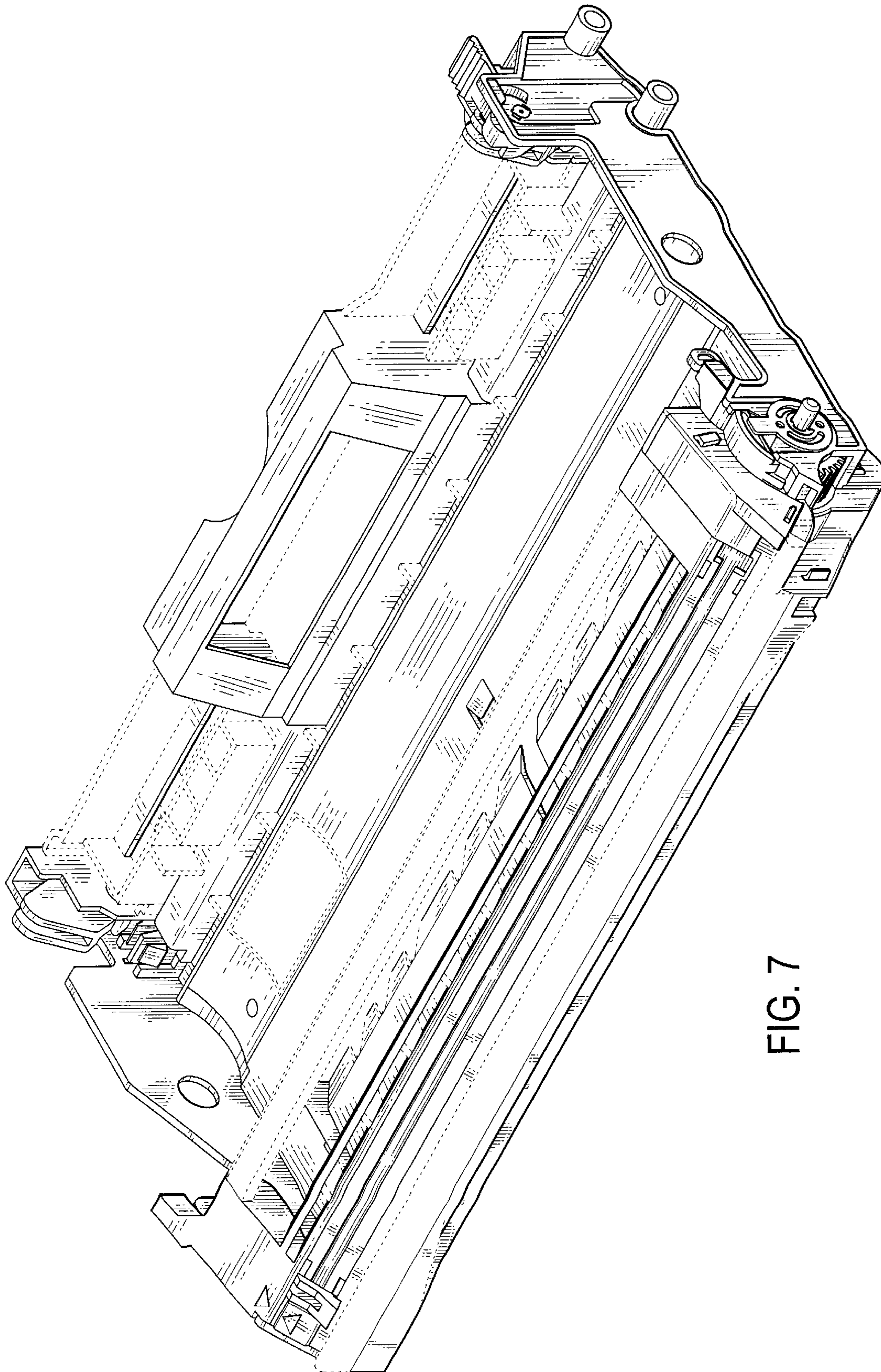


FIG. 7

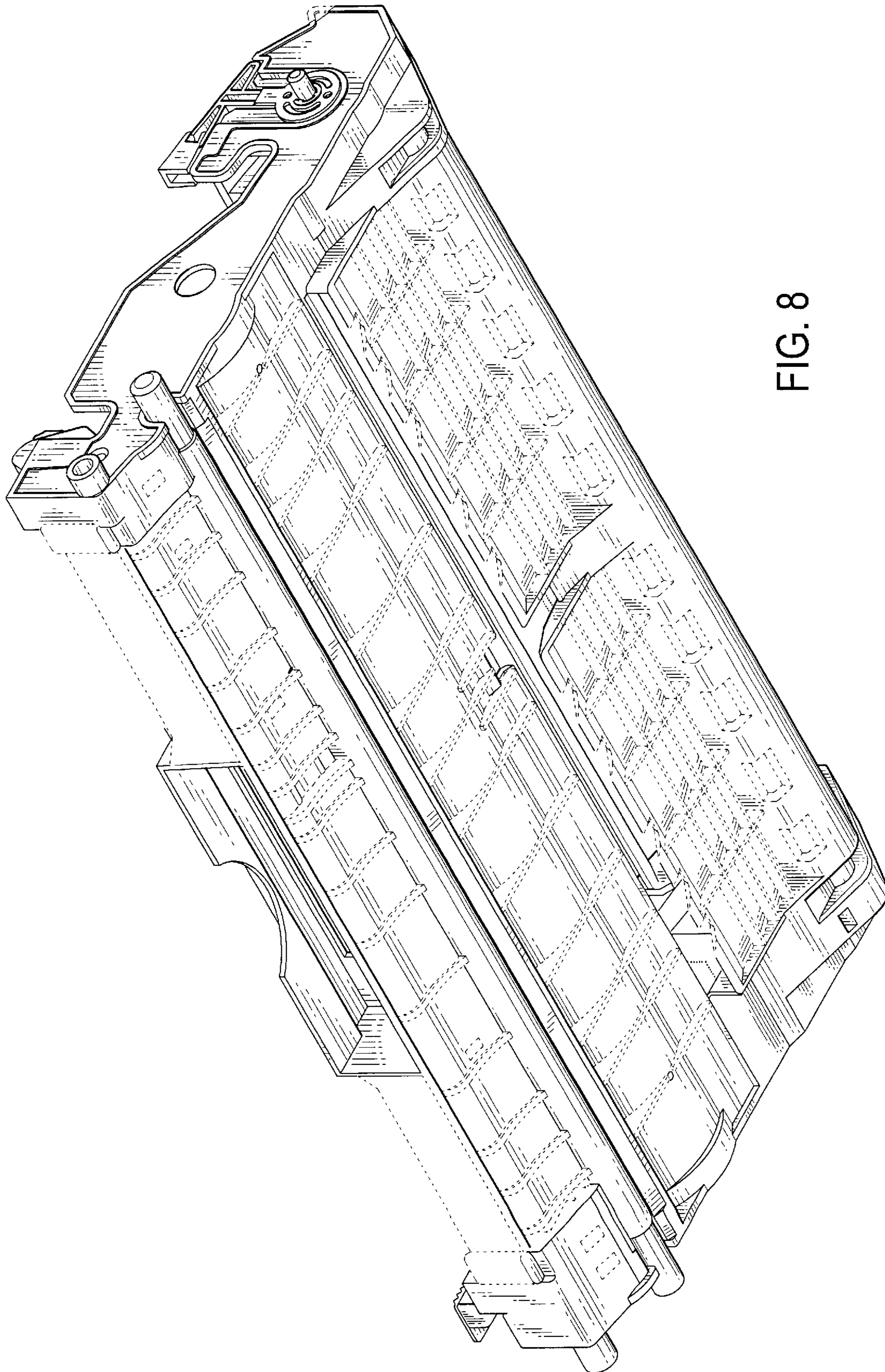


FIG. 8