



US00D523892S

(12) **United States Design Patent**  
**Faber**

(10) **Patent No.:** **US D523,892 S**  
(45) **Date of Patent:** **\*\* Jun. 27, 2006**

(54) **STAMP**

(75) Inventor: **Ernst Faber, Wels (AT)**

(73) Assignee: **Colop Stempelerzeugung Skopek GmbH & Co. KG, Wels (AT)**

(\*\*) Term: **14 Years**

(21) Appl. No.: **29/230,392**

(22) Filed: **May 20, 2005**

**Related U.S. Application Data**

(62) Division of application No. 29/205,596, filed on May 17, 2004, now Pat. No. Des. 508,942.

(30) **Foreign Application Priority Data**

Nov. 17, 2003 (EM) ..... 104039

(51) **LOC (8) Cl.** ..... **19-02**

(52) **U.S. Cl.** ..... **D18/15**

(58) **Field of Classification Search** ..... D18/15-18,  
D18/50; 101/333-334, 327, 405, 406, 328,  
101/352.07; 118/264, 268

See application file for complete search history.

(56) **References Cited**

**U.S. PATENT DOCUMENTS**

D158,108 S \* 4/1950 Ljunggren ..... D18/15

D372,729 S \* 8/1996 Hewitt ..... D18/18  
D427,233 S \* 6/2000 Faber ..... D18/15  
D451,945 S \* 12/2001 MacNeil et al. .... D18/15  
D492,957 S \* 7/2004 Wei ..... D18/15  
6,761,114 B1 \* 7/2004 Koneczny et al. .... 101/333  
D495,732 S \* 9/2004 Treml ..... D18/15  
D497,936 S \* 11/2004 Kida et al. .... D18/15  
2004/0144274 A1 \* 7/2004 Pichler et al. .... 101/333

\* cited by examiner

*Primary Examiner*—Charles A. Rademaker

(74) *Attorney, Agent, or Firm*—Baker Botts L.L.P.

(57) **CLAIM**

The ornamental design for a stamp, as shown and described.

**DESCRIPTION**

FIG. 1 is a perspective view of a design for a stamp showing my new design;

FIG. 2 is a front elevation thereof;

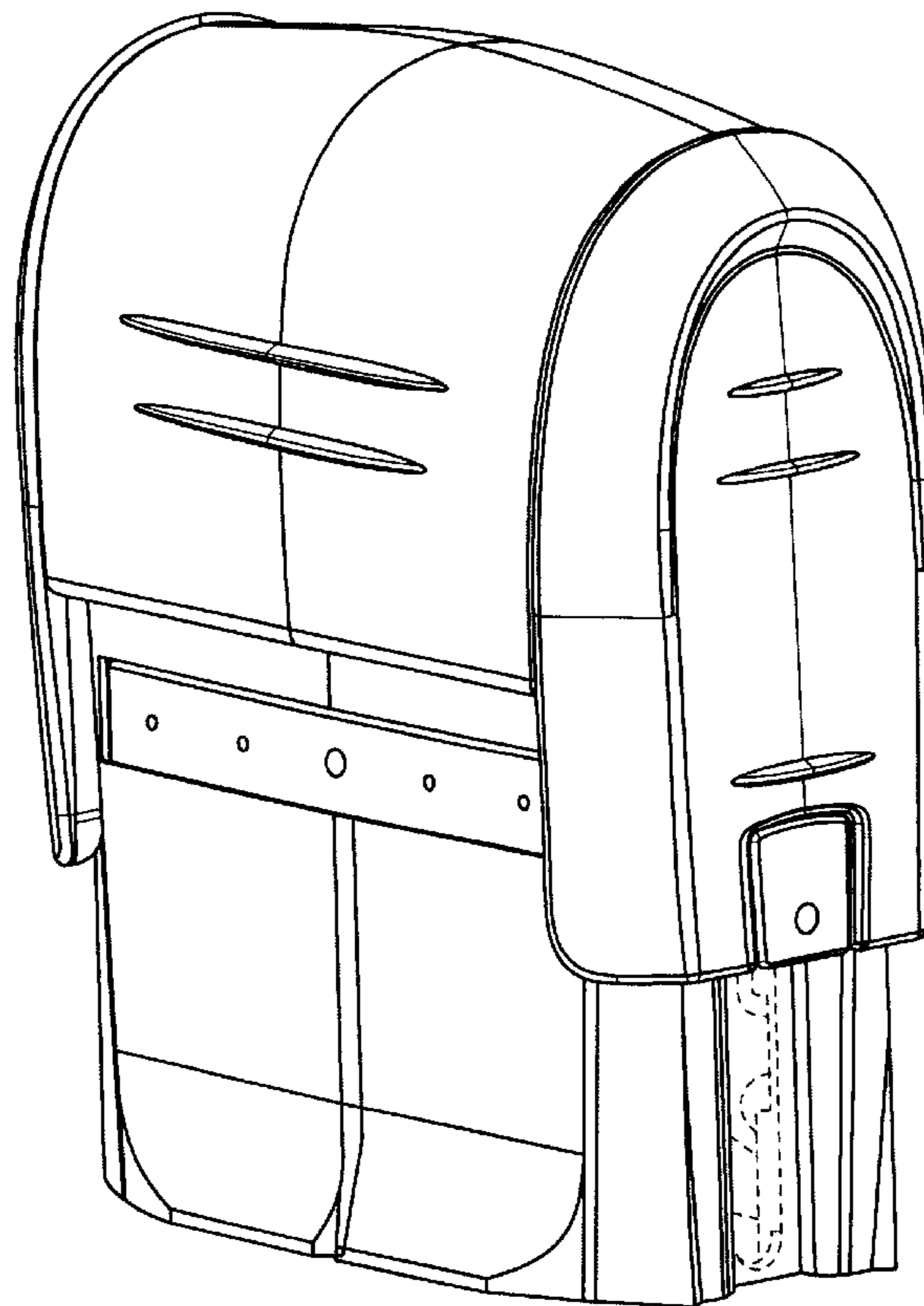
FIG. 3 is a side elevation thereof, the side opposite being a mirror image;

FIG. 4 is a top plan view thereof; and,

FIG. 5 is a bottom plan view thereof.

The broken line showing of the environment in the figure drawings is for illustrative purposes only and forms no part of the claimed design.

**1 Claim, 5 Drawing Sheets**



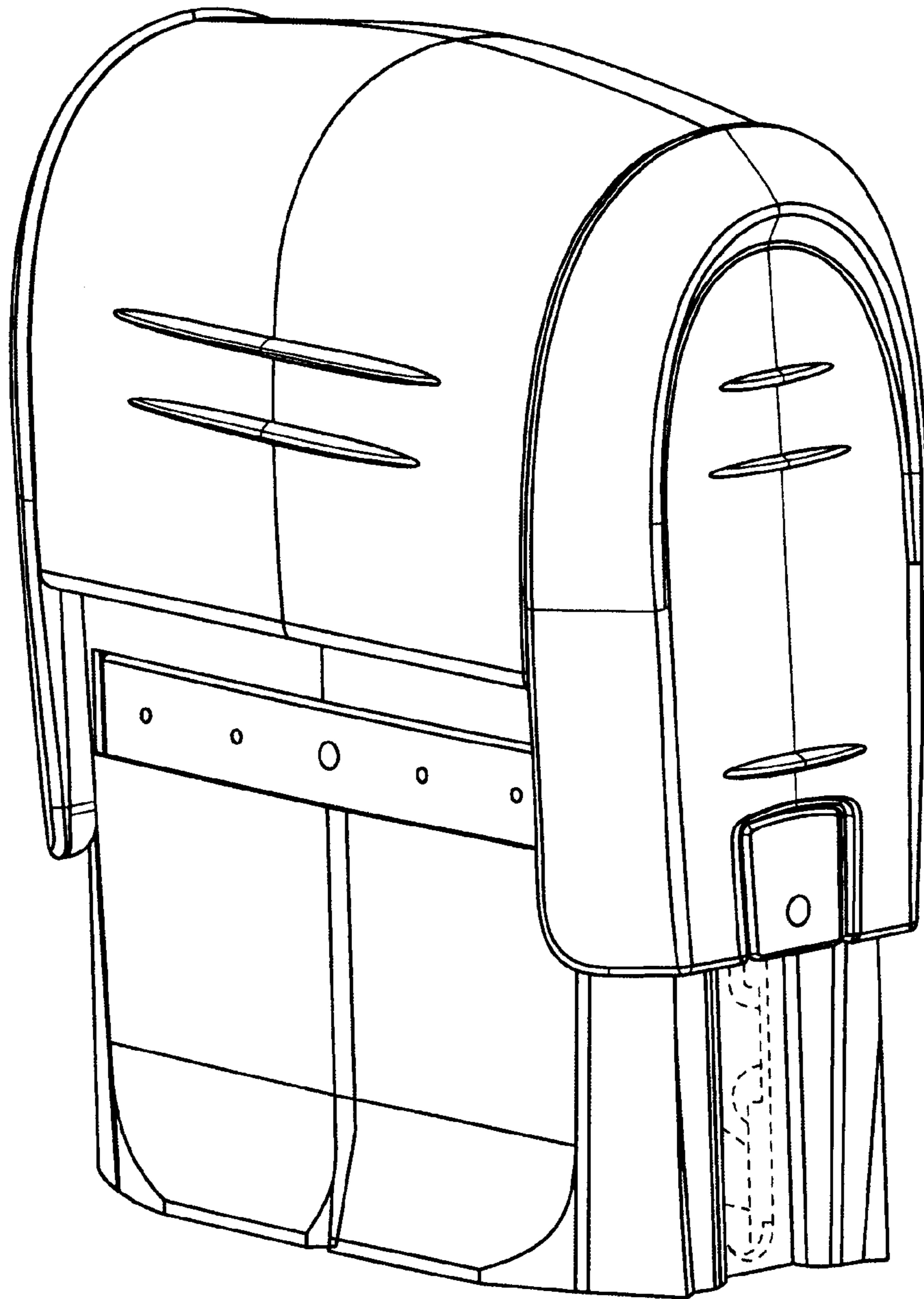


FIG. 1

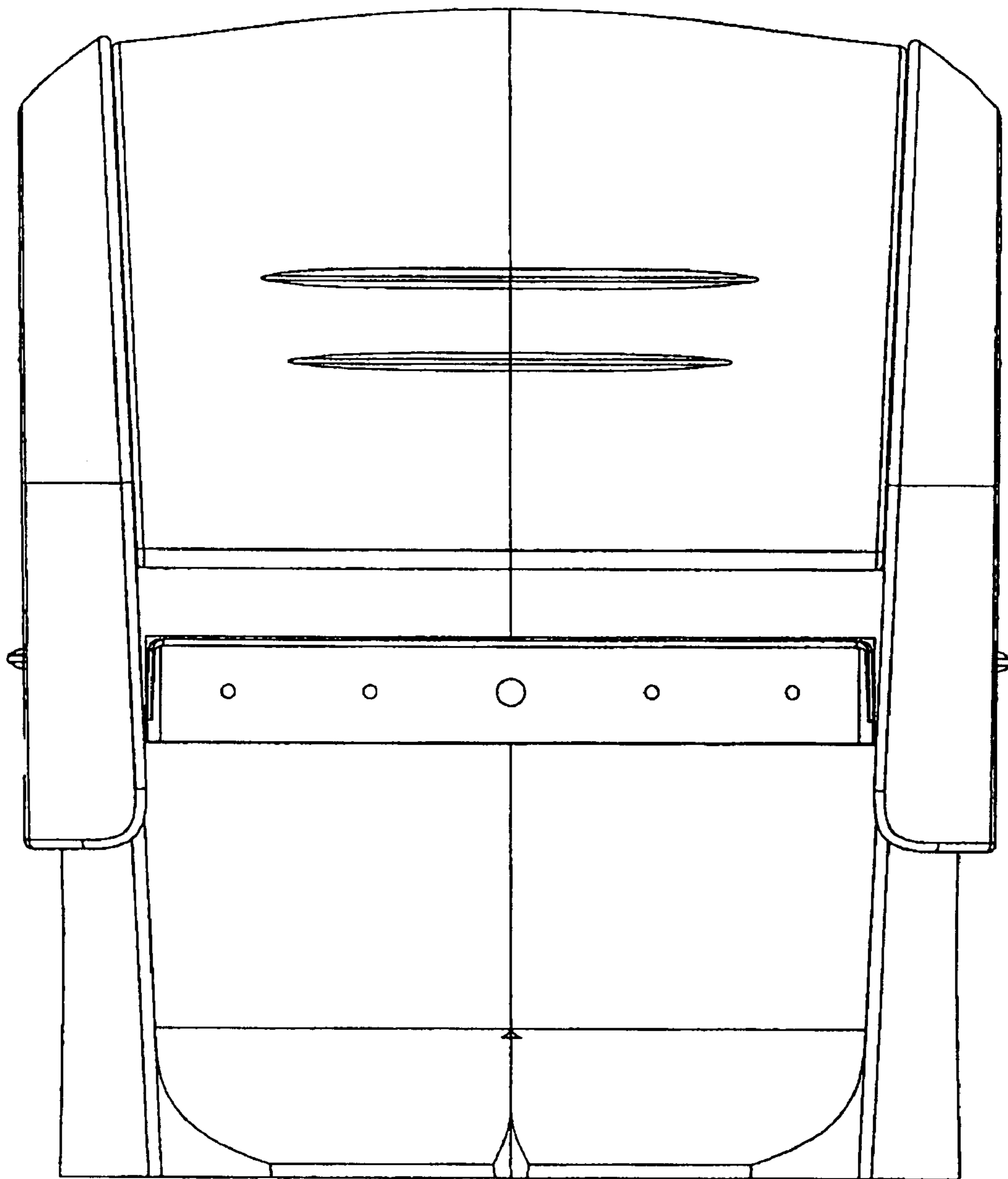


FIG. 2

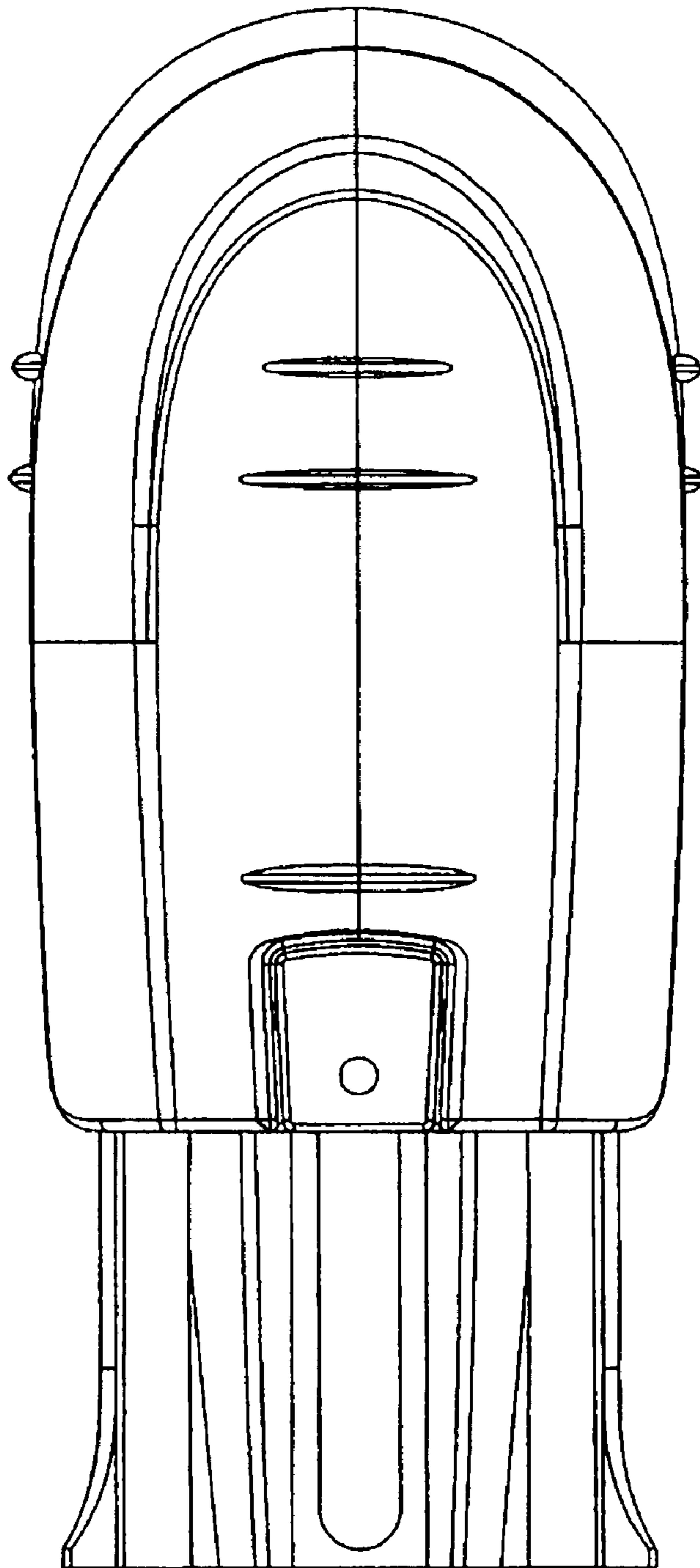


FIG. 3

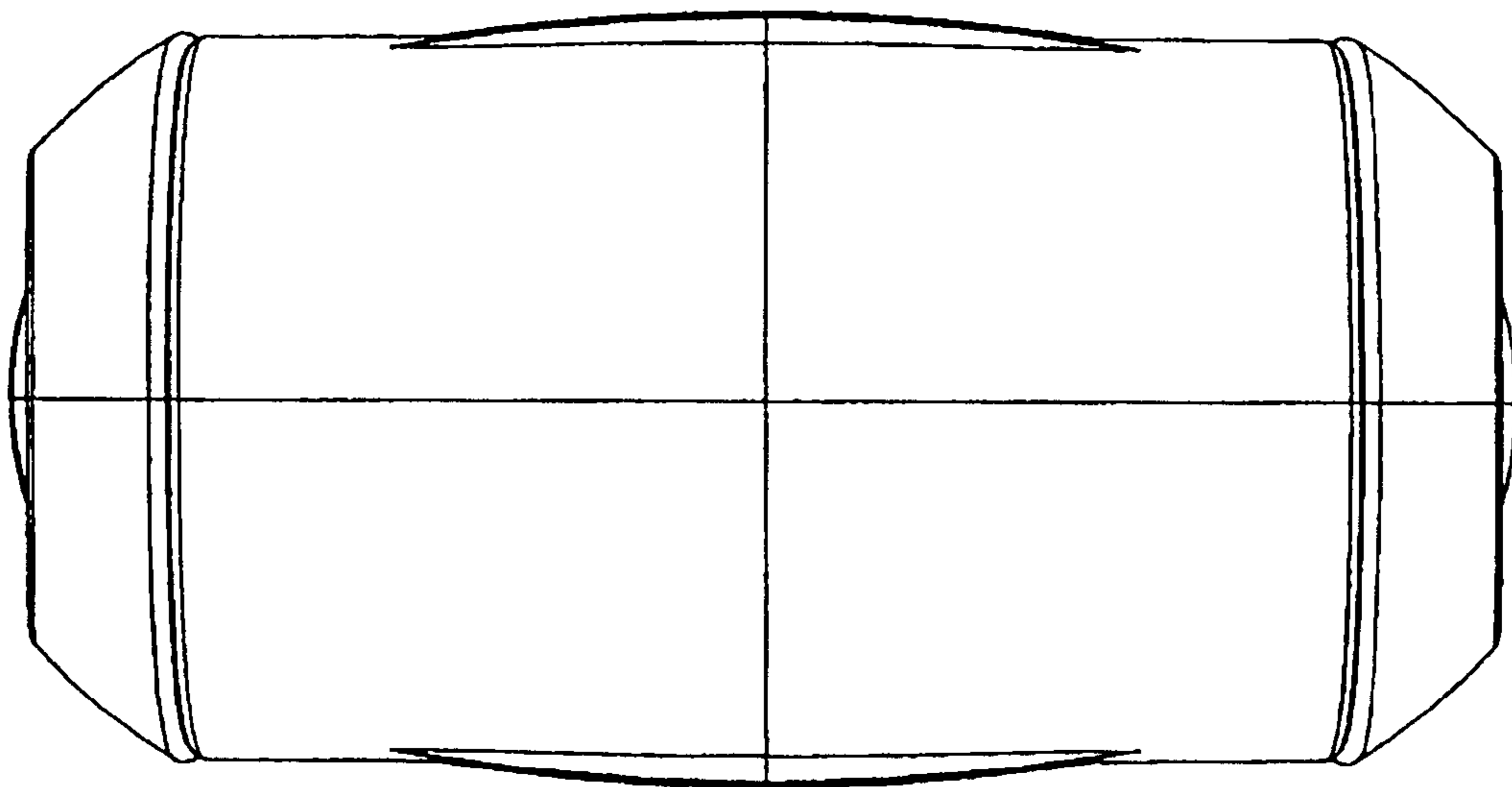


FIG. 4

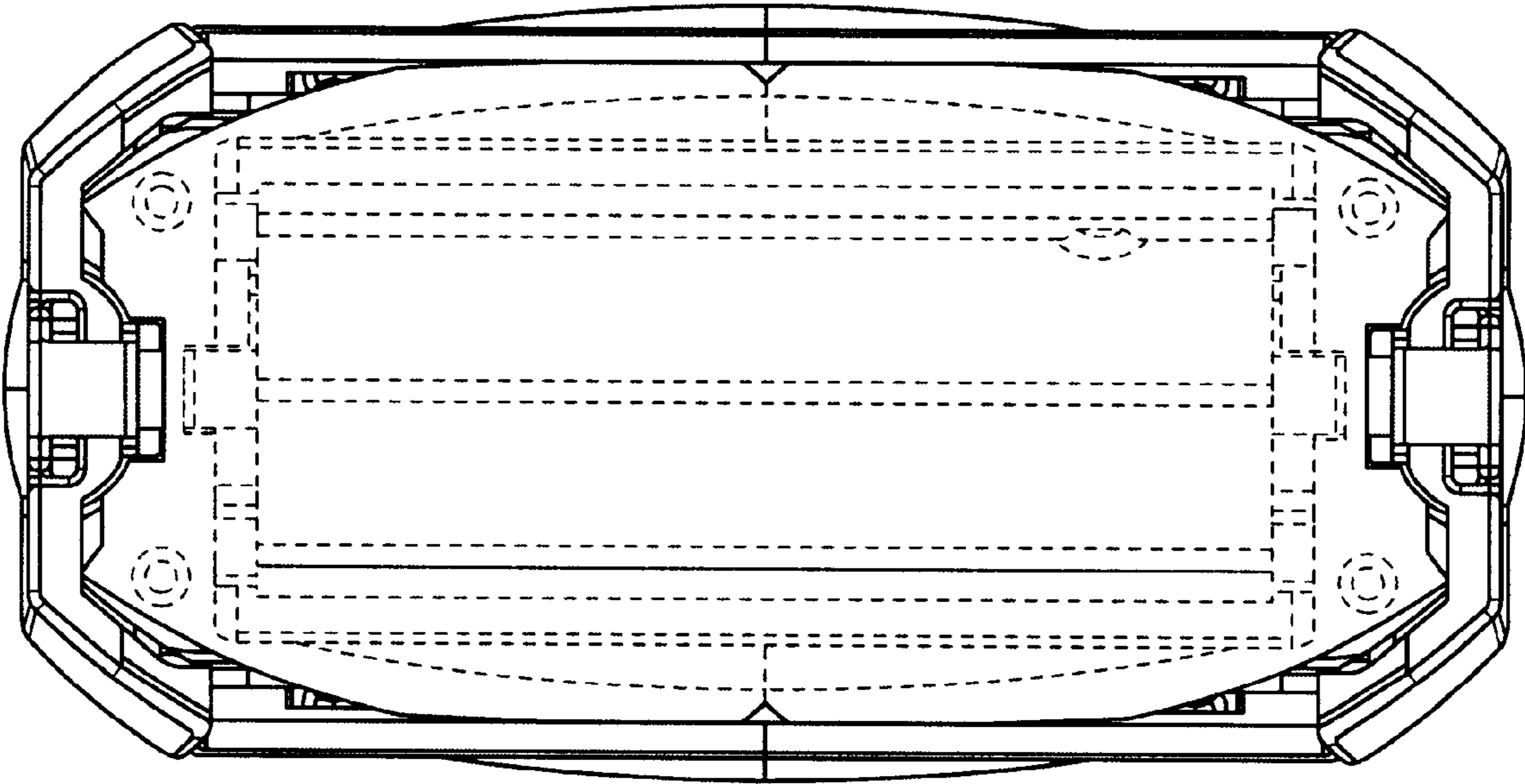


FIG. 5