



US00D523891S

(12) **United States Design Patent**  
**Tu**

(10) **Patent No.:** **US D523,891 S**

(45) **Date of Patent:** **\*\* Jun. 27, 2006**

(54) **PRINT CARTRIDGE**

(75) **Inventor:** **Chun-Ying Tu, Taipei (TW)**

(73) **Assignee:** **Hi-Touch Imaging Technoloiges Co., Ltd., Taipei Hsien (TW)**

(\*\*) **Term:** **14 Years**

(21) **Appl. No.:** **29/210,838**

(22) **Filed:** **Aug. 9, 2004**

**Related U.S. Application Data**

(63) Continuation-in-part of application No. 29/205,256, filed on May 12, 2004.

(51) **LOC (8) Cl.** ..... **18-01**

(52) **U.S. Cl.** ..... **D18/12**

(58) **Field of Classification Search** ..... D18/12,  
D18/36, 40, 43, 44, 56; D16/237, 246-250;  
D14/474-484; 399/24-28, 110-112, 116,  
399/119, 121, 122, 222-224; 347/49, 86,  
347/87, 214; 400/194, 196, 207, 208

See application file for complete search history.

(56) **References Cited**

**U.S. PATENT DOCUMENTS**

3,614,012 A \* 10/1971 Edelman et al. .... D14/481  
4,160,605 A \* 7/1979 Neubaum ..... 400/208  
4,973,983 A \* 11/1990 Yamamoto et al. .... 347/214  
D327,495 S \* 6/1992 Nagai ..... D18/56  
5,331,378 A \* 7/1994 Baker et al. .... 399/111  
5,352,049 A \* 10/1994 Shiraishi et al. .... D18/56  
D355,436 S \* 2/1995 Suwa ..... D18/56

D361,592 S \* 8/1995 Niwano ..... D18/56  
D383,743 S \* 9/1997 Suwa et al. .... D18/56  
5,709,485 A \* 1/1998 Kohno ..... 347/214  
D397,142 S \* 8/1998 Hammill et al. .... D18/56  
D418,860 S \* 1/2000 Shimoyama et al. .... D18/12  
D420,696 S \* 2/2000 Yung et al. .... D18/12  
D464,670 S \* 10/2002 Du ..... D18/12  
6,624,836 B1 \* 9/2003 Sakuta et al. .... 347/214  
2005/0052523 A1 \* 3/2005 Kaida et al. .... 347/214  
2005/0129444 A1 \* 6/2005 Igi et al. .... 400/207  
2005/0201806 A1 \* 9/2005 Yamamoto ..... 400/208

**FOREIGN PATENT DOCUMENTS**

TW 139897 8/1990  
TW 446462 7/2001

\* cited by examiner

*Primary Examiner*—Caron D. Veynar

*Assistant Examiner*—Garth Rademaker

(74) *Attorney, Agent, or Firm*—Winston Hsu

(57) **CLAIM**

The ornamental design for a print cartridge, as shown and described.

**DESCRIPTION**

FIG. 1 is a perspective view of a print cartridge in accordance with my new design;

FIG. 2 is a top plan view thereof;

FIG. 3 is a front view thereof;

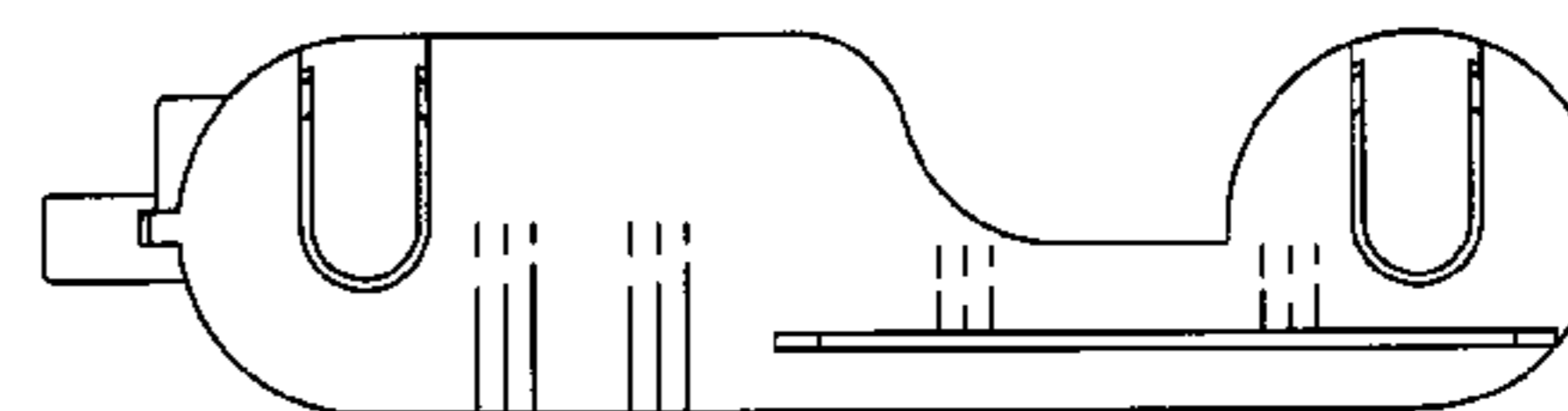
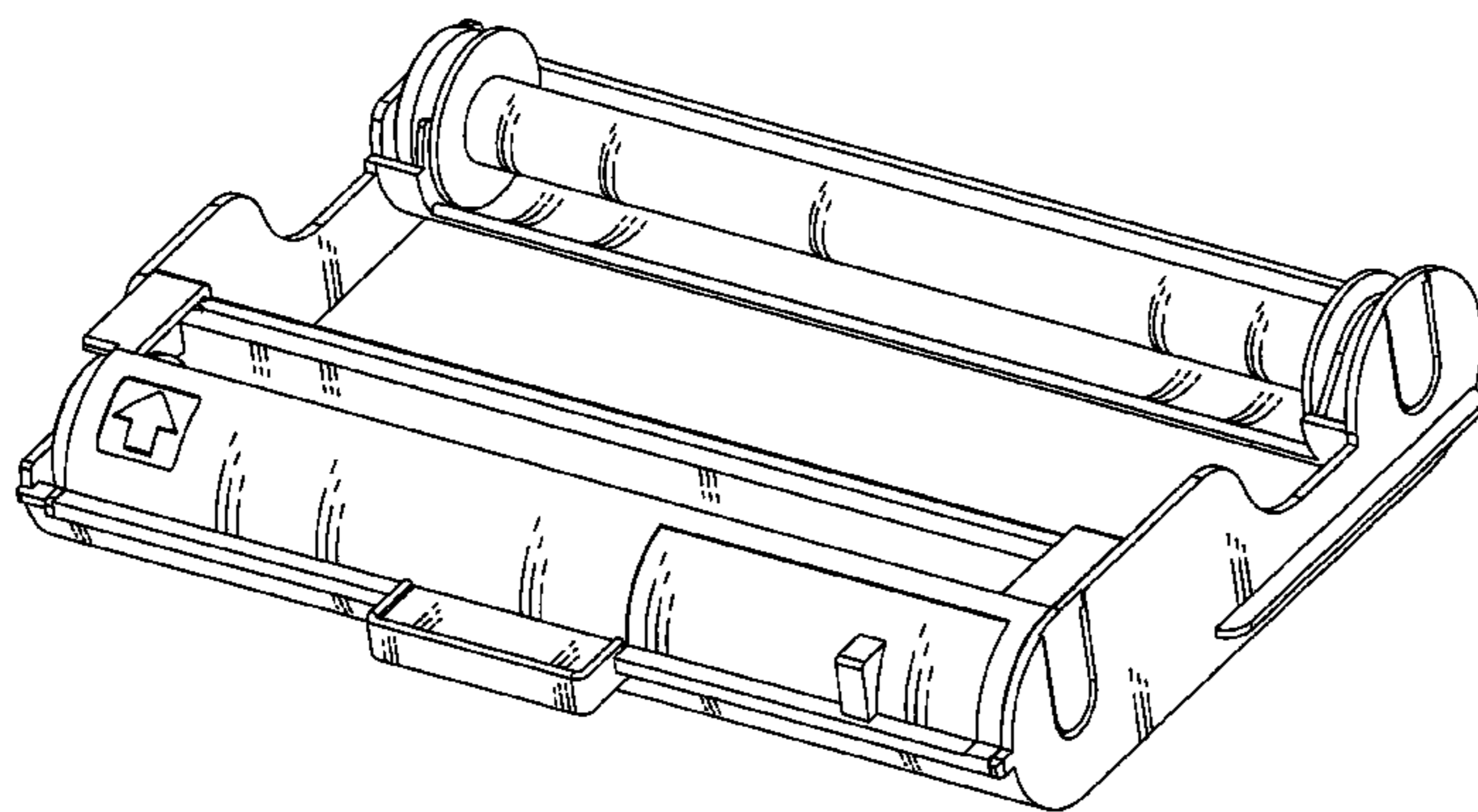
FIG. 4 is a right view thereof;

FIG. 5 is a rear view thereof;

FIG. 6 is a left view thereof; and,

FIG. 7 is a bottom plan view thereof.

**1 Claim, 7 Drawing Sheets**



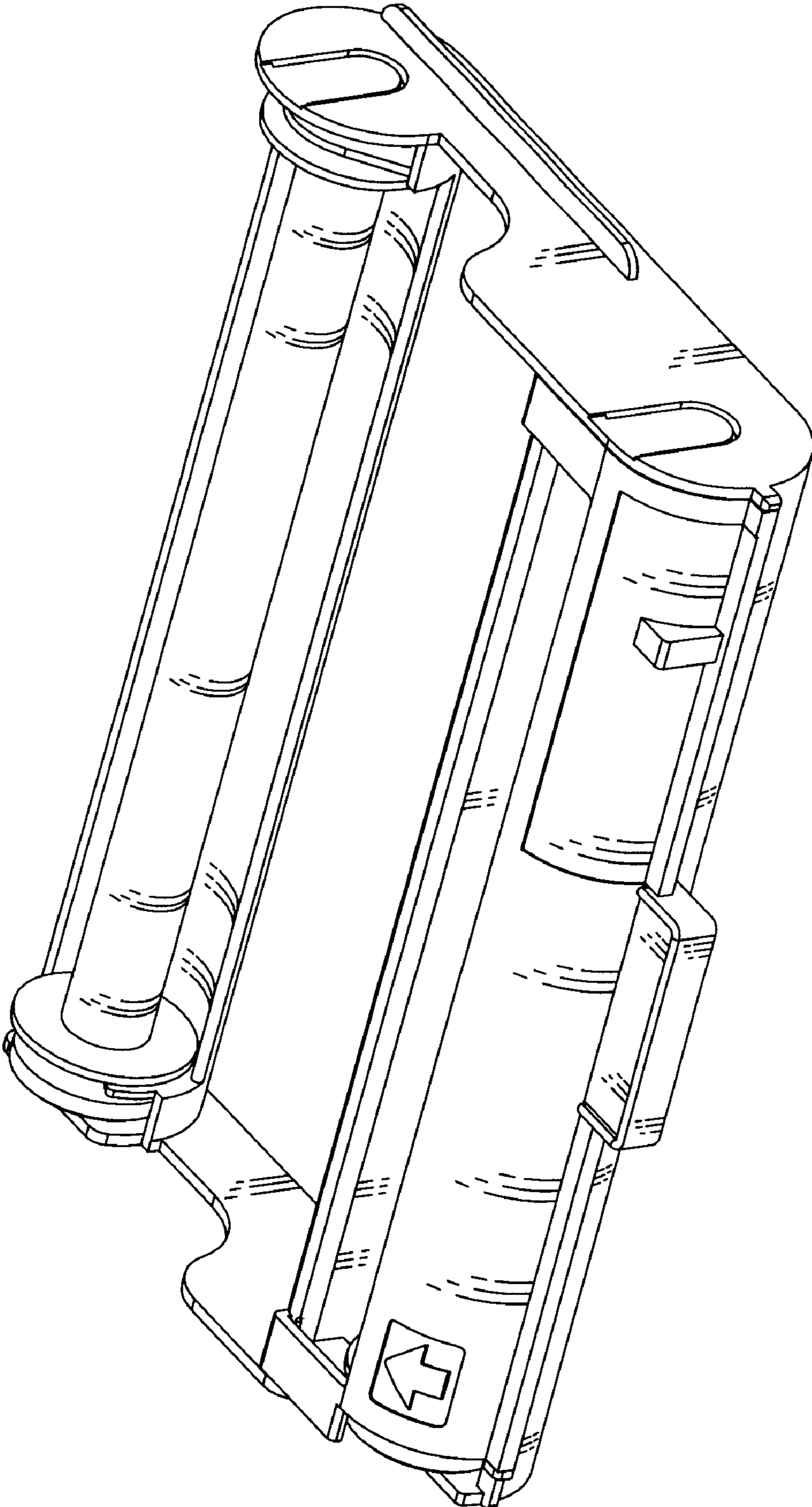


Fig. 1

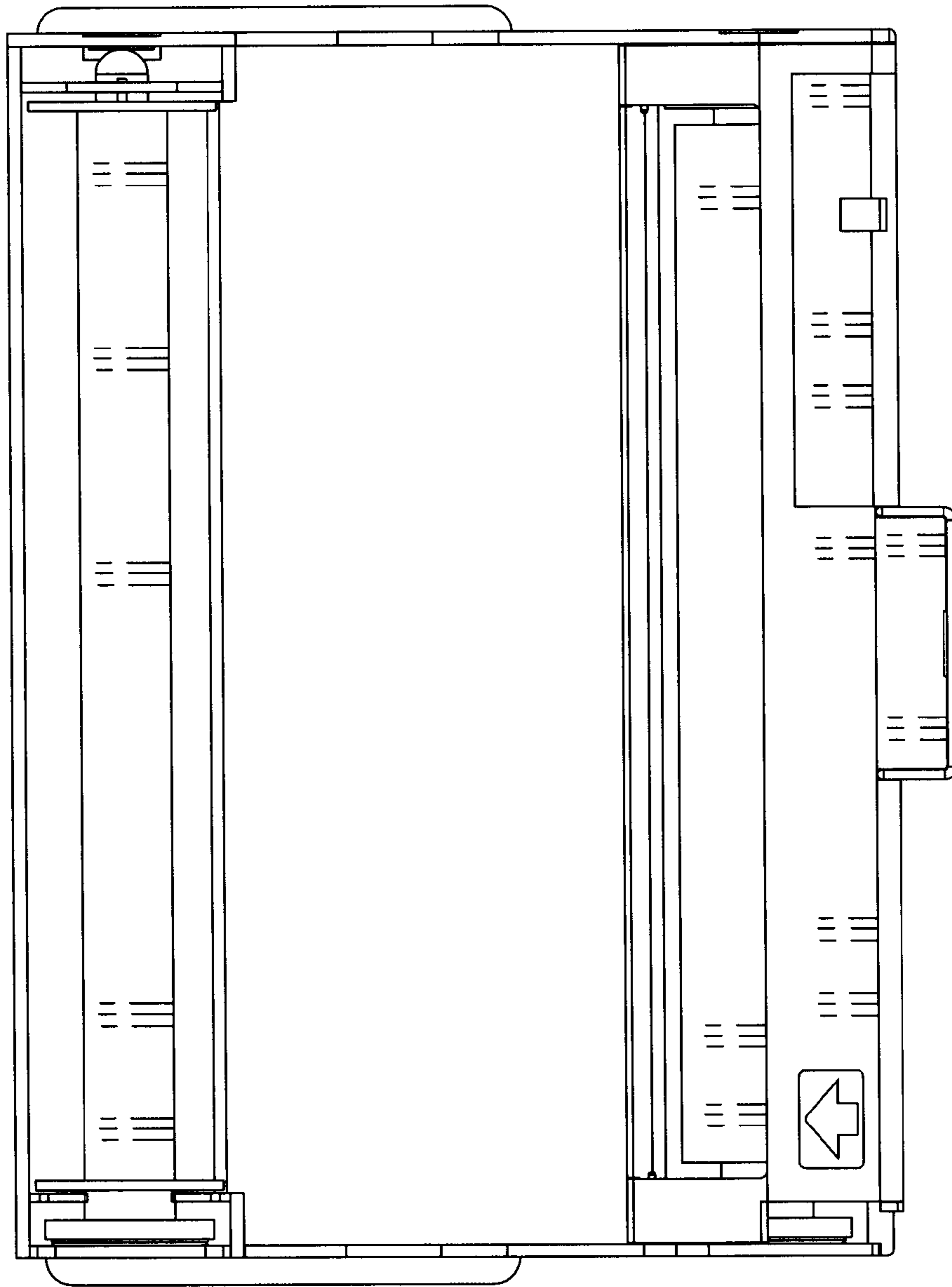


Fig. 2

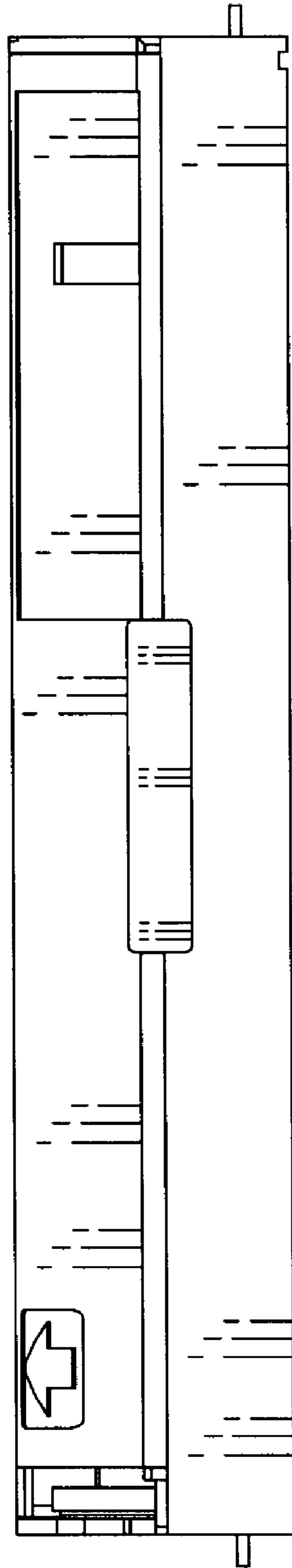


Fig. 3

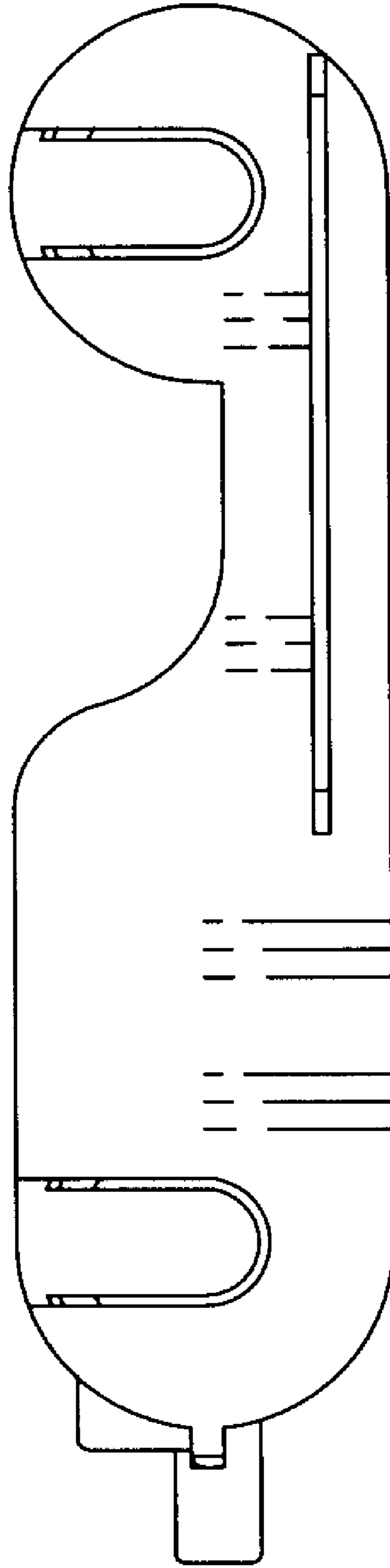


Fig. 4

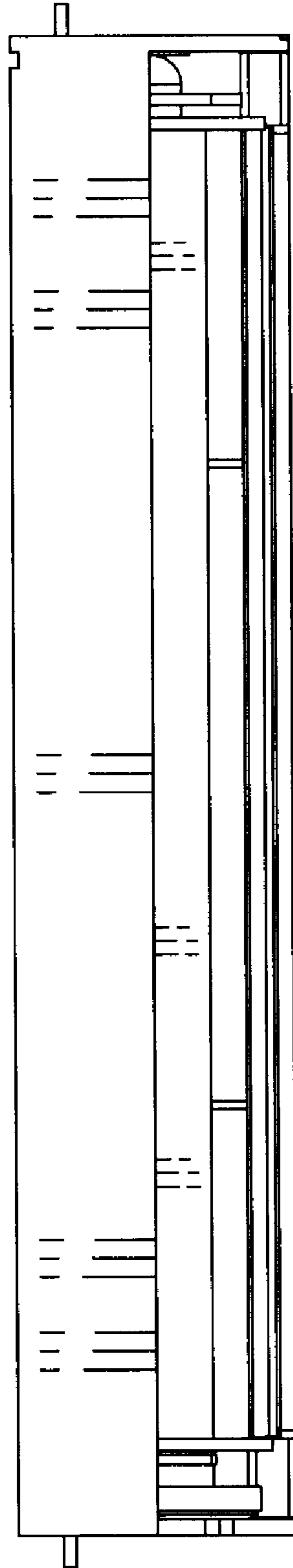


Fig. 5

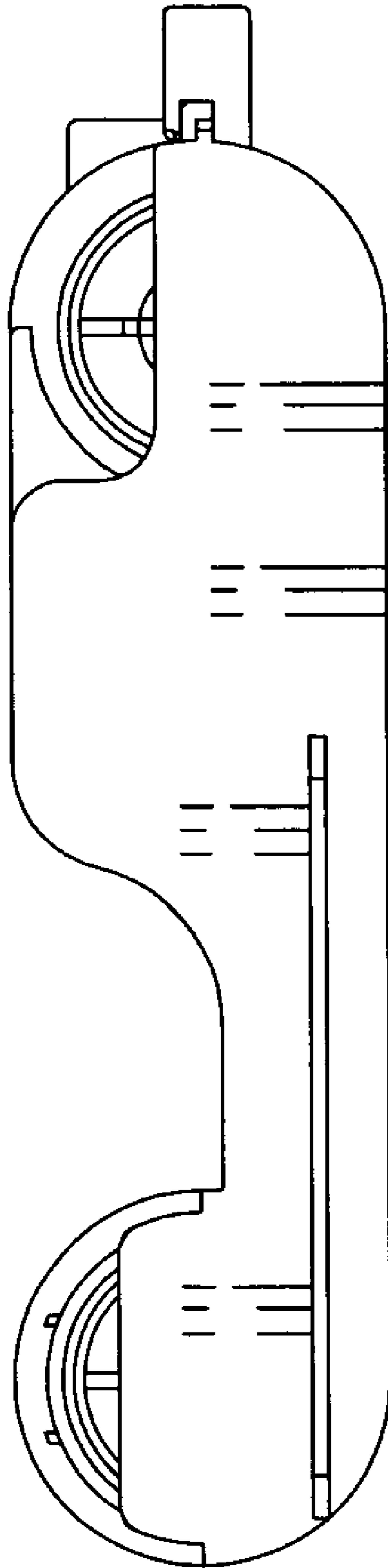


Fig. 6

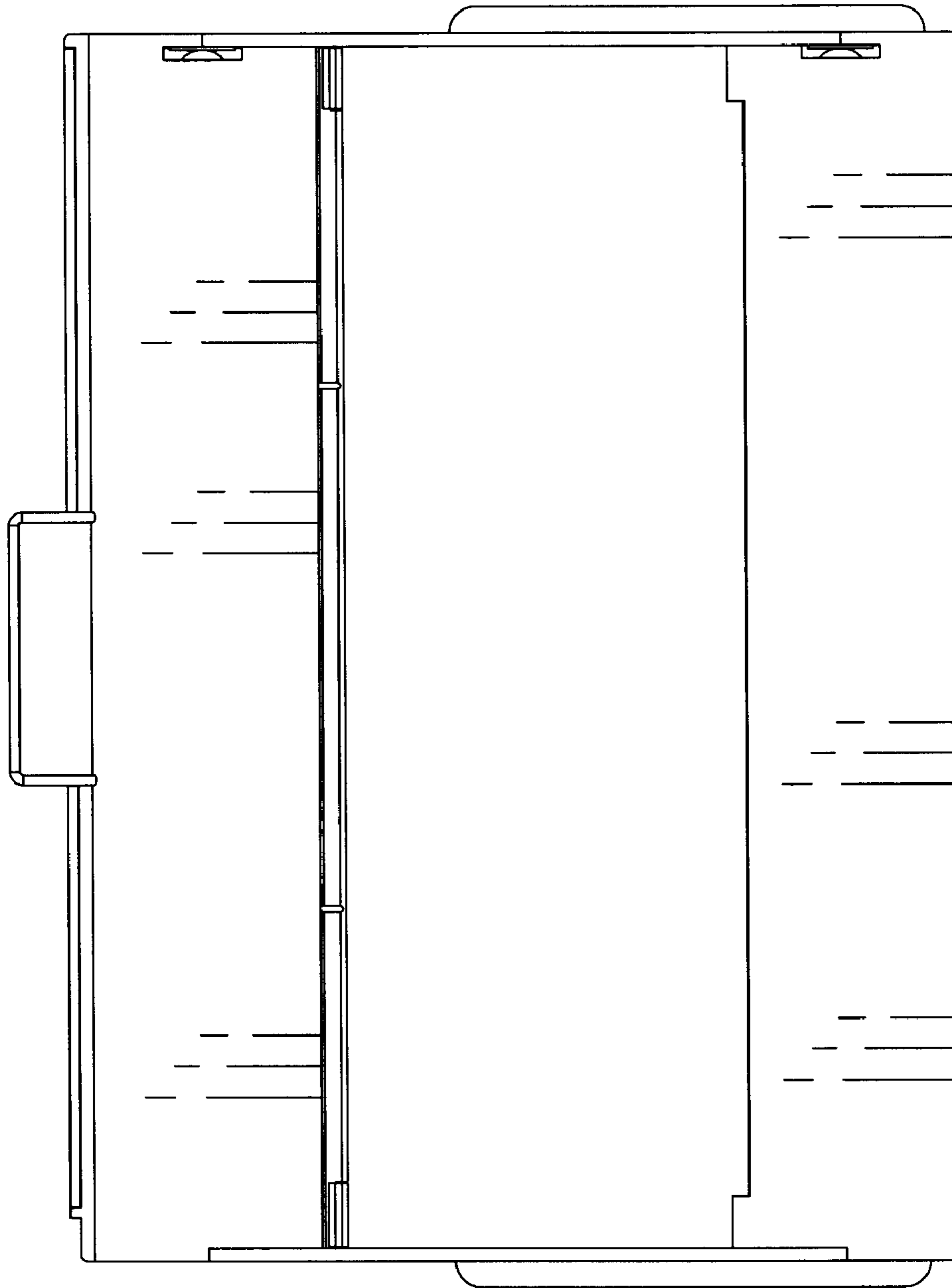


Fig. 7



UNITED STATES PATENT AND TRADEMARK OFFICE  
**CERTIFICATE OF CORRECTION**

PATENT NO. : Des. 523,891 S  
APPLICATION NO. : 29/210838  
DATED : June 27, 2006  
INVENTOR(S) : Chun-Ying Tu

Page 1 of 1

It is certified that error appears in the above-identified patent and that said Letters Patent is hereby corrected as shown below:

On the Title Page, item (73) should read -- Assignee: Hi-Touch Imaging Technologies Co., Ltd --.

Signed and Sealed this

Thirteenth Day of March, 2007

A handwritten signature in black ink on a light gray dotted background. The signature reads "Jon W. Dudas" in a cursive style.

JON W. DUDAS

*Director of the United States Patent and Trademark Office*