



US00D523888S

(12) **United States Design Patent**
Funakoshi

(10) **Patent No.:** **US D523,888 S**

(45) **Date of Patent:** **** Jun. 27, 2006**

(54) **DIGITAL CAMERA**

(75) Inventor: **Yasuo Funakoshi**, Hachioji (JP)

(73) Assignee: **Olympus Imaging Corp.**, Tokyo (JP)

(**) Term: **14 Years**

(21) Appl. No.: **29/221,123**

(22) Filed: **Jan. 11, 2005**

(30) **Foreign Application Priority Data**

Dec. 21, 2004 (JP) 2004-039150

(51) **LOC (8) Cl.** **16-01**

(52) **U.S. Cl.** **D16/202; D16/206**

(58) **Field of Classification Search** D16/200–206,
D16/208, 218; 348/373–376; 358/909.1;
396/535–541

See application file for complete search history.

(56) **References Cited**

U.S. PATENT DOCUMENTS

6,584,285 B1 * 6/2003 Nagata 396/535
D502,195 S * 2/2005 Shimobayashi D16/202
D502,198 S * 2/2005 Choi D16/202

D504,451 S * 4/2005 Hamamura D16/202
D507,586 S * 7/2005 Nakamura D16/202
D513,027 S * 12/2005 Katayama D16/202

* cited by examiner

Primary Examiner—Adir Aronovich

(74) *Attorney, Agent, or Firm*—Hogan & Hartson, LLP

(57) **CLAIM**

The ornamental design for a digital camera, as shown and described.

DESCRIPTION

FIG. 1 is a front, top and left side perspective view of a digital camera, showing my new design;

FIG. 2 is a front, top and left side perspective view thereof with a lens barrel in an extended state;

FIG. 3 is a rear, top and left side perspective view thereof;

FIG. 4 is a front elevational view thereof;

FIG. 5 is a rear elevational view thereof;

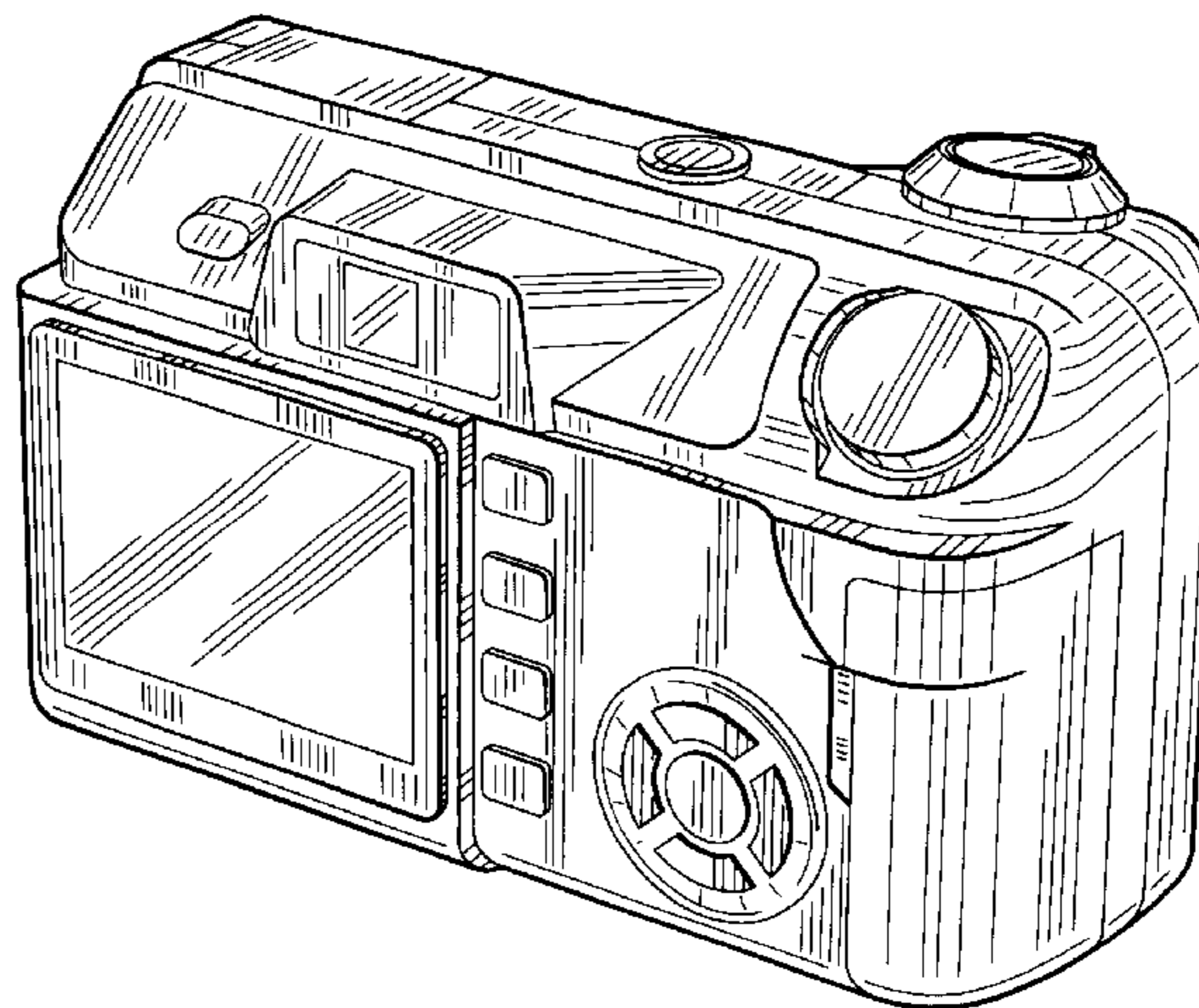
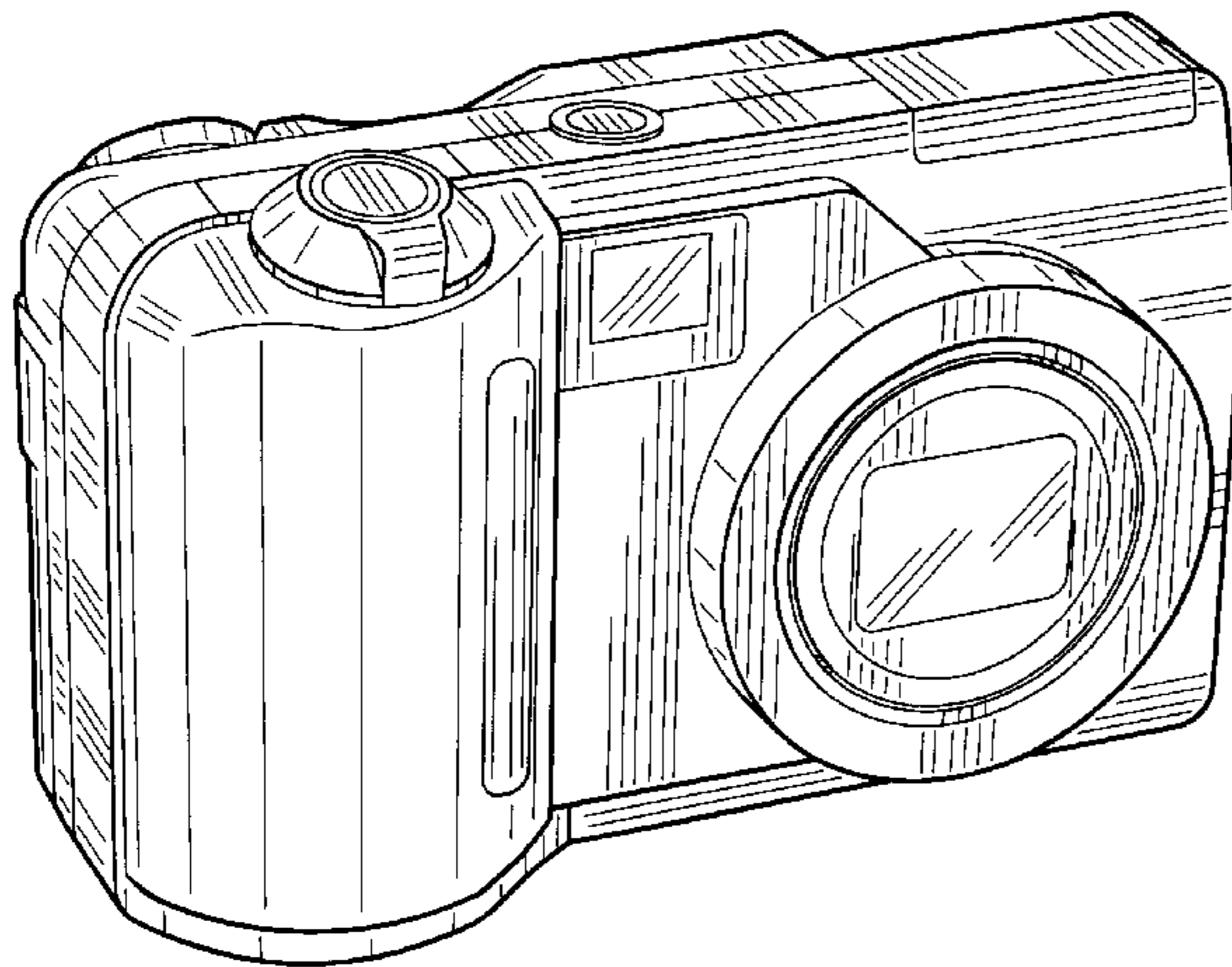
FIG. 6 is a top plan view thereof;

FIG. 7 is a bottom plan view thereof;

FIG. 8 is a right side elevational view thereof; and,

FIG. 9 is a left side elevational view thereof.

1 Claim, 5 Drawing Sheets



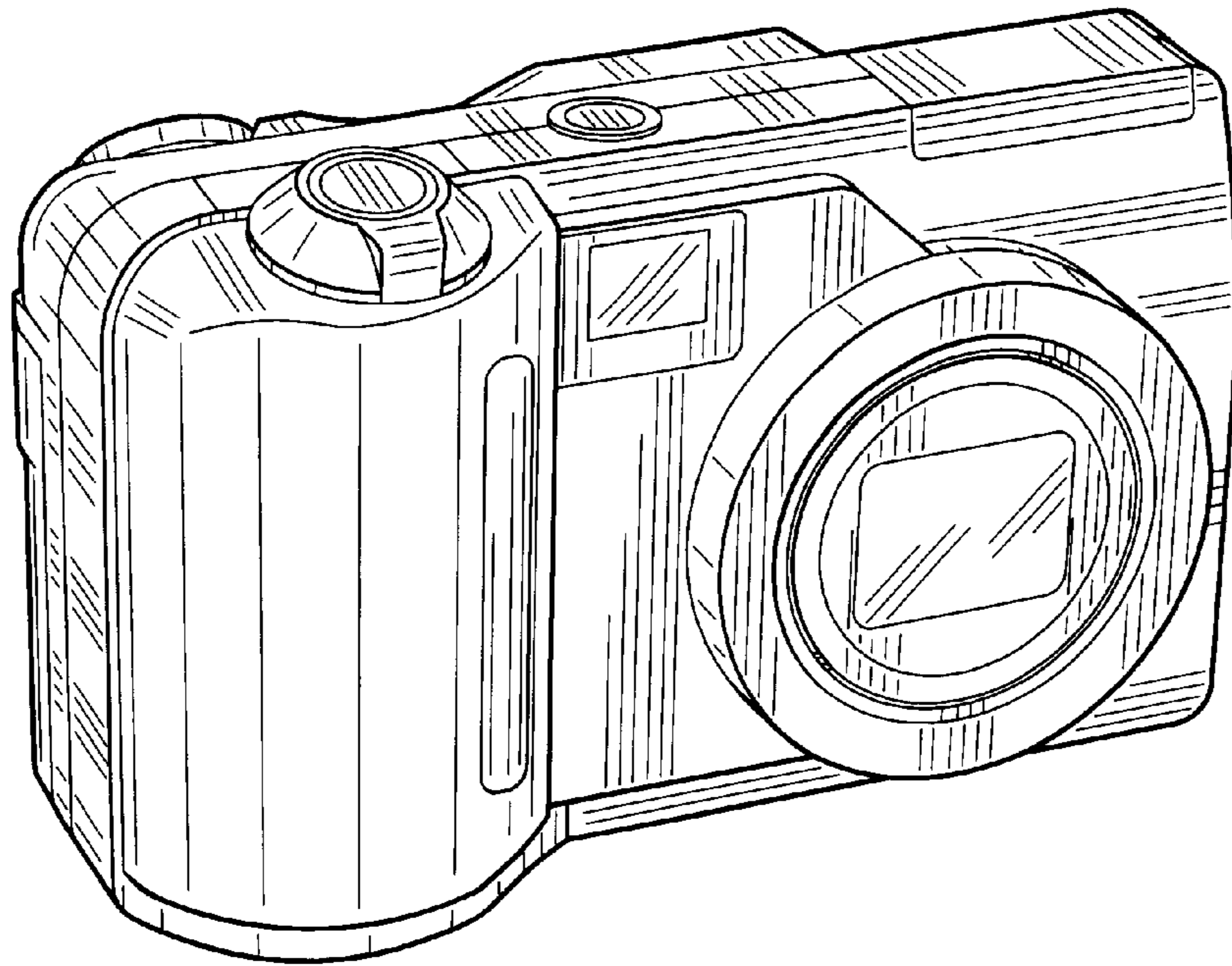


Fig.1

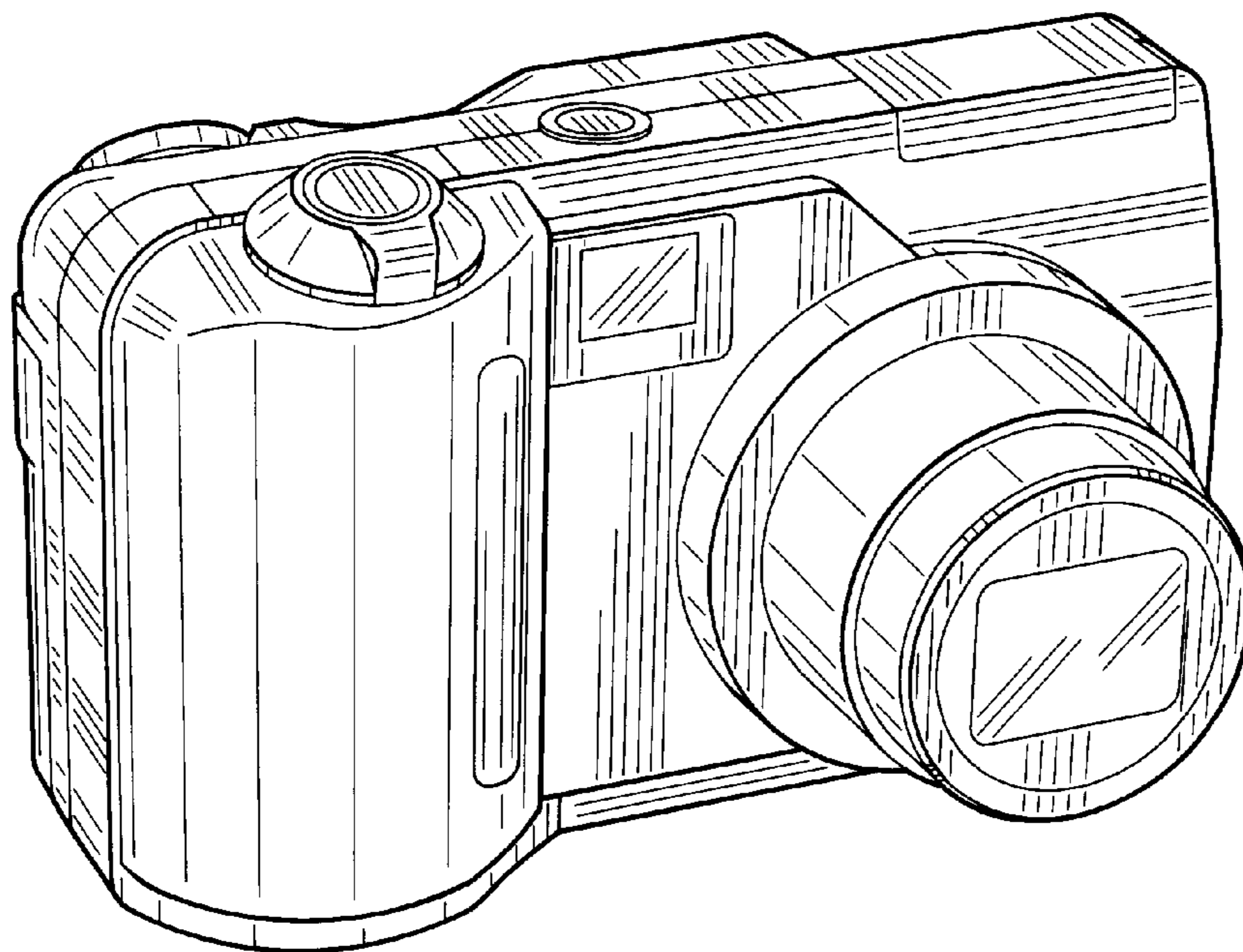


Fig.2

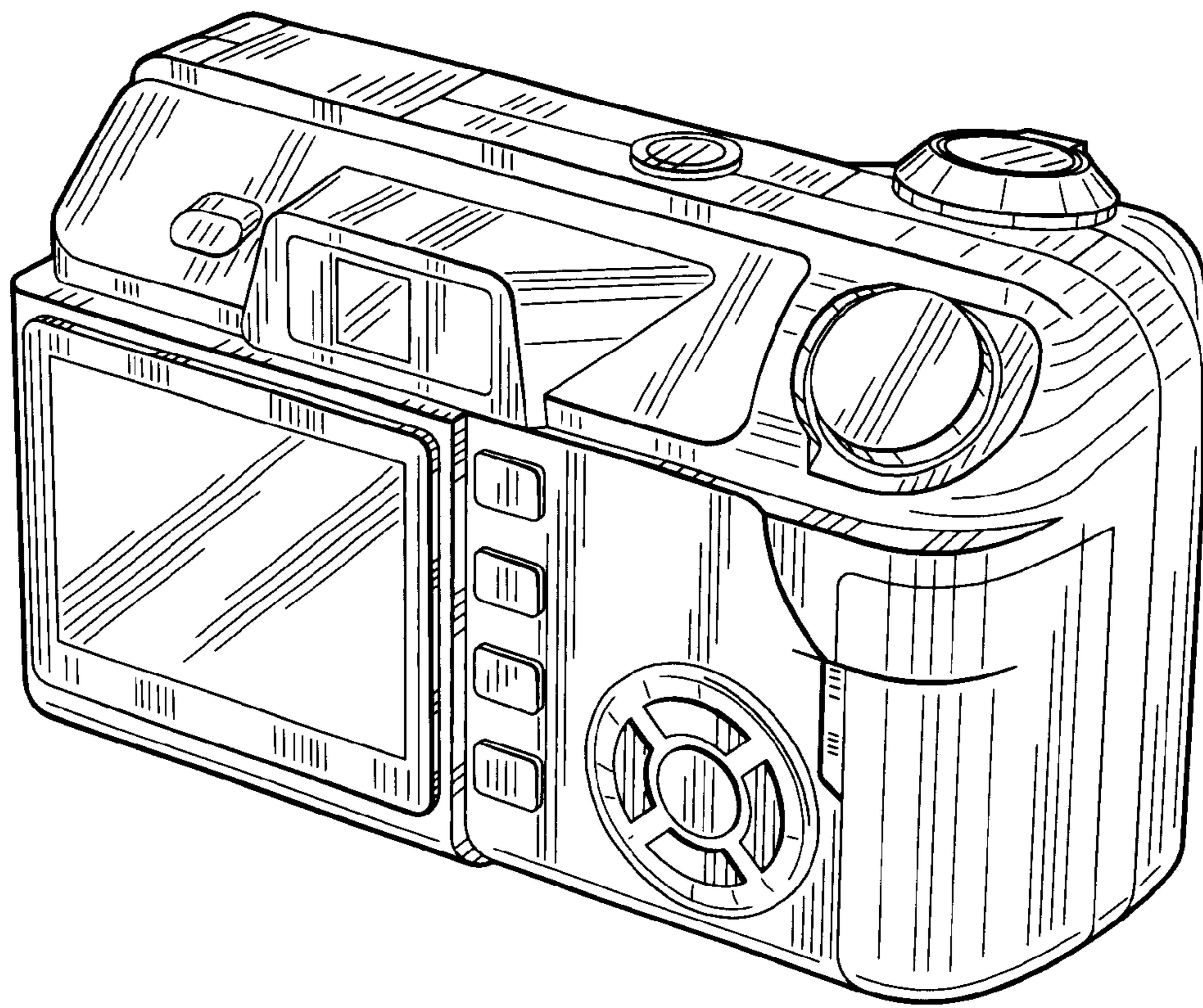


Fig.3

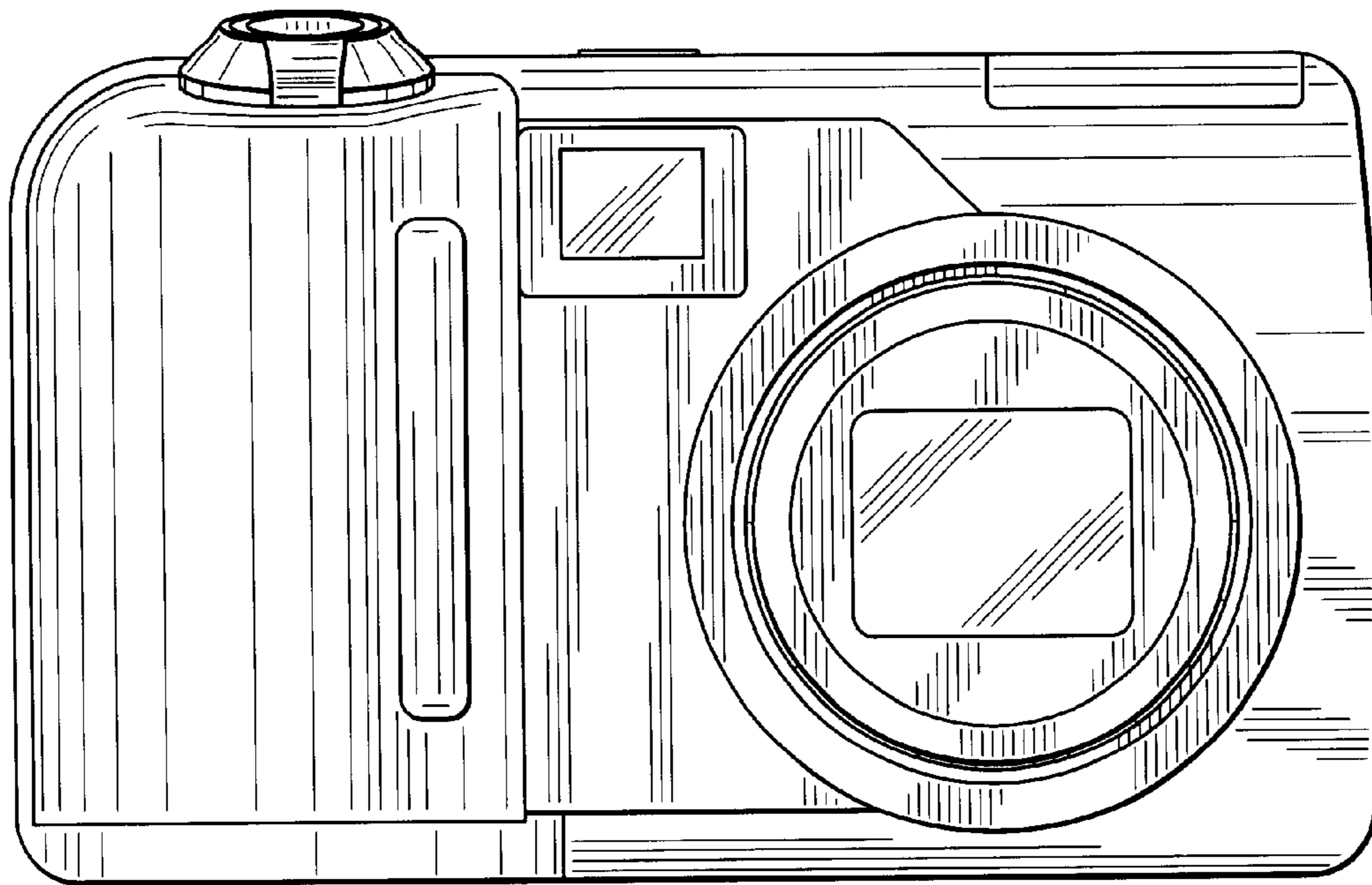


Fig.4

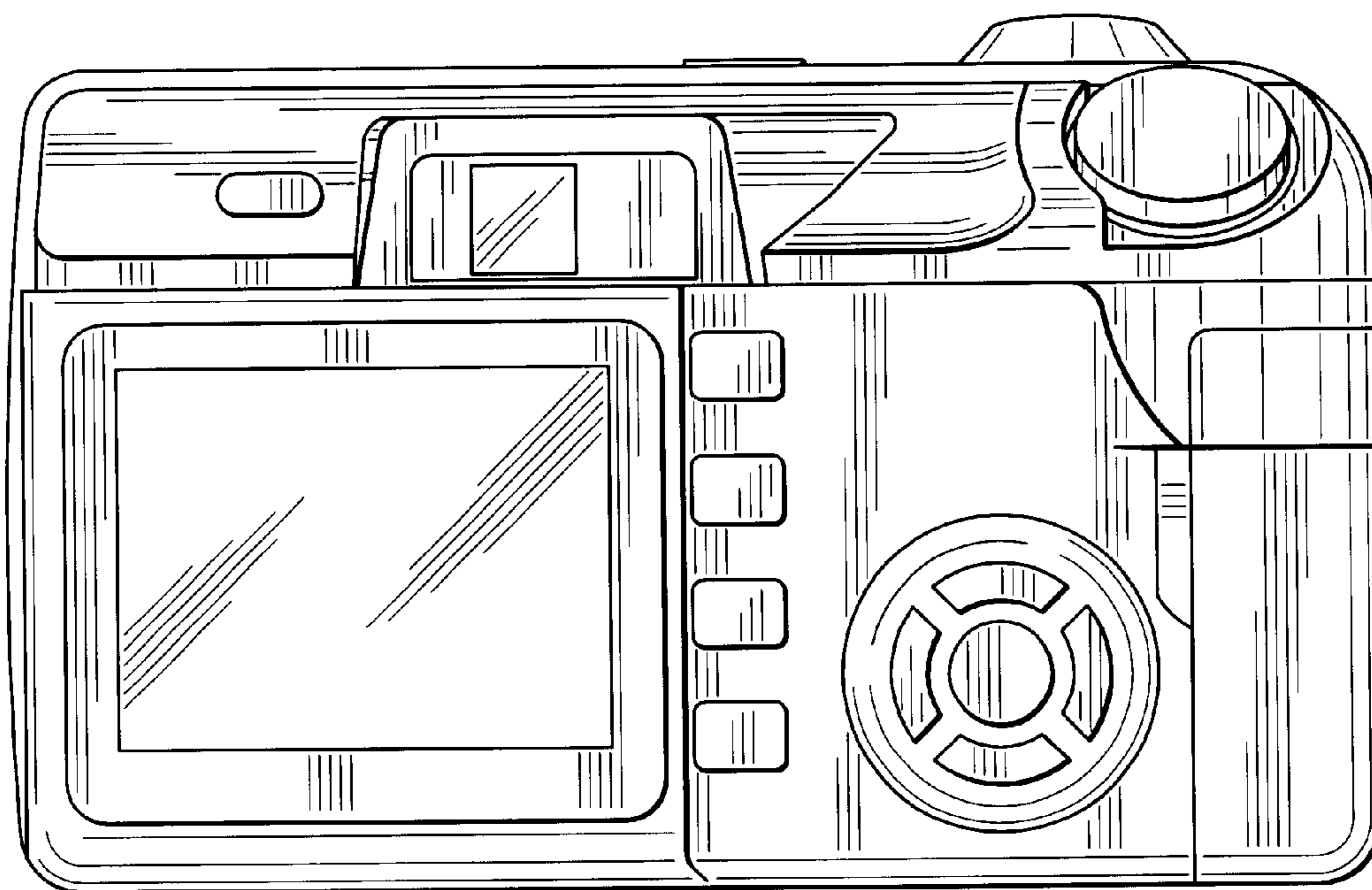


Fig.5

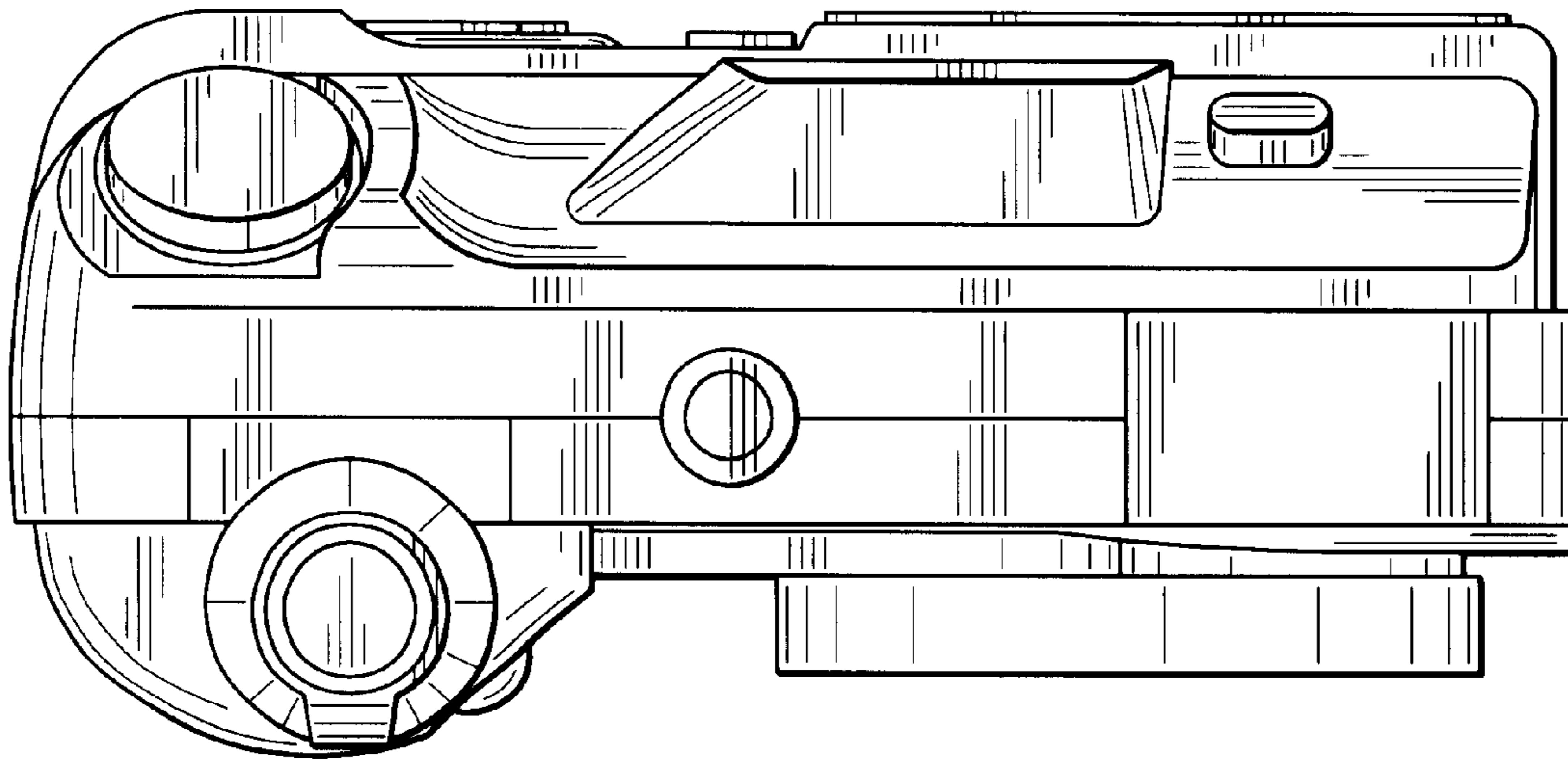


Fig.6

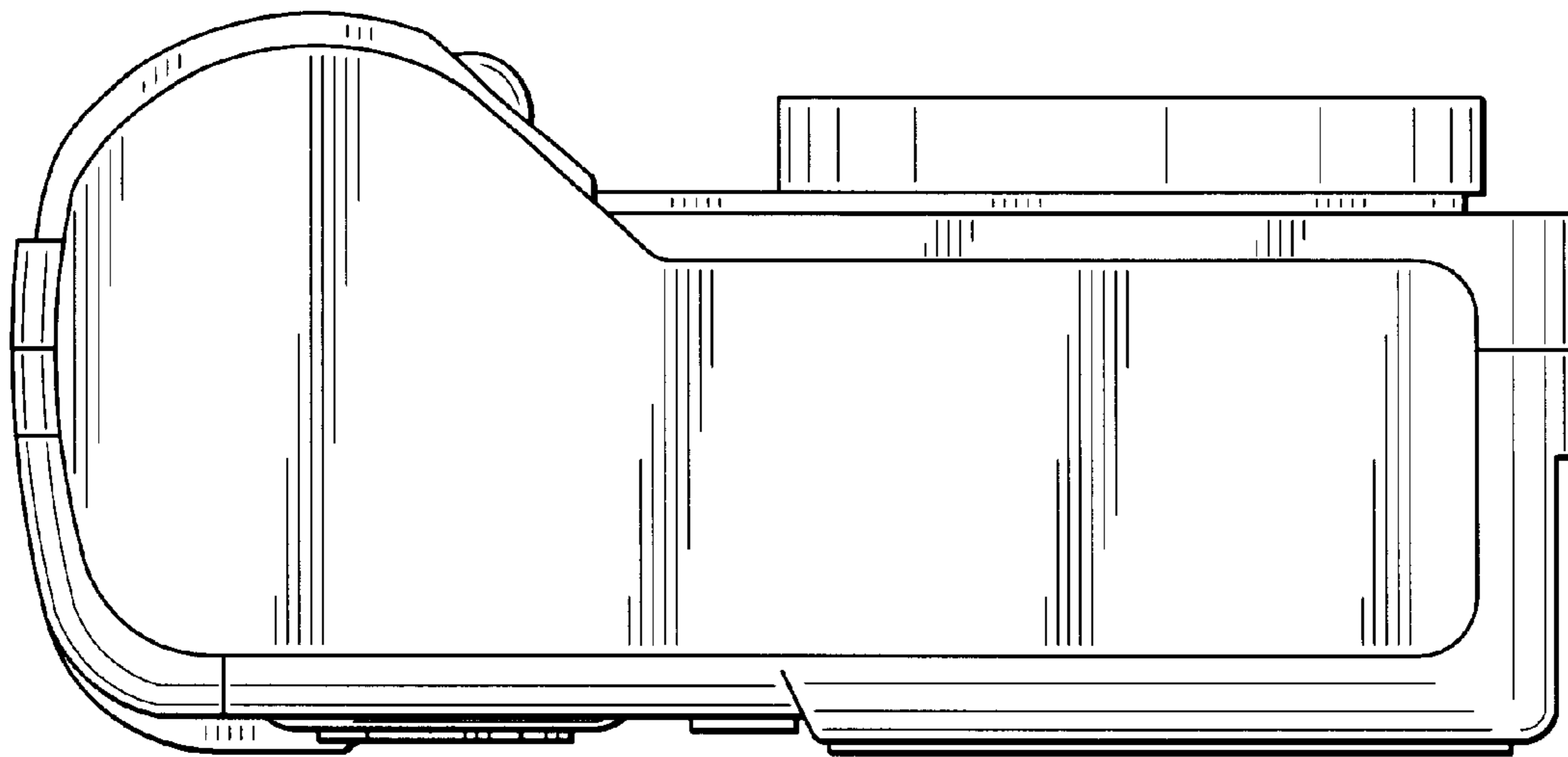


Fig.7

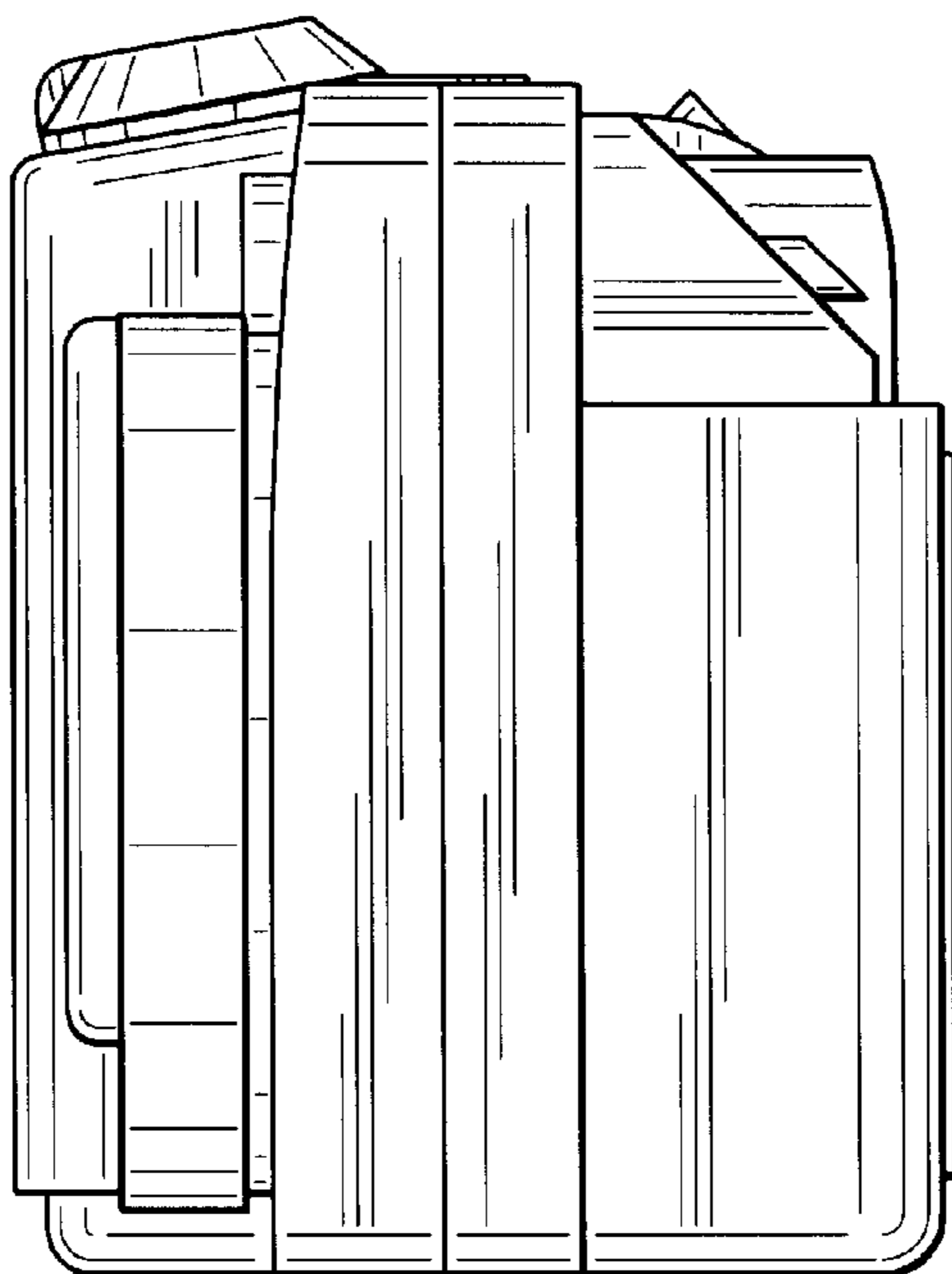


Fig.8

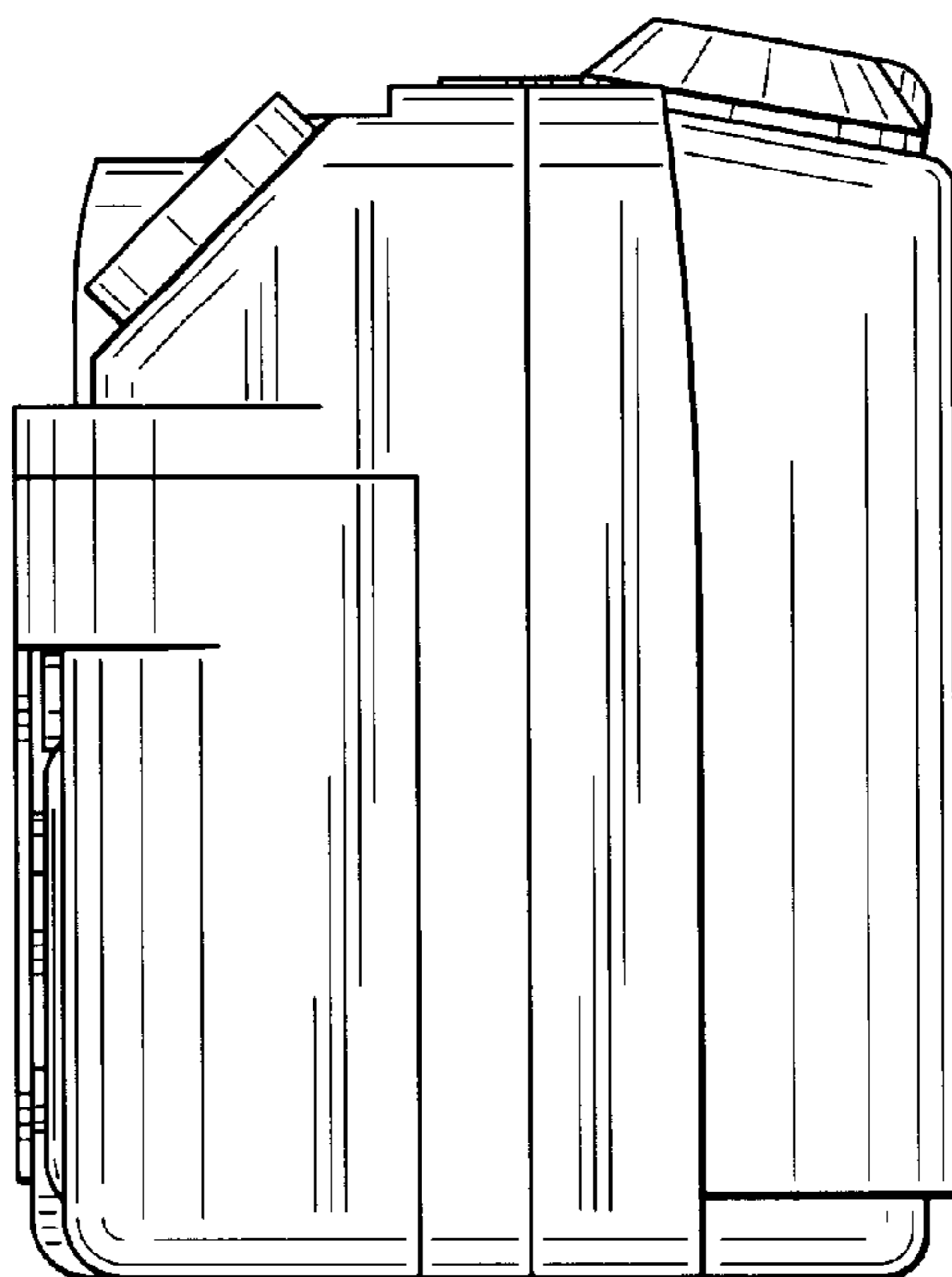


Fig.9