



US00D523886S

(12) **United States Design Patent**
Wen et al.

(10) **Patent No.:** **US D523,886 S**
(45) **Date of Patent:** **** Jun. 27, 2006**

(54) **WEB CAMERA**

(75) Inventors: **Hsin-Hua Wen**, Tu-Chen (TW);
Tsung-Hsi Li, Tu-Chen (TW)

(73) Assignee: **Hon Hai Precision Ind. Co., Ltd.**,
Taipei Hsien (TW)

(**) Term: **14 Years**

(21) Appl. No.: **29/220,426**

(22) Filed: **Dec. 29, 2004**

(30) **Foreign Application Priority Data**

Nov. 6, 2004 (CN) 2004 3 009217

(51) **LOC (8) Cl.** **16-01**

(52) **U.S. Cl.** **D16/202; D16/203**

(58) **Field of Classification Search** D16/200-205,
D16/208, 218; 348/14.01-14.1, 143, 151,
348/373-376; 358/906; 396/427, 428, 535-541
See application file for complete search history.

(56) **References Cited**

U.S. PATENT DOCUMENTS

D339,817 S * 9/1993 Fukuda et al. D16/230
5,438,357 A * 8/1995 McNelley 348/14.1
D418,853 S * 1/2000 Kubota D16/203

D434,057 S * 11/2000 Whitby et al. D16/202
D446,535 S * 8/2001 Chang D16/203
D474,794 S * 5/2003 Ogura D16/203
D484,160 S * 12/2003 Kangasmaa D16/203
D508,933 S * 8/2005 Kaneda D16/203

* cited by examiner

Primary Examiner—Adir Aronovich

(74) *Attorney, Agent, or Firm*—Wei Te Chung

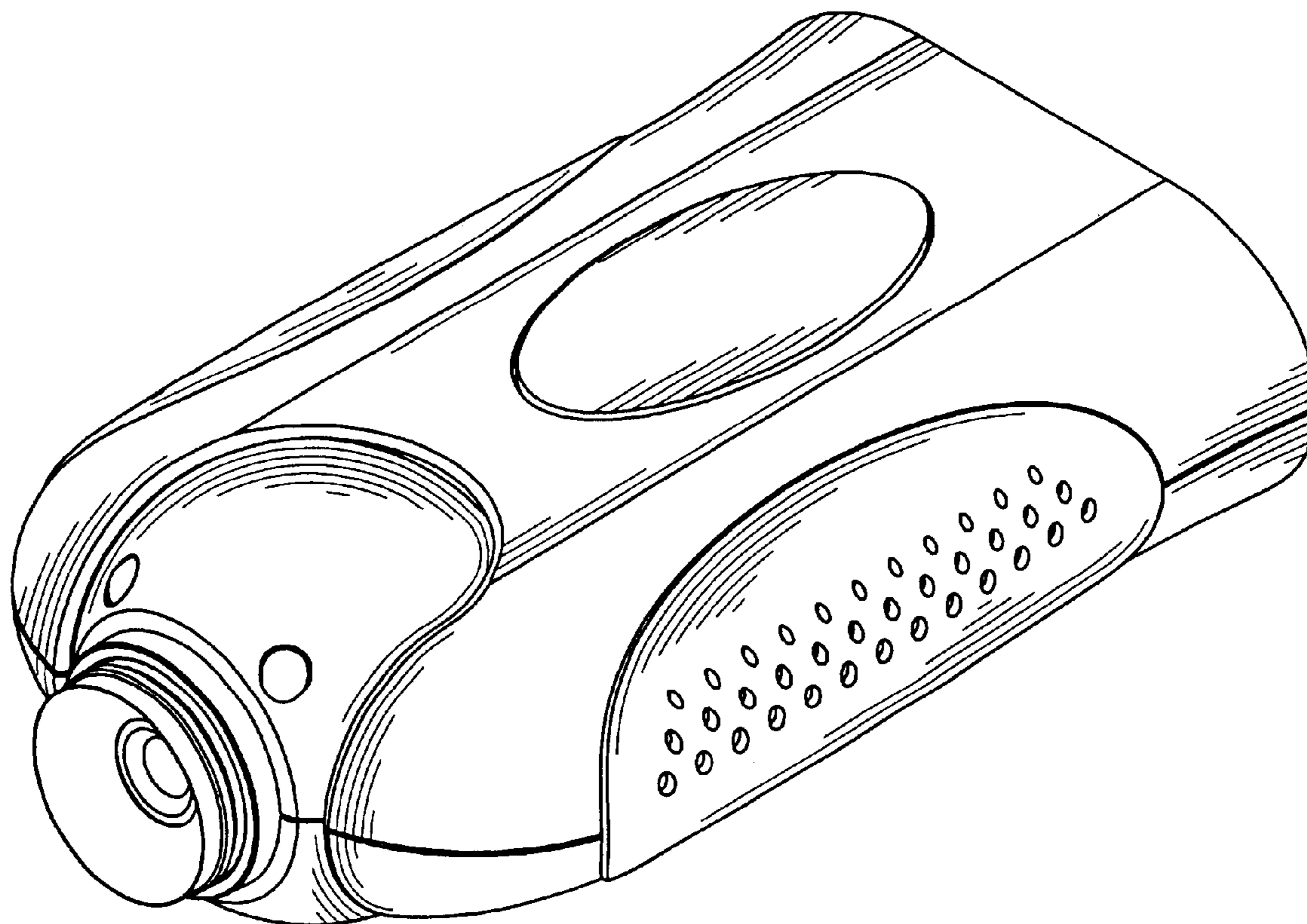
(57) **CLAIM**

The ornamental design for a web camera, as shown and described.

DESCRIPTION

FIG. 1 is a perspective view of a web camera of our new design;
FIG. 2 is a front elevational view thereof;
FIG. 3 is a rear elevational view thereof;
FIG. 4 is a left side elevational view thereof;
FIG. 5 is a right side elevational view thereof;
FIG. 6 is a top plan view thereof;
FIG. 7 is a bottom plan view thereof; and,
FIG. 8 is a perspective view showing the camera in a using state, the components shown in broken lines are for illustrative purposes only and form no part of the claimed design.

1 Claim, 6 Drawing Sheets



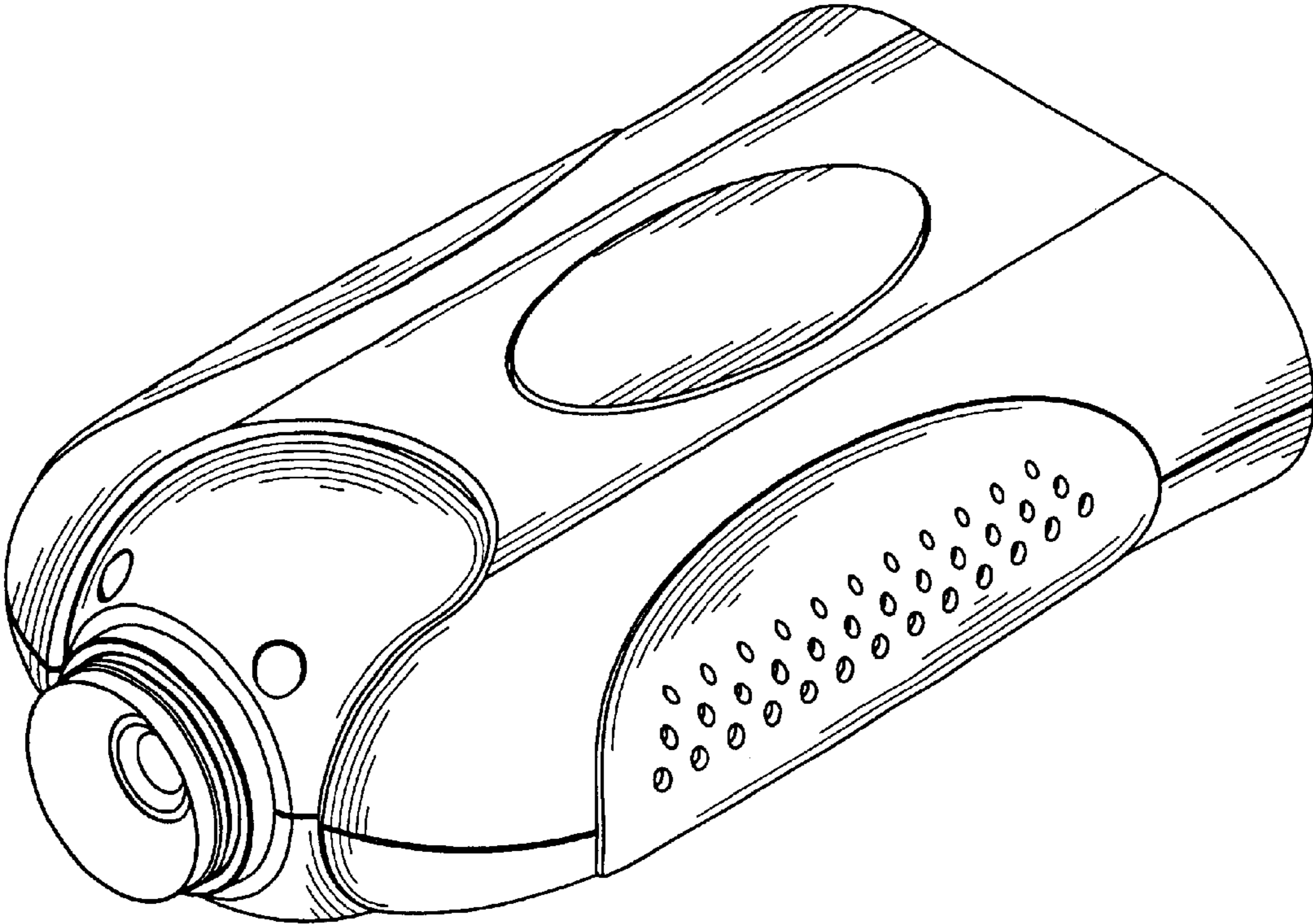


FIG. 1

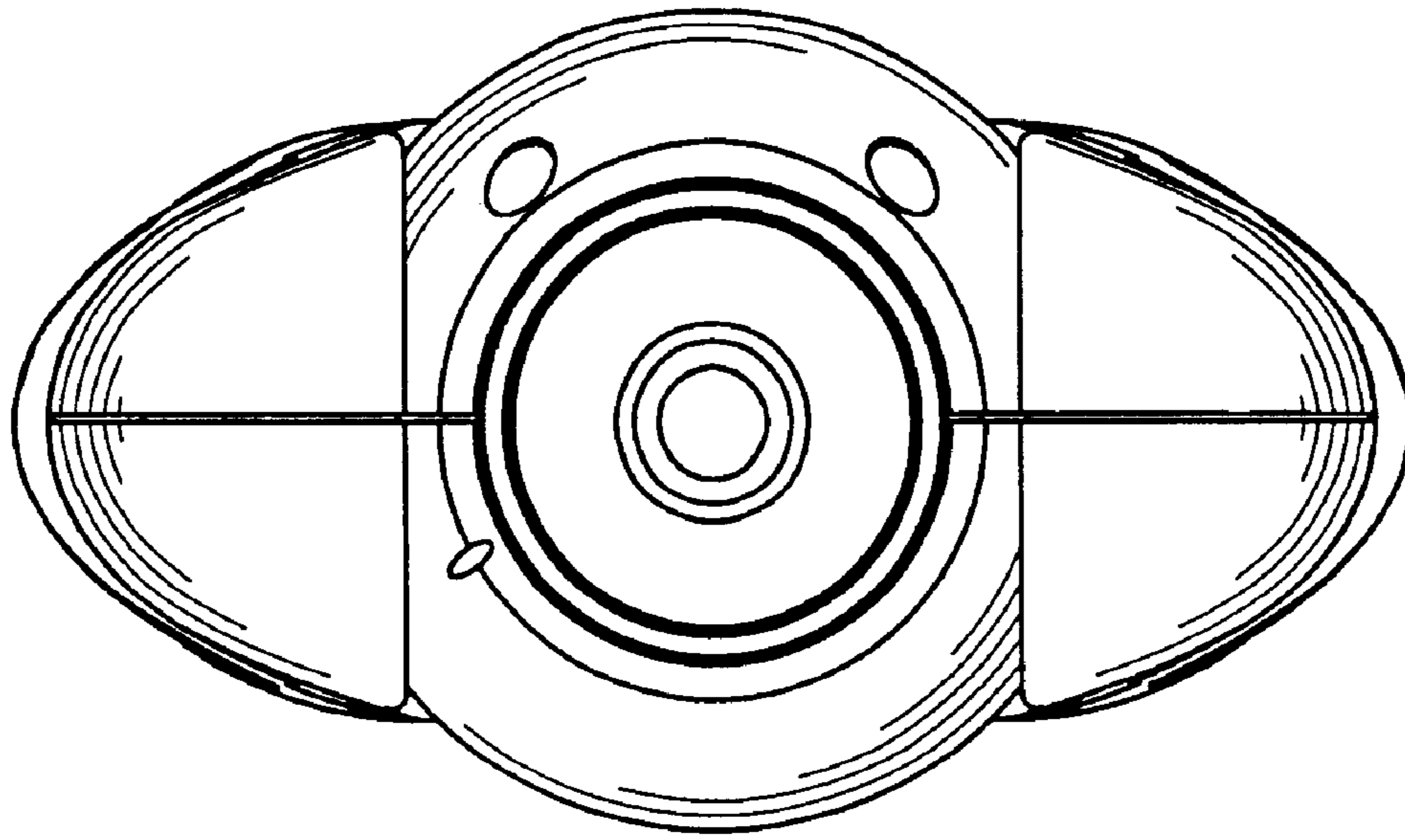


FIG. 2

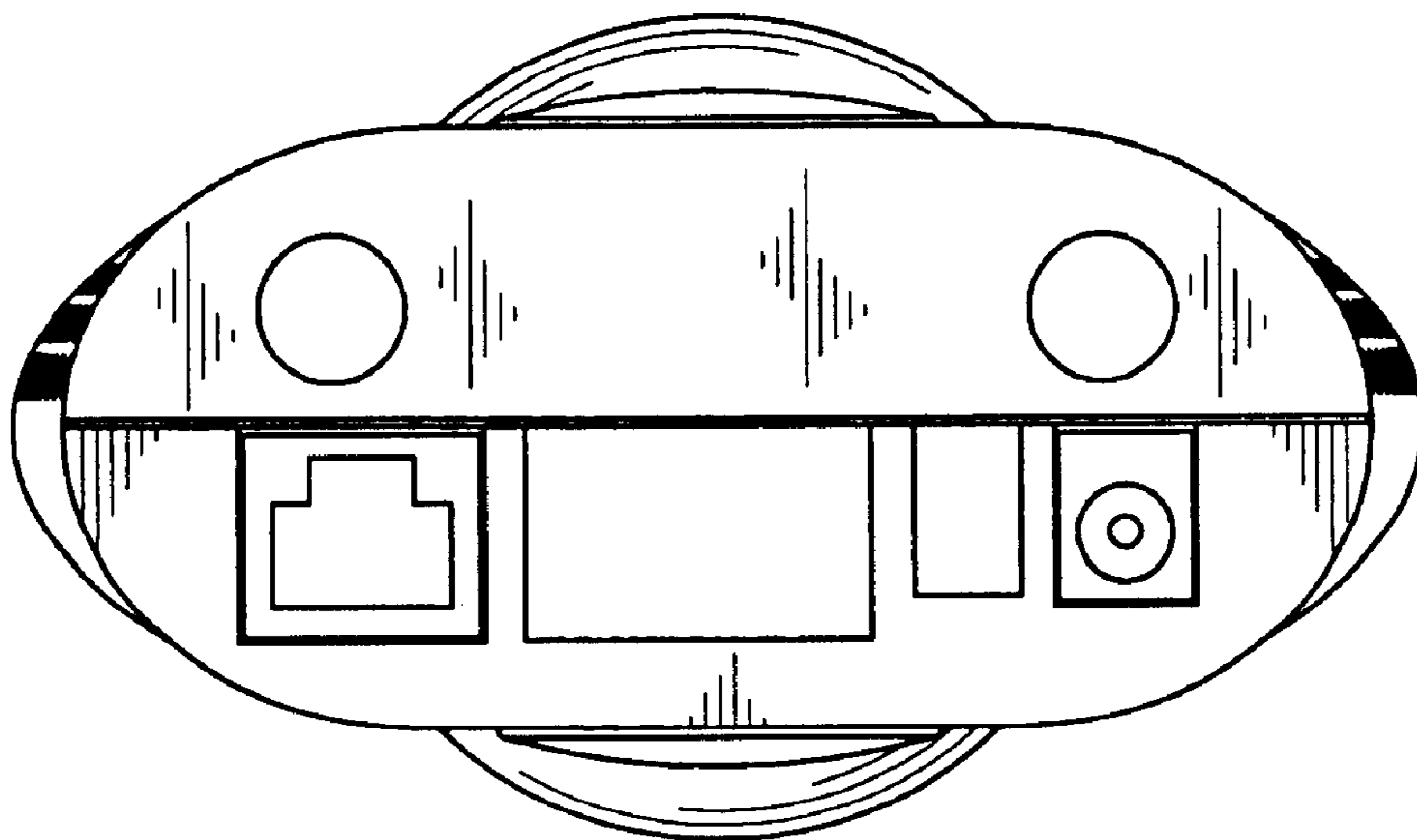


FIG. 3

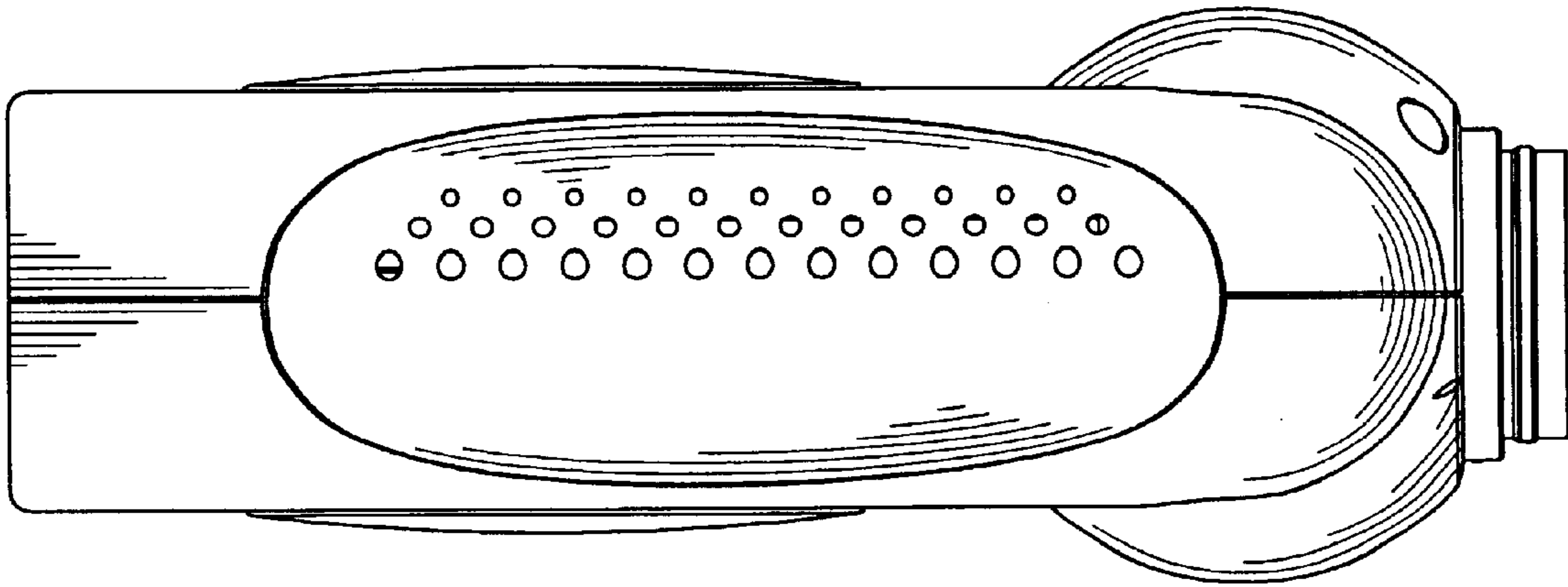


FIG. 4

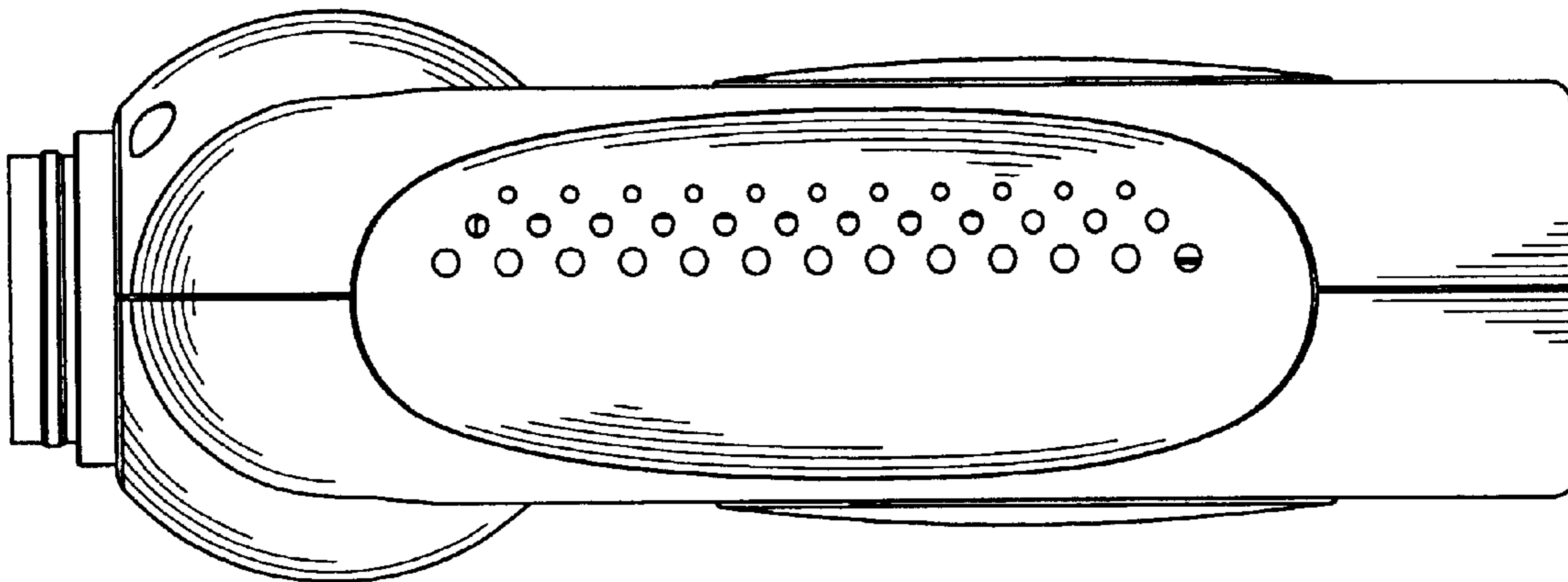


FIG. 5

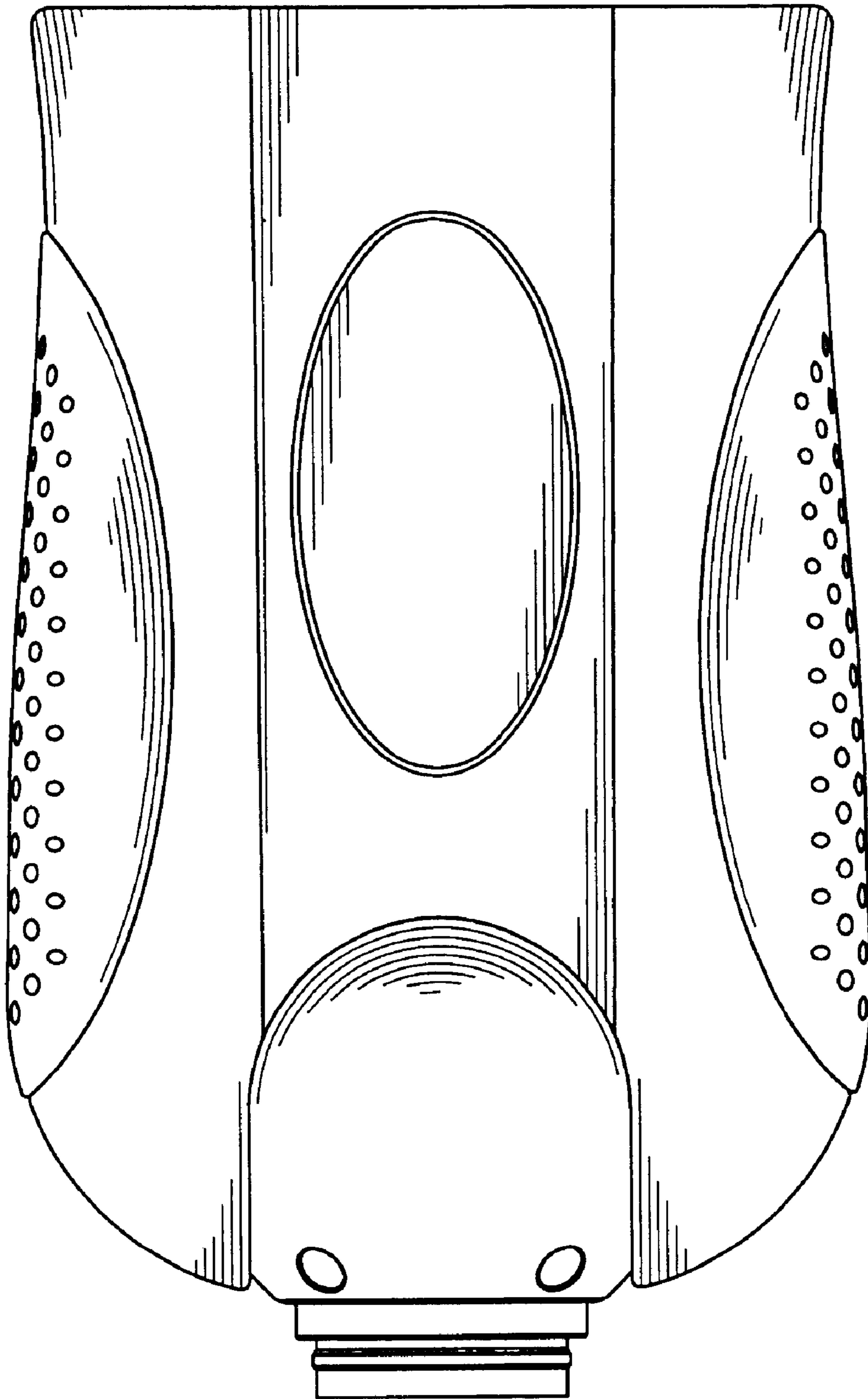


FIG. 6

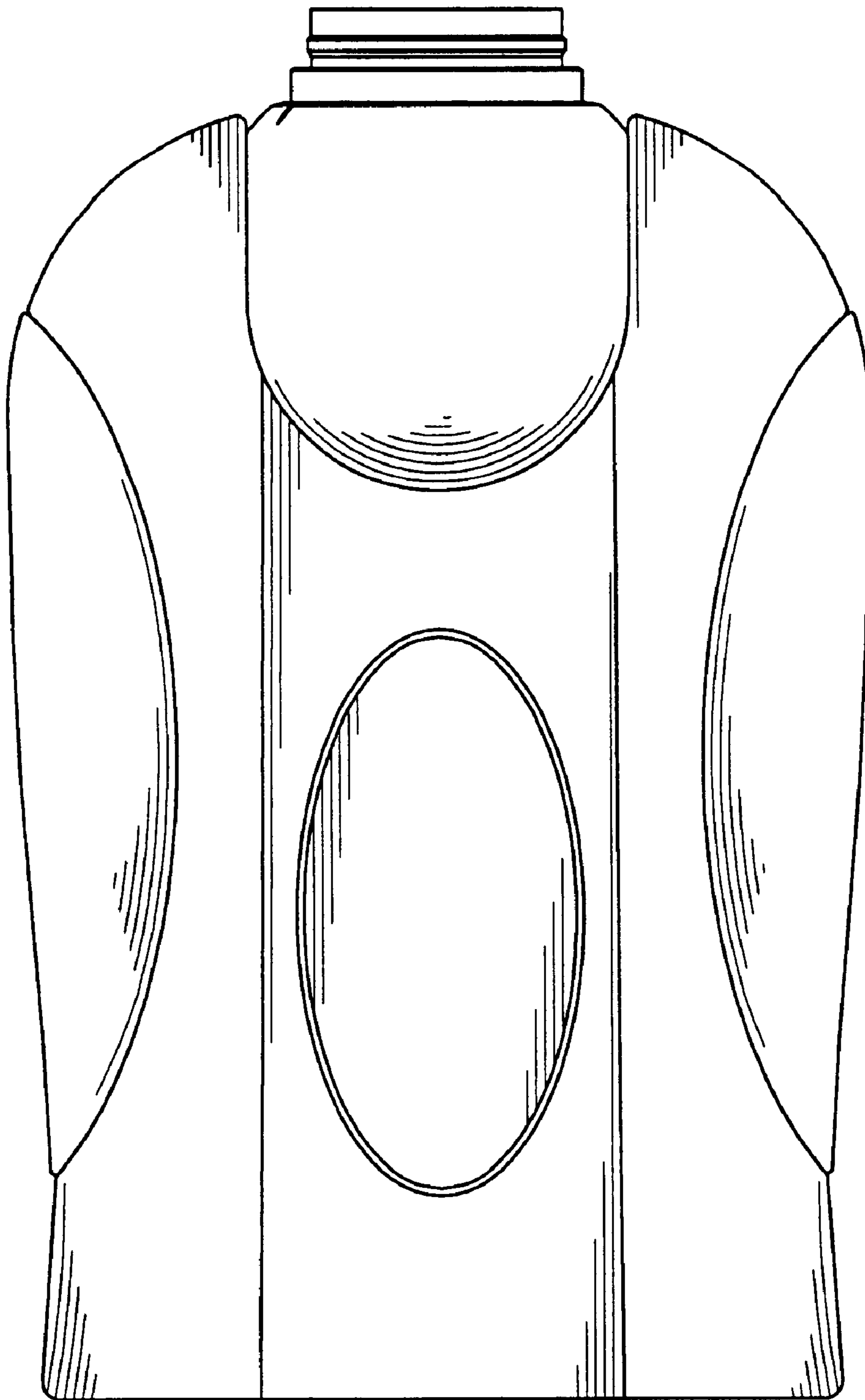


FIG. 7

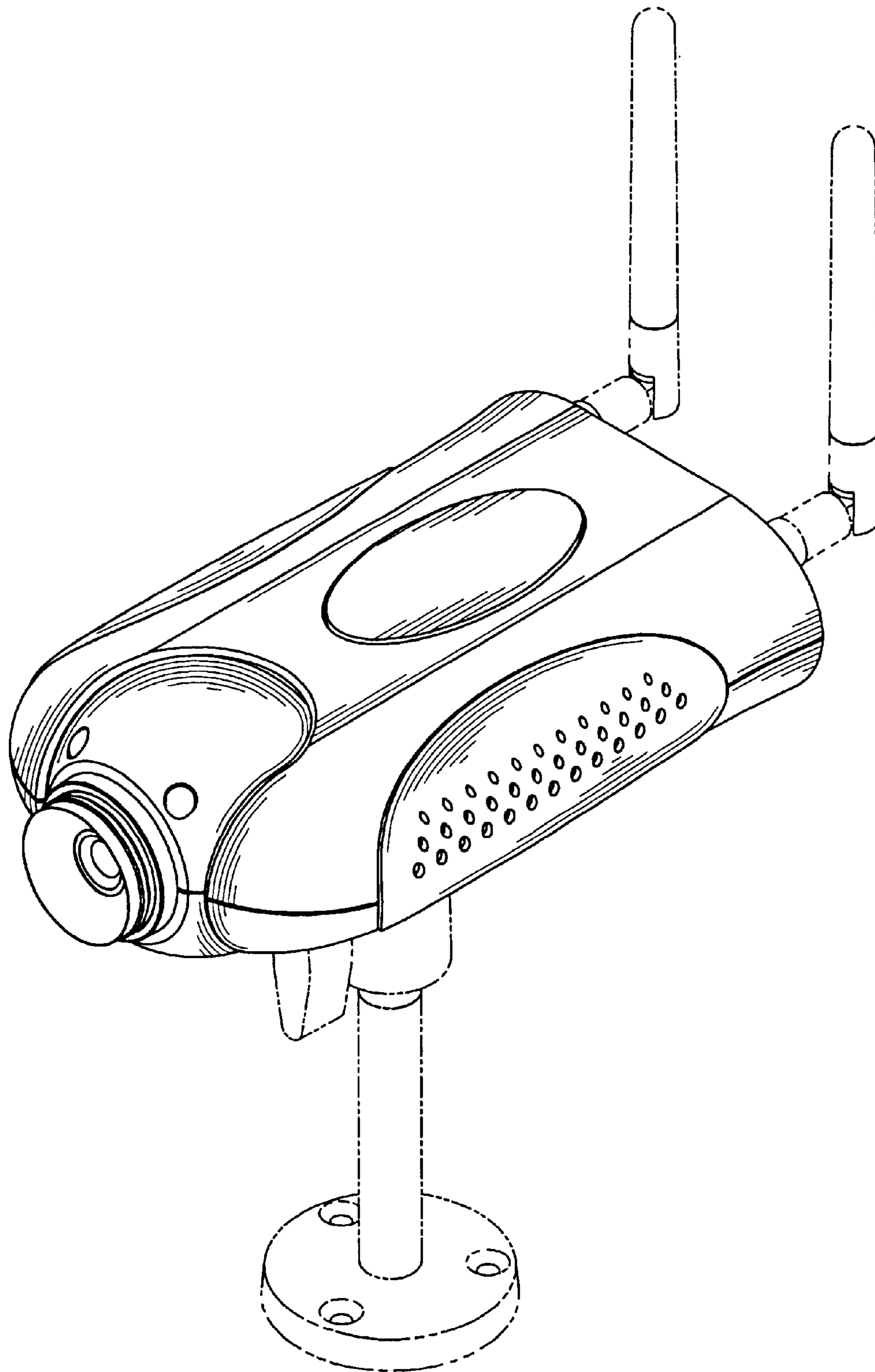


FIG. 8